

US00D508115S

(12) **United States Design Patent** (10) **Patent No.:** **US D508,115 S**
Sutopo (45) **Date of Patent:** **** Aug. 2, 2005**

- (54) **SINK**
- (75) Inventor: **Elise A. Sutopo**, Sheboygan, WI (US)
- (73) Assignee: **Kohler Co.**, Kohler, WI (US)
- (**) Term: **14 Years**
- (21) Appl. No.: **29/216,579**
- (22) Filed: **Nov. 5, 2004**
- (51) **LOC (8) Cl.** **23-02**
- (52) **U.S. Cl.** **D23/293.1**
- (58) **Field of Search** D23/270–273,
D23/284–290, 293.1, 303, 308; 4/661–666,
619, 624, 630, 519, 638, 643, 515, 631,
637, 639–642

(56) **References Cited**

U.S. PATENT DOCUMENTS

D206,048 S	*	10/1966	Armstrong	D23/290
D297,163 S	*	8/1988	Blanc et al.	D23/290
D319,301 S	*	8/1991	Ris	D23/290
D393,699 S	*	4/1998	Bonnell	D23/284
D455,200 S		4/2002	Marshall		
D467,649 S		12/2002	Ris		

OTHER PUBLICATIONS

- Blancoamerica website page, Blancowave 1¾, dated Dec. 3, 2003, item 510–882.
- Blancoamerica website page, Blancowave 1¾ reverse, dated Dec. 3, 2003, item 510 882R.
- Franke website page, Prestige Classic/Plus Left Hand PCX/PRX–160–LH, dated Dec. 3, 2003.
- Kohler catalog p. 16.36, Cast Iron Kitchen Sinks, Self–Rimming or Undercounter Iron/Tones.
- Kohler catalog p. 14.7, Vessels Lavatories, “Watercove” and “Conical Bell”.

* cited by examiner

Primary Examiner—Robert A. Delehanty

(74) *Attorney, Agent, or Firm*—Quarles & Brady LLP

(57) **CLAIM**

The ornamental design for a sink, as shown and described.

DESCRIPTION

In a preferred embodiment, the nature of this product is as a plumbing fixture in the form of a sink which is primarily useful for washing kitchen items.

FIG. 1 is a right, top, front perspective view of a sink embodying my new design;

FIG. 2 is a top plan view thereof;

FIG. 3 is a front elevational view thereof;

FIG. 4 is a right side elevational view thereof;

FIG. 5 is a rear elevational view thereof;

FIG. 6 is a left side elevational view thereof;

FIG. 7 is a bottom plan view thereof;

FIG. 8 is a left, top, front perspective view of another embodiment of my new design, the front, left side, rear and right side elevational views thereof being mirror images of FIGS. 3–6, respectively, and the bottom plan view thereof being a mirror image of FIG. 7;

FIG. 9 is top plan view thereof;

FIG. 10 is a right, top, front perspective view of another embodiment of my new design;

FIG. 11 is a top plan view thereof;

FIG. 12 is a front elevational view thereof;

FIG. 13 is a right side elevational view thereof;

FIG. 14 is a left side elevational view thereof;

FIG. 15 is a rear elevational view thereof;

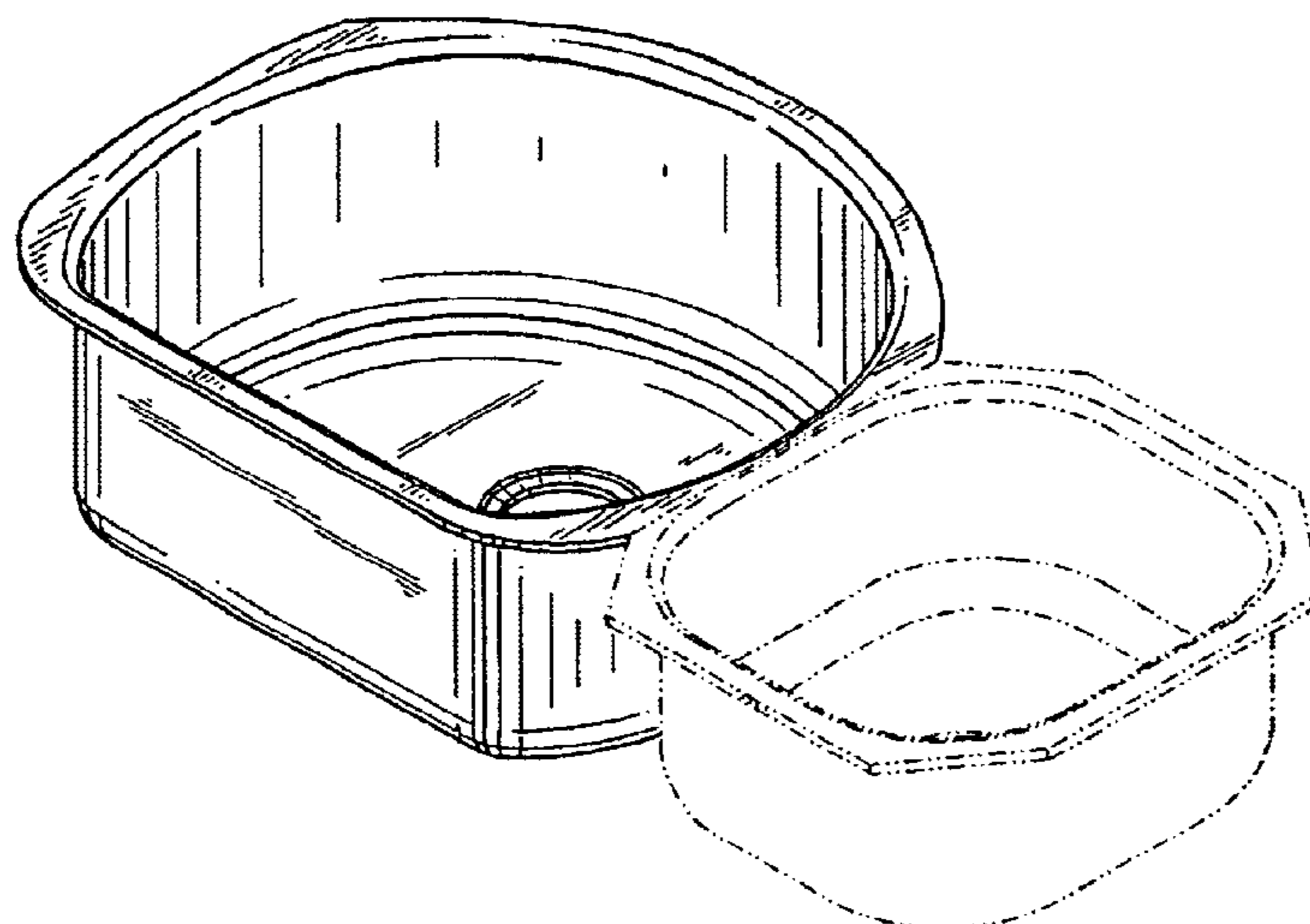
FIG. 16 is a bottom view thereof;

FIG. 17 is a left, top, front perspective view of another embodiment of my new design, the front, left side, right side and rear elevational views thereof being mirror images of FIGS. 12–15, respectively, and the bottom plan view thereof being a mirror image of FIG. 16; and,

FIG. 18 is a top plan view thereof.

The broken line representations of adjacent sink environment in FIGS. 1–5, 7–13 and 15–18 are for the purpose of illustration only, and form no part of the claimed design.

1 Claim, 8 Drawing Sheets



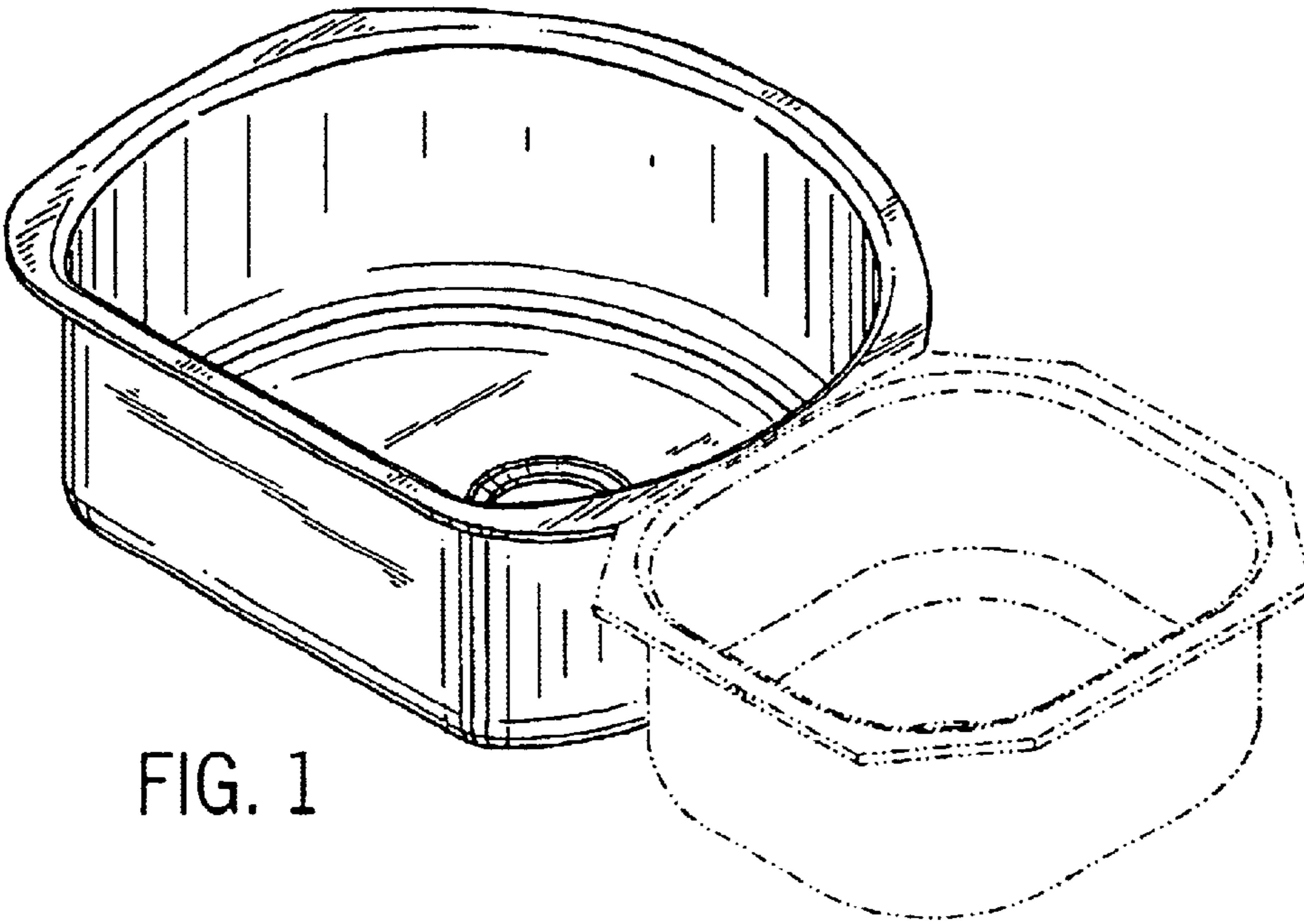


FIG. 1

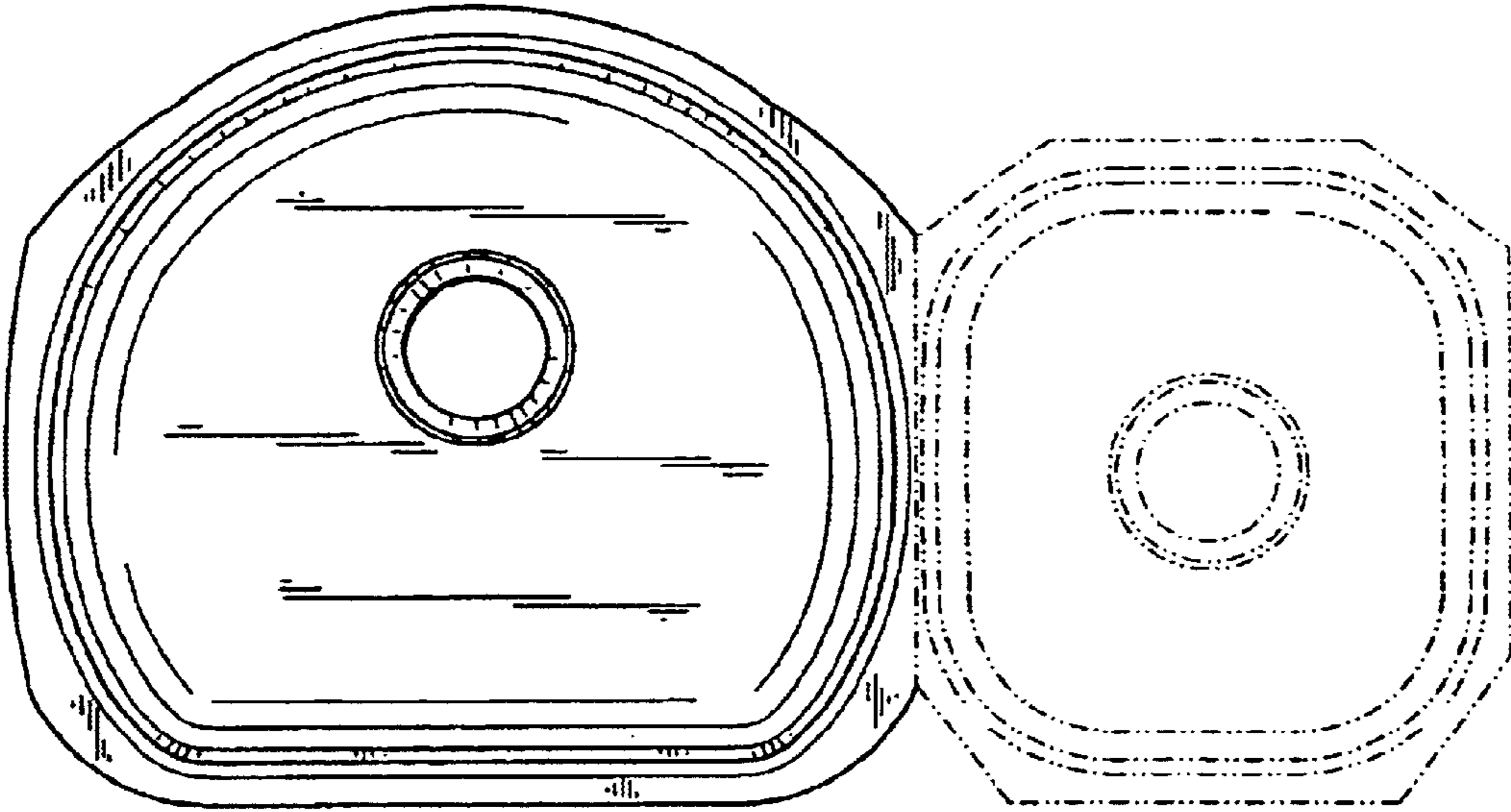


FIG. 2

FIG. 3

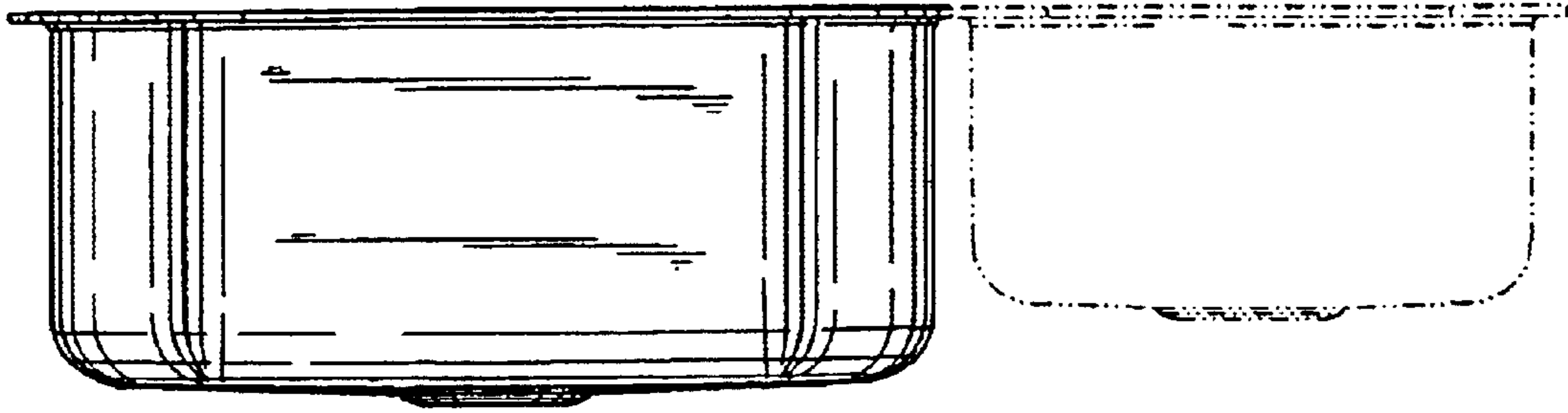


FIG. 4

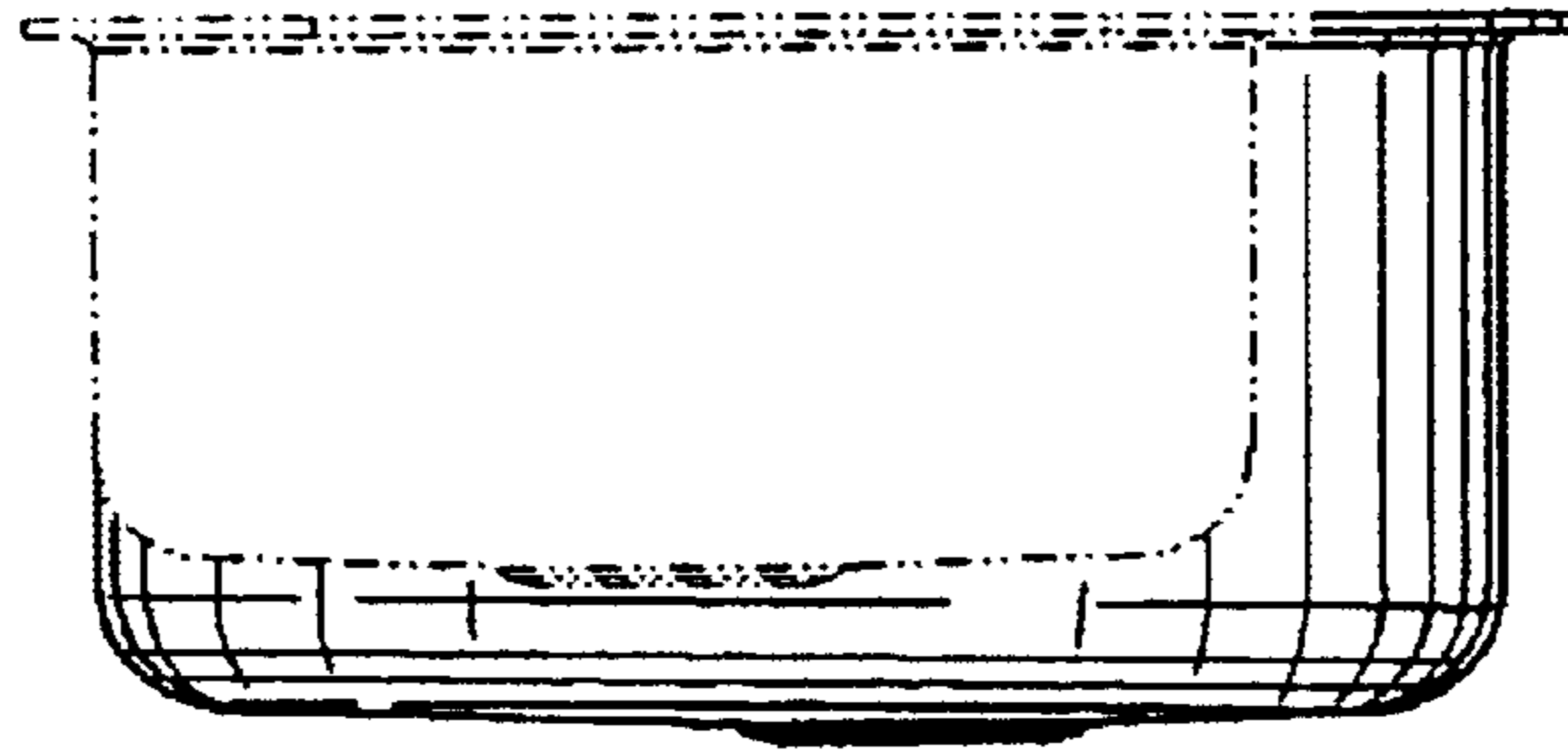


FIG. 5

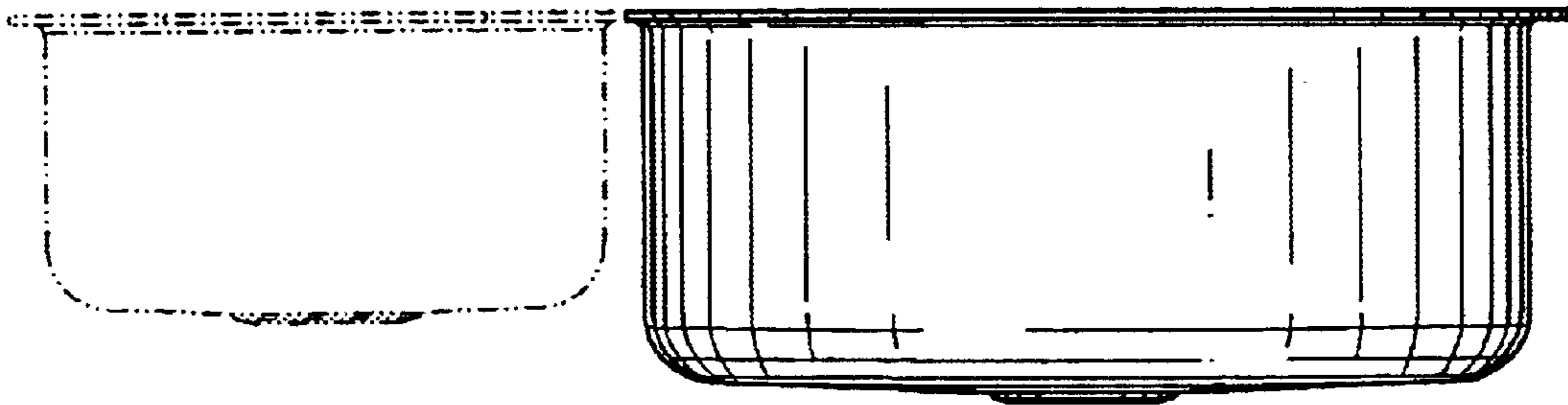
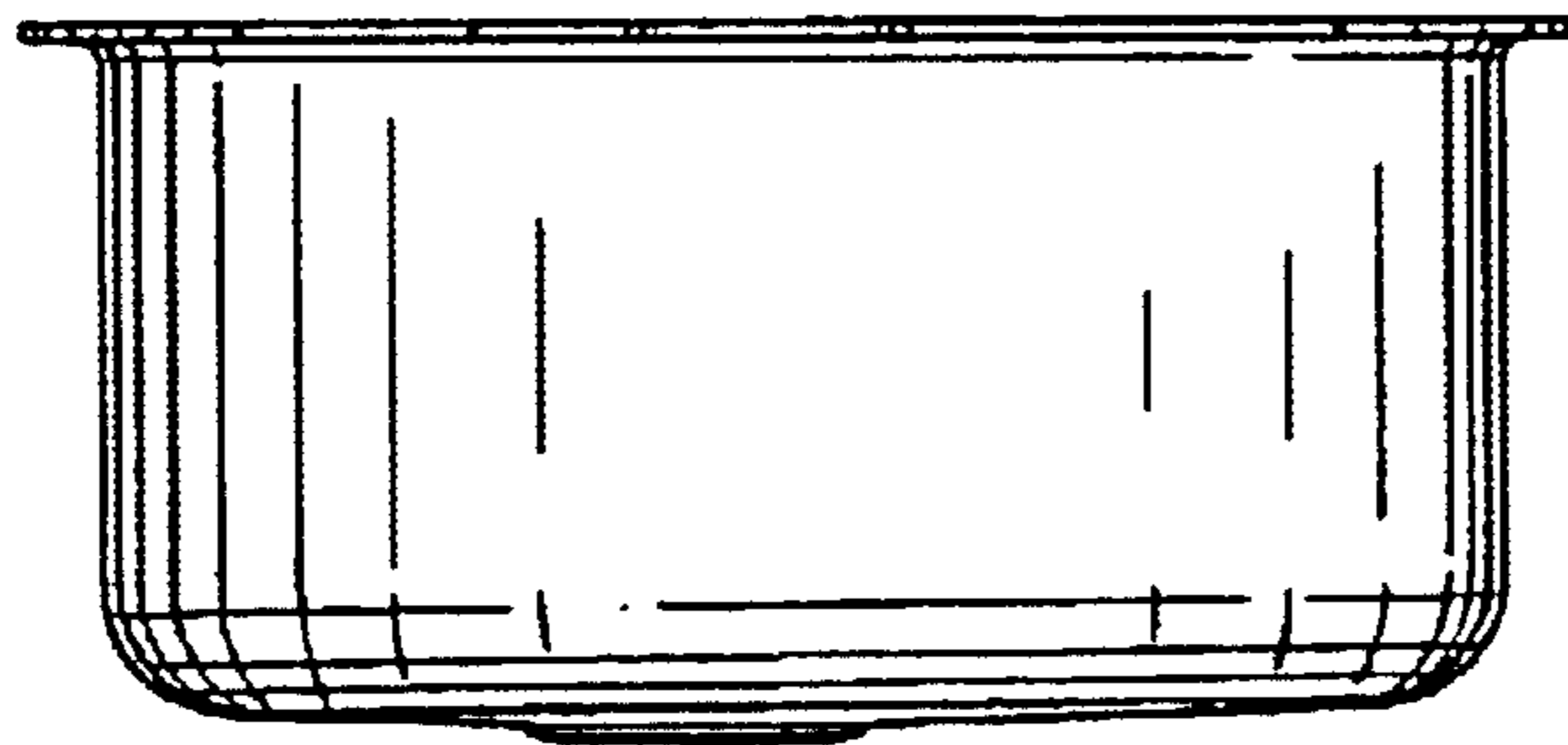


FIG. 6



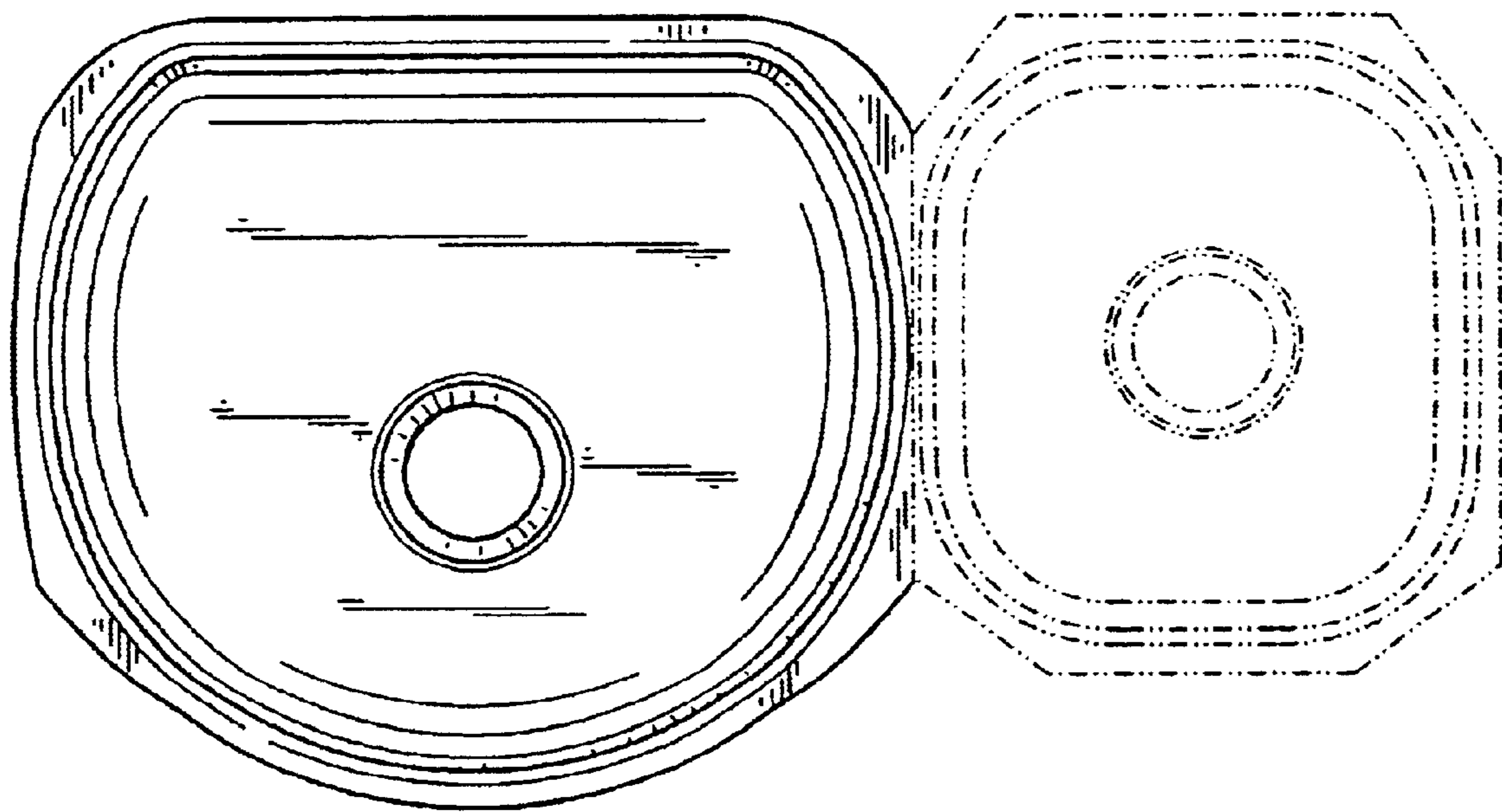
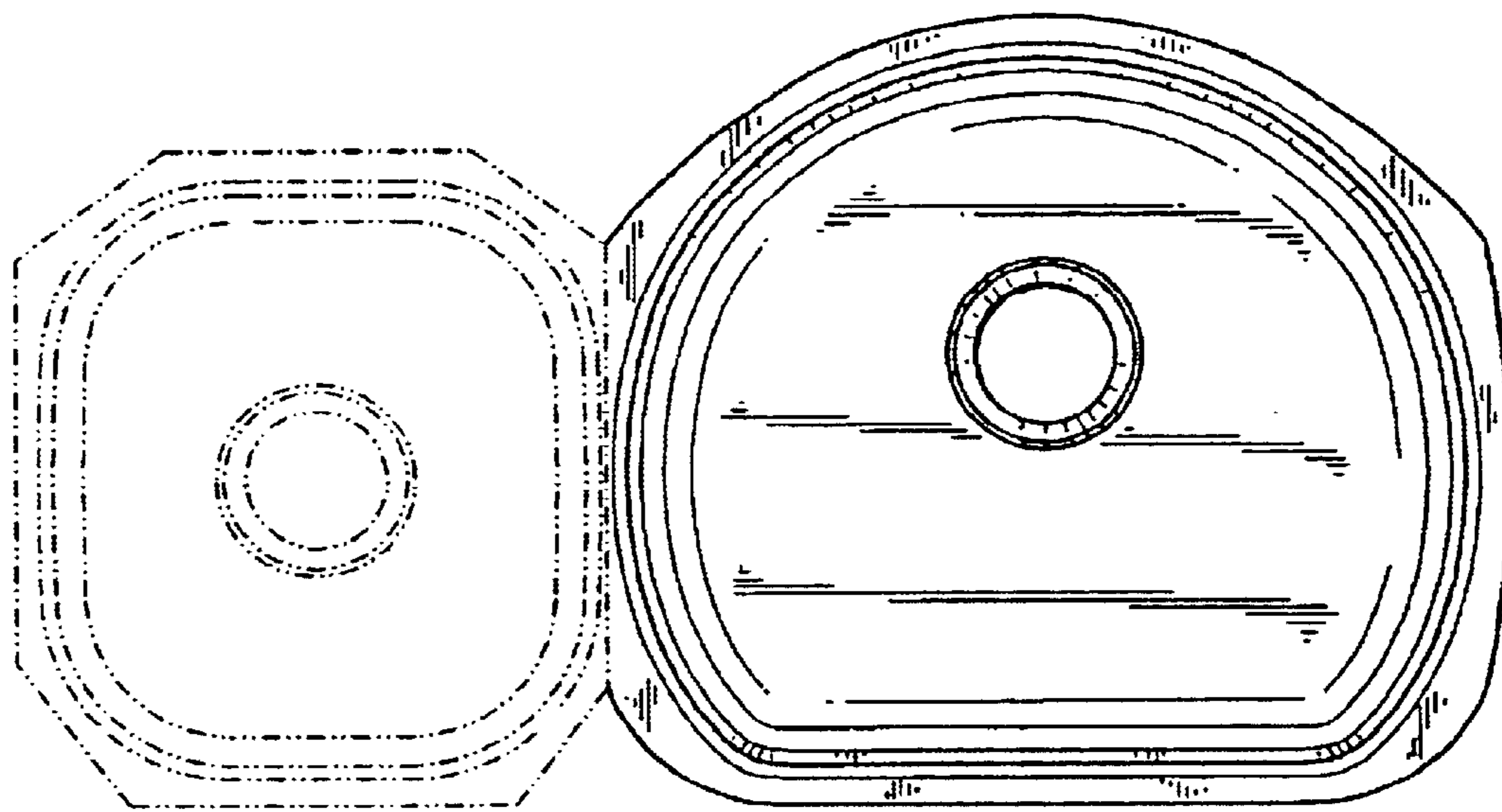
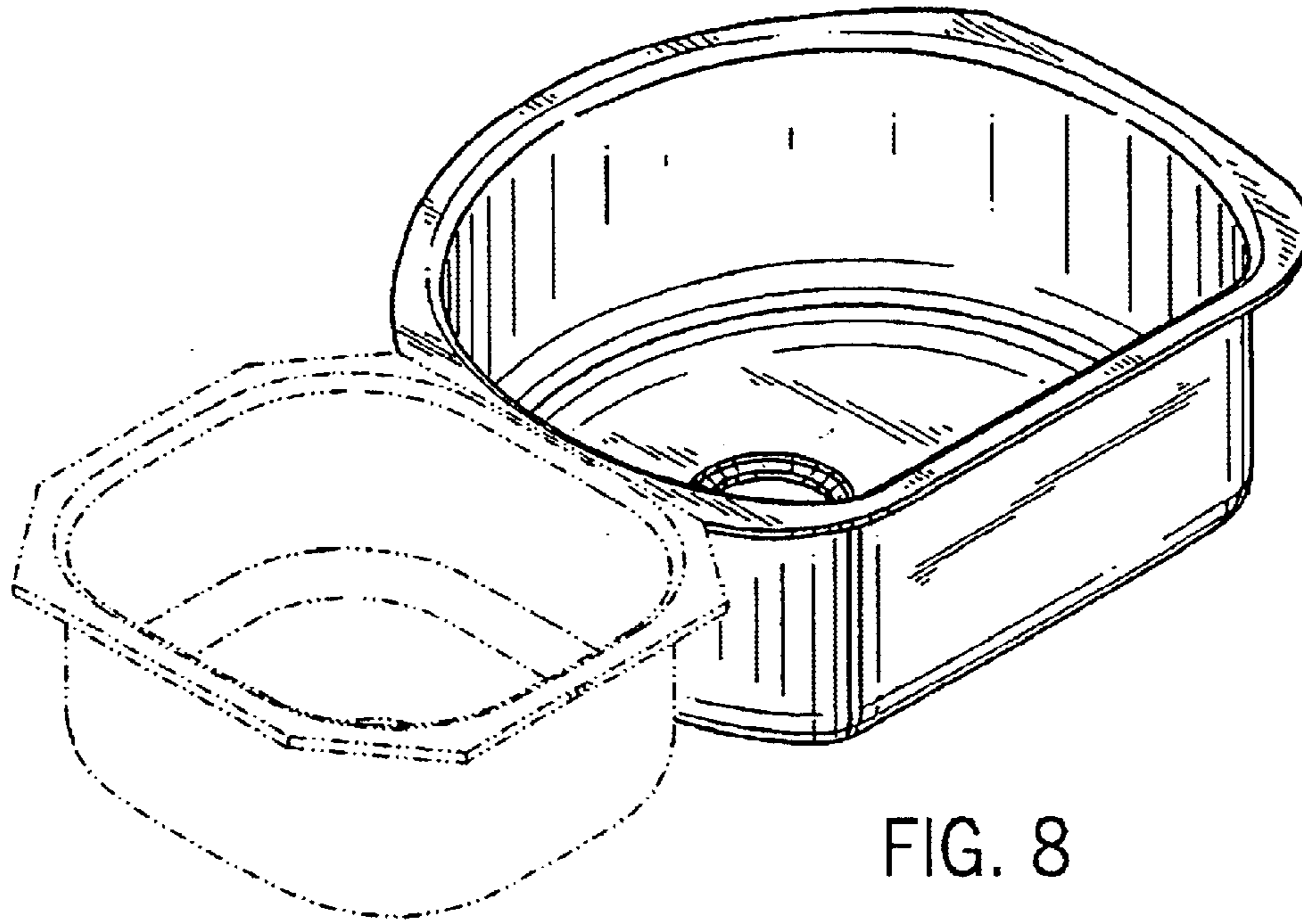


FIG. 7



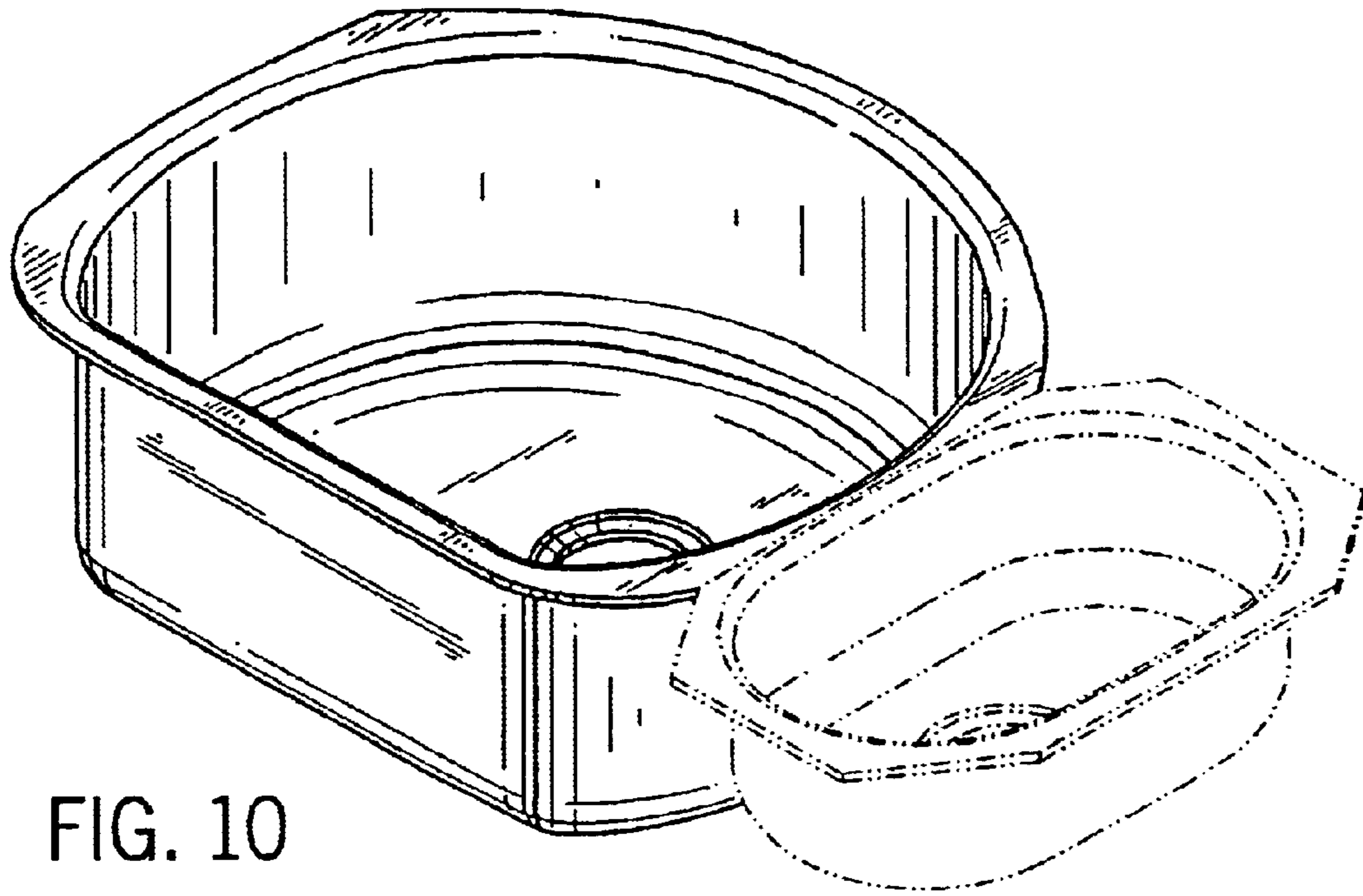


FIG. 10

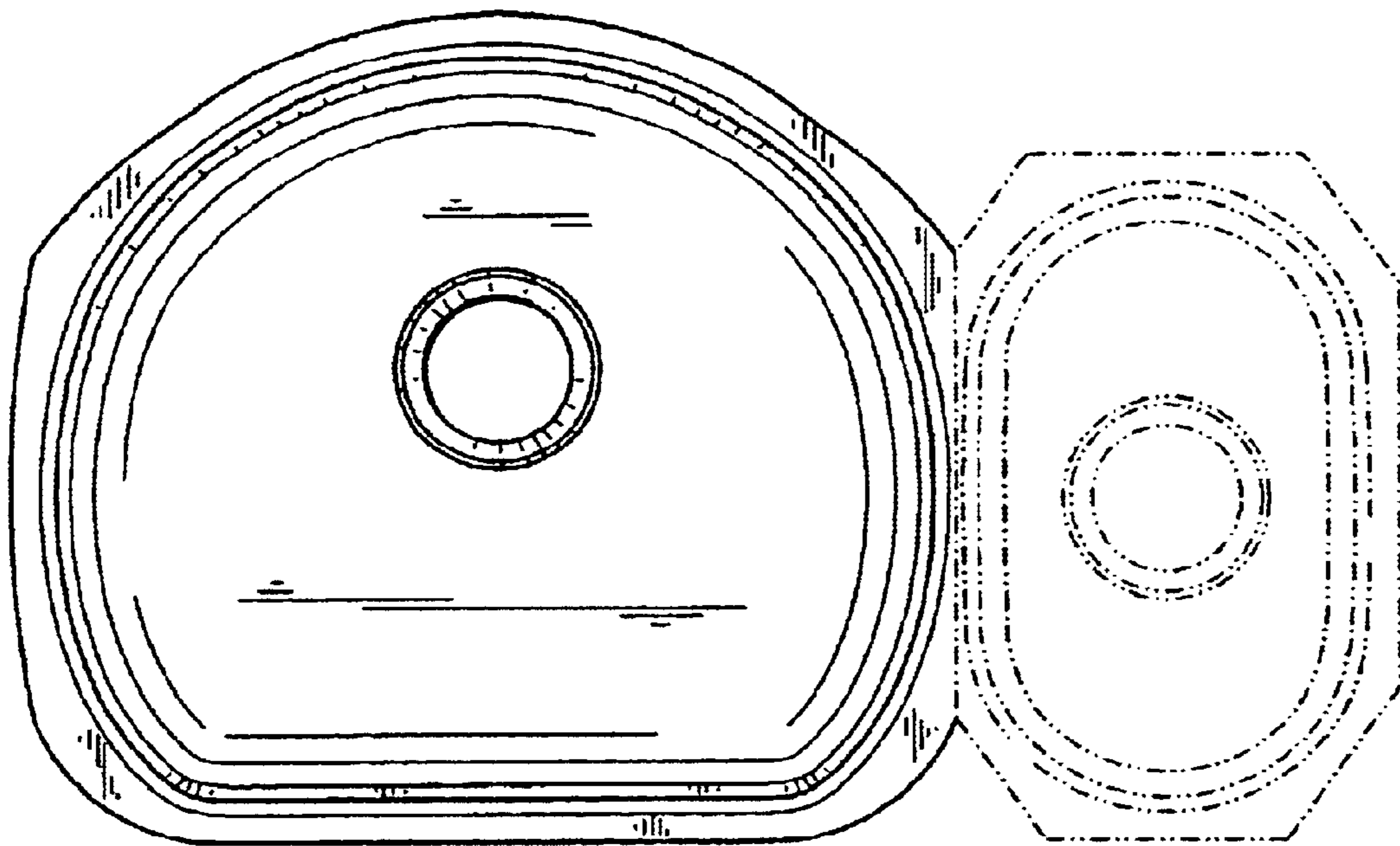


FIG. 11

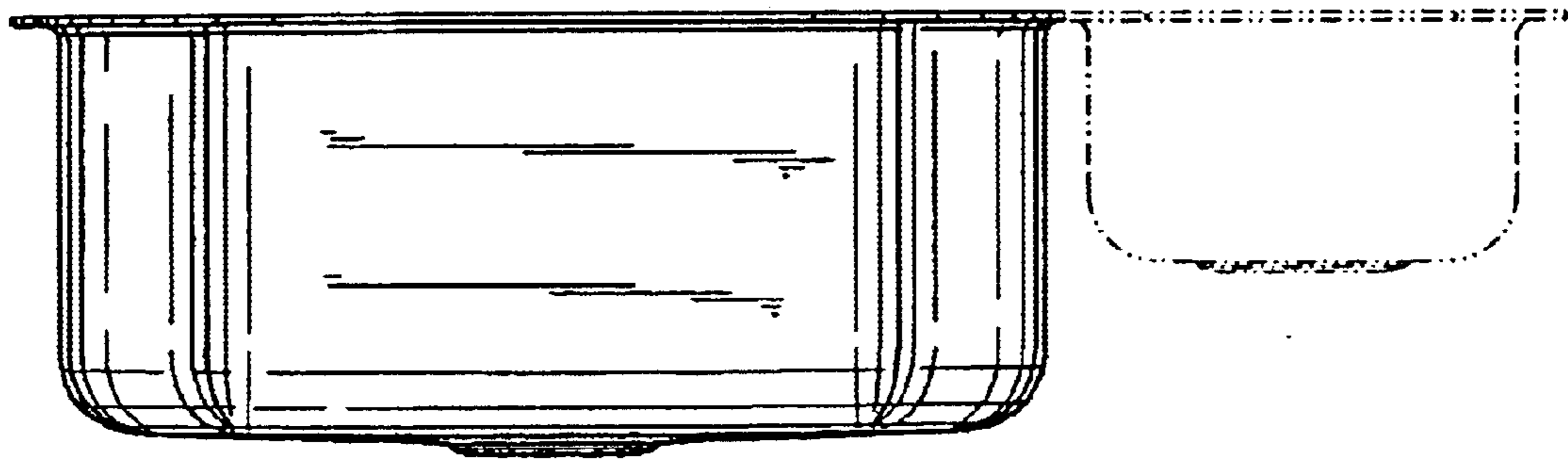


FIG. 12

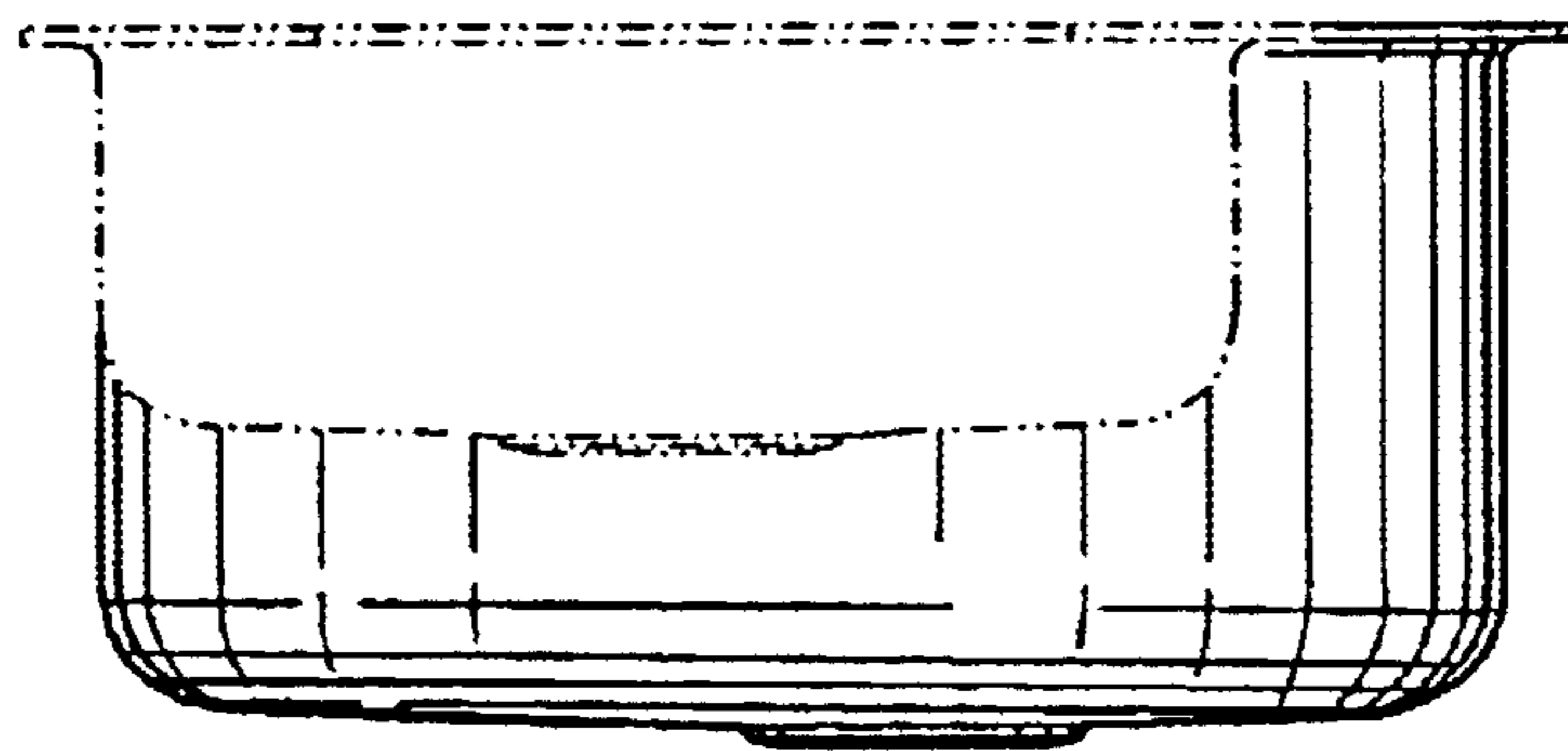


FIG. 13

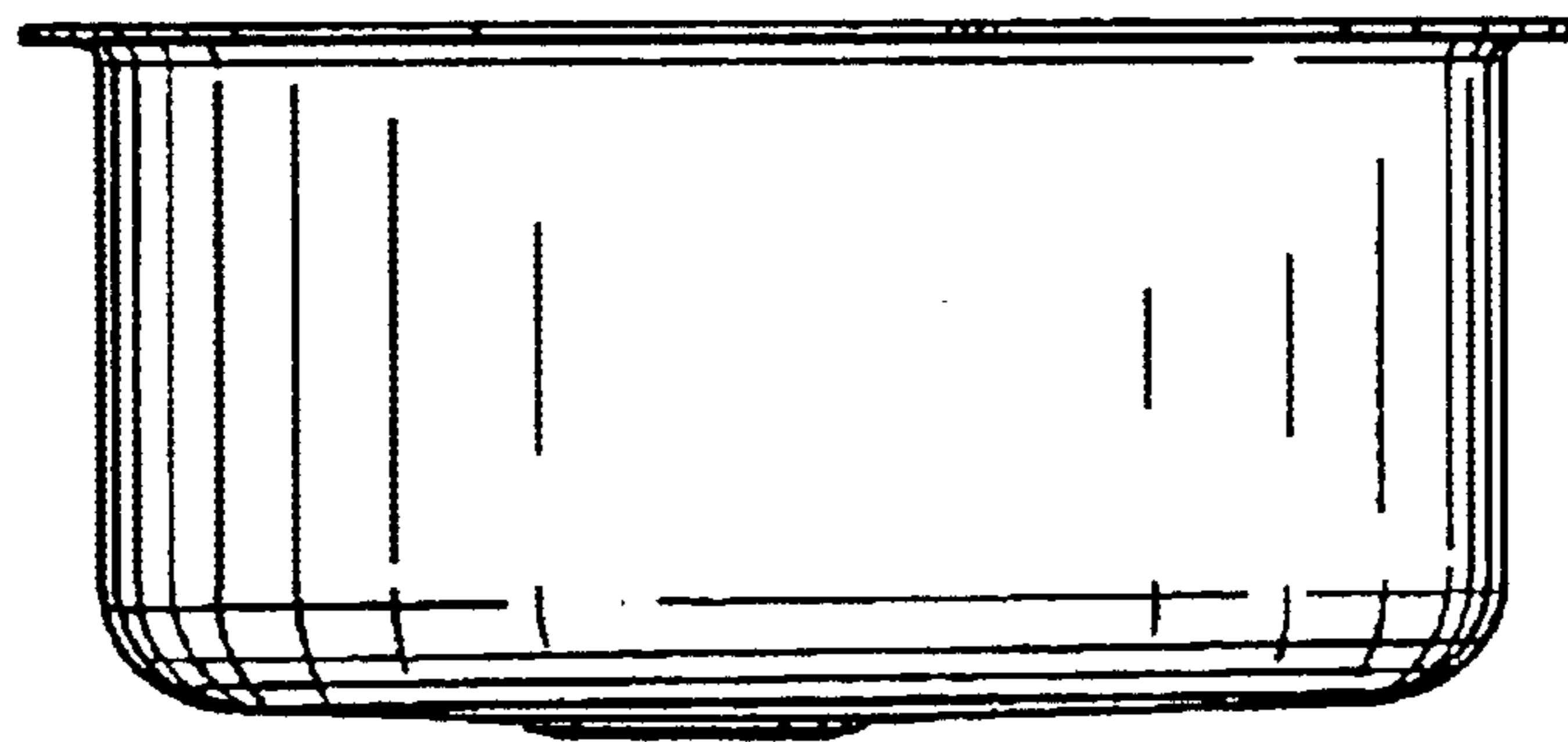


FIG. 14

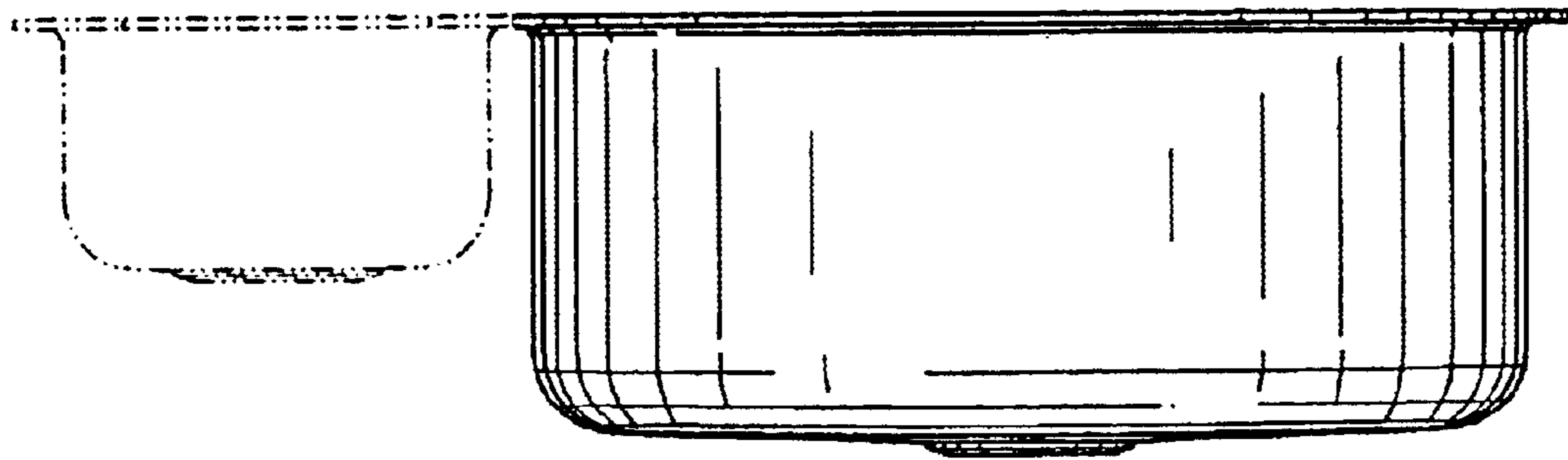


FIG. 15

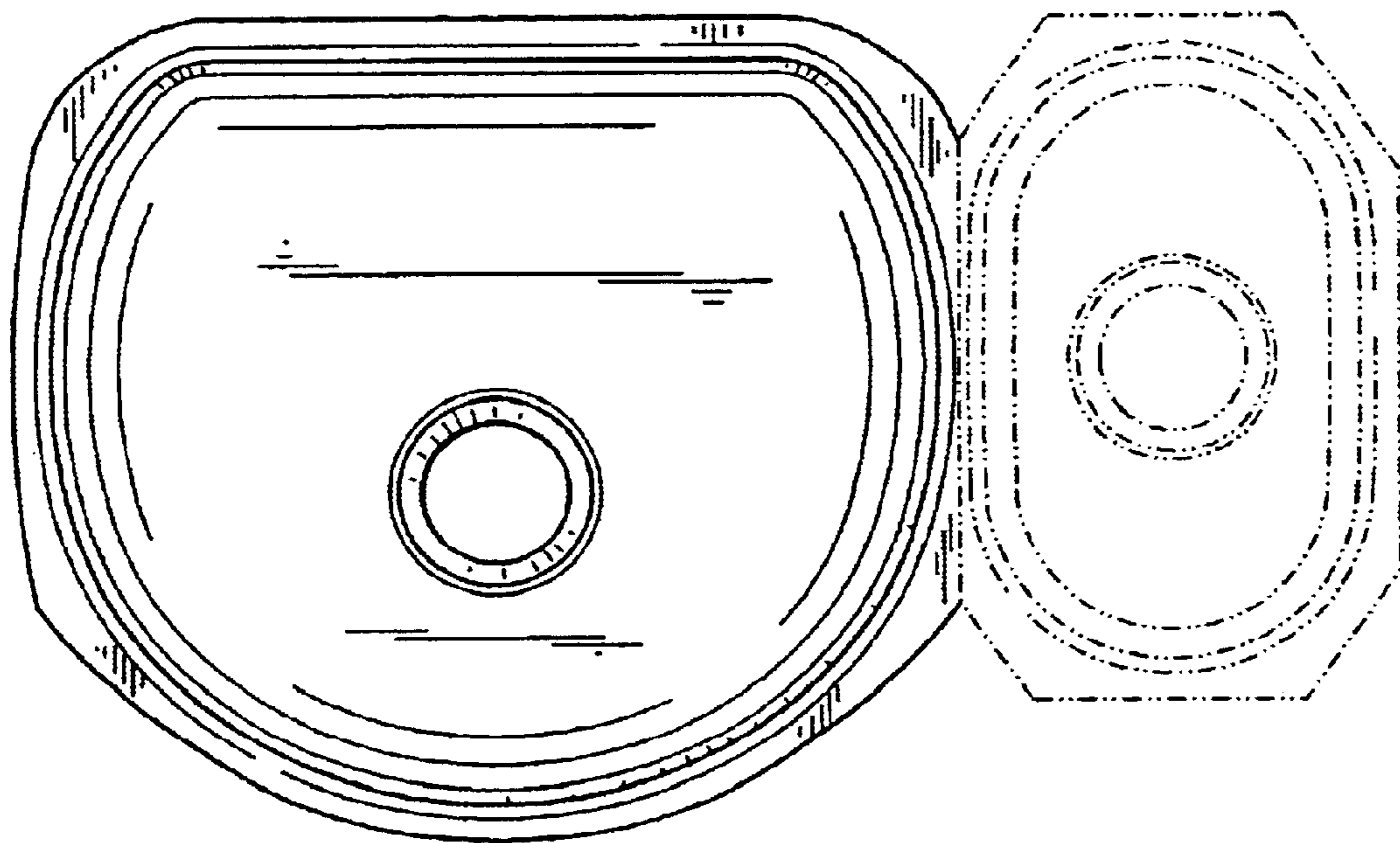


FIG. 16

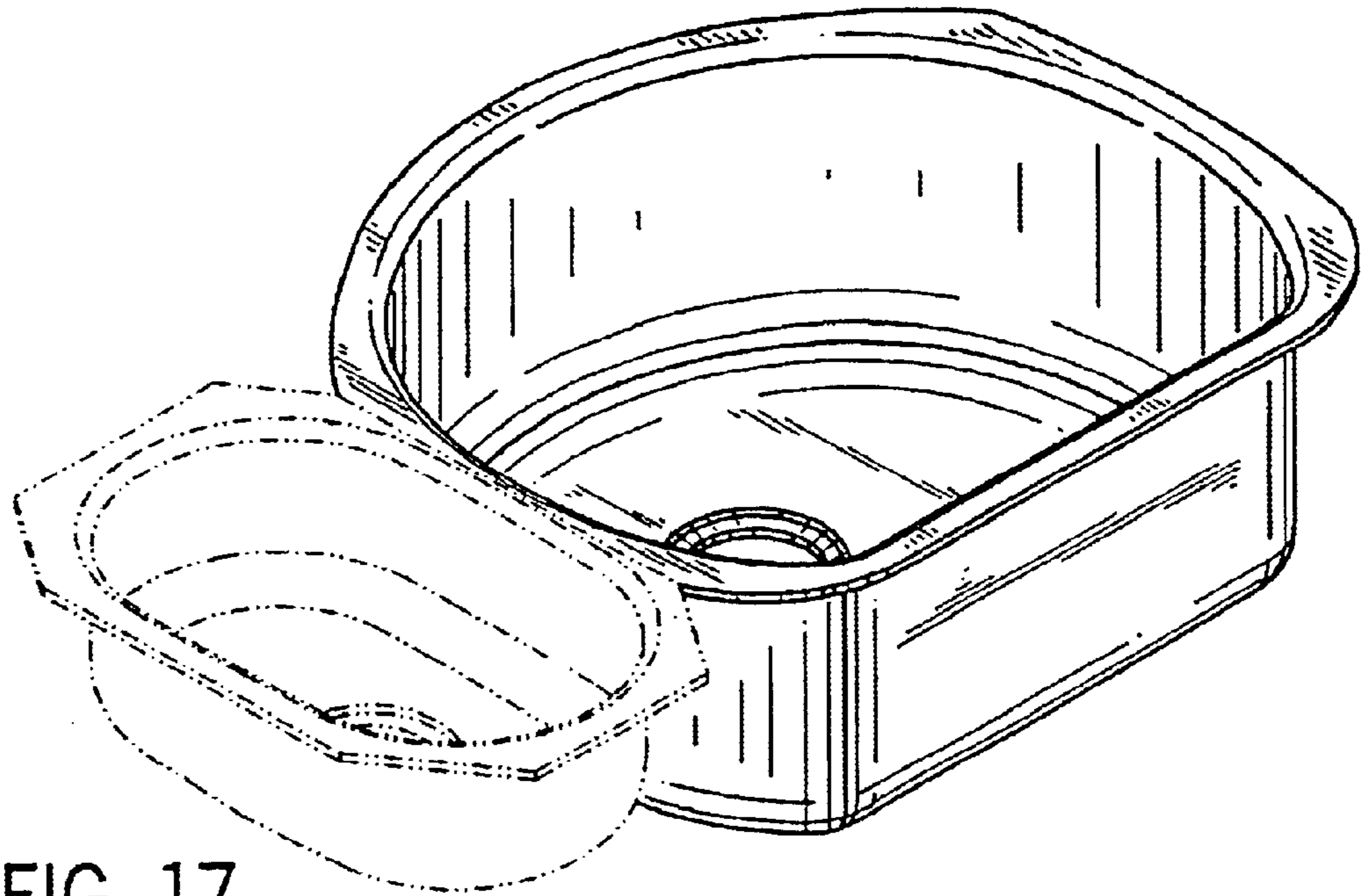


FIG. 17

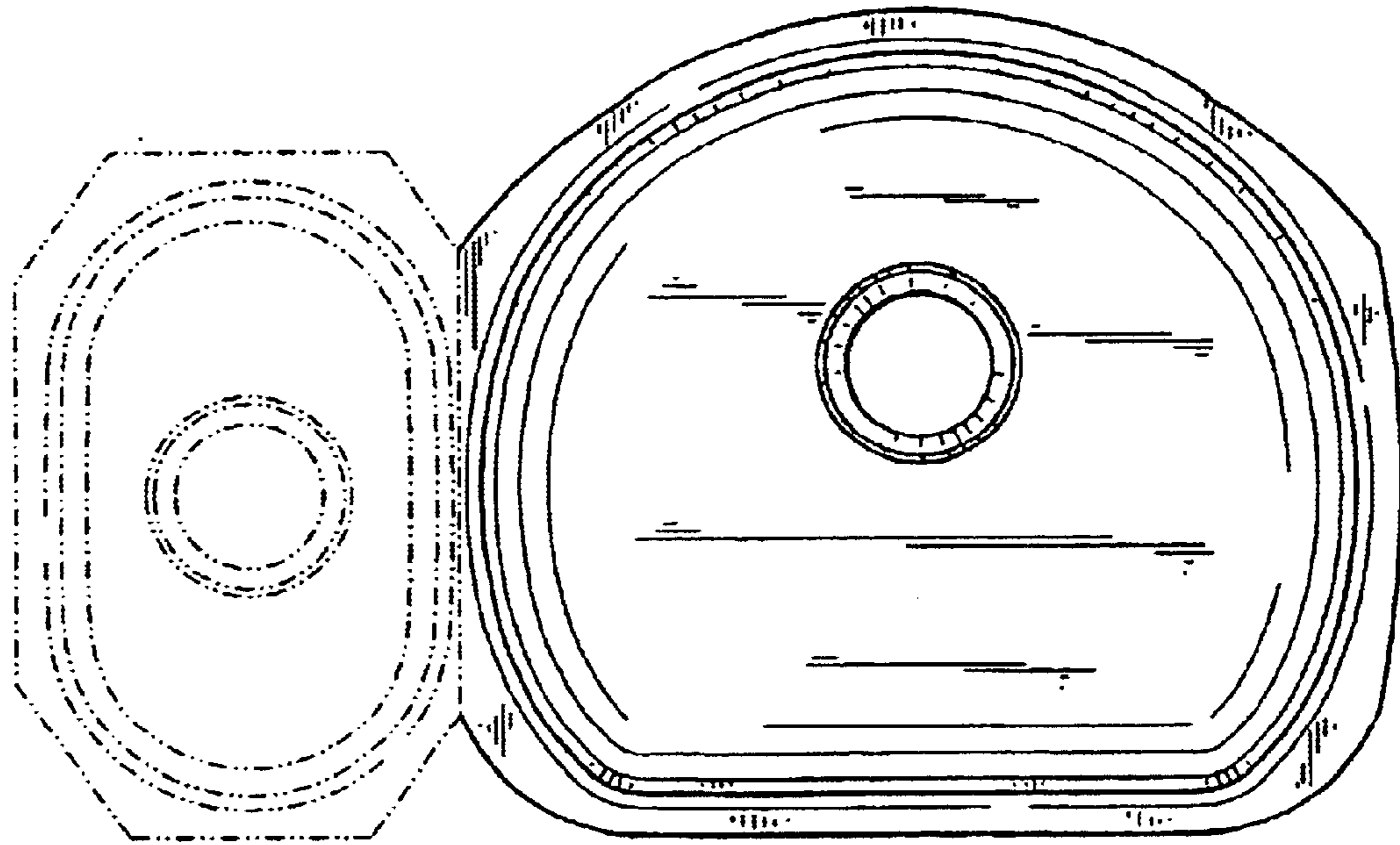


FIG. 18