

US00D508113S

(12) **United States Design Patent** (10) **Patent No.:** **US D508,113 S**
Ng (45) **Date of Patent:** **** Aug. 2, 2005**

(54) **WASH BASIN WITH SUPPORT BRACKET AND TOWEL RAIL**

(75) Inventor: **Soo Kok Ng**, Singapore (SG)

(73) Assignee: **Genova Industries PTE LTD** (SG)

(**) Term: **14 Years**

(21) Appl. No.: **29/211,689**

(22) Filed: **Aug. 20, 2004**

(51) **LOC (8) Cl.** **23-02**

(52) **U.S. Cl.** **D23/293.1**

(58) **Field of Search** D23/284, 293.1;
4/638, 619, 648, 624-626; D8/363, 354,
380; 248/300, 309.1

(56) **References Cited**

U.S. PATENT DOCUMENTS

653,986	A	*	7/1900	Conderman	4/648
1,039,903	A	*	10/1912	Crane	4/648
1,394,302	A	*	10/1921	Hinsdale et al.	4/648
2,583,922	A	*	1/1952	Zummach	4/638
2,766,461	A	*	10/1956	Zinkil et al.	4/648
D382,332	S	*	8/1997	Schwartz	D23/284

OTHER PUBLICATIONS

DM/059726 (Milldue Arredi S.P.A.) Apr. 22, 2002 [online] [retrieved on Mar. 13, 2005]. Retrieved from: WIPO Industrial Design Database.*

DM/052806 (Swarovski Akteingesellschaft) May 11, 2005 [online] [retrieved on Mar. 13, 2005]. Retrieved from: WIPO Industrial Design Database.*

* cited by examiner

Primary Examiner—Holly Baynham

(74) *Attorney, Agent, or Firm*—Leong C. Lei

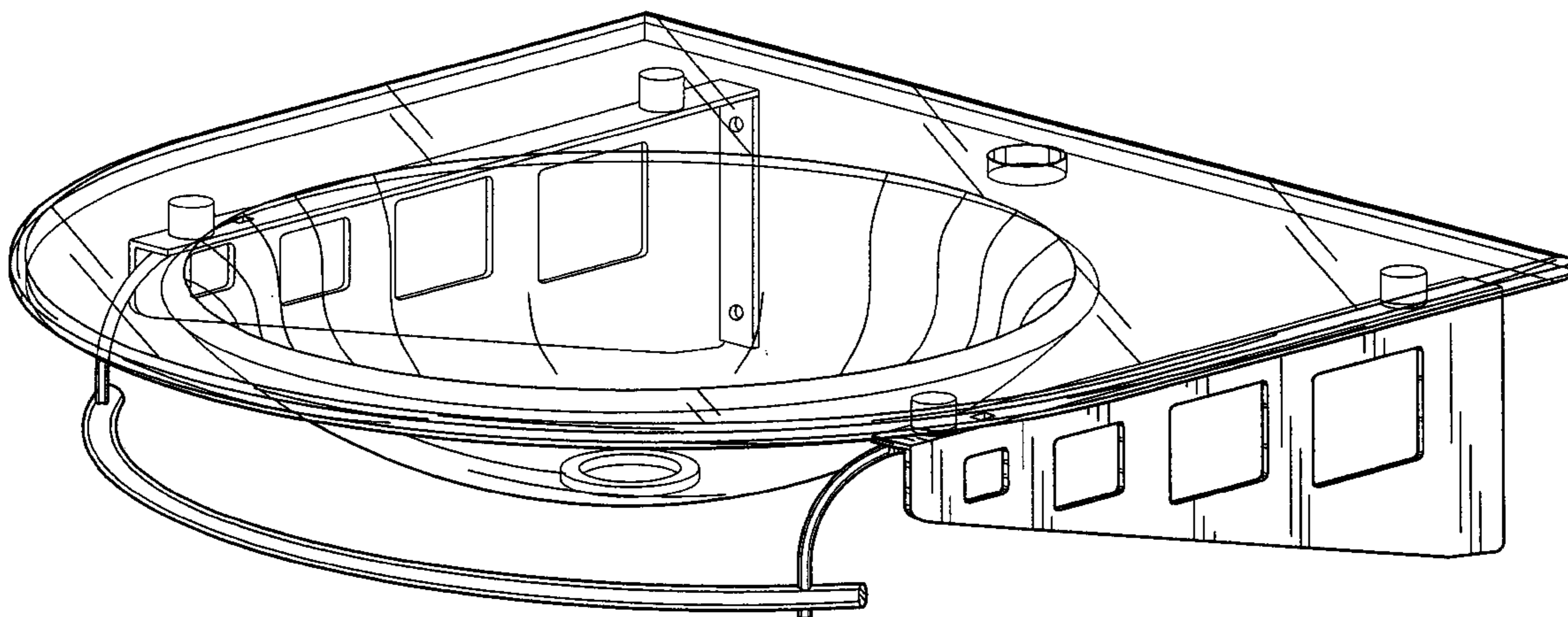
(57) **CLAIM**

The ornamental design for a wash basin with support bracket and towel rail, as shown and described.

DESCRIPTION

FIG. 1 is a perspective view of a wash basin with support bracket and towel rail showing my new design; FIG. 2 is a front side elevation view thereof; FIG. 3 is a rear side elevation view thereof; FIG. 4 is a left side elevation view thereof; FIG. 5 is a right side view elevation thereof; FIG. 6 is a top plan view thereof; and, FIG. 7 is a bottom plan view thereof.

1 Claim, 5 Drawing Sheets



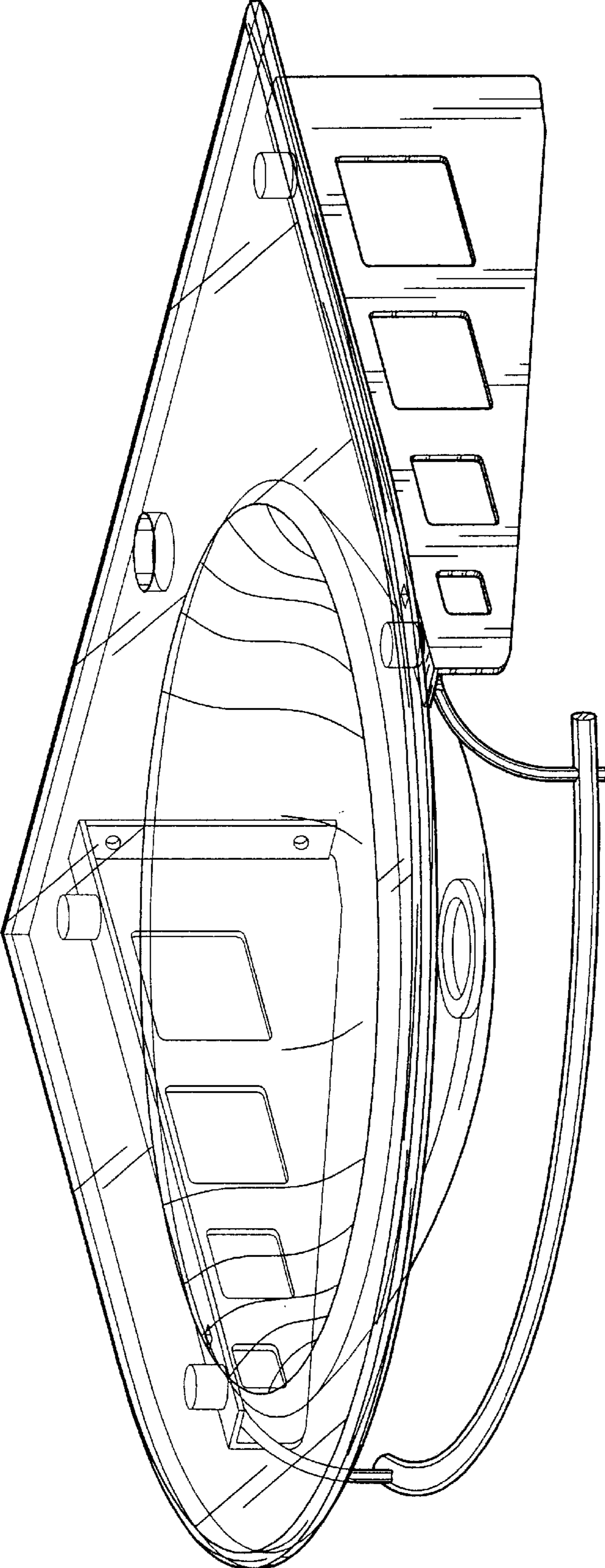


FIG. 1

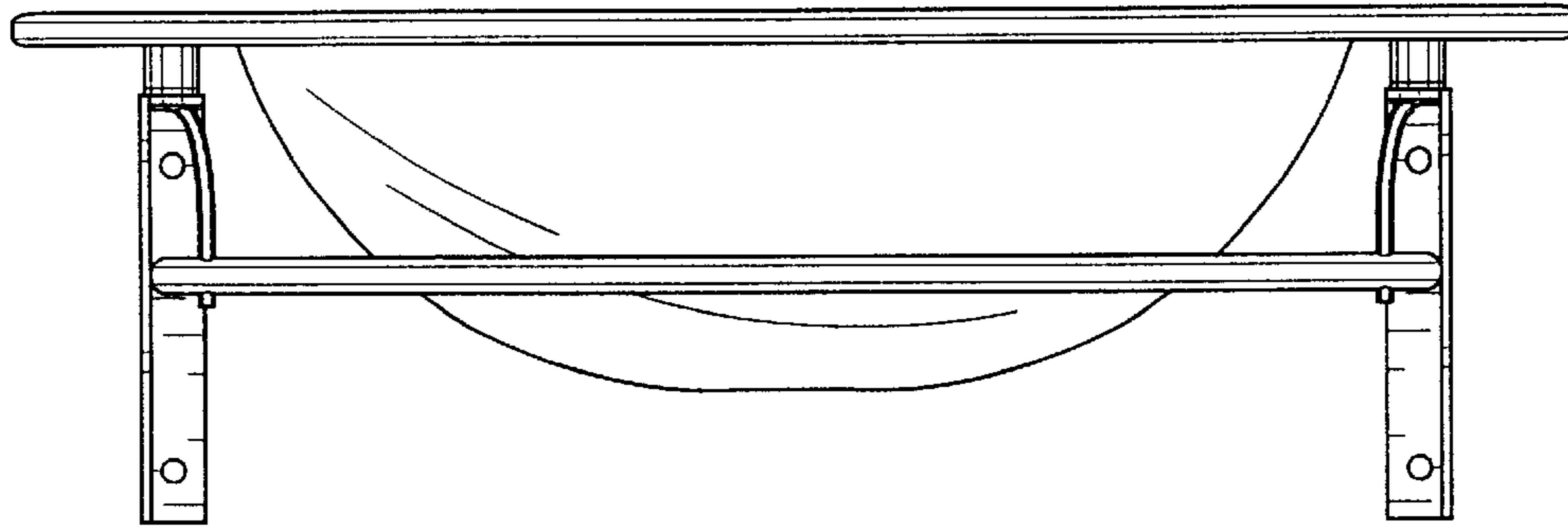


FIG. 2

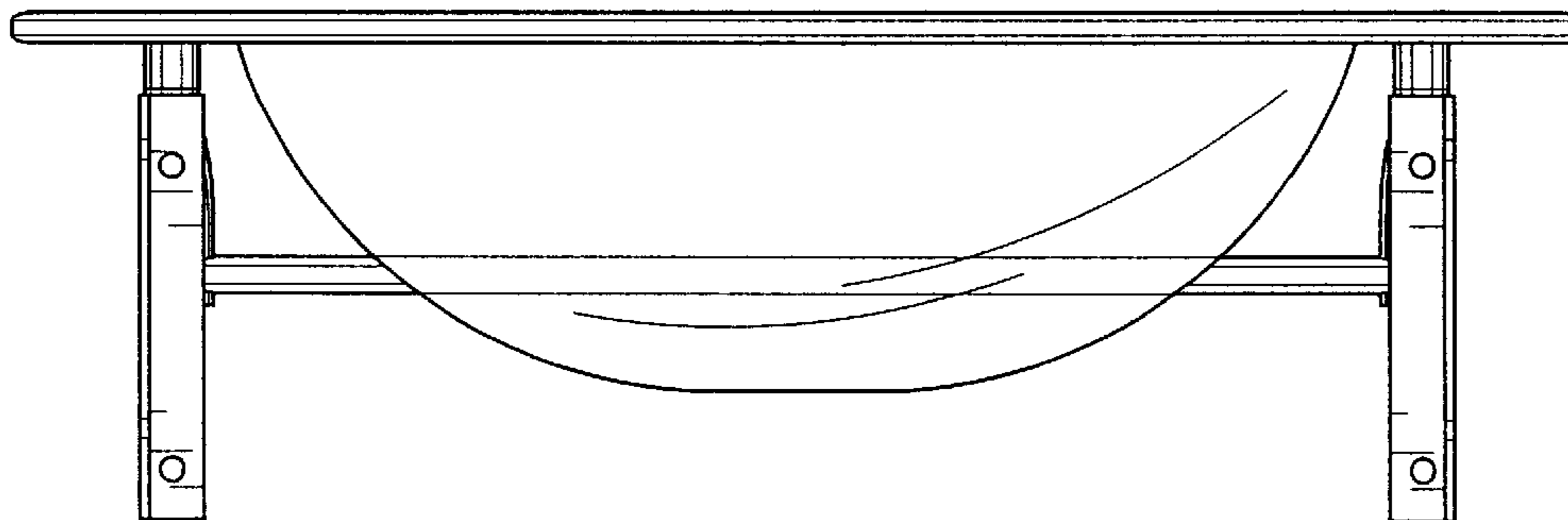


FIG. 3

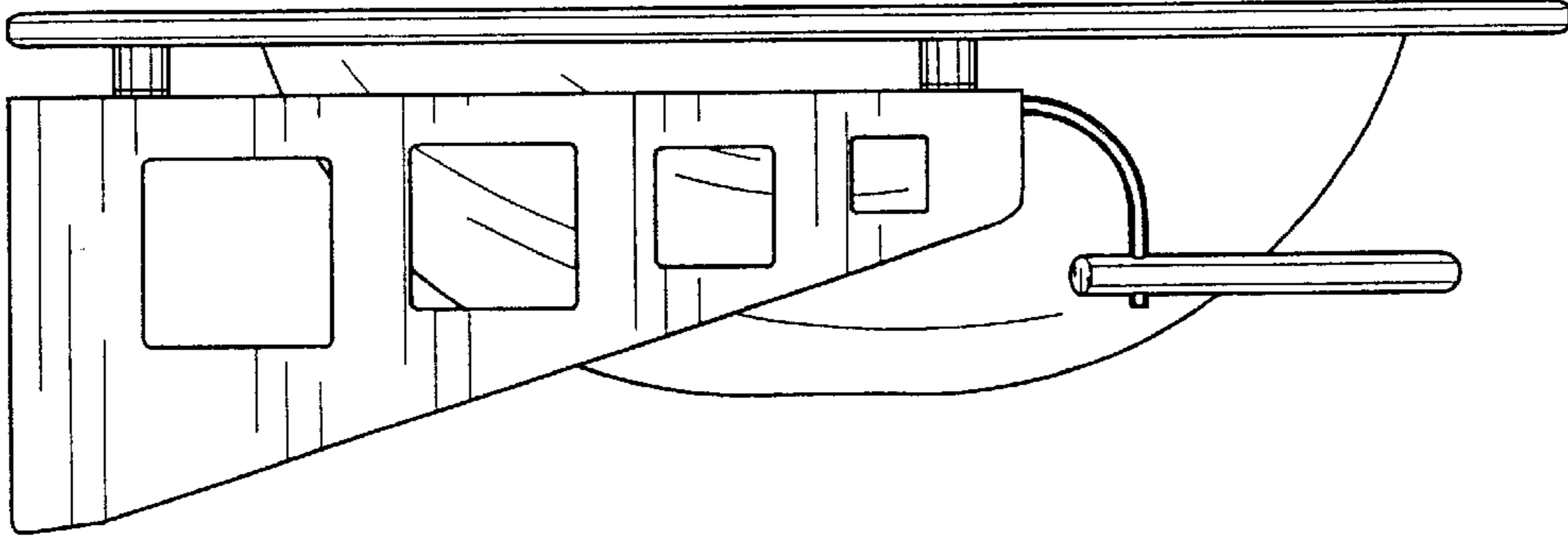


FIG. 4

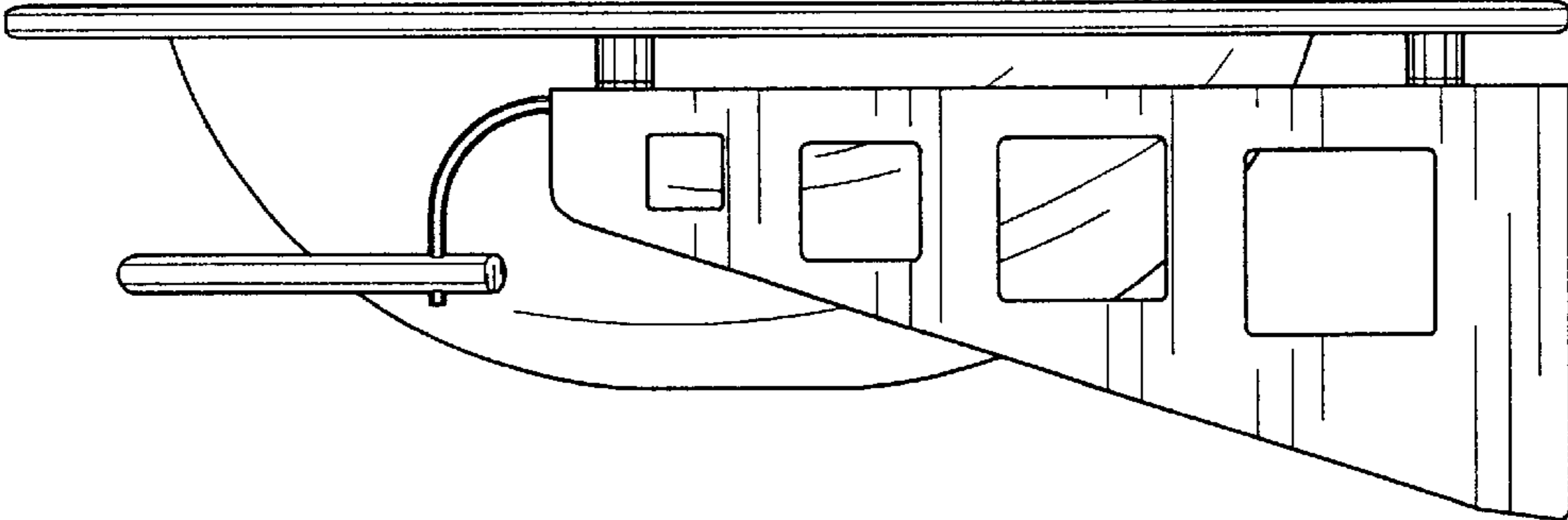


FIG. 5

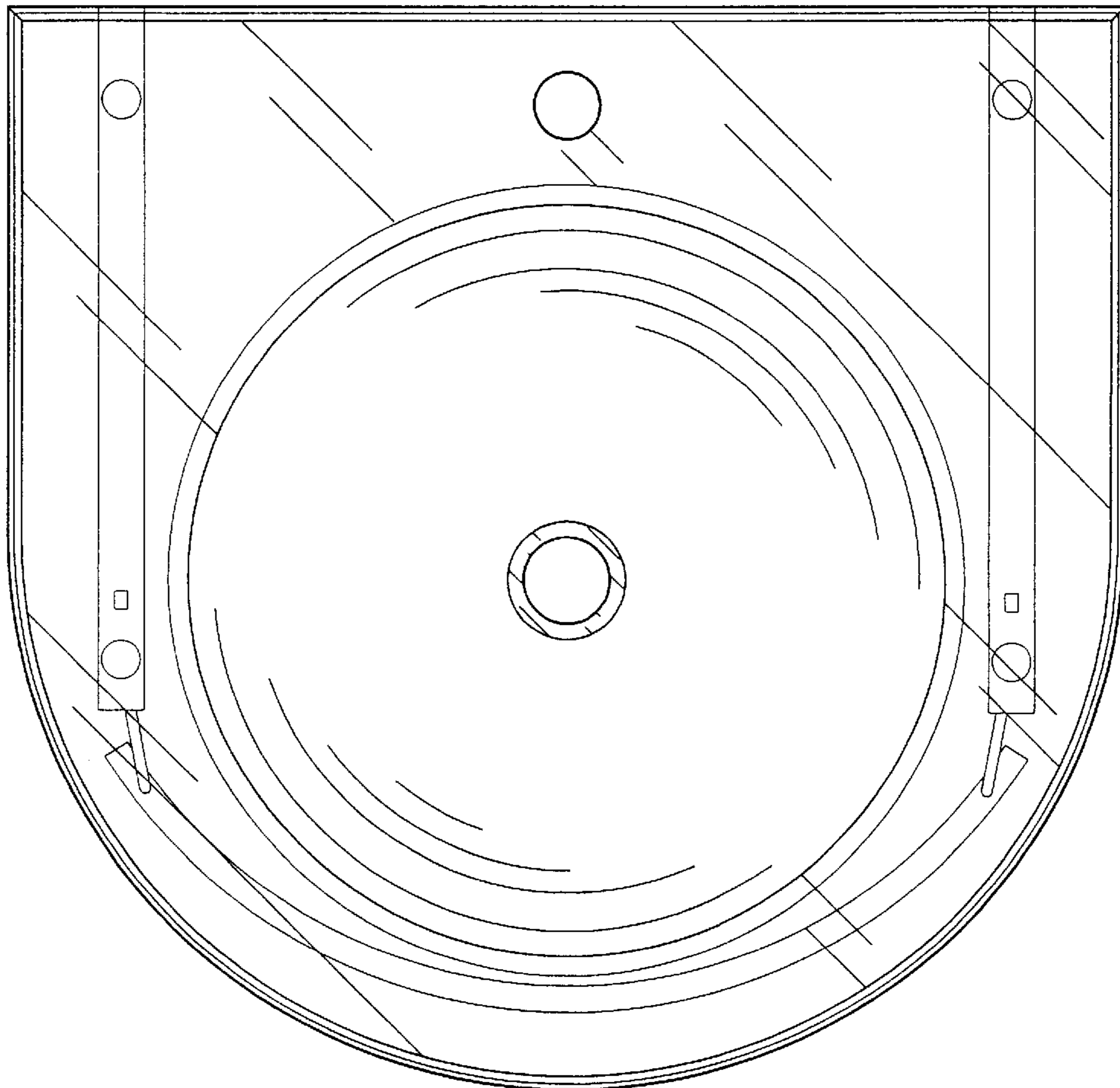


FIG. 6

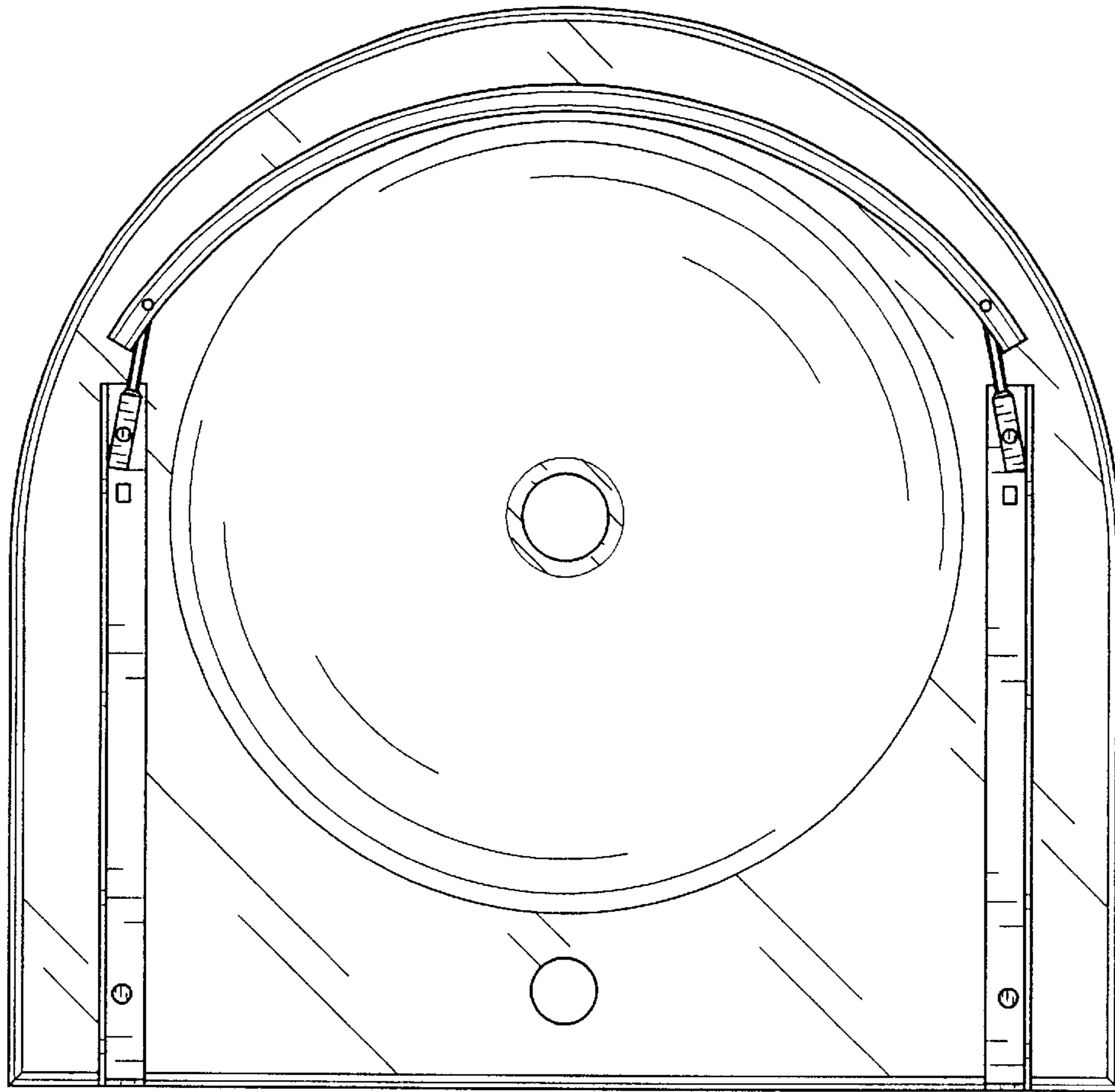


FIG. 7