

US00D508111S

(12) **United States Design Patent**
Karasawa

(10) **Patent No.:** **US D508,111 S**
(45) **Date of Patent:** **** Aug. 2, 2005**

- (54) **WATER SPRAY NOZZLE COMPONENT**
- (75) Inventor: **Akihiro Karasawa**, Amagasaki (JP)
- (73) Assignee: **Suikosha Corp.**, Amagasaki (JP)
- (**) Term: **14 Years**
- (21) Appl. No.: **29/202,530**
- (22) Filed: **Apr. 9, 2004**
- (30) **Foreign Application Priority Data**

Oct. 9, 2003 (JP) 2003-029876

- (51) **LOC (8) Cl.** **23-01**
- (52) **U.S. Cl.** **D23/262; D23/213**
- (58) **Field of Search** **D23/213, 262;**
285/146.1, 146.2, 146.3, 125.1, 127.1

(56) **References Cited**

U.S. PATENT DOCUMENTS

- 3,848,899 A * 11/1974 Smith 285/98
- D260,810 S * 9/1981 Cleveland D23/245
- D380,037 S * 6/1997 Grantham D23/262
- D451,584 S * 12/2001 Patteson et al. D23/262
- D453,817 S * 2/2002 Patteson et al. D23/262

* cited by examiner

Primary Examiner—Robin V. Taylor

(74) *Attorney, Agent, or Firm*—Christensen O'Connor Johnson Kindness PLLC

(57) **CLAIM**

The ornamental design for a water spray nozzle component, as shown and described.

DESCRIPTION

FIG. 1 is a perspective view of a water spray nozzle

including the water spray nozzle component of the present design;

FIG. 2 is a front view of the water spray nozzle including the component of the present design of FIG. 1;

FIG. 3 is a left-hand side view of the water spray nozzle including the component of the present design of FIG. 1;

FIG. 4 is a right-hand side view of the water spray nozzle including the component of the present design of FIG. 1;

FIG. 5 is a top view of the water spray nozzle including the component of the present design of FIG. 1;

FIG. 6 is a bottom view of the water spray nozzle including the component of the present design of FIG. 1;

FIG. 7 is a front view of the water spray nozzle including the component of the present design of FIG. 1, showing the water spray nozzle component of the present design in a bent state; and,

FIG. 8 is a front view of the water spray nozzle including the component of the present design of FIG. 1, showing the upper portion of the water spray nozzle including the component of the present design being rotated by 90° relative to the lower portion of the water spray nozzle.

In the figures, elements shown in broken lines provide an environmental structure in which the water spray nozzle component of the present design is used, and do not form part of the claimed design.

1 Claim, 3 Drawing Sheets

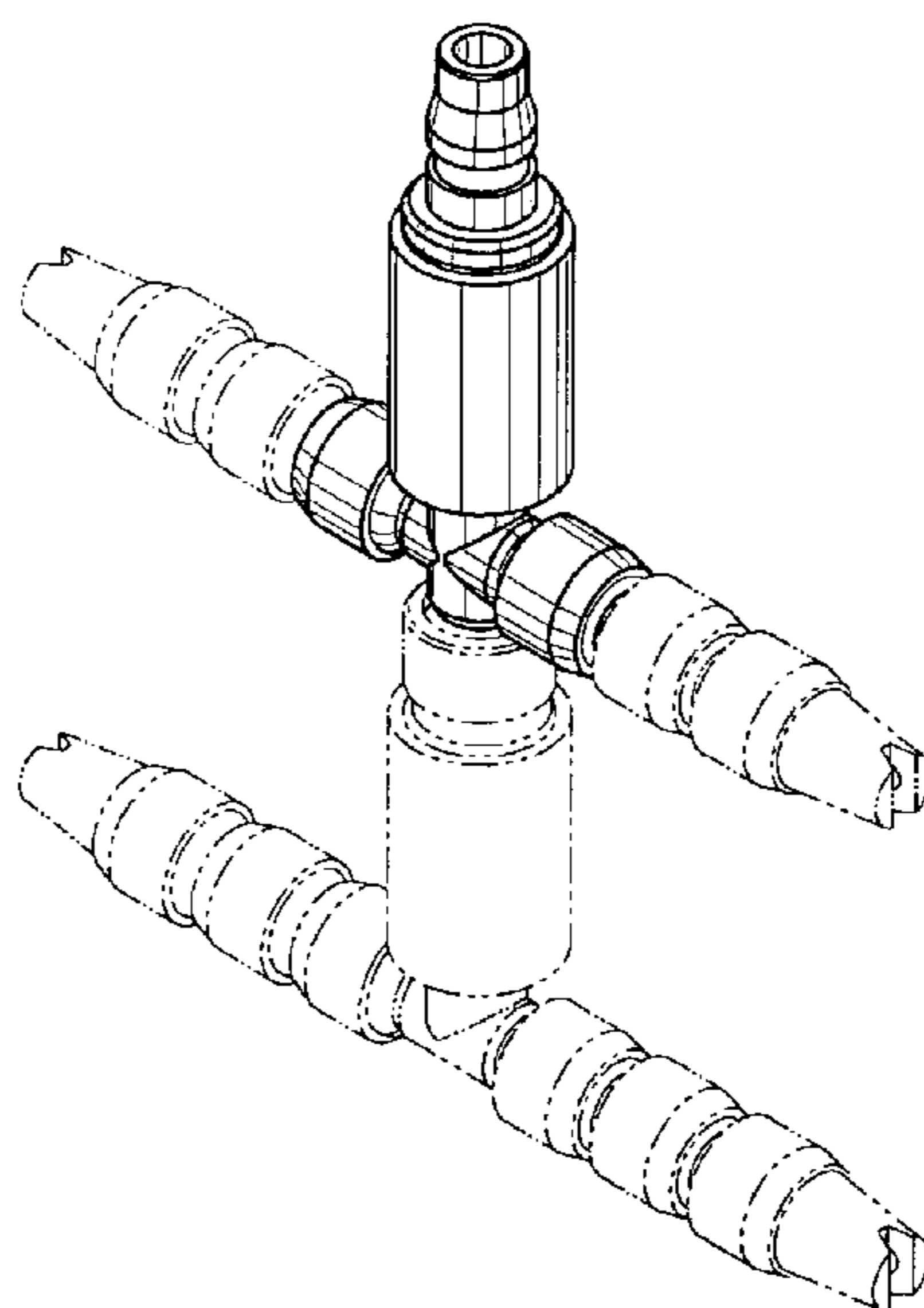


Fig.1.

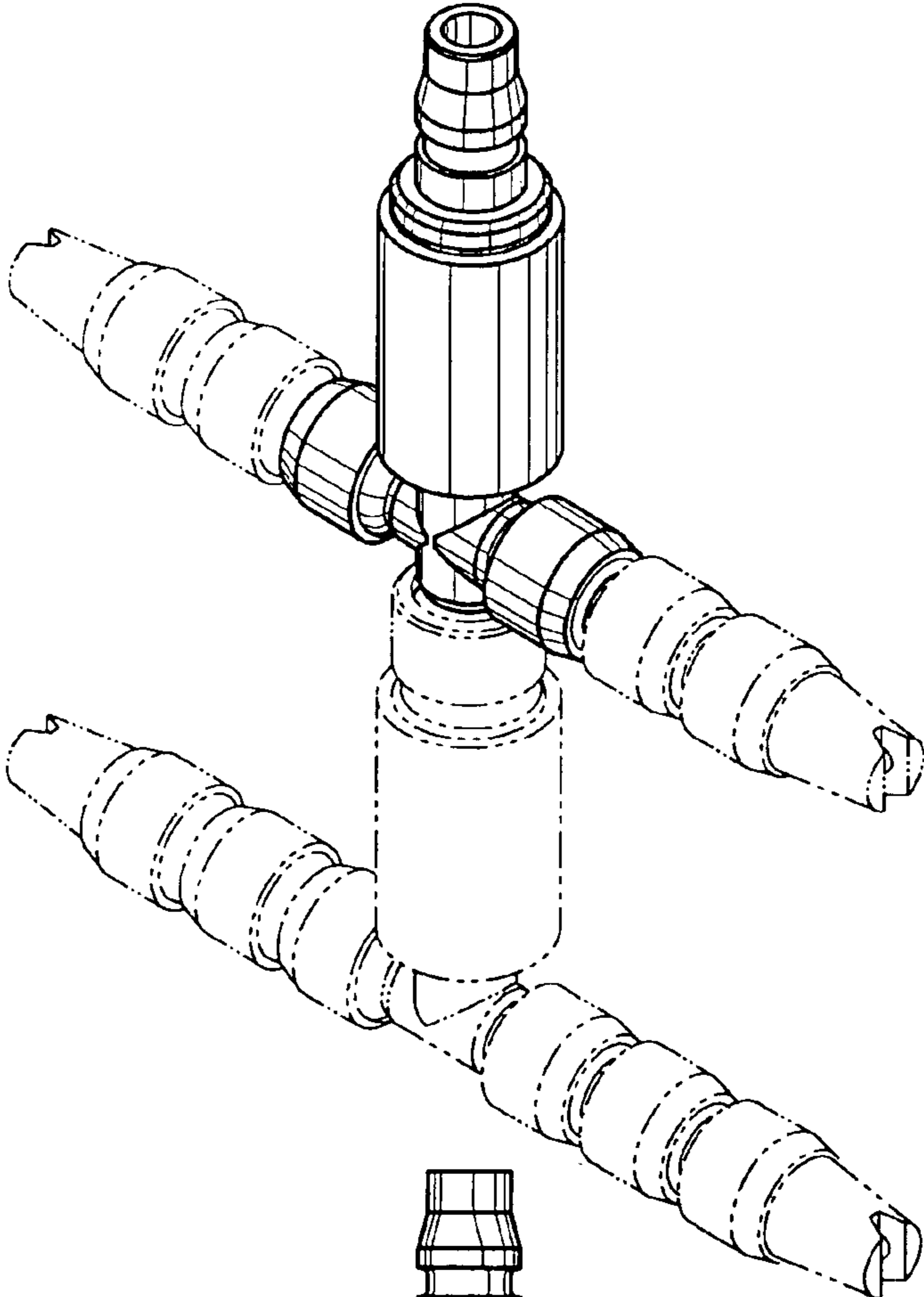
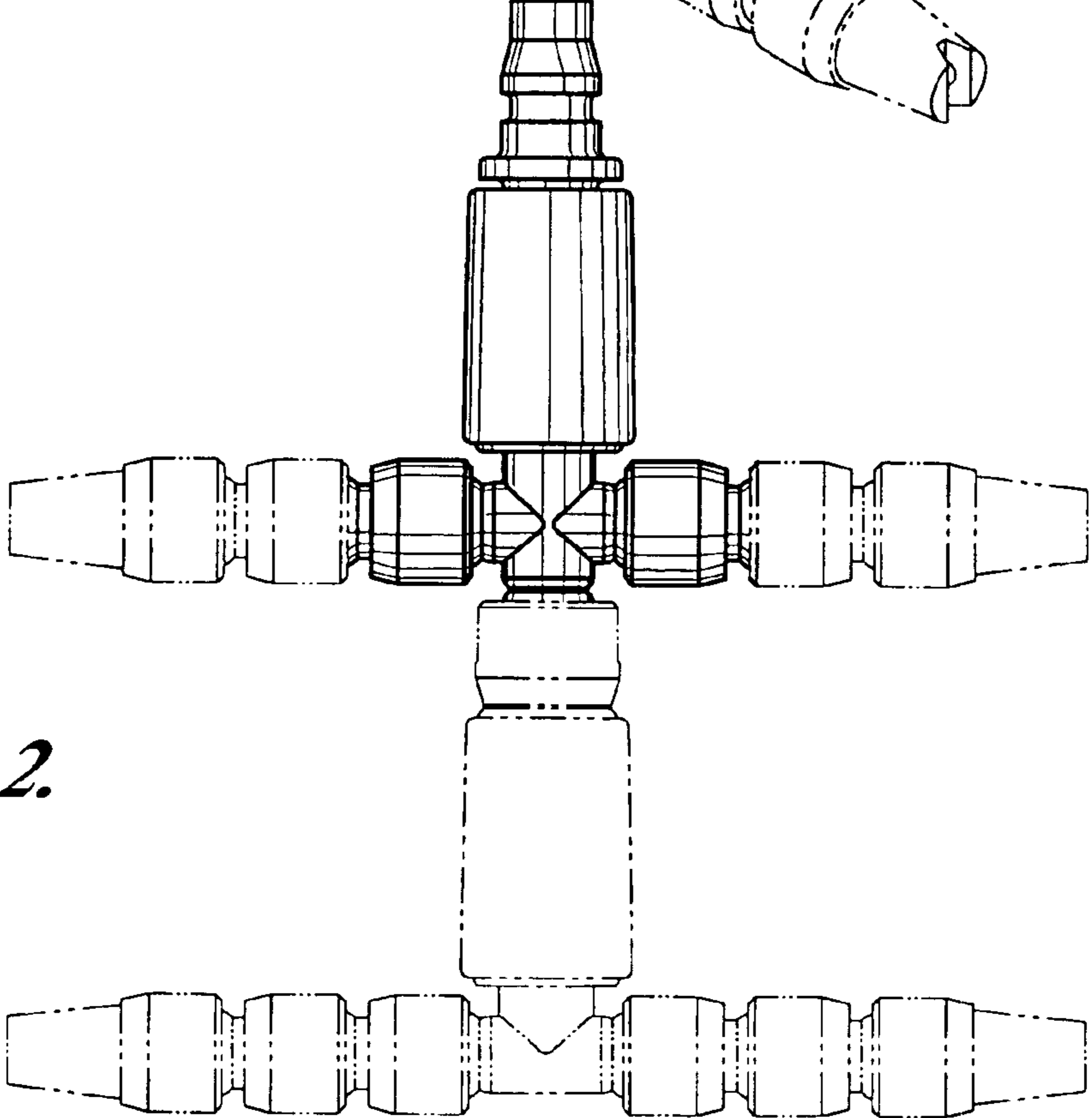


Fig.2.



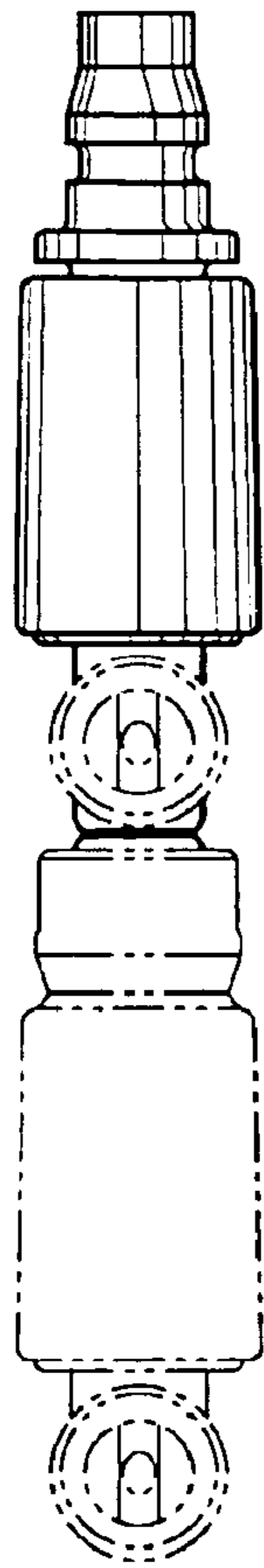


Fig. 3.

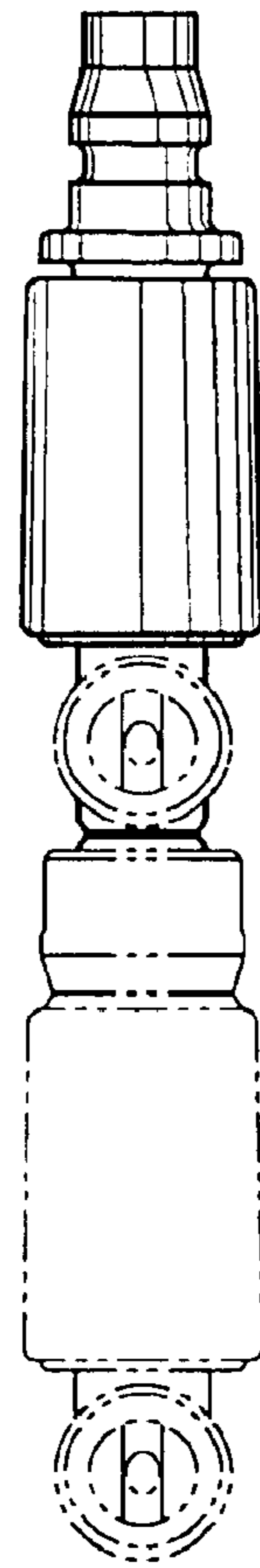


Fig. 4.

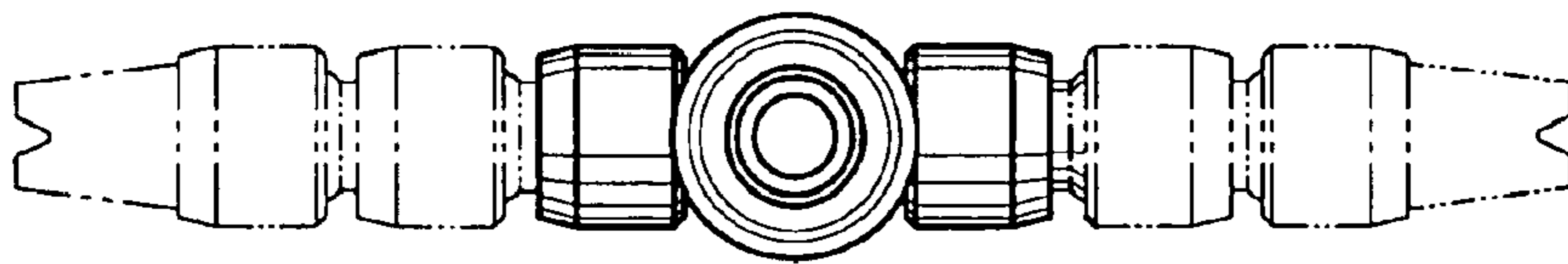


Fig. 5.

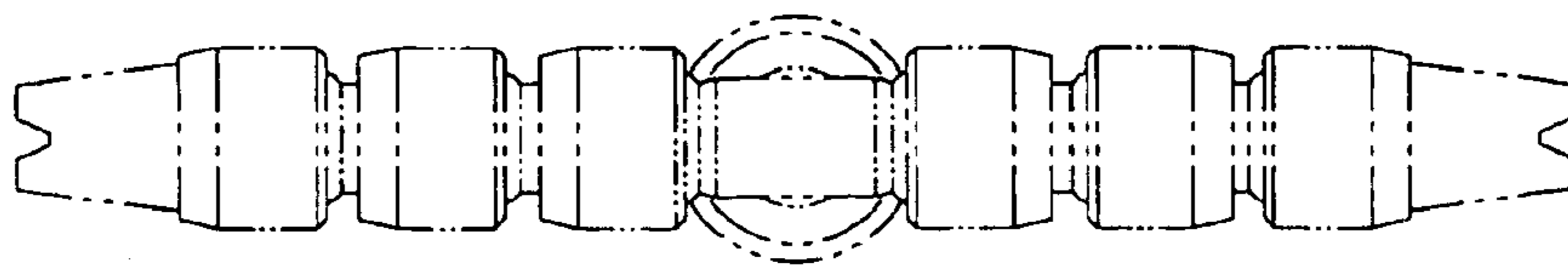


Fig. 6.

Fig. 7.

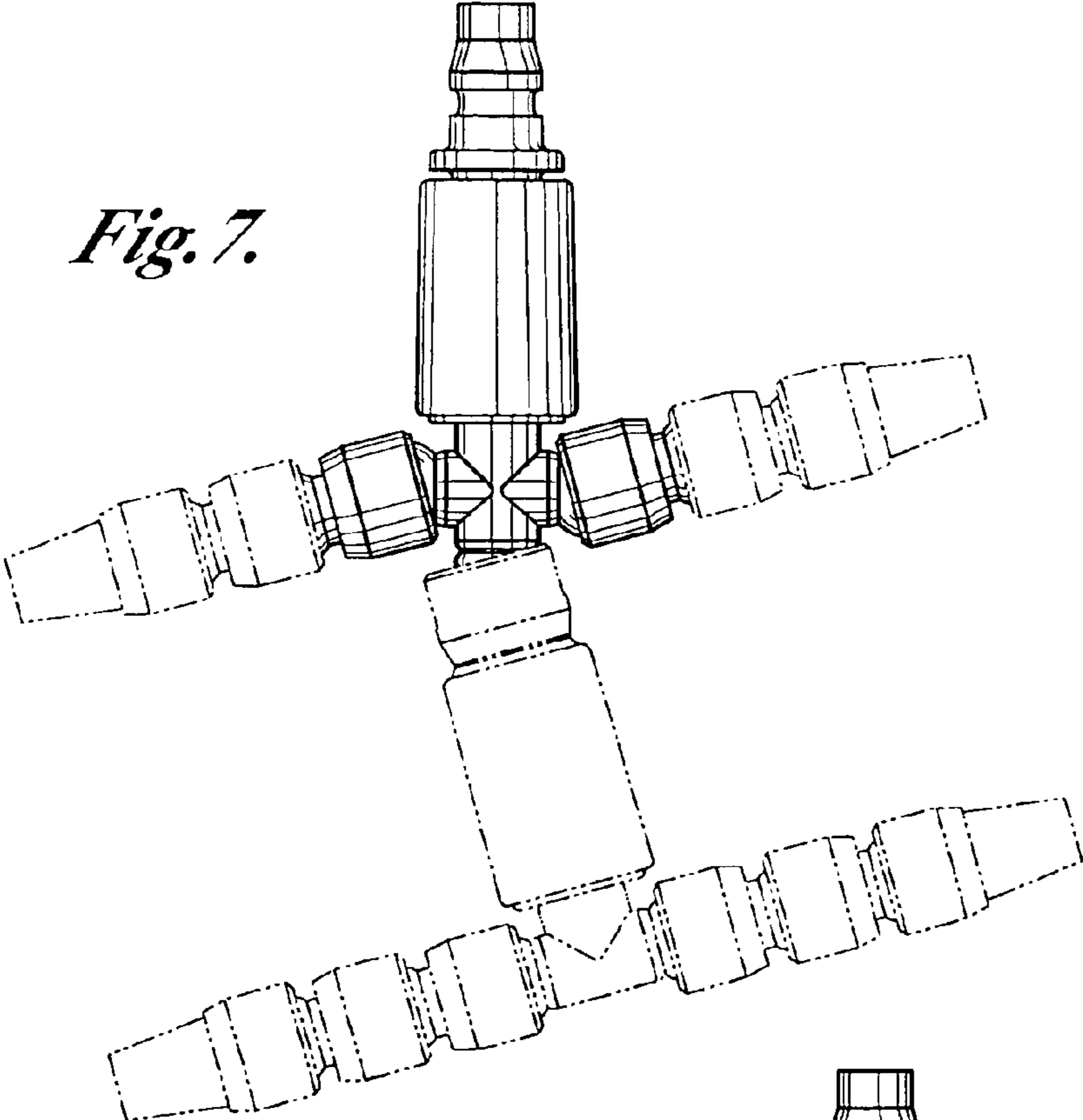


Fig. 8.

