



US00D508108S

(12) **United States Design Patent**  
**Blomstrom**

(10) **Patent No.: US D508,108 S**  
(45) **Date of Patent: \*\* Aug. 2, 2005**

(54) **SHOWERHEAD**

1991 Kallista catalog ad showing a “Magnum Spraydome”.

(75) Inventor: **John K. Blomstrom**, Sheboygan Falls,  
WI (US)

\* cited by examiner

(73) Assignee: **Kohler Co.**, Kohler, WI (US)

*Primary Examiner*—Robin V. Taylor

(\*\*) Term: **14 Years**

(74) *Attorney, Agent, or Firm*—Quarles & Brady LLP

(21) Appl. No.: **29/216,384**

(57) **CLAIM**

(22) Filed: **Nov. 2, 2004**

The ornamental design for a showerhead, as shown and described.

**Related U.S. Application Data**

(62) Division of application No. 29/194,522, filed on Nov. 25, 2003, now Pat. No. Des. 500,549.

**DESCRIPTION**

(51) **LOC (8) Cl.** ..... **23-01**

In a preferred embodiment, the nature of this product is as a showerhead primarily useful for enabling a water spray from a plumbing fitting.

(52) **U.S. Cl.** ..... **D23/229**

(58) **Field of Search** ..... D23/213, 229,  
D23/230, 223; 239/282, 283

FIG. 1 is a left, top, front perspective view of a showerhead embodying my new design;

(56) **References Cited**

**U.S. PATENT DOCUMENTS**

FIG. 2 is a front elevational view thereof;

D290,497 S	6/1987	Huen	
D430,267 S	* 8/2000	Milrud et al.	D23/229
D465,553 S	11/2002	Singtoroj	
D467,300 S	12/2002	Singtoroj	
D467,638 S	* 12/2002	Lord	D23/229
D476,062 S	6/2003	Singtoroj et al.	
D487,498 S	3/2004	Blomstrom	
D501,242 S	* 1/2005	Blomstrom	D23/229
2001/0008256 A1	7/2001	Marsh et al.	

FIG. 3 is a left side elevational view thereof, the right side elevational view thereof being a mirror image of the left side shown;

**OTHER PUBLICATIONS**

2000 Kohler catalog ad., p. 2.88, showing a K-16134 showerhead.

FIG. 4 is a top plan view thereof, the bottom plan view thereof being a mirror image of the top view shown; and,

Undated Cambrian catalog ad, p. 11, showing a sprayhead.  
Sep. 2003 Kohler catalog ad, p. 2.71, showing a “Forte” showerhead.

FIG. 5 is a rear elevational view thereof.

The broken line representations of a tab in FIGS. 2, 3, and 5, and of mounting structure in FIG. 5, are for the purpose of illustration only, and form no part of the claimed design.

**1 Claim, 3 Drawing Sheets**

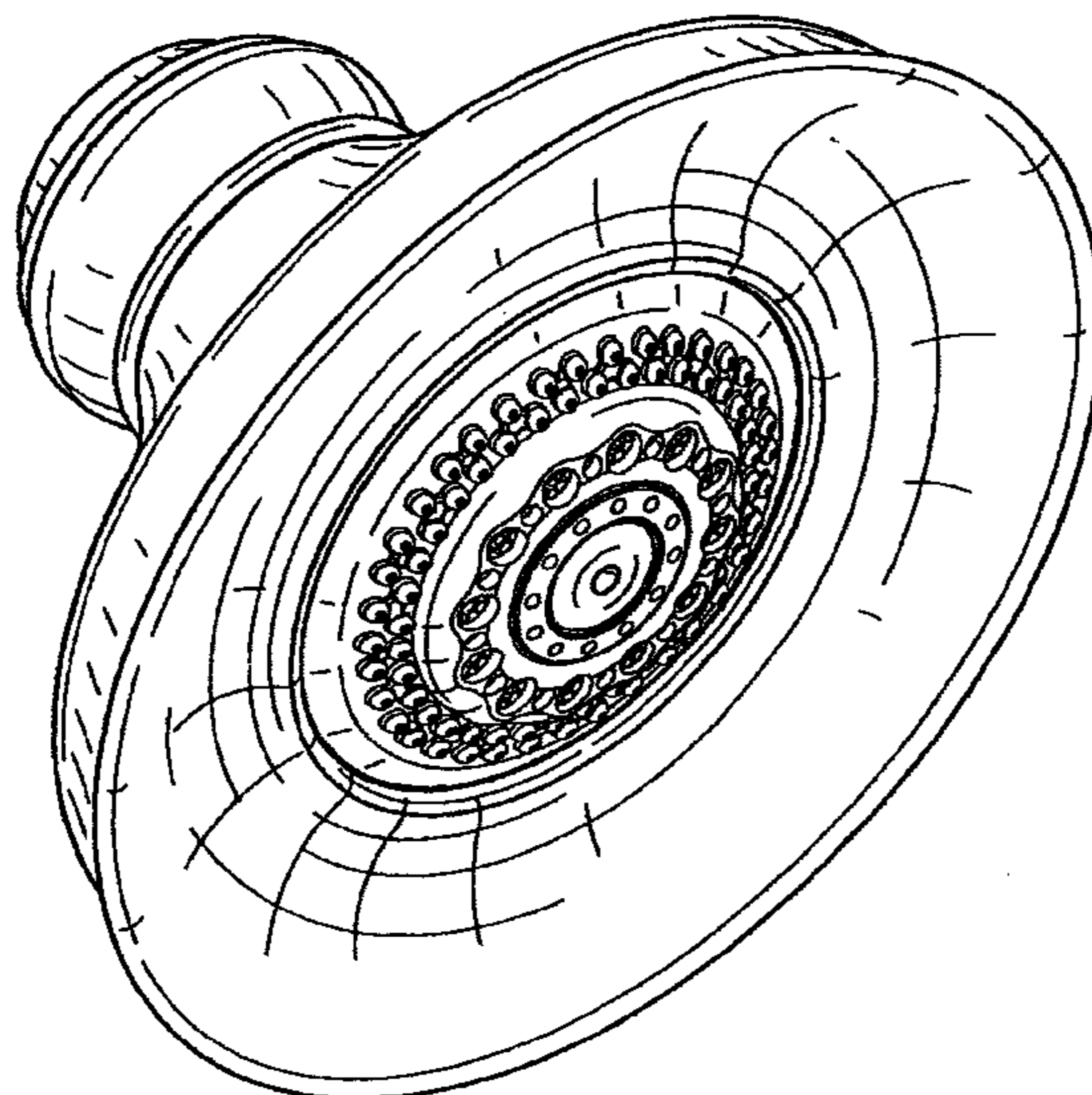


FIG. 1

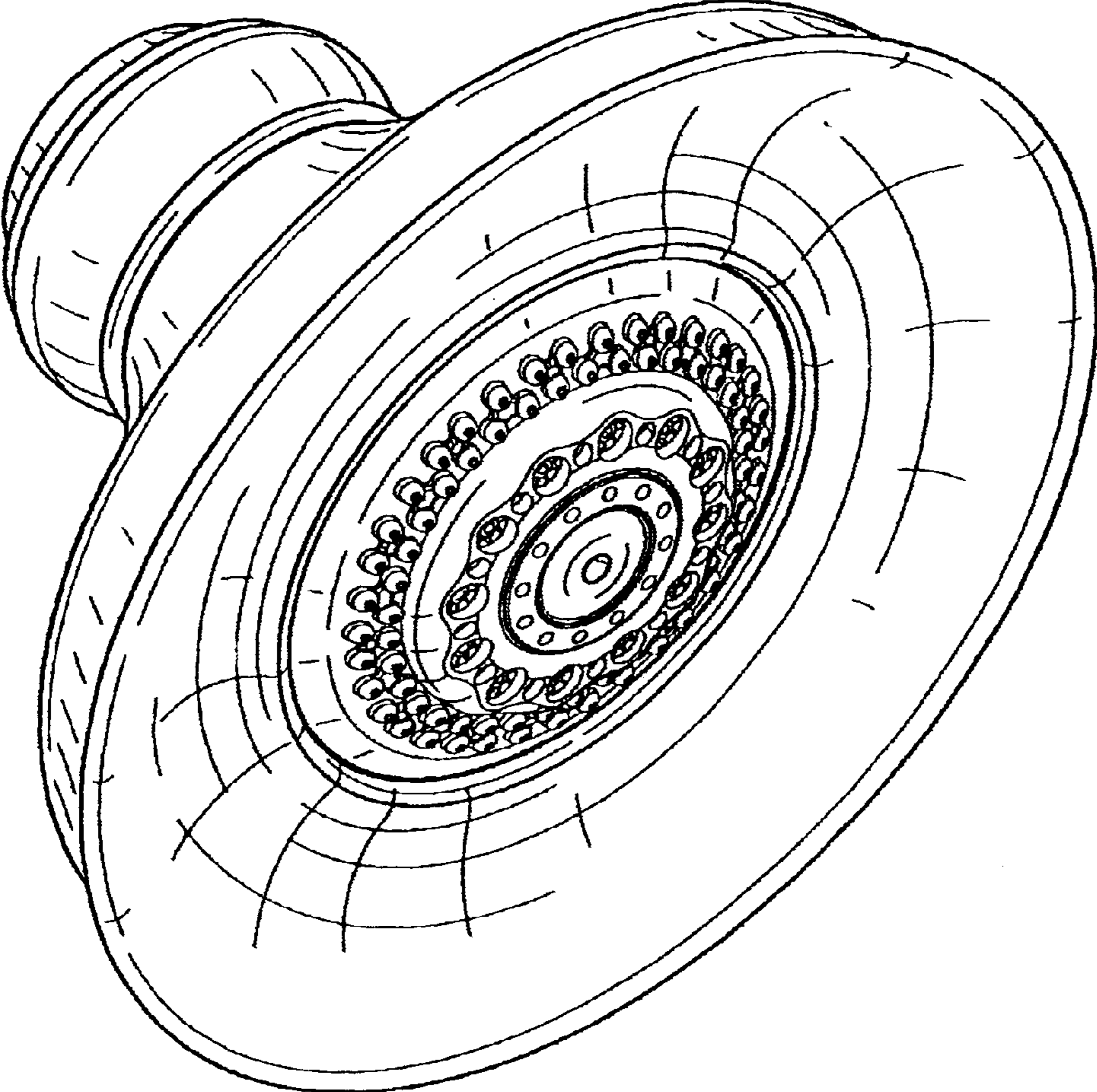


FIG. 2

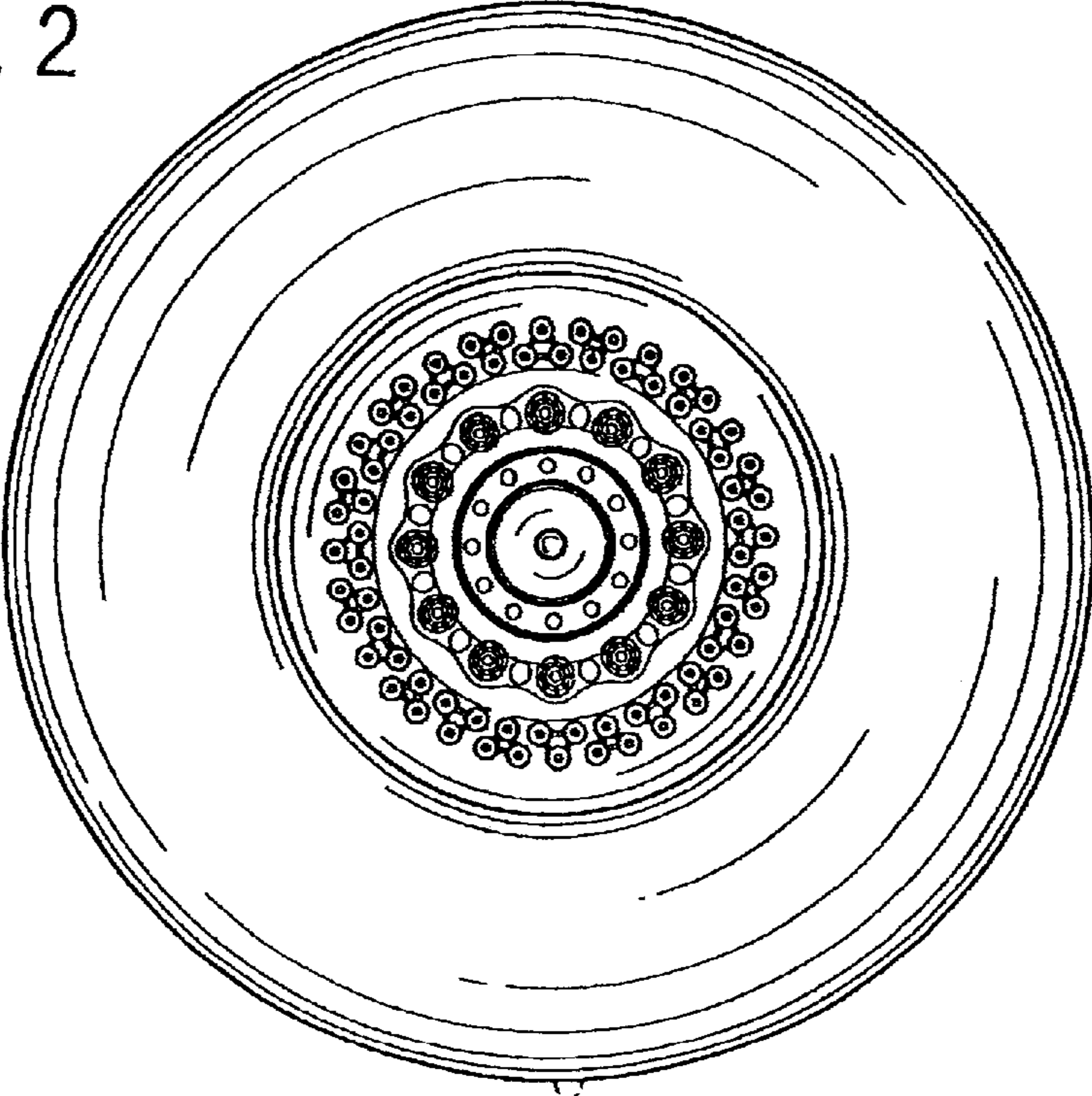


FIG. 3

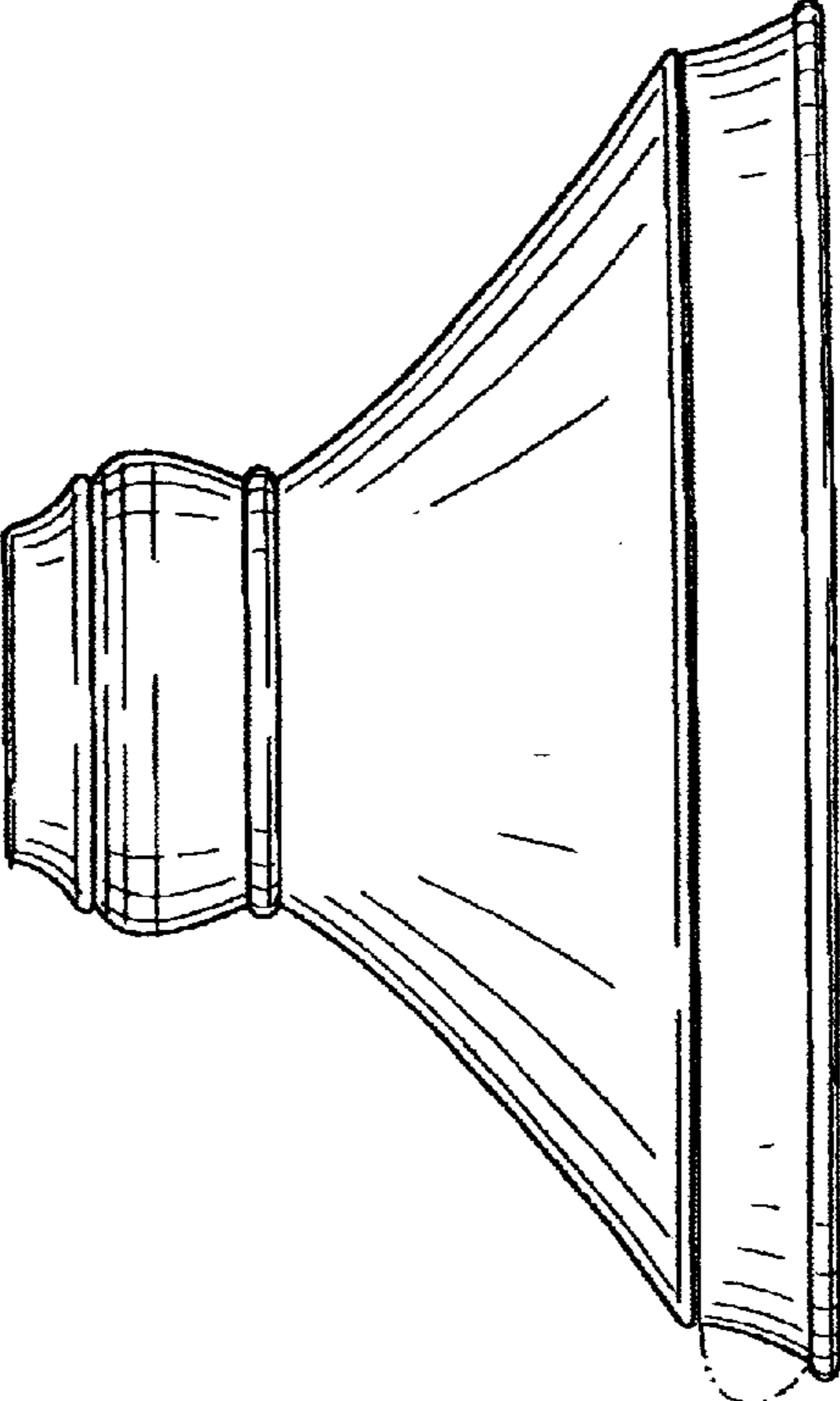


FIG. 4

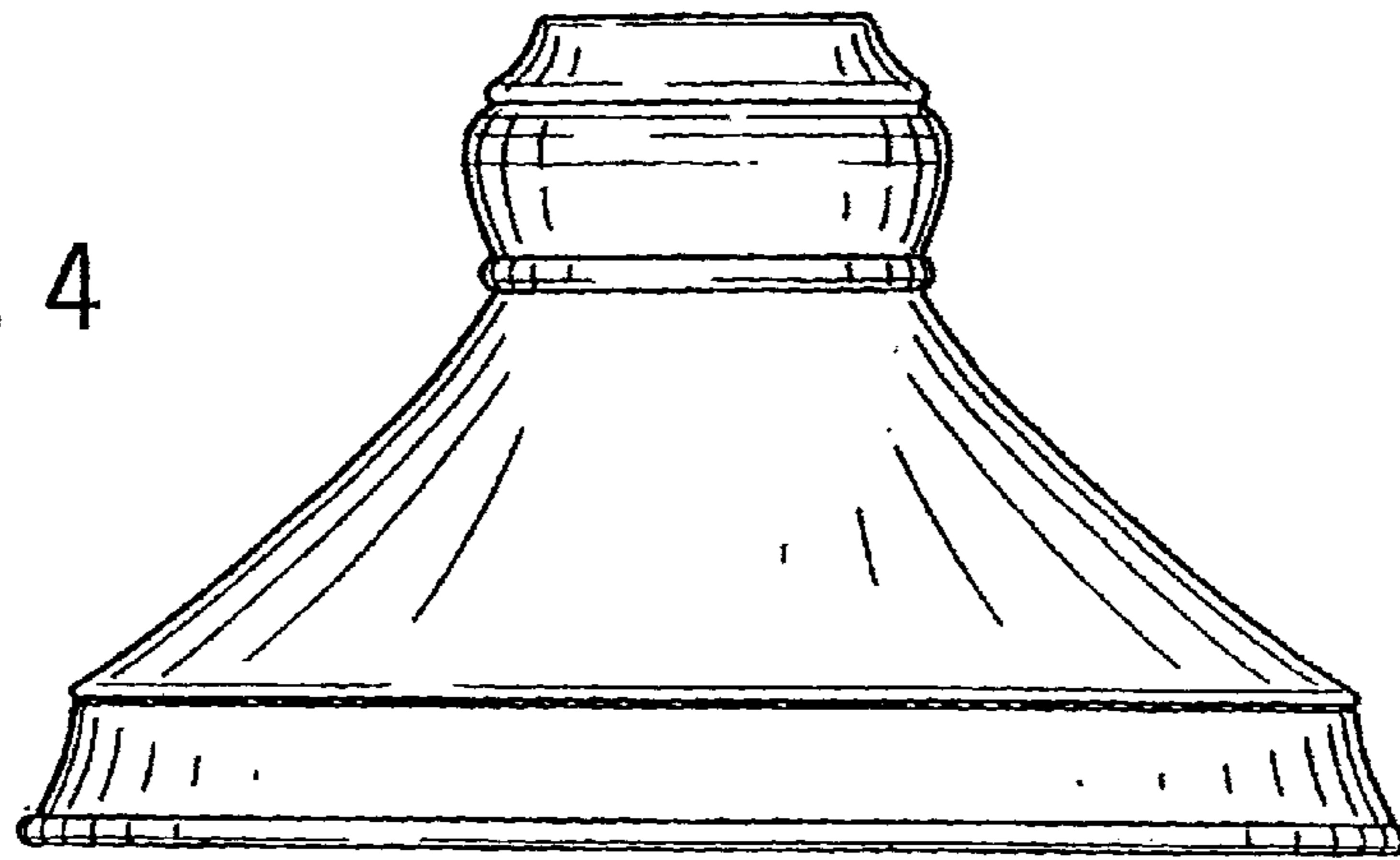


FIG. 5

