

US00D508106S

(12) **United States Design Patent**  
Nguyen et al.

(10) **Patent No.:** **US D508,106 S**

(45) **Date of Patent:** **\*\* Aug. 2, 2005**

(54) **LAVATORY DEVICE**

(75) Inventors: **Lamson Nguyen**, Somerset, NJ (US);  
**Geoffrey Hammond**, Hull (GB)

(73) Assignee: **Reckitt Benckiser Inc**, Parsippany, NJ (US)

(\*\*) Term: **14 Years**

(21) Appl. No.: **29/203,835**

(22) Filed: **Apr. 19, 2004**

(30) **Foreign Application Priority Data**

Oct. 21, 2003 (GB) ..... 3014859

(51) **LOC (8) Cl.** ..... **23-01**

(52) **U.S. Cl.** ..... **D23/208**

(58) **Field of Search** ..... D23/208, 207;  
4/231, 223, 225.1, 227.1

(56) **References Cited**

**U.S. PATENT DOCUMENTS**

4,261,957 A \* 4/1981 Schimanski ..... 422/263

D475,118 S \* 5/2003 Legeay ..... D23/208  
D481,099 S \* 10/2003 Legeay ..... D23/208  
D481,100 S \* 10/2003 Legeay ..... D23/208  
D484,566 S \* 12/2003 Legeay ..... D23/208

\* cited by examiner

*Primary Examiner*—Robin V. Taylor

(74) *Attorney, Agent, or Firm*—Norris McLaughlin & Marcus, PA

(57) **CLAIM**

The ornamental design for a lavatory device, as shown and described.

**DESCRIPTION**

FIG. 1 is a perspective view of the front of the lavatory device;

FIG. 2 is a plan view of the front thereof;

FIG. 3 is a plan view of the rear thereof;

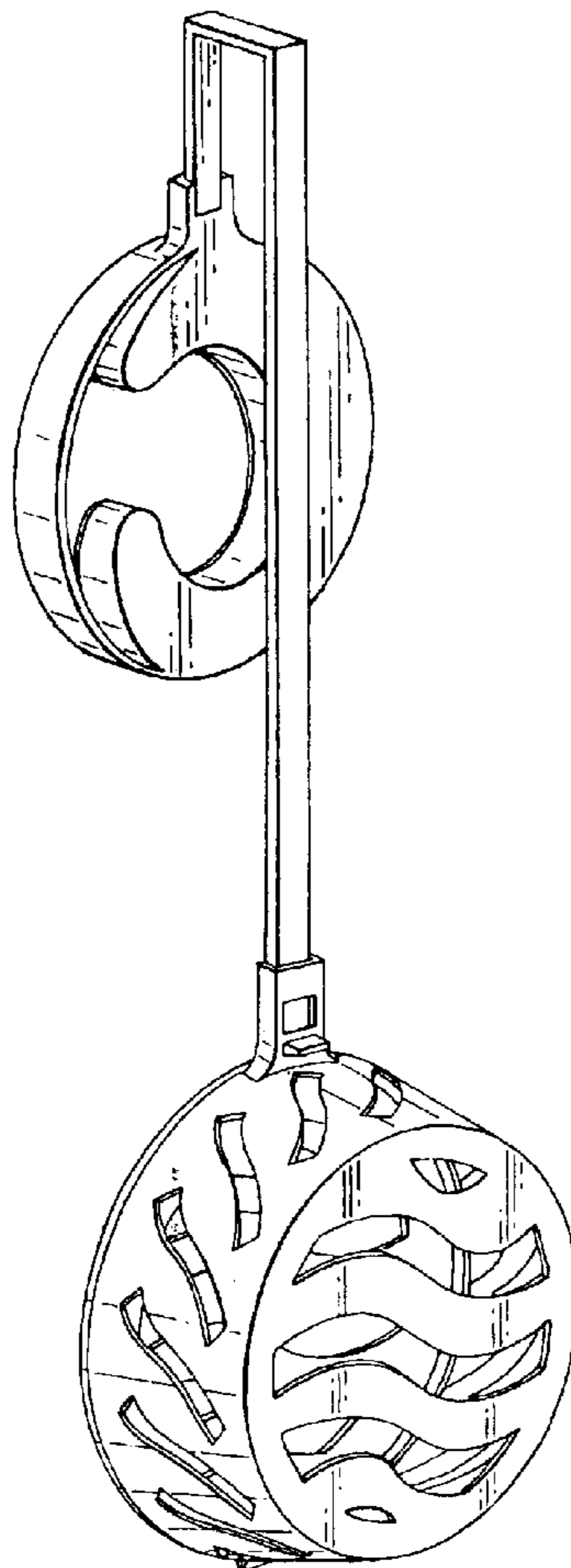
FIG. 4 is a plan view of the top thereof;

FIG. 5 is a plan view of the bottom thereof;

FIG. 6 is a plan view of one side thereof; and,

FIG. 7 is a plan view of the other side thereof.

**1 Claim, 3 Drawing Sheets**



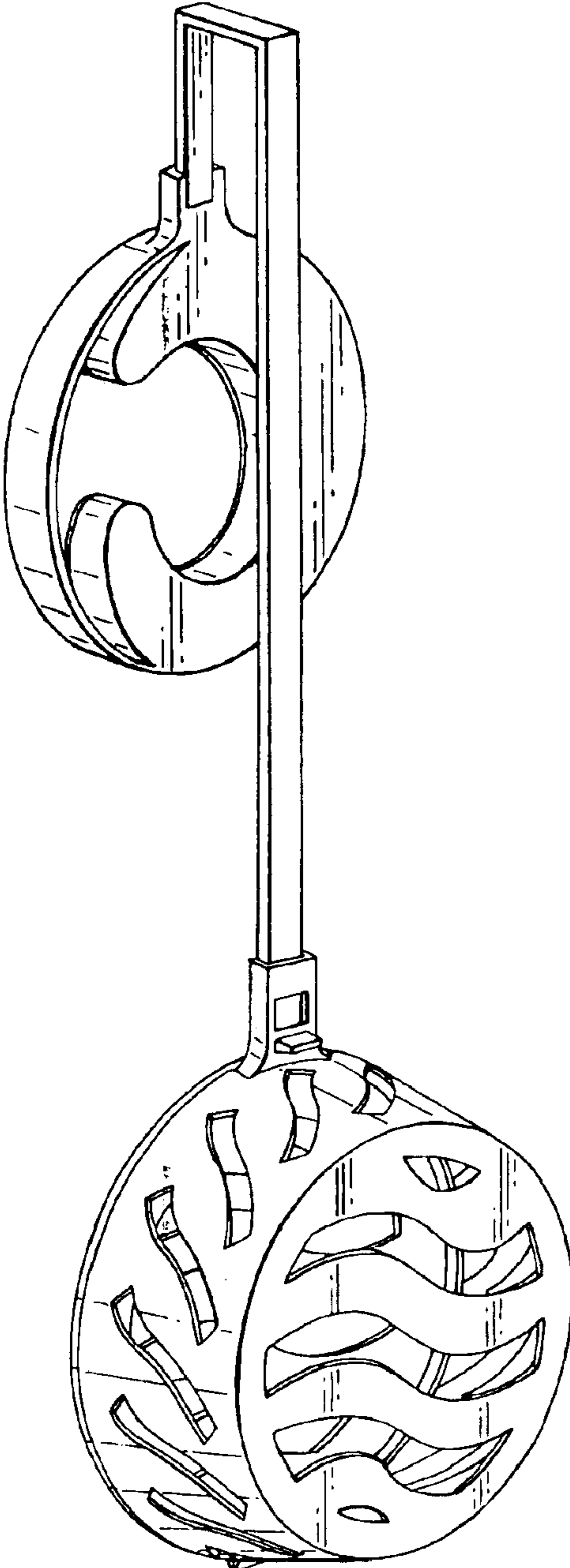


Fig.1.

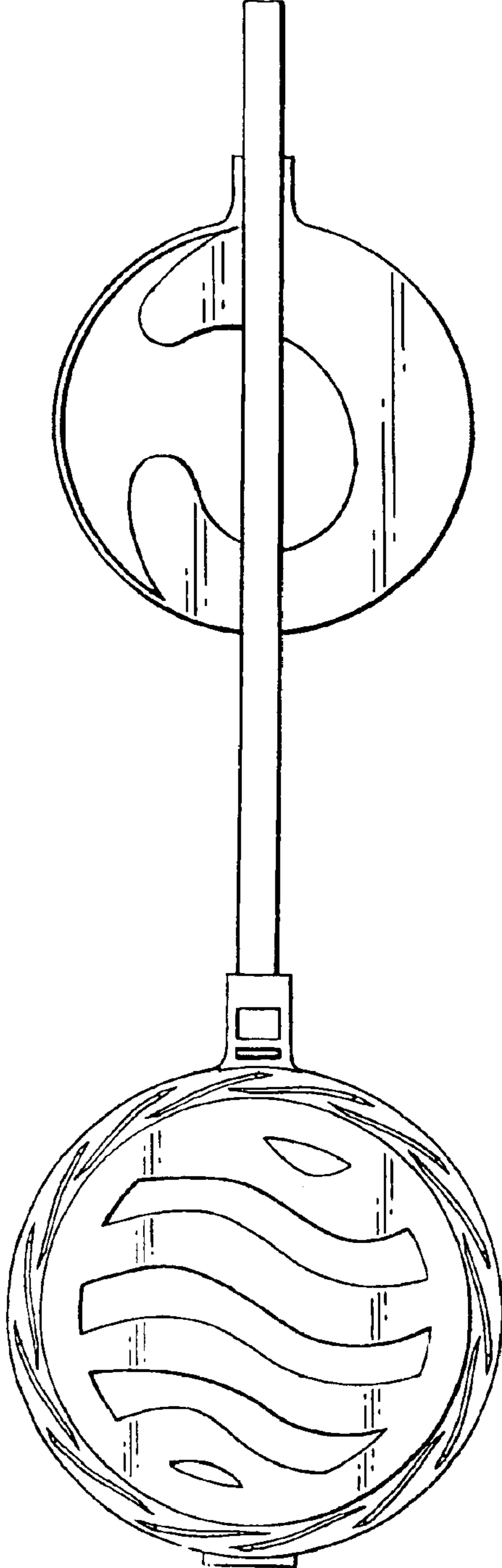


Fig.2.

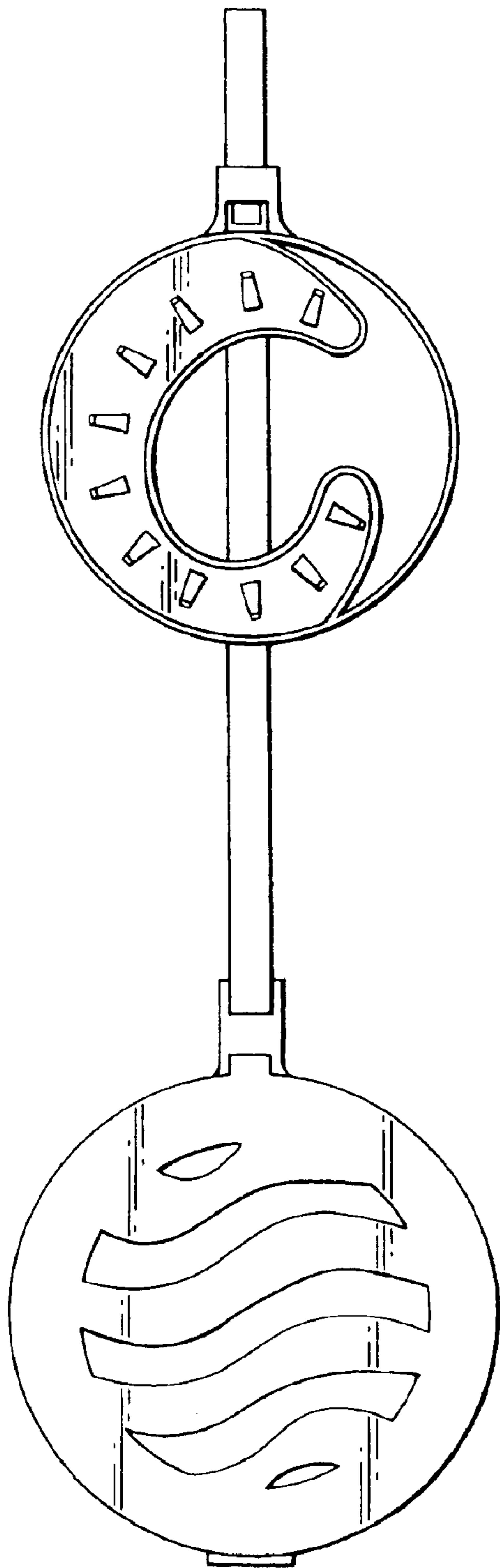


Fig.3.

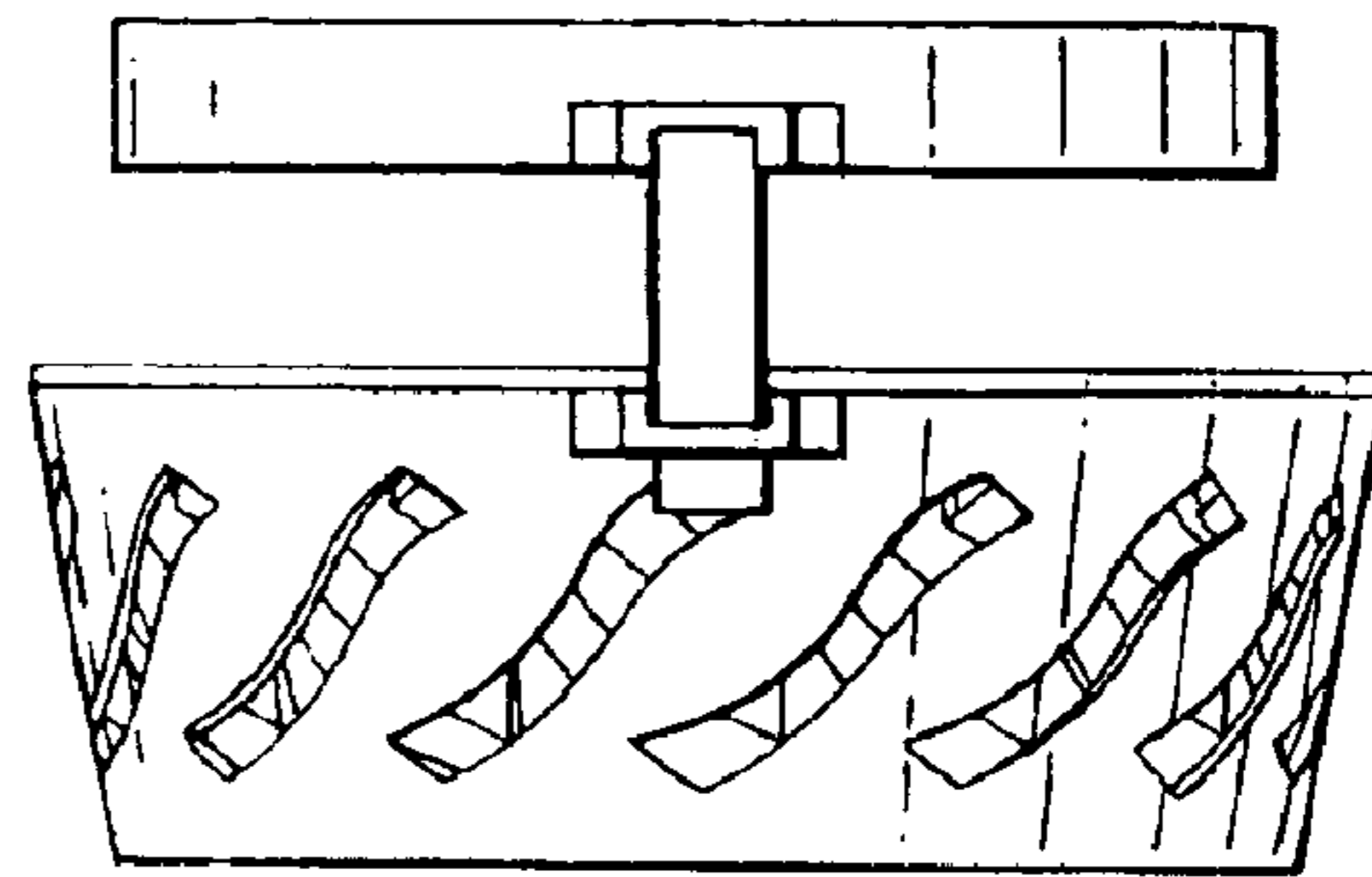


Fig.4.

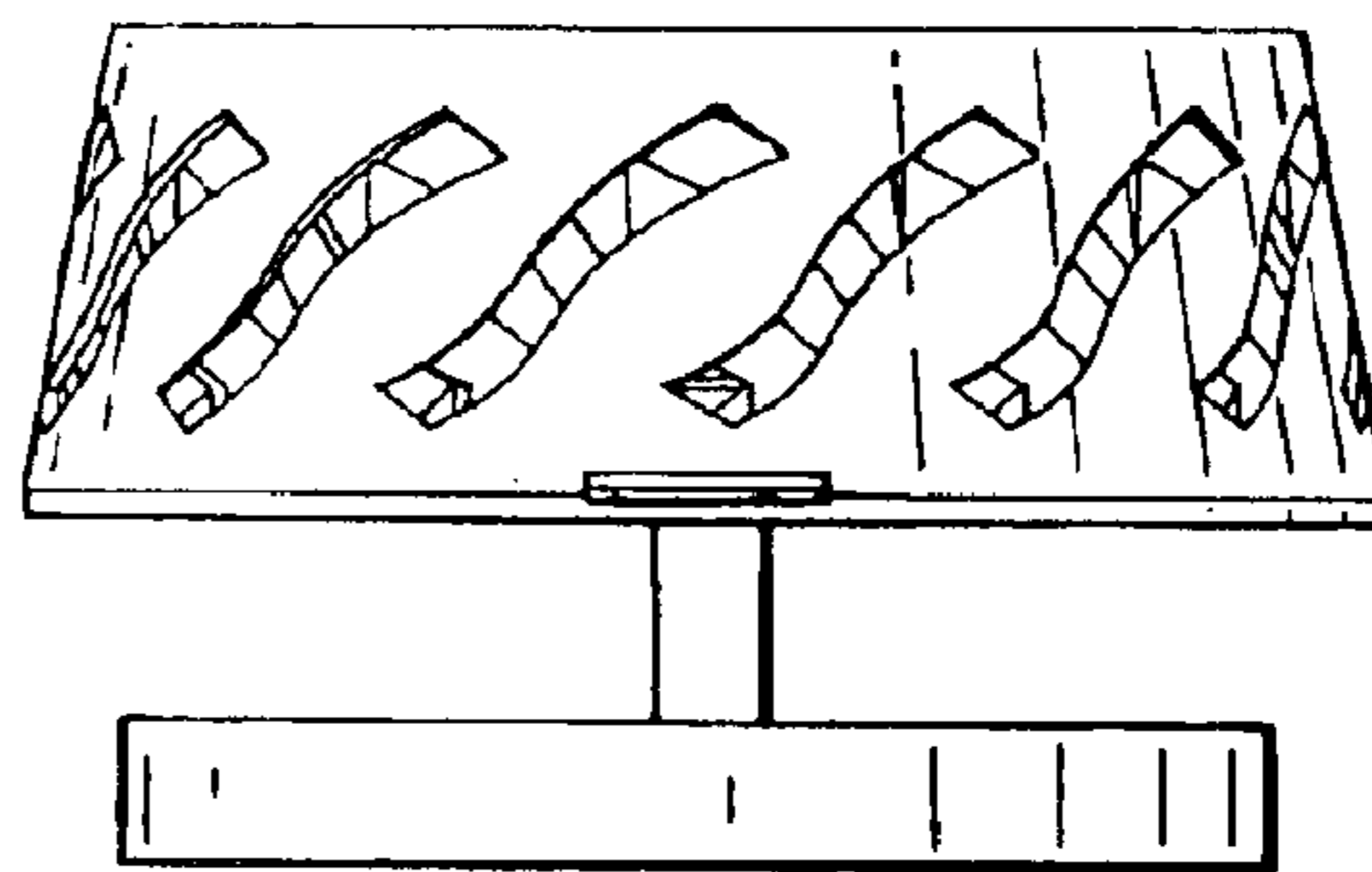


Fig.5.

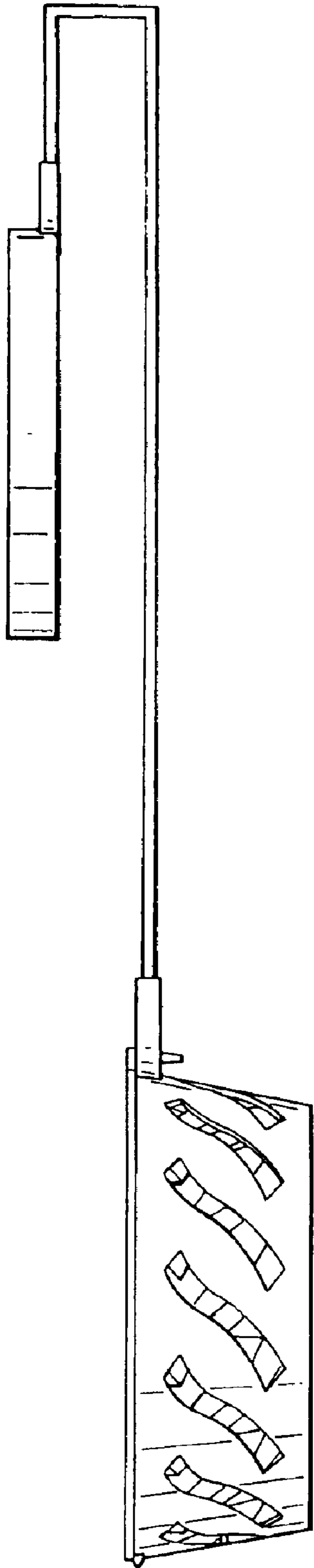


Fig. 6.

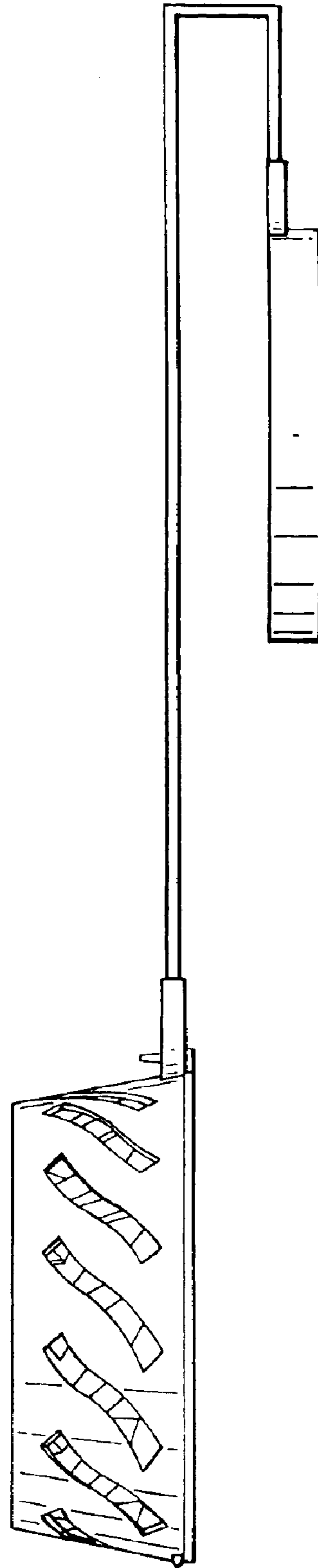


Fig. 7.