

US00D508100S

(12) **United States Design Patent**
McCabe

(10) **Patent No.:** **US D508,100 S**

(45) **Date of Patent:** **** Aug. 2, 2005**

(54) **GOLF CLUB COVER**

D466,568 S * 12/2002 Pontiff D21/754
D466,572 S * 12/2002 Pontiff D21/754

(76) **Inventor:** **Robert McCabe, 727 S. Stone Ave.,
LaGrange, IL (US) 60525**

* cited by examiner

(**) **Term:** **14 Years**

Primary Examiner—Mitchell Siegel
(74) *Attorney, Agent, or Firm*—Justin Lampel

(21) **Appl. No.:** **29/200,508**

(57) **CLAIM**

(22) **Filed:** **Mar. 1, 2004**

The ornamental design for a golf club cover, as shown and described.

(51) **LOC (8) Cl.** **21-02**

(52) **U.S. Cl.** **D21/754**

(58) **Field of Search** D21/754; 150/160;
446/297

DESCRIPTION

FIG. 1 is a side perspective view of a golf club cover showing my design;

FIG. 2 is a front view of the present invention;

FIG. 3 is a side view of the present invention;

FIG. 4 is a top plan view of the present invention;

FIG. 5 is a bottom plan view of the present invention; and,
FIG. 6 is a rear view of the present invention.

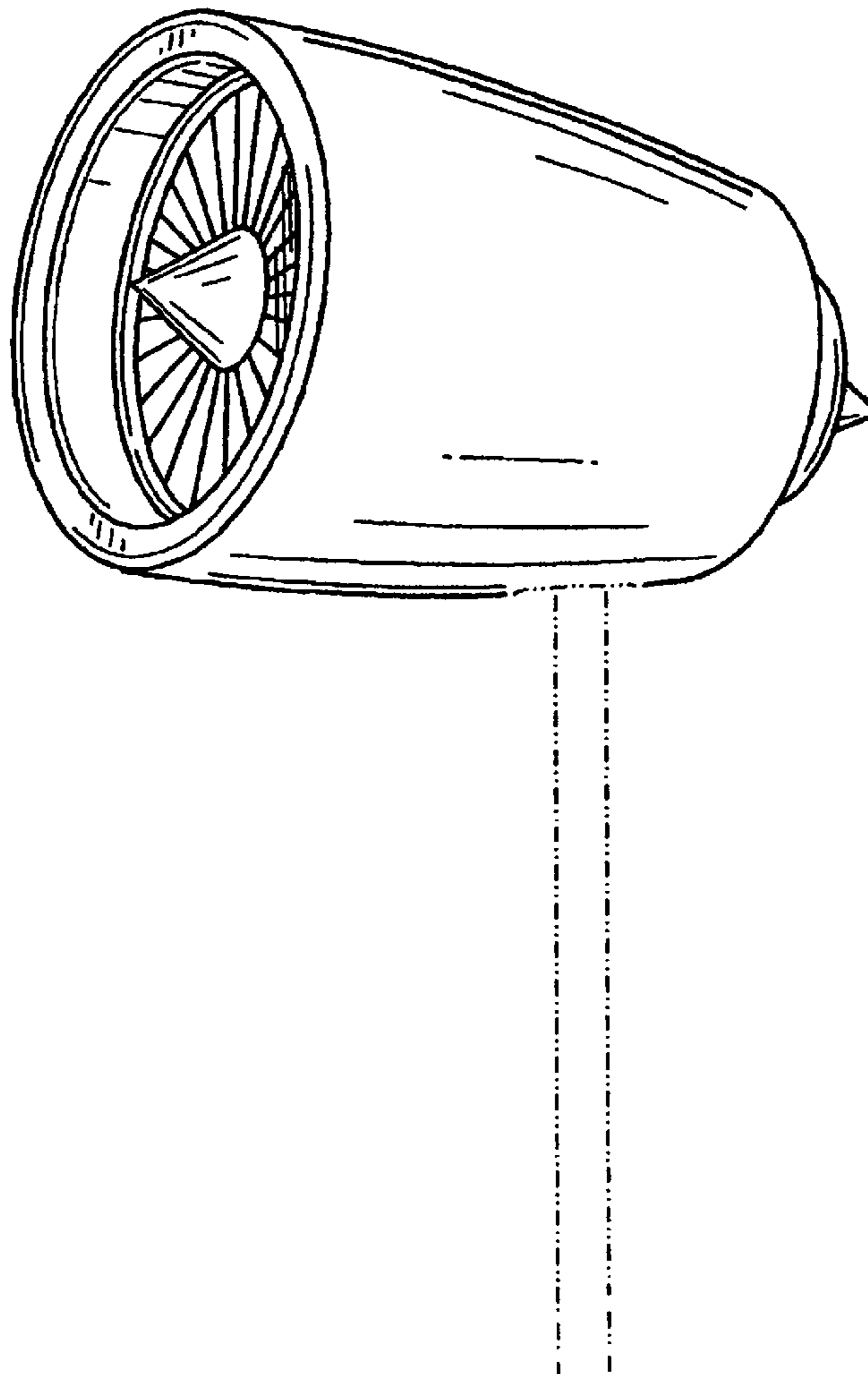
The broken line showing is for illustrative purposes only and forms no part of the claimed design.

(56) **References Cited**

U.S. PATENT DOCUMENTS

D395,694 S	*	6/1998	Perry et al.	D21/754
D401,638 S	*	11/1998	Pollard	D21/754
D403,727 S	*	1/1999	Colinelli	D21/754
6,113,457 A	*	9/2000	Kociemba	446/297
D443,666 S	*	6/2001	Perry et al.	D21/754
D465,536 S	*	11/2002	Pontiff	D21/754

1 Claim, 4 Drawing Sheets



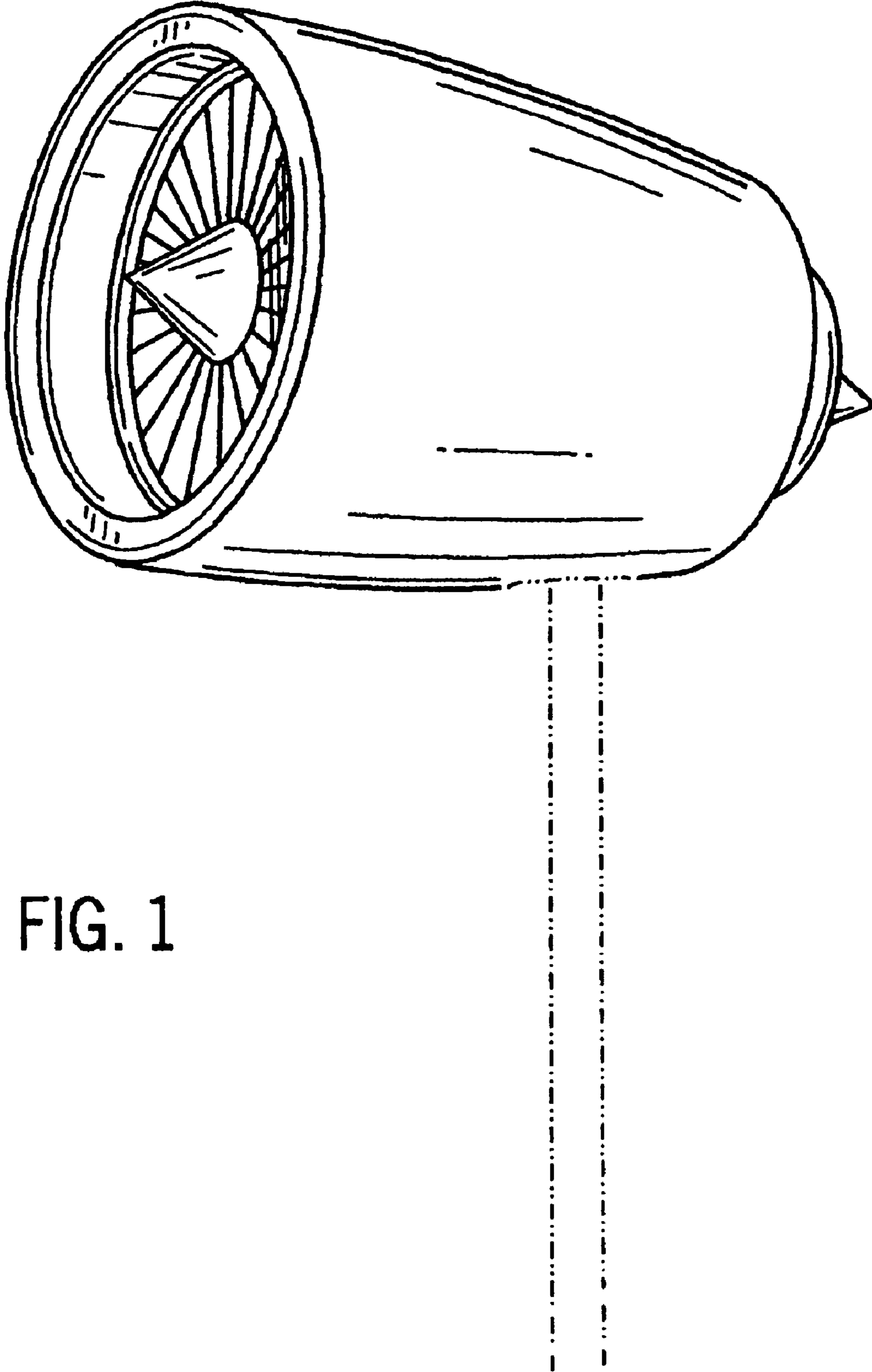


FIG. 1

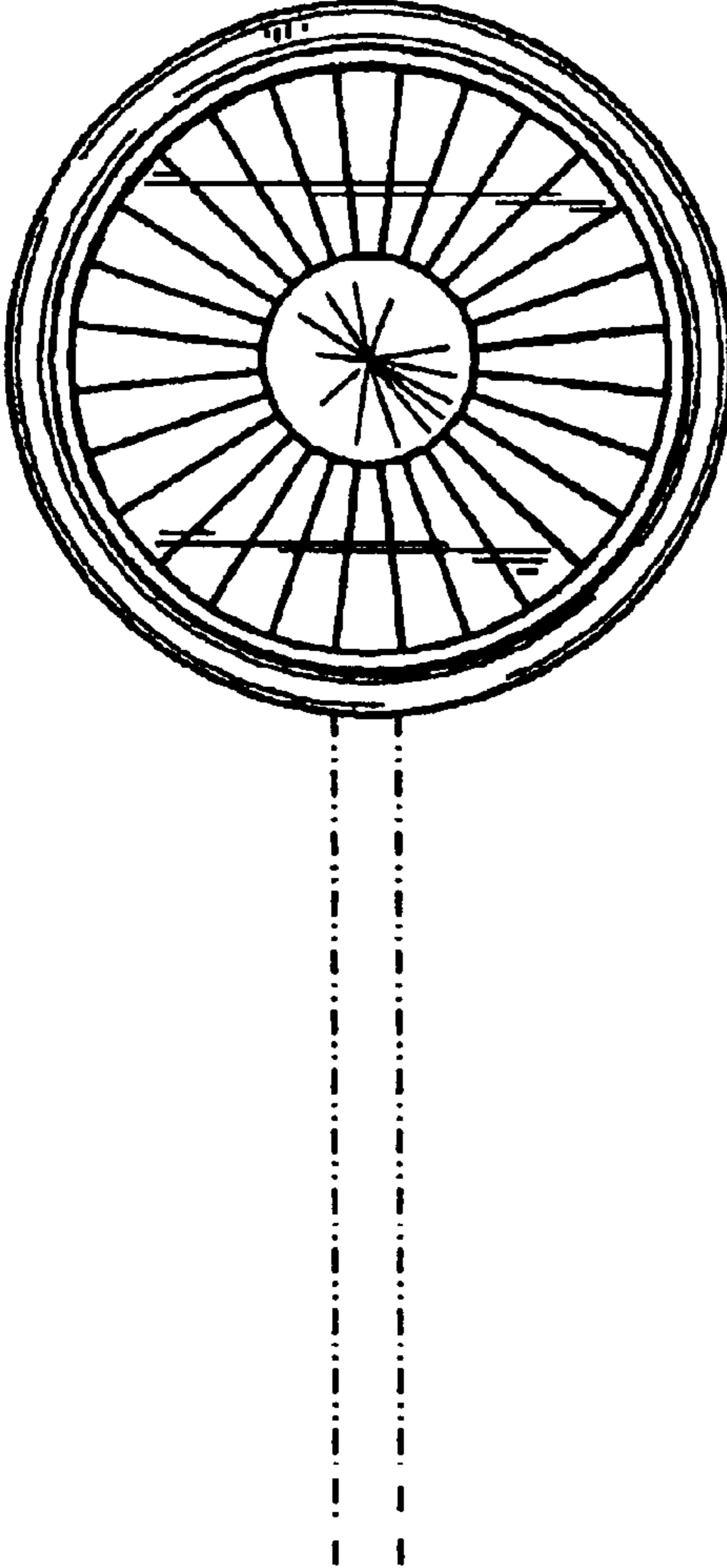


FIG. 2

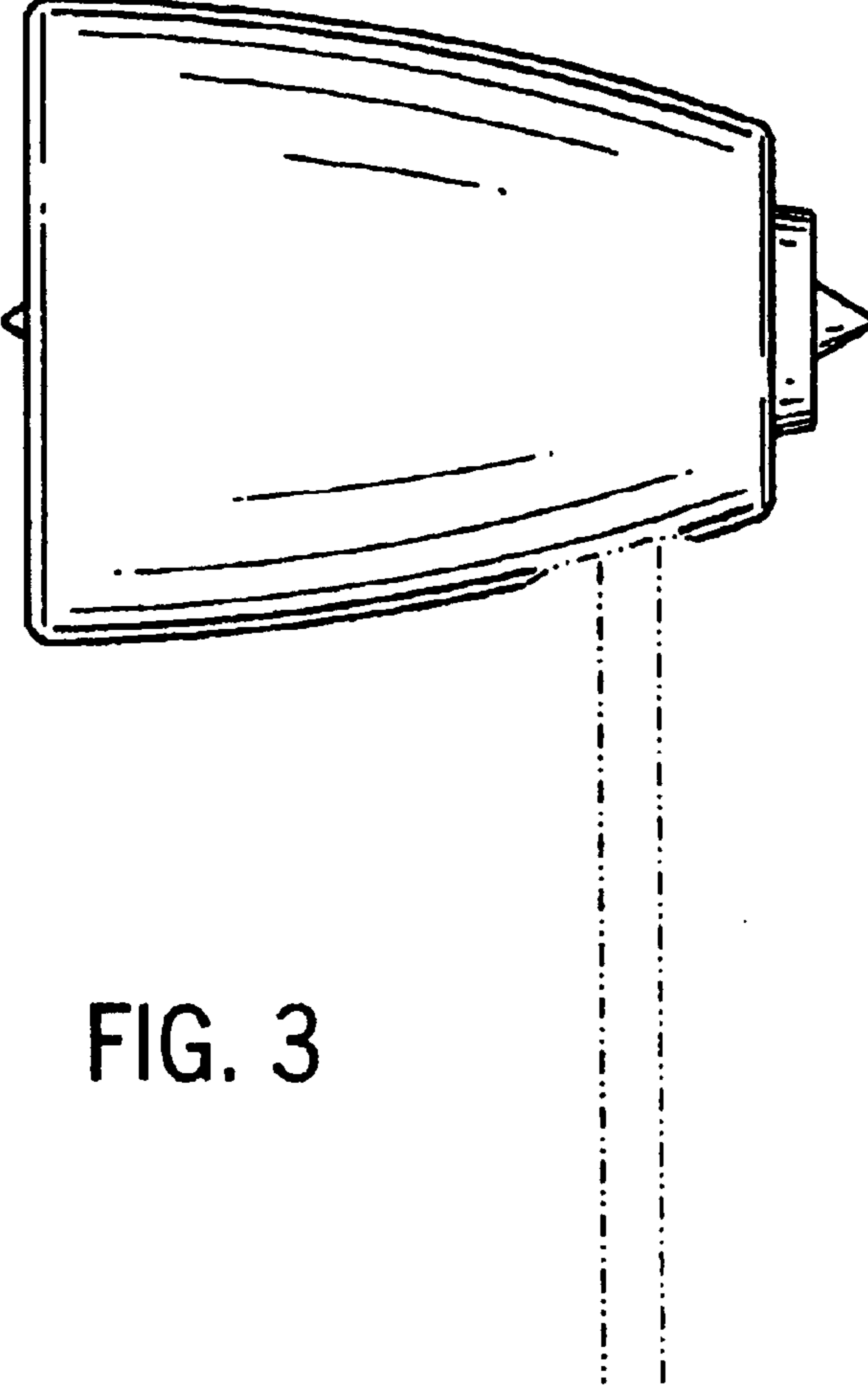


FIG. 3

FIG. 4

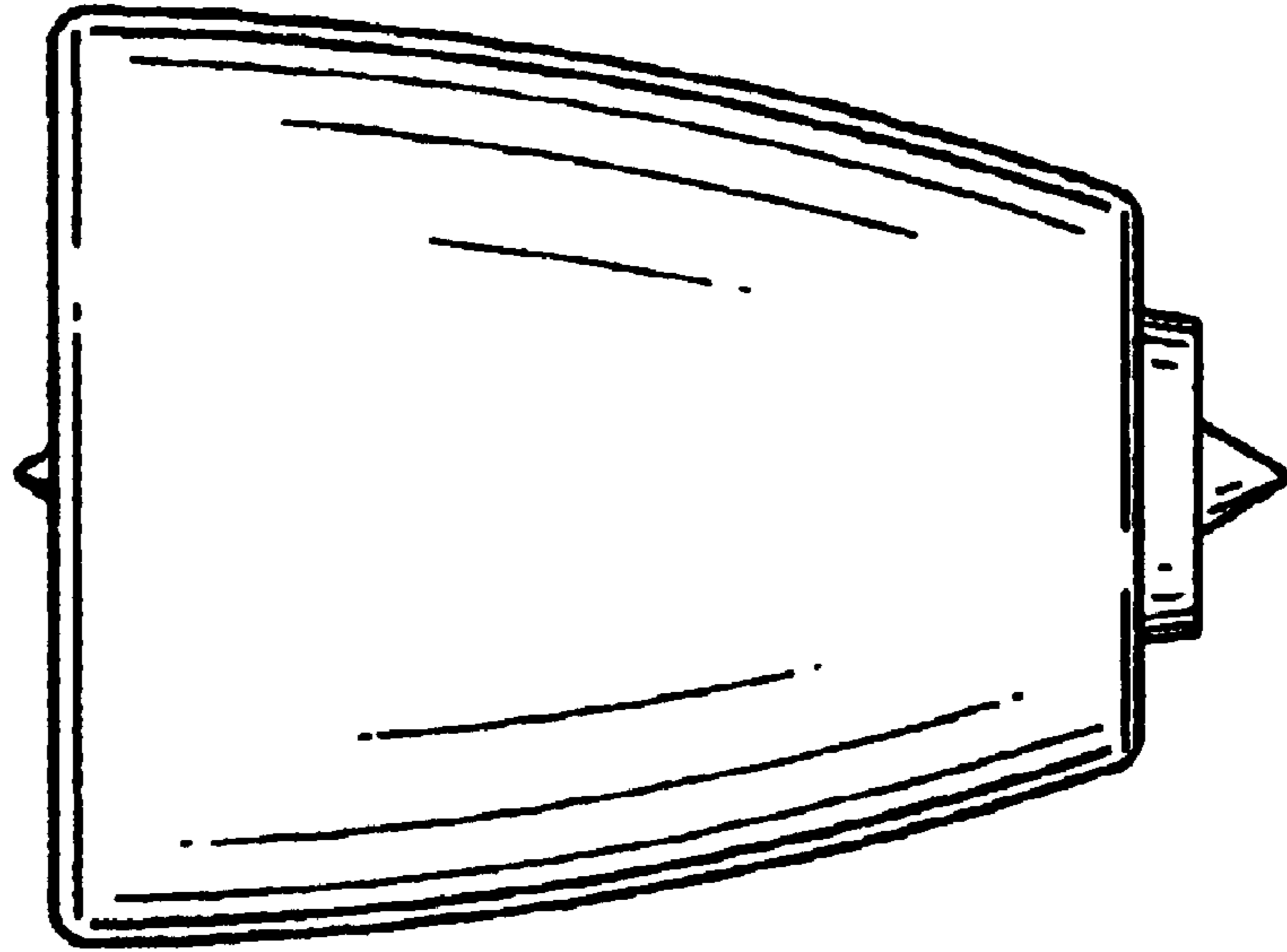


FIG. 5

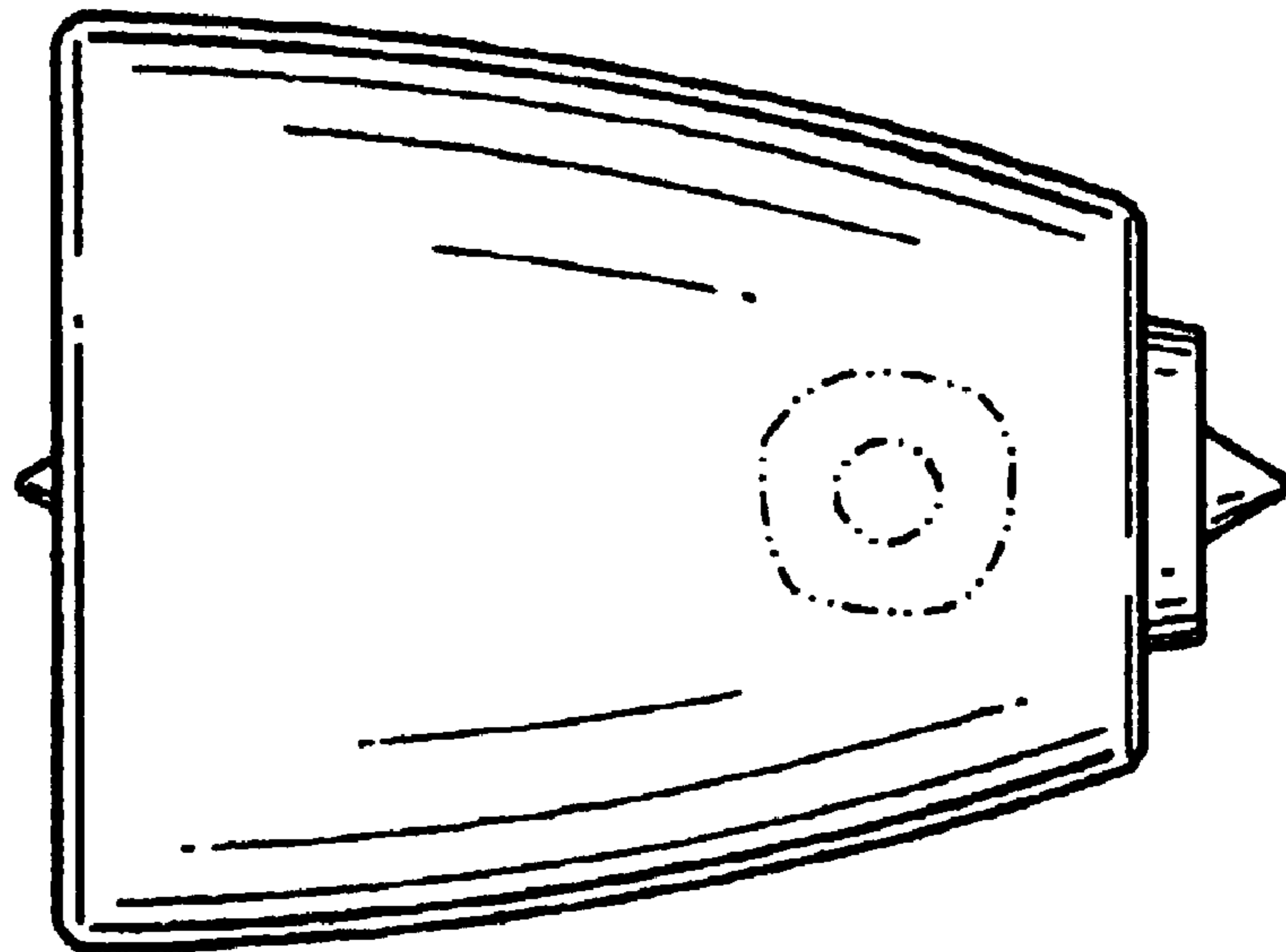


FIG. 6

