

US00D508096S

(12) **United States Design Patent**
Koshiishi

(10) **Patent No.:** **US D508,096 S**
(45) **Date of Patent:** **** Aug. 2, 2005**

(54) **ARM FOR A ROBOT**

(75) **Inventor:** **Takeshi Koshiishi, Saitama (JP)**

(73) **Assignee:** **Honda Giken Kogyo Kabushiki Kaisha, Tokyo (JP)**

(**) **Term:** **14 Years**

(21) **Appl. No.:** **29/189,970**

(22) **Filed:** **Sep. 15, 2003**

(30) **Foreign Application Priority Data**

Mar. 28, 2003 (JP) 2003-008542

(51) **LOC (8) Cl.** **21-01**

(52) **U.S. Cl.** **D21/578**

(58) **Field of Search** D21/576, 578,
D21/579-585, 593, 594, 621, 622, 637,
658; 446/268, 294, 270-272, 376-384,
297-303, 353-355, 390, 279-280, 289-292;
700/245

(56) **References Cited**

U.S. PATENT DOCUMENTS

5,318,202 A * 6/1994 D'Andrade 222/78
D404,441 S * 1/1999 Tong D21/621
D410,476 S * 6/1999 Gomi et al. D15/199
6,301,526 B1 * 10/2001 Kim et al. 700/260
6,328,625 B1 * 12/2001 Lee et al. 446/376

D460,131 S * 7/2002 Koshiishi D21/578
6,640,160 B2 * 10/2003 Takahashi et al. 700/245
6,741,911 B2 * 5/2004 Simmons 700/245

OTHER PUBLICATIONS

A*So*Bot Robodex 200 Offical Guide Book. Nov. 2000. p. 7.*

* cited by examiner

Primary Examiner—Lucy Lieberman

Assistant Examiner—Vy Nguyen

(74) *Attorney, Agent, or Firm*—Westerman, Hattori, Daniels & Adrian, LLP

(57) **CLAIM**

The ornamental design for, arm for a robot, as shown and described.

DESCRIPTION

FIG. 1 is a front elevation view of arm for a robot, showing our new design;
FIG. 2 is a rear elevation view thereof;
FIG. 3 is a top plan view thereof;
FIG. 4 is a bottom plan view thereof;
FIG. 5 is a right side elevation view thereof;
FIG. 6 is a left side elevation view thereof;
FIG. 7 is a perspective view thereof; and,
FIG. 8 is another perspective view thereof.

1 Claim, 8 Drawing Sheets

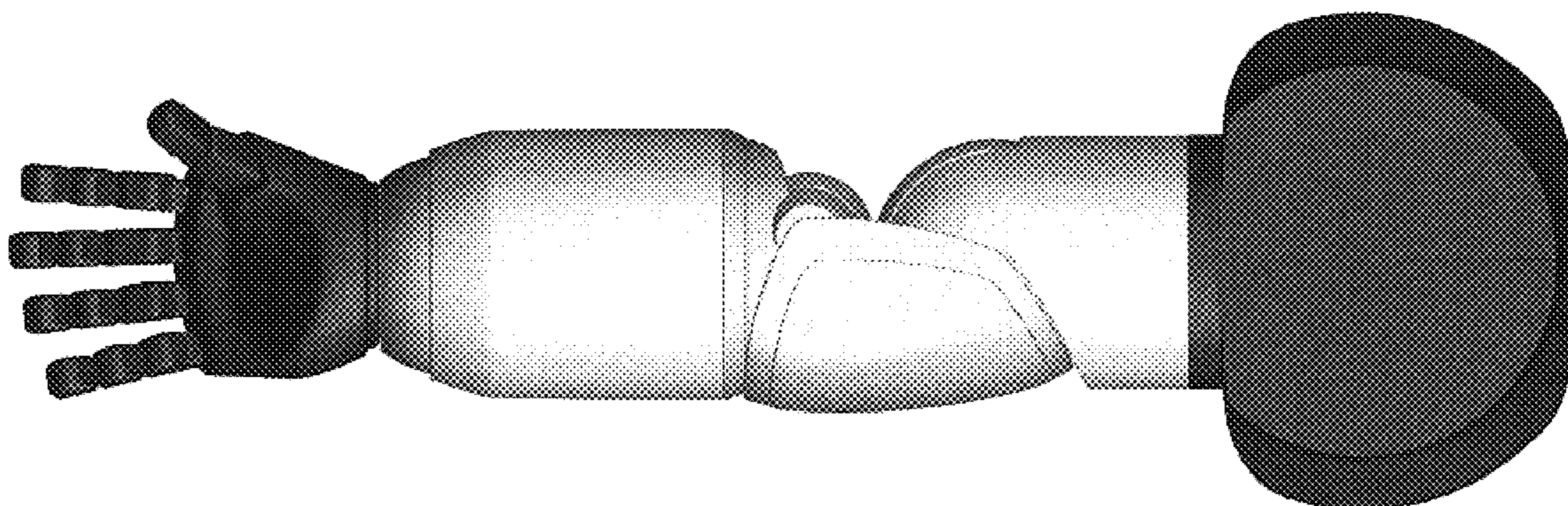


FIG.1

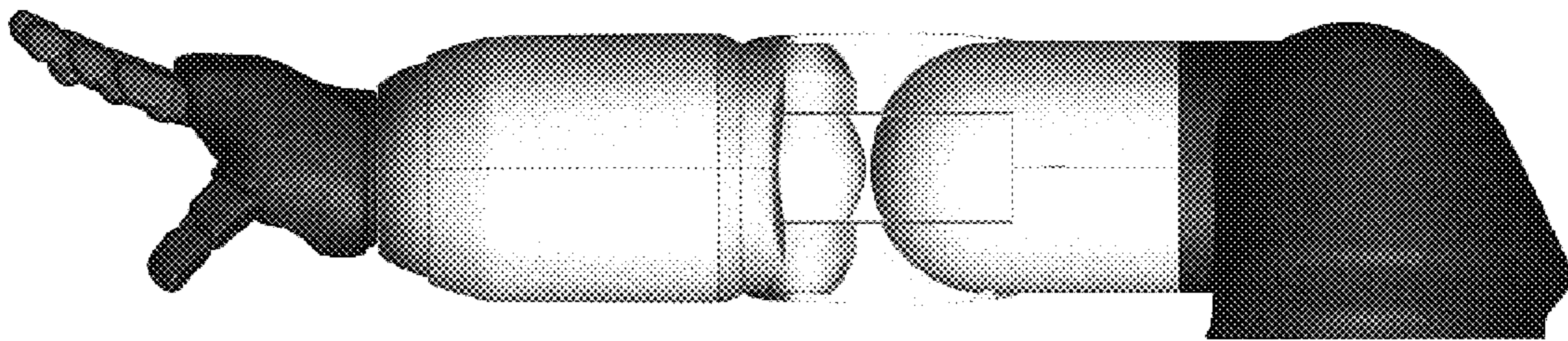


FIG.2

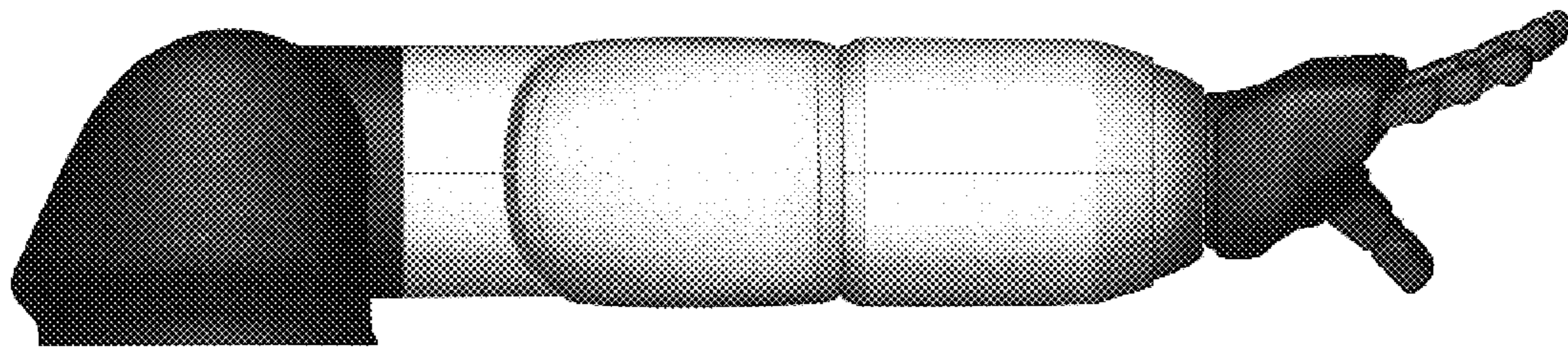


FIG.3

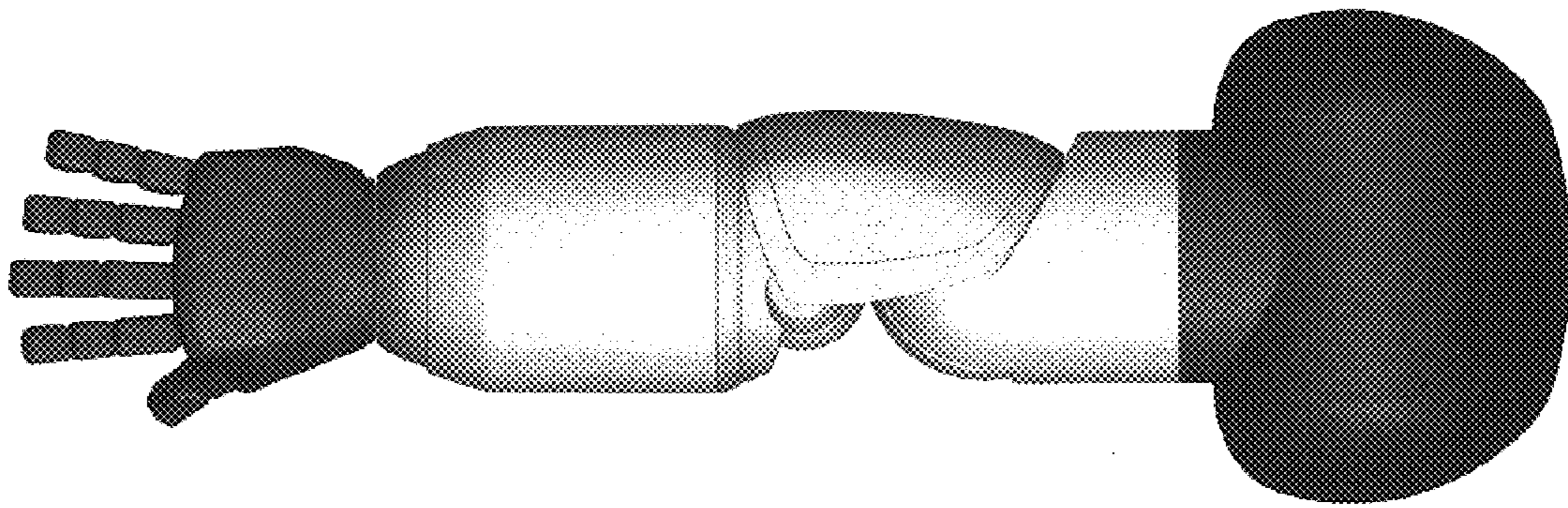


FIG.4

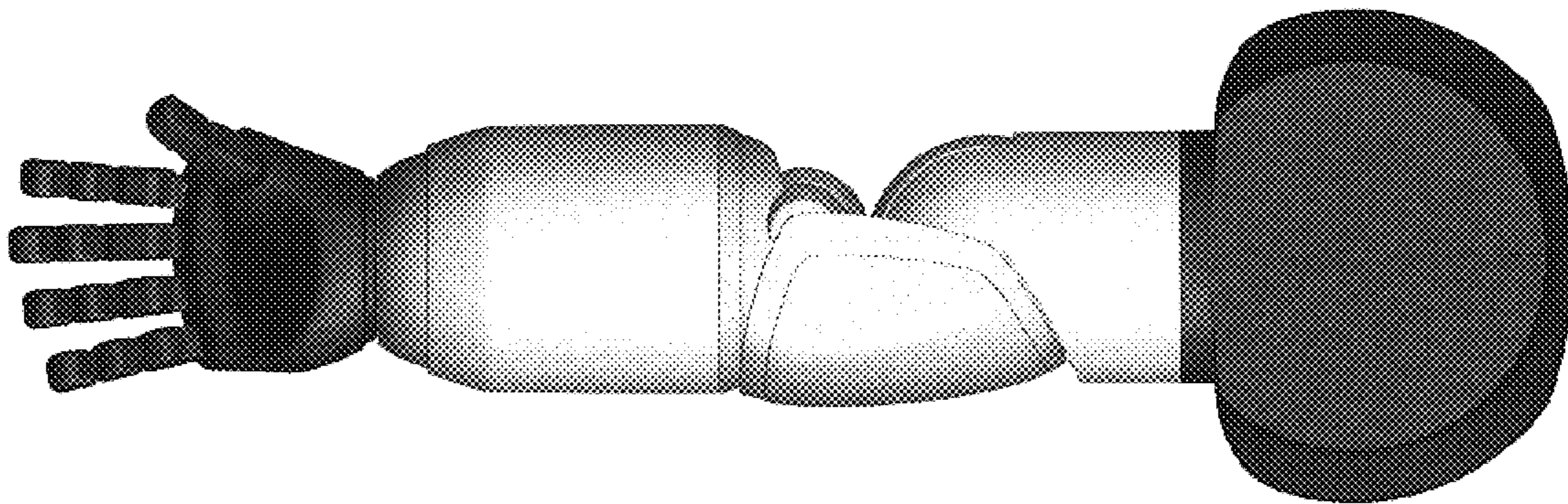


FIG.5

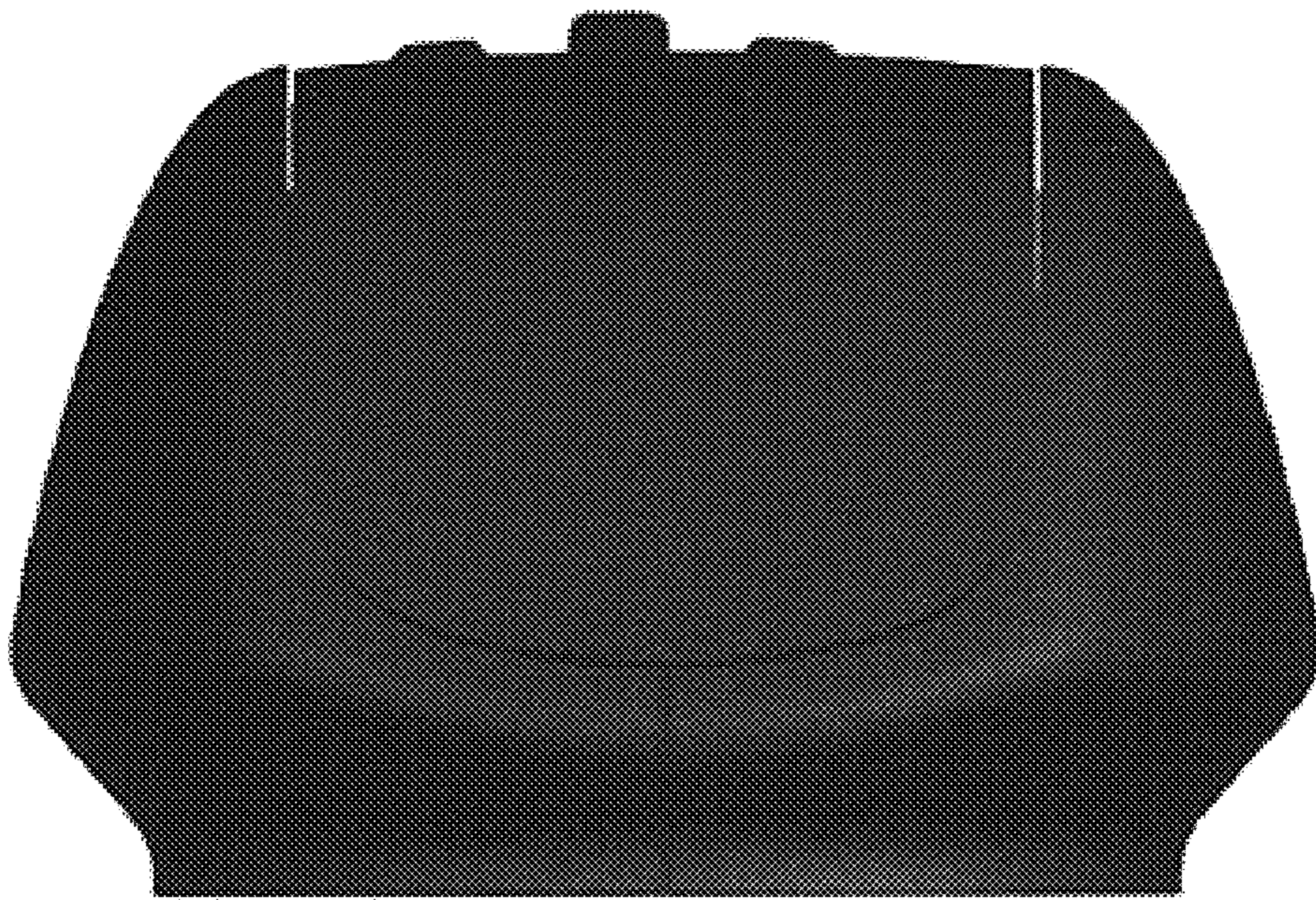


FIG.6

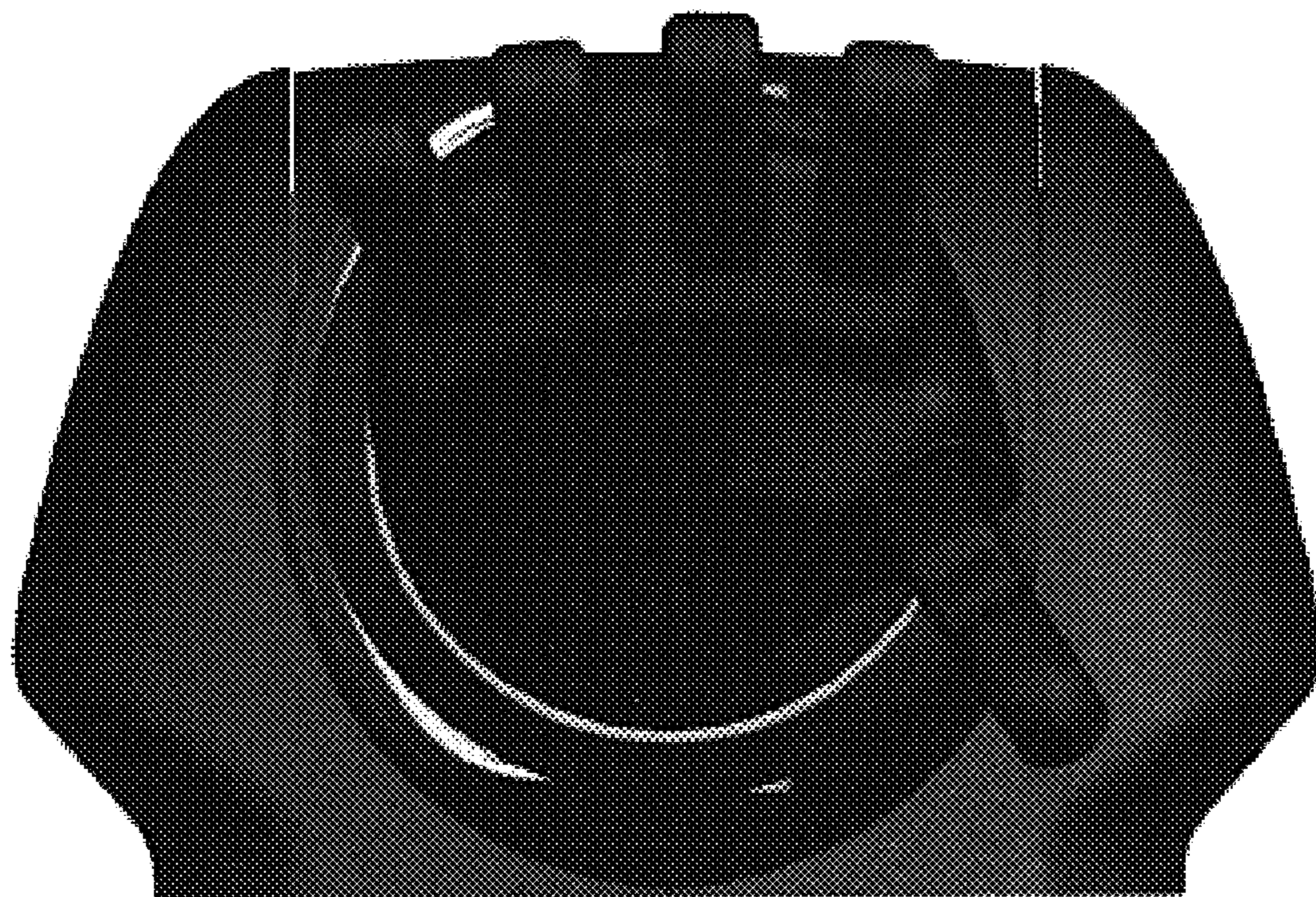


FIG.7

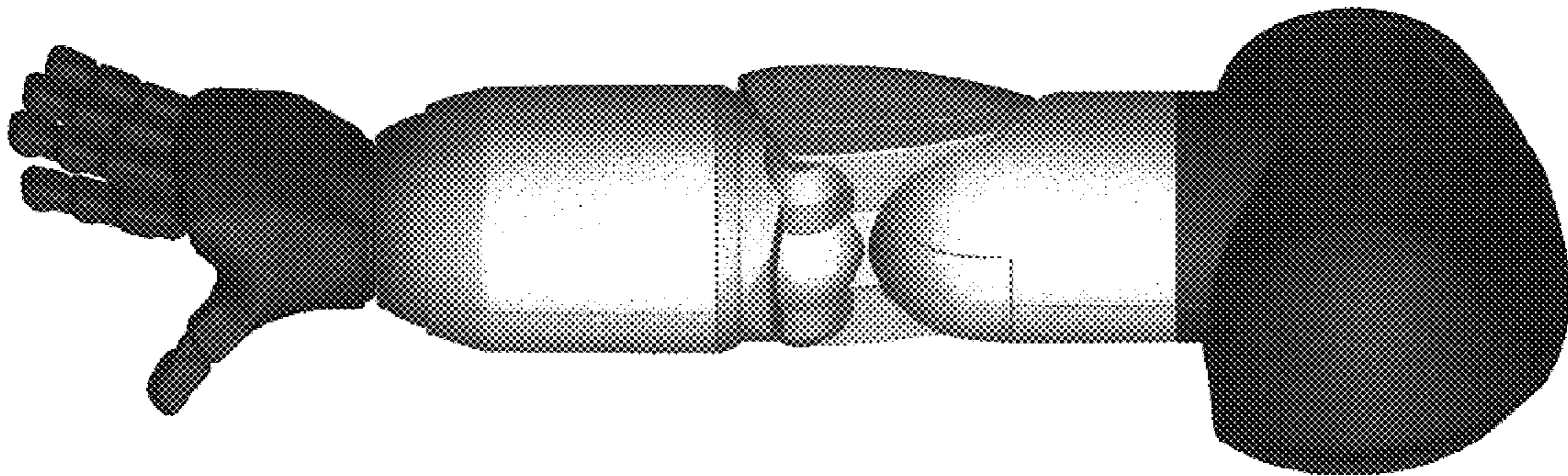


FIG.8

