

US00D508094S

(12) **United States Design Patent**
Khasminsky

(10) **Patent No.:** **US D508,094 S**

(45) **Date of Patent:** **** Aug. 2, 2005**

(54) **MODEL PLANE**

(75) **Inventor:** **Gene Khasminsky, Vaughn (CA)**

(73) **Assignee:** **Spin Master Ltd., Toronto (CA)**

(**) **Term:** **14 Years**

(21) **Appl. No.:** **29/207,401**

(22) **Filed:** **Jun. 14, 2004**

(30) **Foreign Application Priority Data**

Jan. 30, 2004 (CA) 105736

(51) **LOC (8) Cl.** **21-01**

(52) **U.S. Cl.** **D21/450; D12/345**

(58) **Field of Search** D21/447-454;
D12/319-345; D11/131, 141, 163; 446/30-45,
49-68, 230-232, 88; 244/12.1-12.6, 23 R,
23 A-23 D, 900-904

(56) **References Cited**

U.S. PATENT DOCUMENTS

- 1,791,366 A * 2/1931 Markowitz 446/60
- 1,818,426 A * 8/1931 Norcross 446/61
- D118,285 S * 12/1939 Kemmer et al. D12/336
- D135,702 S * 5/1943 Hornak D12/344
- D139,788 S * 12/1944 Hite et al. D12/341

- D144,026 S * 3/1946 Bowers et al. D12/342
- D144,107 S * 3/1946 Eaton, Jr. D12/344
- 6,612,893 B2 * 9/2003 Rehkemper et al. 446/34
- D495,376 S * 8/2004 Zee D21/450

* cited by examiner

Primary Examiner—Catherine Tuttle

(74) *Attorney, Agent, or Firm*—Cohen, Pontani, Lieberman & Pavane

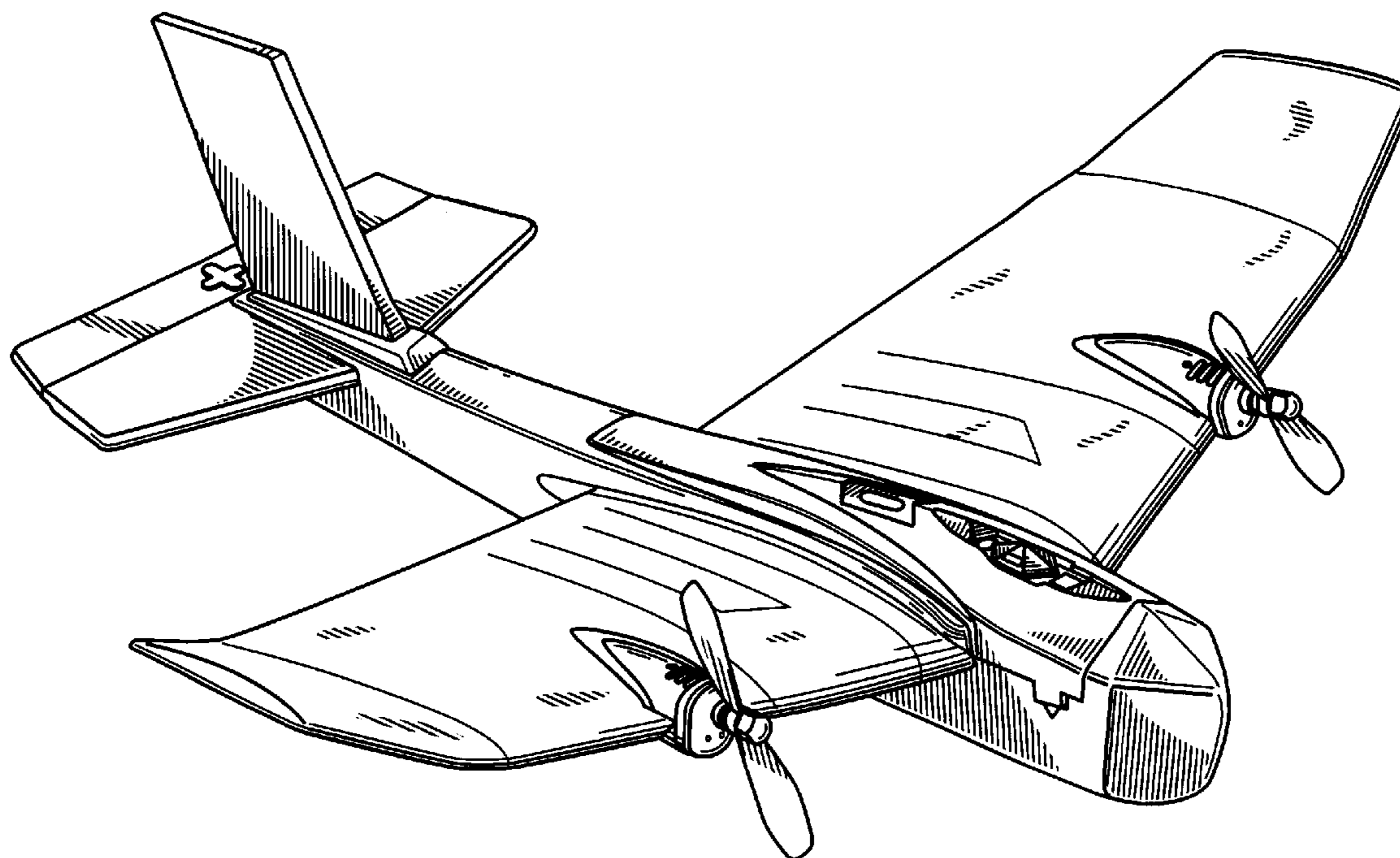
(57) **CLAIM**

The ornamental design for a model plane, as shown and described.

DESCRIPTION

FIG. 1 is a front perspective view of the model plane; FIG. 2 is a top plan view of the model plane in FIG. 1; FIG. 3 is a bottom plan view of the model plane in FIG. 1; FIG. 4 is a front elevational view of the model plane in FIG. 1; FIG. 5 is a rear elevational view of the model plane in FIG. 1; FIG. 6 is a left side elevational view of the model plane in FIG. 1; and, FIG. 7 is a right side elevational view of the model plane in FIG. 1.

1 Claim, 3 Drawing Sheets



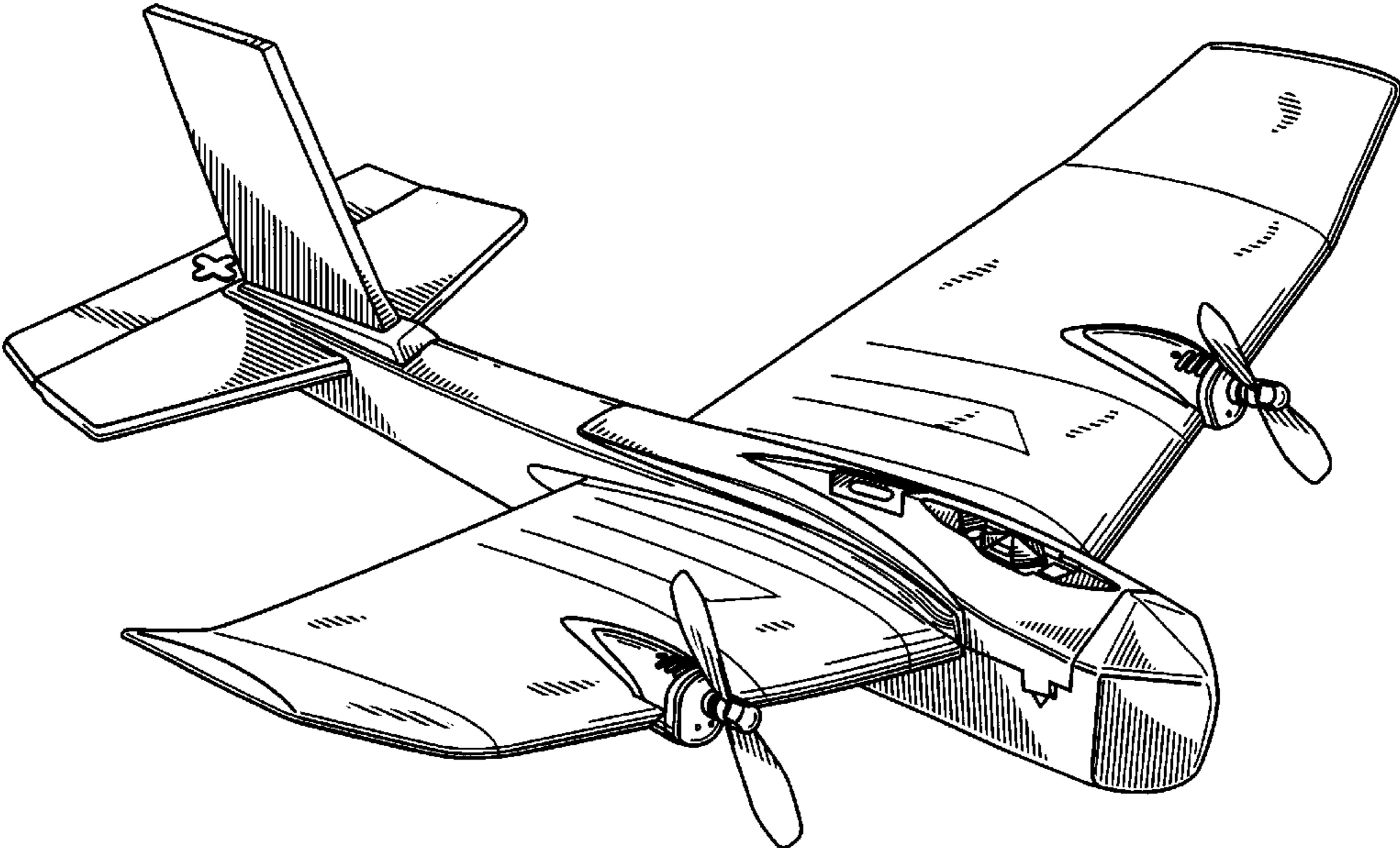


FIG. 1

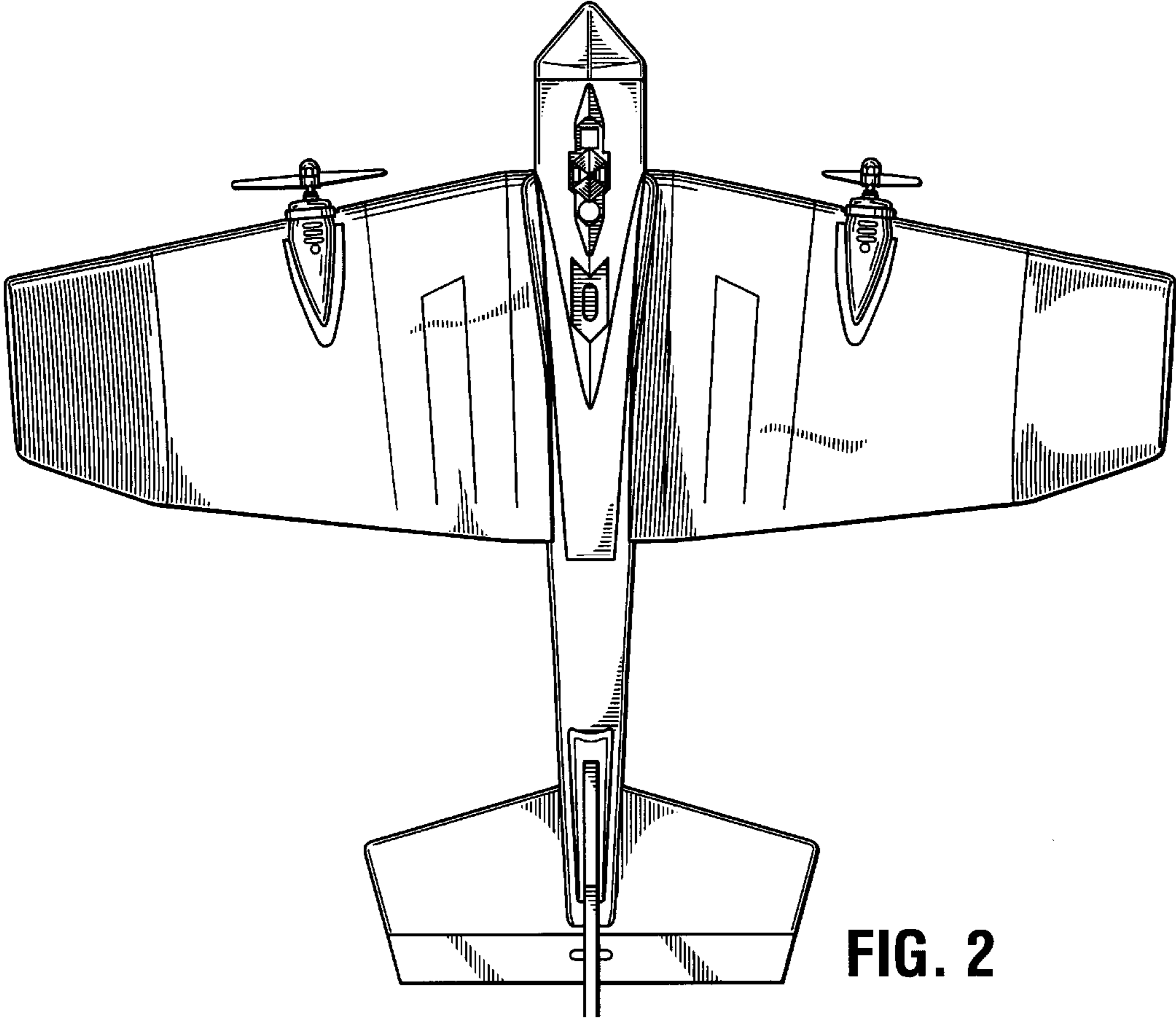


FIG. 2

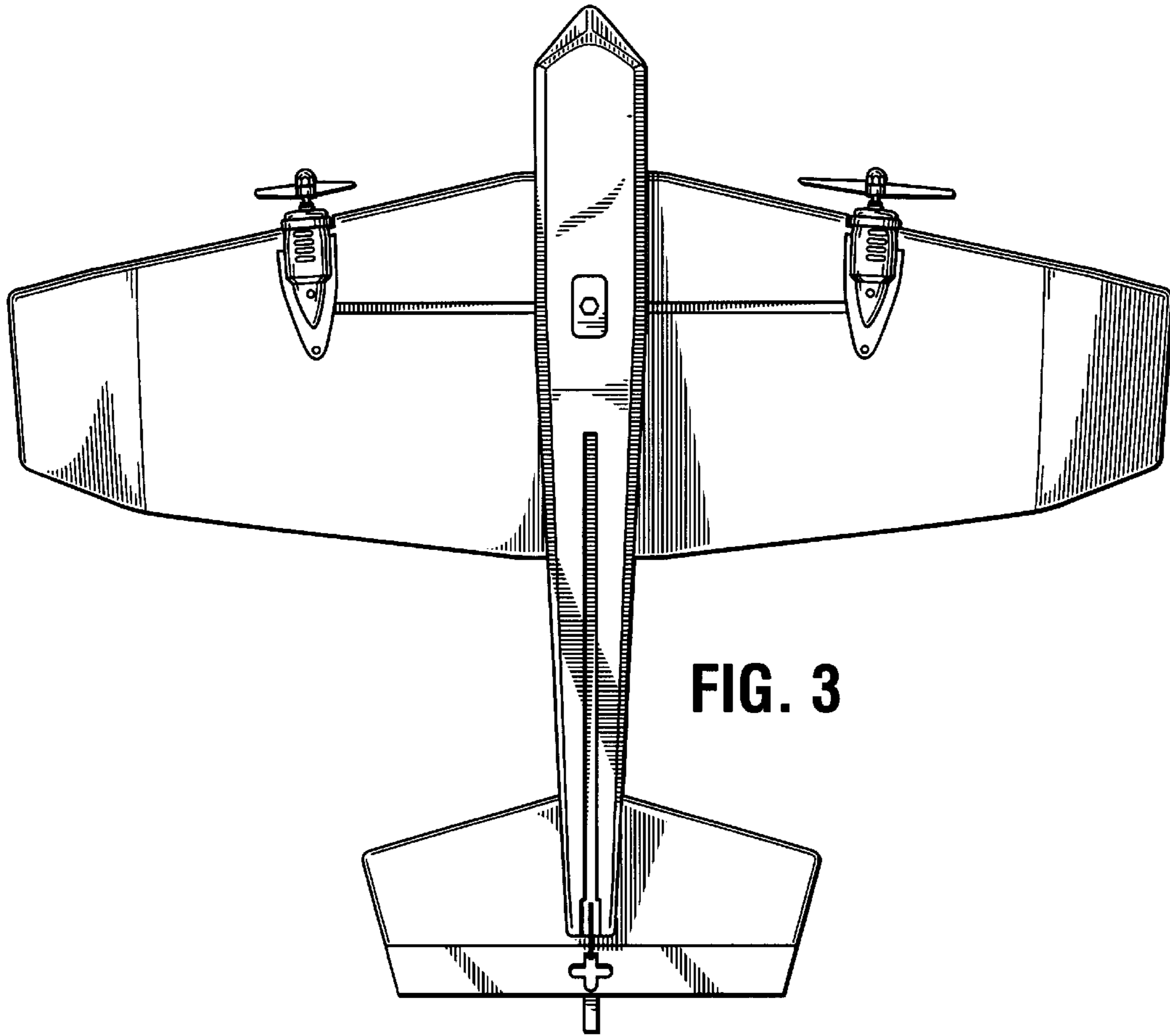


FIG. 3

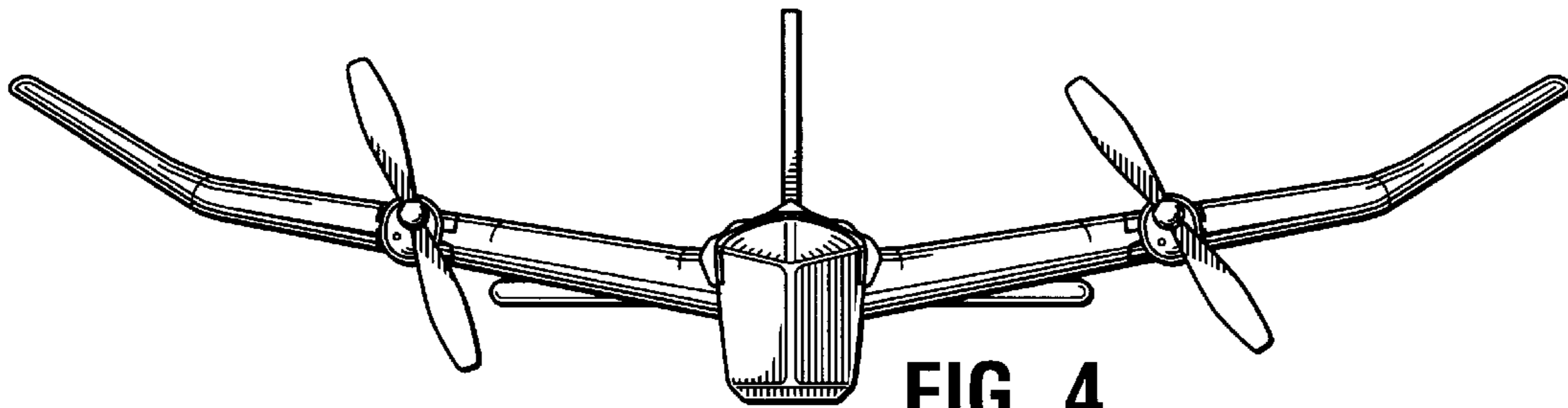


FIG. 4

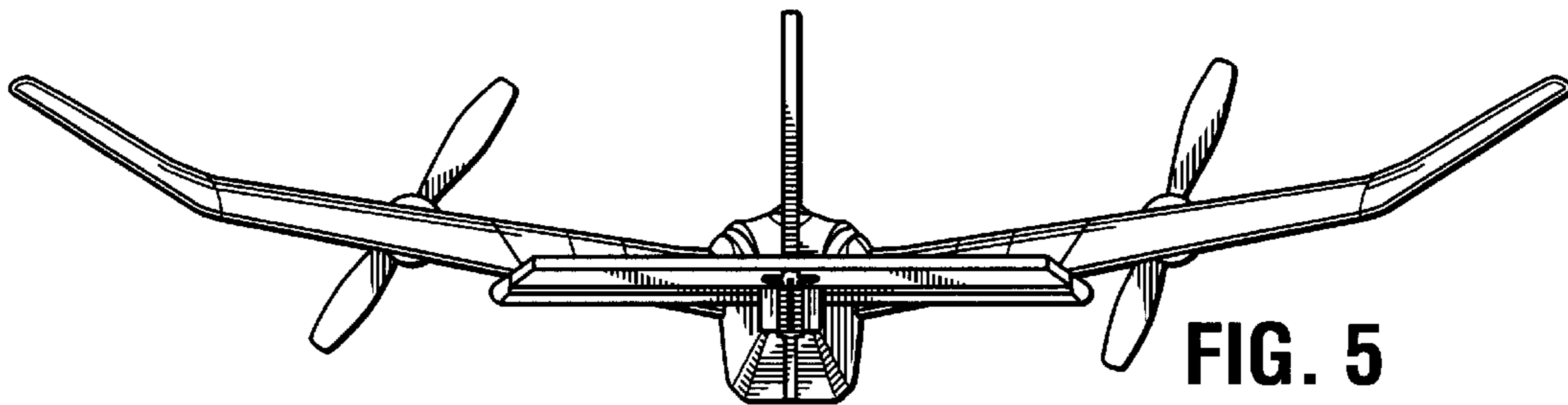


FIG. 5

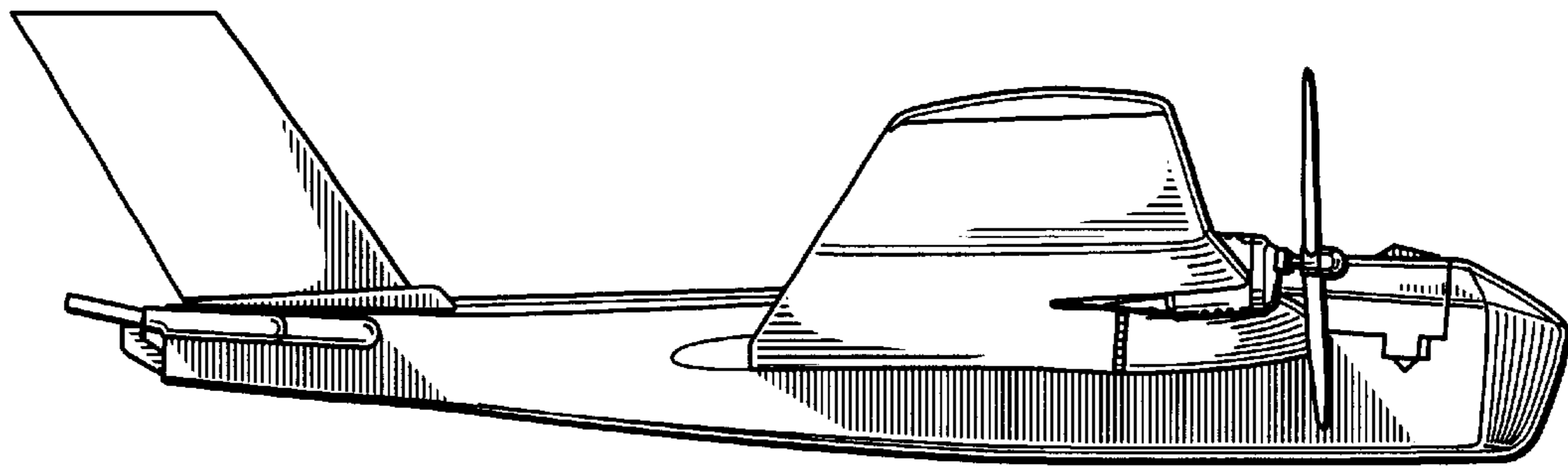


FIG. 6

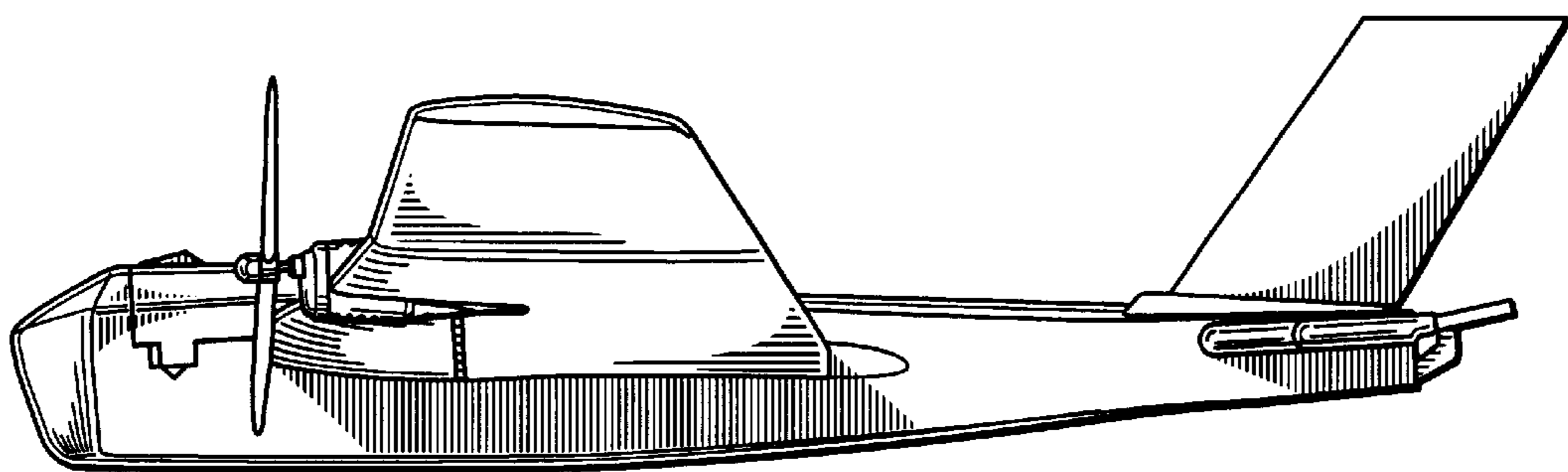


FIG. 7