

US00D508093S

(12) **United States Design Patent**
Wu

(10) **Patent No.:** **US D508,093 S**

(45) **Date of Patent:** **** Aug. 2, 2005**

(54) **ELECTRIC SCOOTER**

(75) **Inventor:** **Donald P. H. Wu**, Hsinchu County (TW)

(73) **Assignee:** **PI Hsing Machinery Mfg. Co.**, Hsinchu Count (TW)

(**) **Term:** **14 Years**

(21) **Appl. No.:** **29/205,891**

(22) **Filed:** **May 21, 2004**

(51) **LOC (8) Cl.** **21-01**

(52) **U.S. Cl.** **D21/421**

(58) **Field of Search** D21/419-435,
D21/533, 760, 765, 771; D12/107, 110-112;
280/87.01, 87.021, 87.041, 87.042, 281.1,
288.1-288.3, 261, 278, 287; 180/219-231,
216, 181

(56) **References Cited**

U.S. PATENT DOCUMENTS

3,140,100 A * 7/1964 Nichols et al. 280/87.041

6,095,274 A * 8/2000 Patmont 180/181
D444,184 S * 6/2001 Kettler D21/423
D450,355 S * 11/2001 Chan D21/423
D454,377 S * 3/2002 Hsu et al. D21/423
6,719,310 B1 * 4/2004 Lin 280/87.01

* cited by examiner

Primary Examiner—Raphael Barkai

(74) *Attorney, Agent, or Firm*—Charles E. Baxley

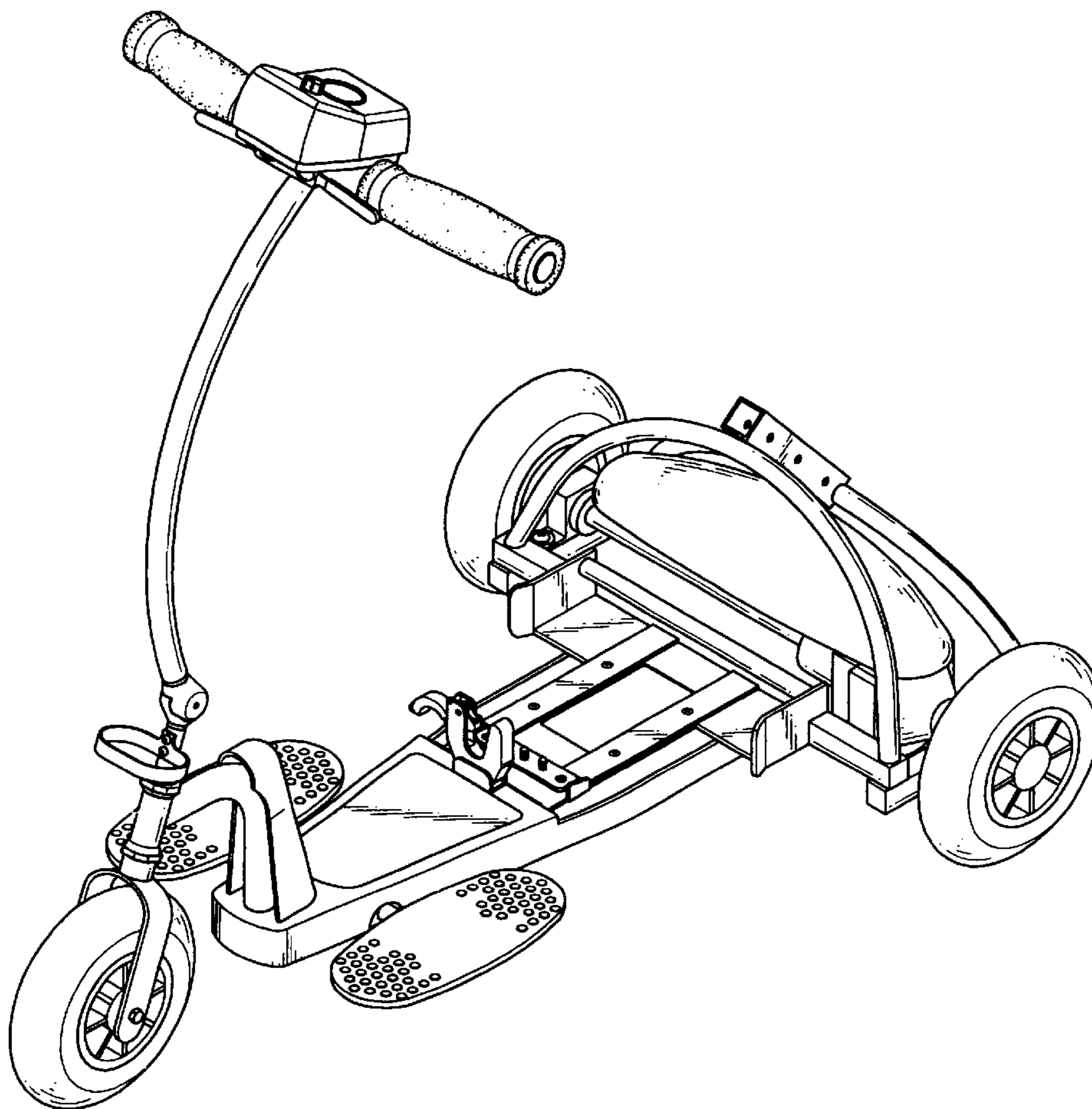
(57) **CLAIM**

The ornamental design for a electric scooter, as shown and described.

DESCRIPTION

FIG. 1 is a perspective view of a electric scooter showing my new design;
FIG. 2 is a right elevational view thereof;
FIG. 3 is a left elevational view thereof,
FIG. 4 is a front side elevational view thereof,
FIG. 5 is a rear side elevational view thereof,
FIG. 6 is a top plan view thereof; and,
FIG. 7 is a bottom plan view to that shown.

1 Claim, 7 Drawing Sheets



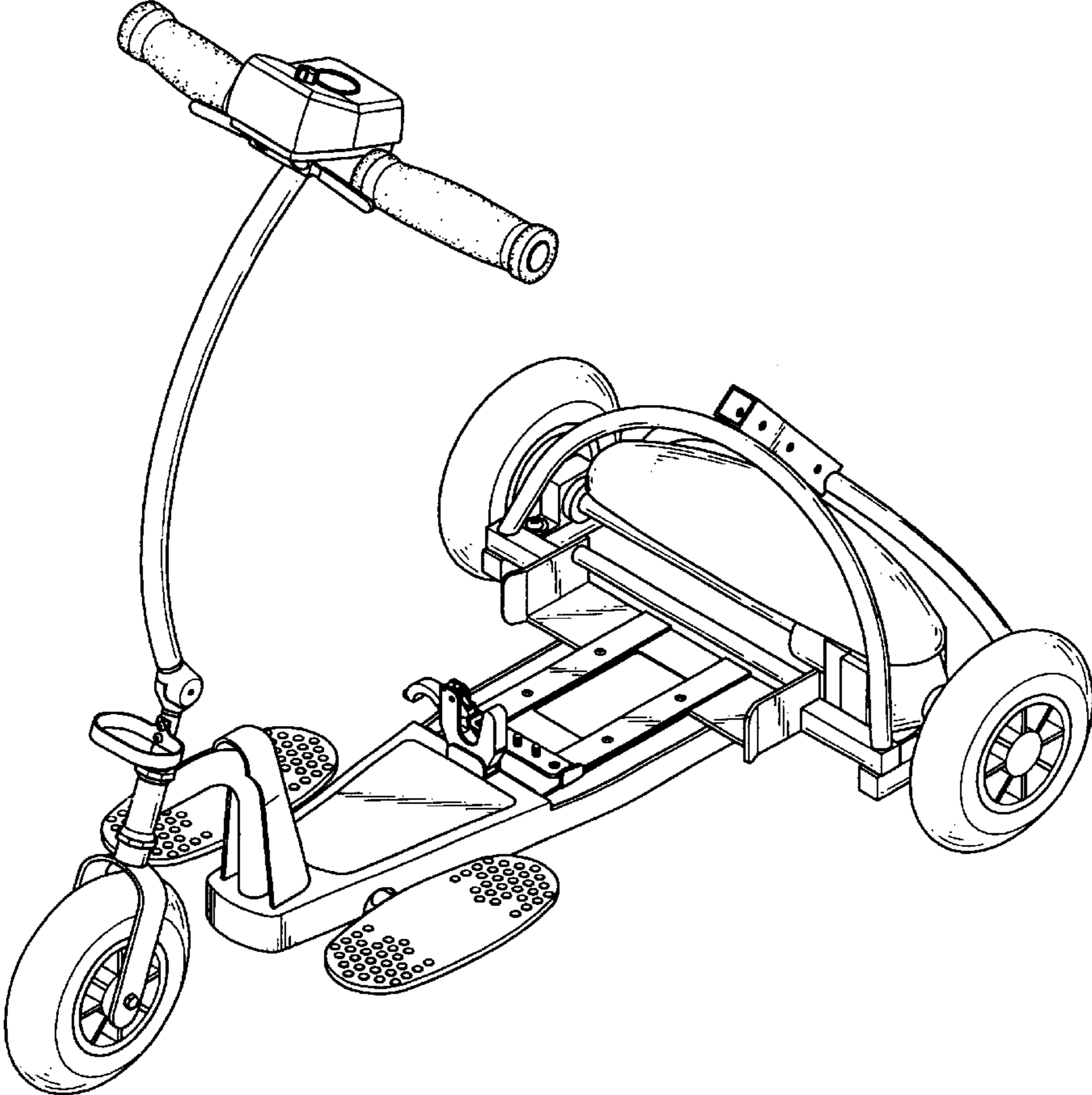


FIG. 1

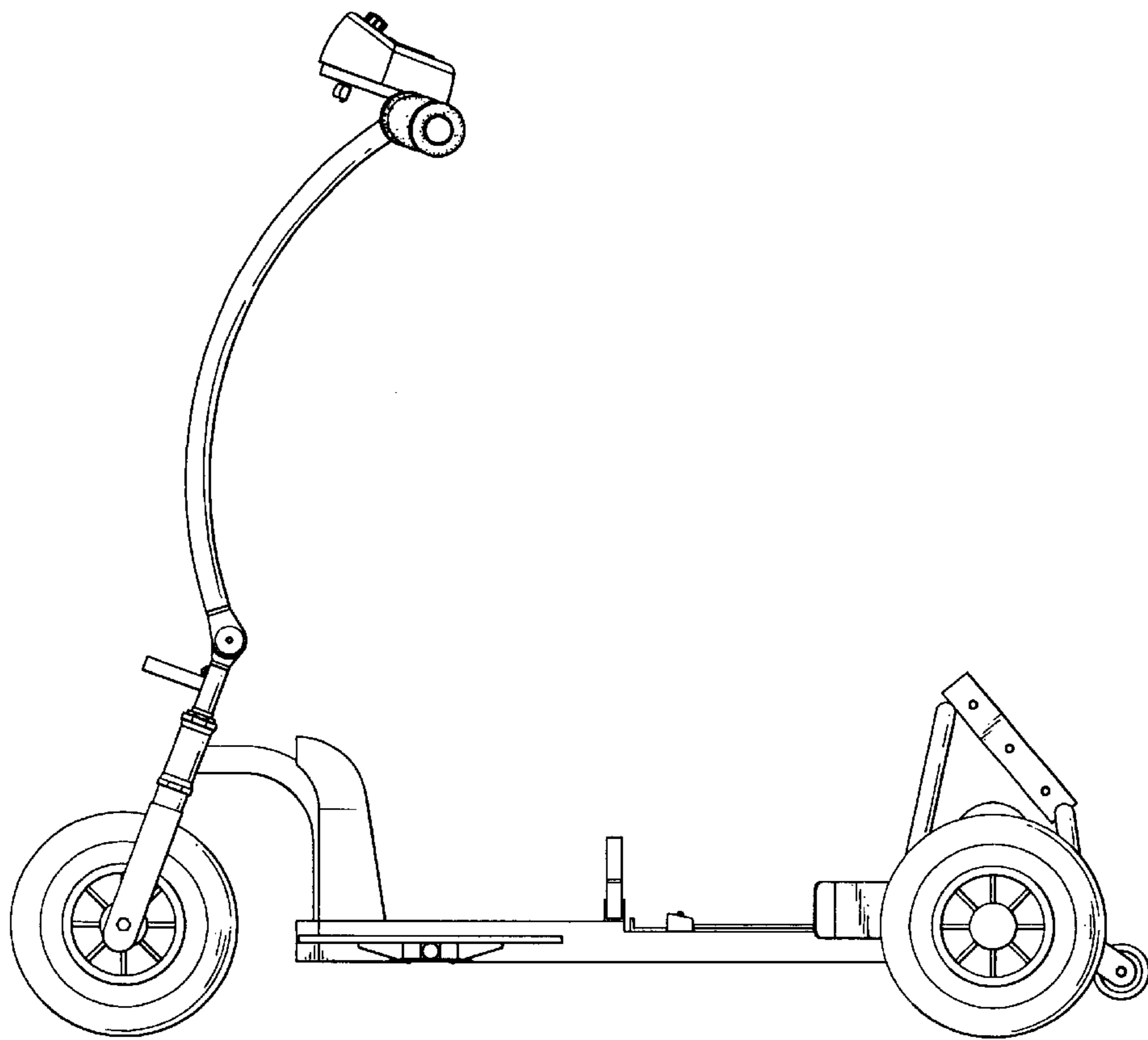


FIG. 2

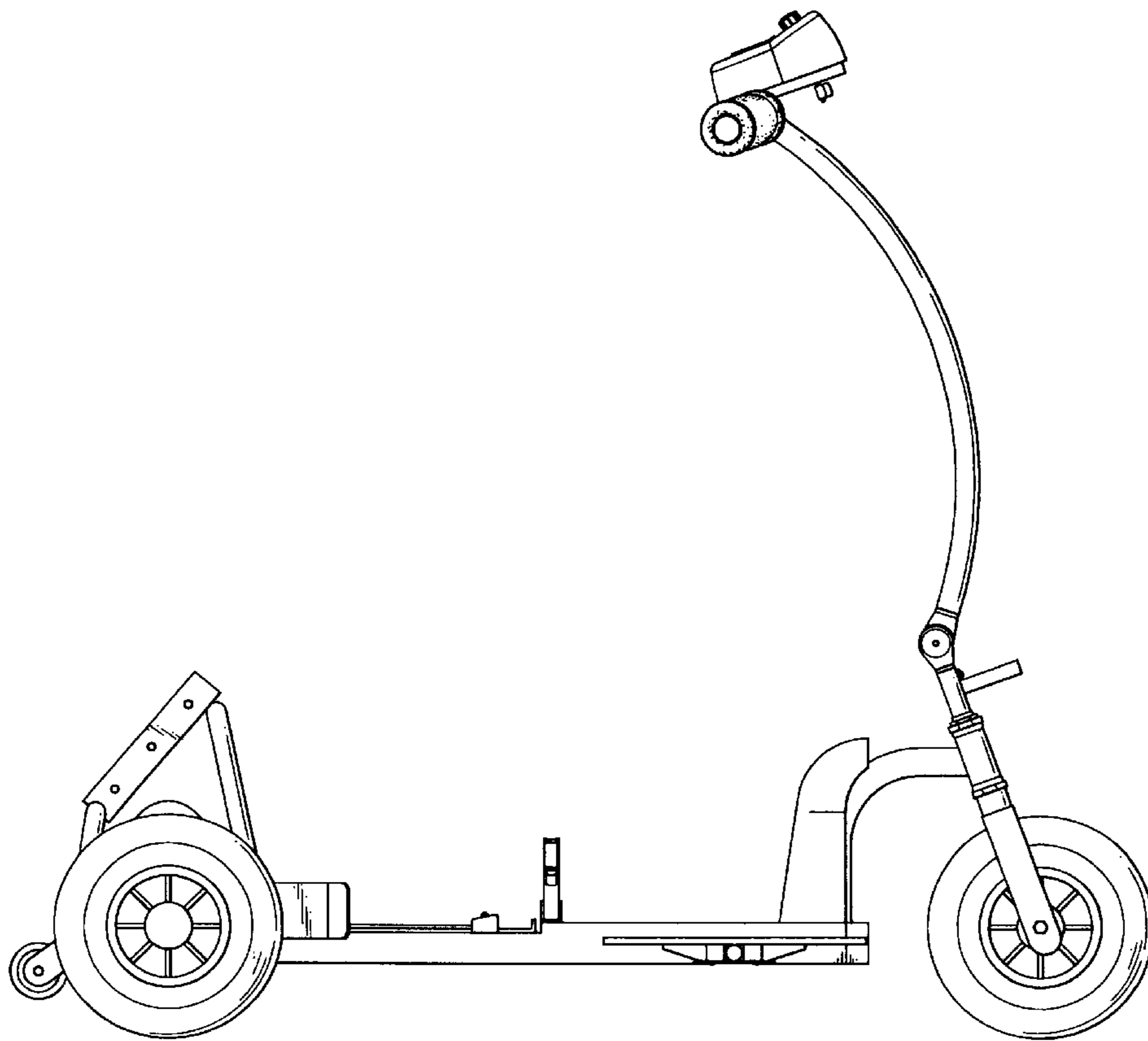


FIG. 3

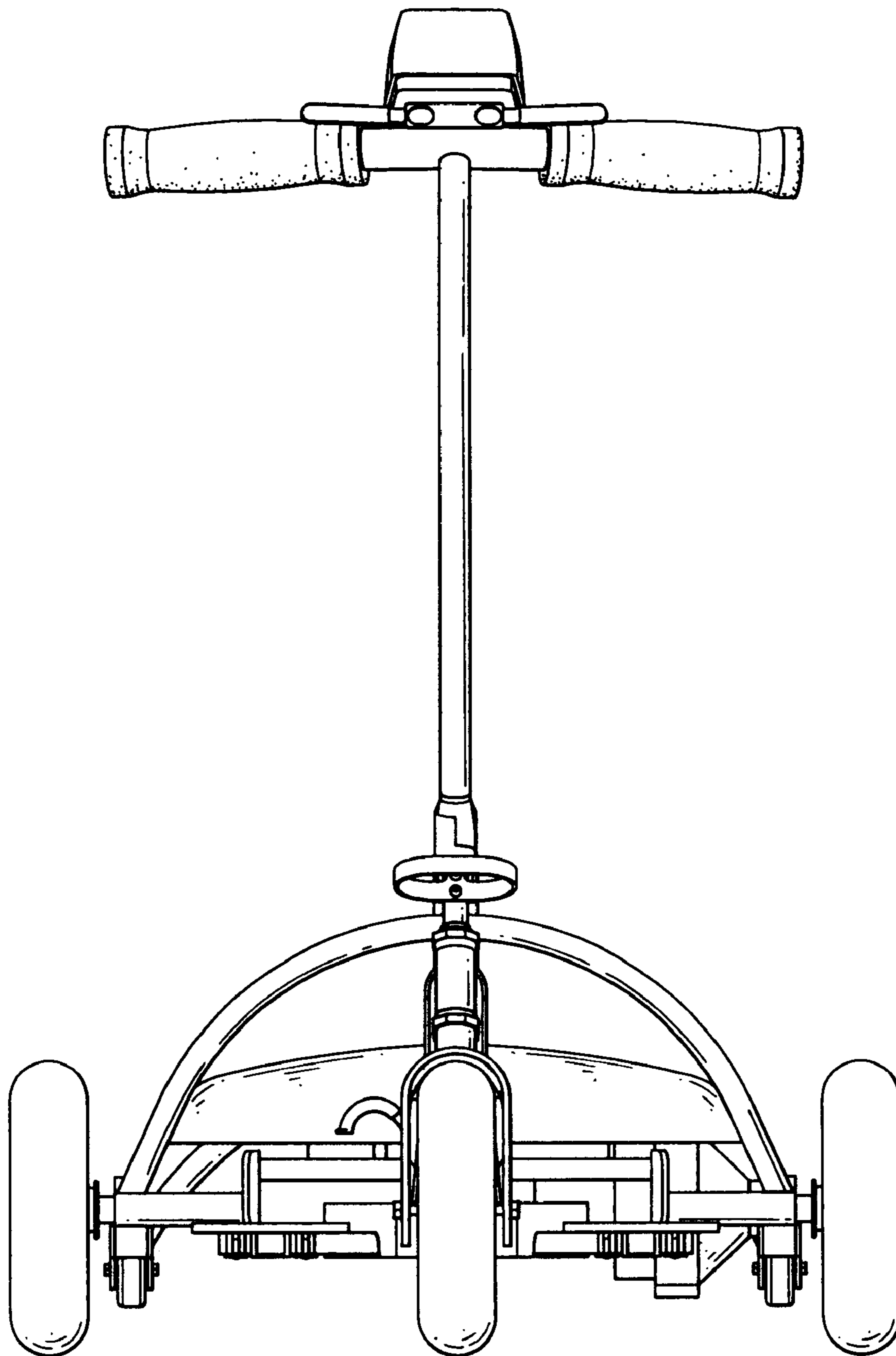


FIG. 4

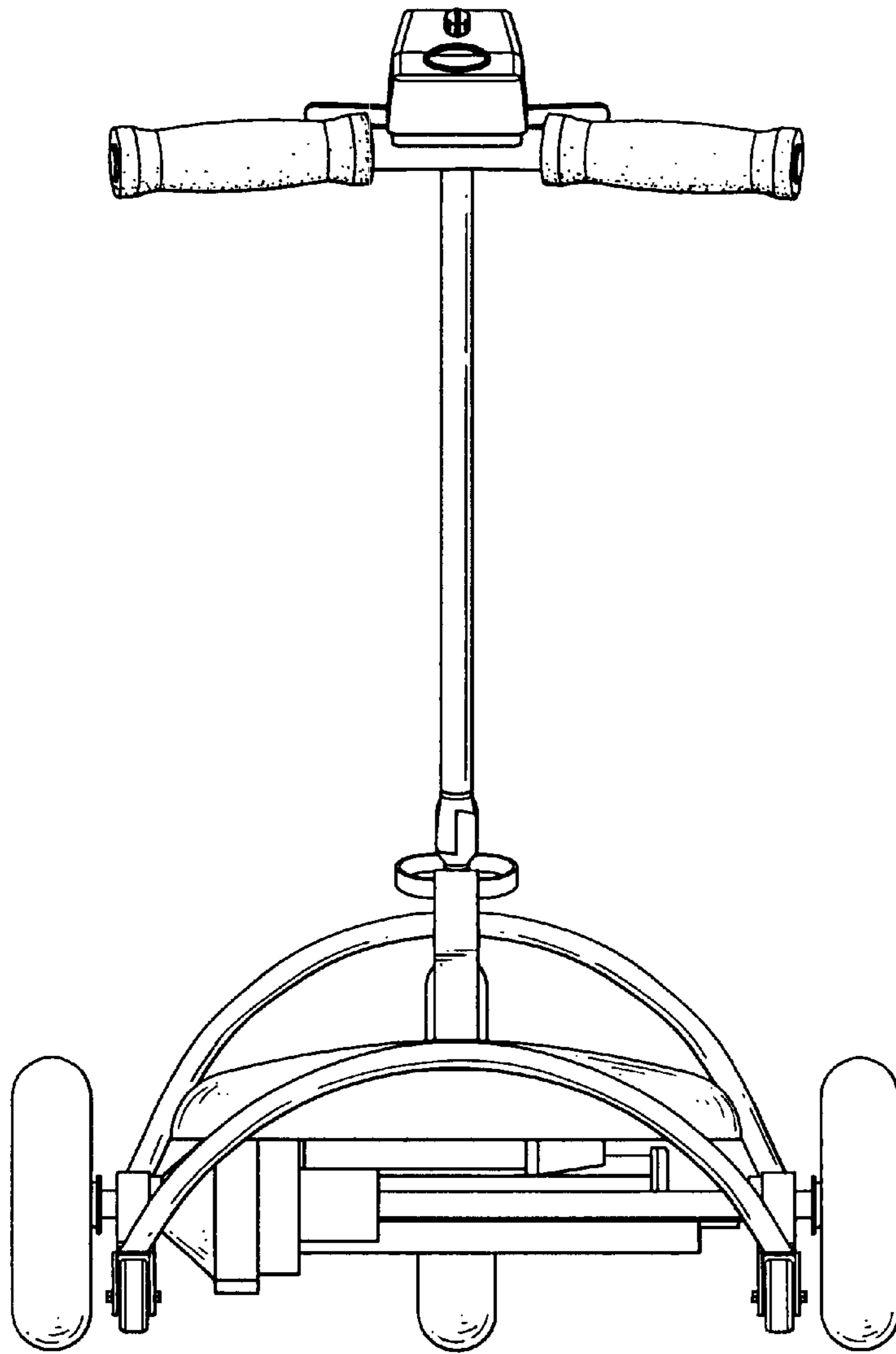


FIG. 5

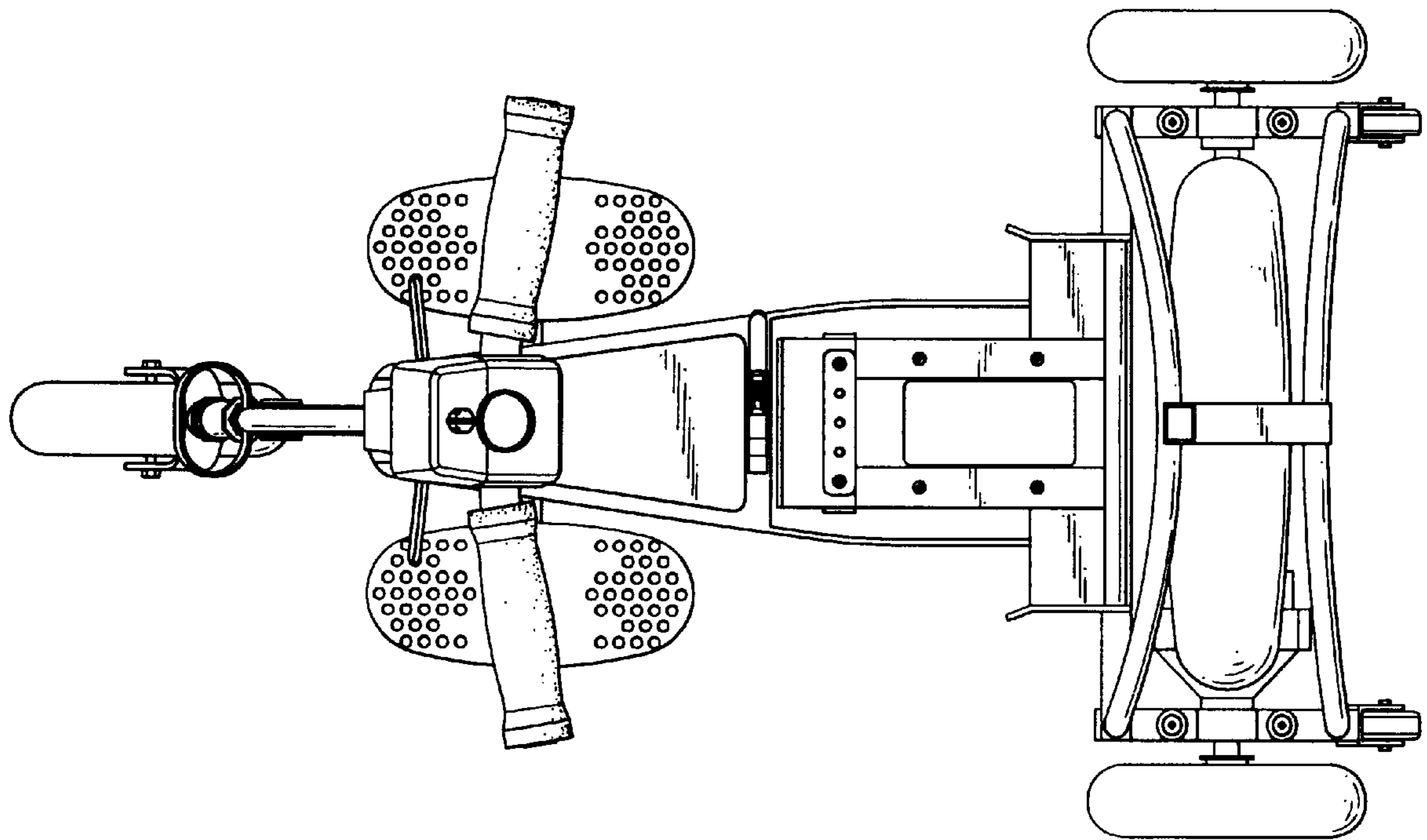


FIG. 6

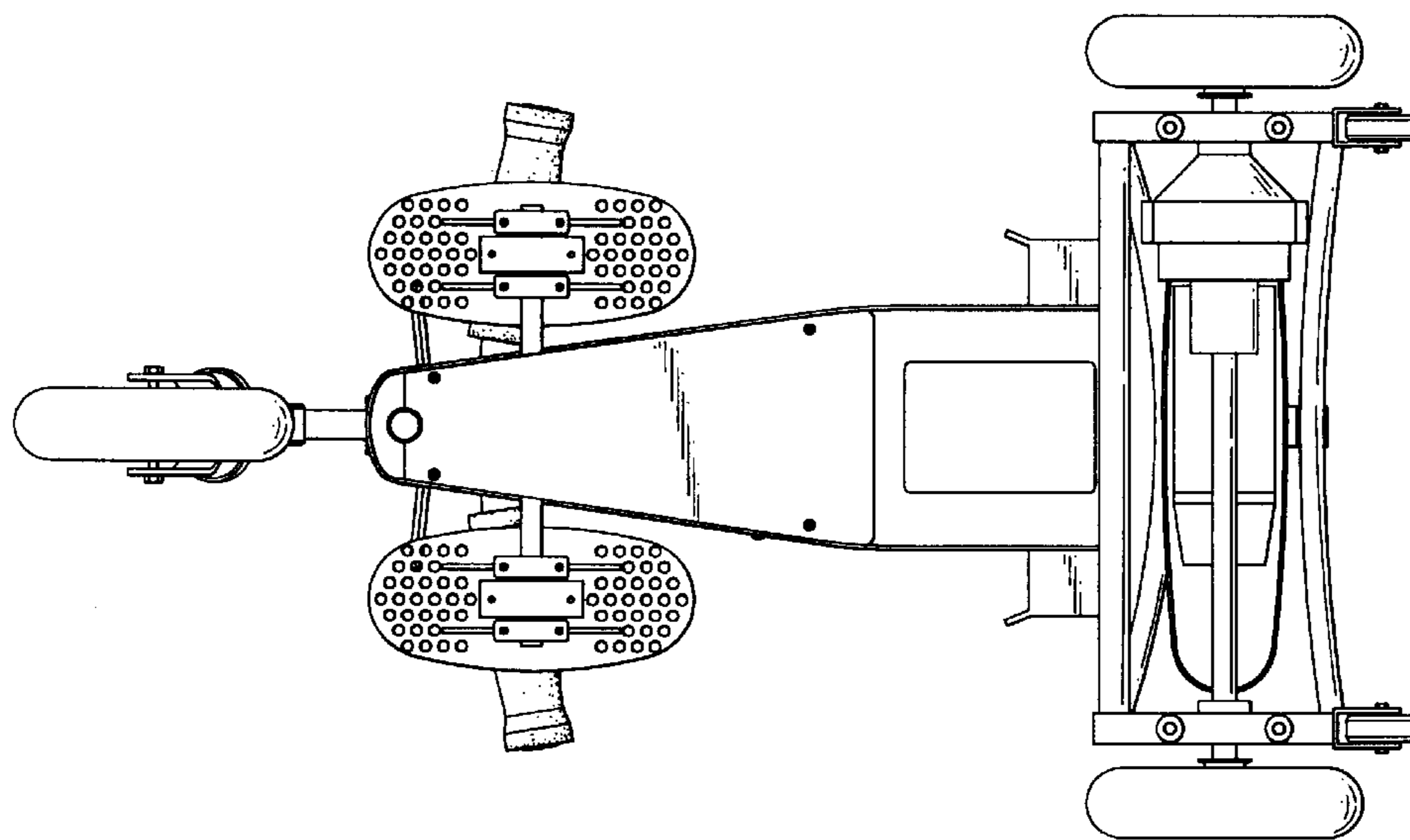


FIG. 7