

US00D508090S

(12) **United States Design Patent**
Blackwell, III

(10) **Patent No.:** **US D508,090 S**

(45) **Date of Patent:** **** Aug. 2, 2005**

(54) **VIDEO GAME PLAYING PLATFORM**

(76) **Inventor:** **Nelson Blackwell, III**, 2270 27th St.,
Santa Monica, CA (US) 00405

(**) **Term:** **14 Years**

(21) **Appl. No.:** **29/204,658**

(22) **Filed:** **Apr. 30, 2004**

(51) **LOC (8) Cl.** **21-01**

(52) **U.S. Cl.** **D21/333**

(58) **Field of Search** D21/324-333,
D21/369, 385; D3/218; D26/24, 26, 51,
52, 72; 273/148 B, 148 A, 108, 118 R,
123 R, 454; 463/45-49, 1, 16-22; 345/156,
905; 362/97-101, 109, 217; 108/51.11,
150, 151, 160; 211/133.1, 133.3

(56) **References Cited**

U.S. PATENT DOCUMENTS

172,796 A	8/1954	Kaye	
4,422,640 A	* 12/1983	Tamarkin	463/47
4,494,754 A	* 1/1985	Wagner, Jr.	273/148 B
4,893,222 A	* 1/1990	Mintzer	362/109
5,117,339 A	* 5/1992	Tortola et al.	362/109
5,358,208 A	* 10/1994	Moseley et al.	248/441.1
5,379,201 A	* 1/1995	Friedman	262/191
5,579,925 A	12/1996	Peng	
6,044,772 A	4/2000	Gaudette	
6,126,020 A	10/2000	Mok	
6,158,357 A	12/2000	Shih	

D451,557 S	12/2001	Yu	
D462,096 S	* 8/2002	Hussaini et al.	D21/333
D462,395 S	* 9/2002	Hussaini et al.	D21/333
D484,193 S	* 12/2003	Huang	D21/333
D484,547 S	* 12/2003	Hussaini et al.	D21/333
2002/0185041 A1	12/2002	Herbst	

OTHER PUBLICATIONS

Mushaburui product literature; Contact: Masaya 15—15
satsukigaoka HOUSE5 E Aobaku Yokohama-shi Japan;
Tel/Fax 045-970-9703.

Action Driver product literature.

* cited by examiner

Primary Examiner—Prabhakar Deshmukh

(74) *Attorney, Agent, or Firm*—Robert J. Lauson, Esq.

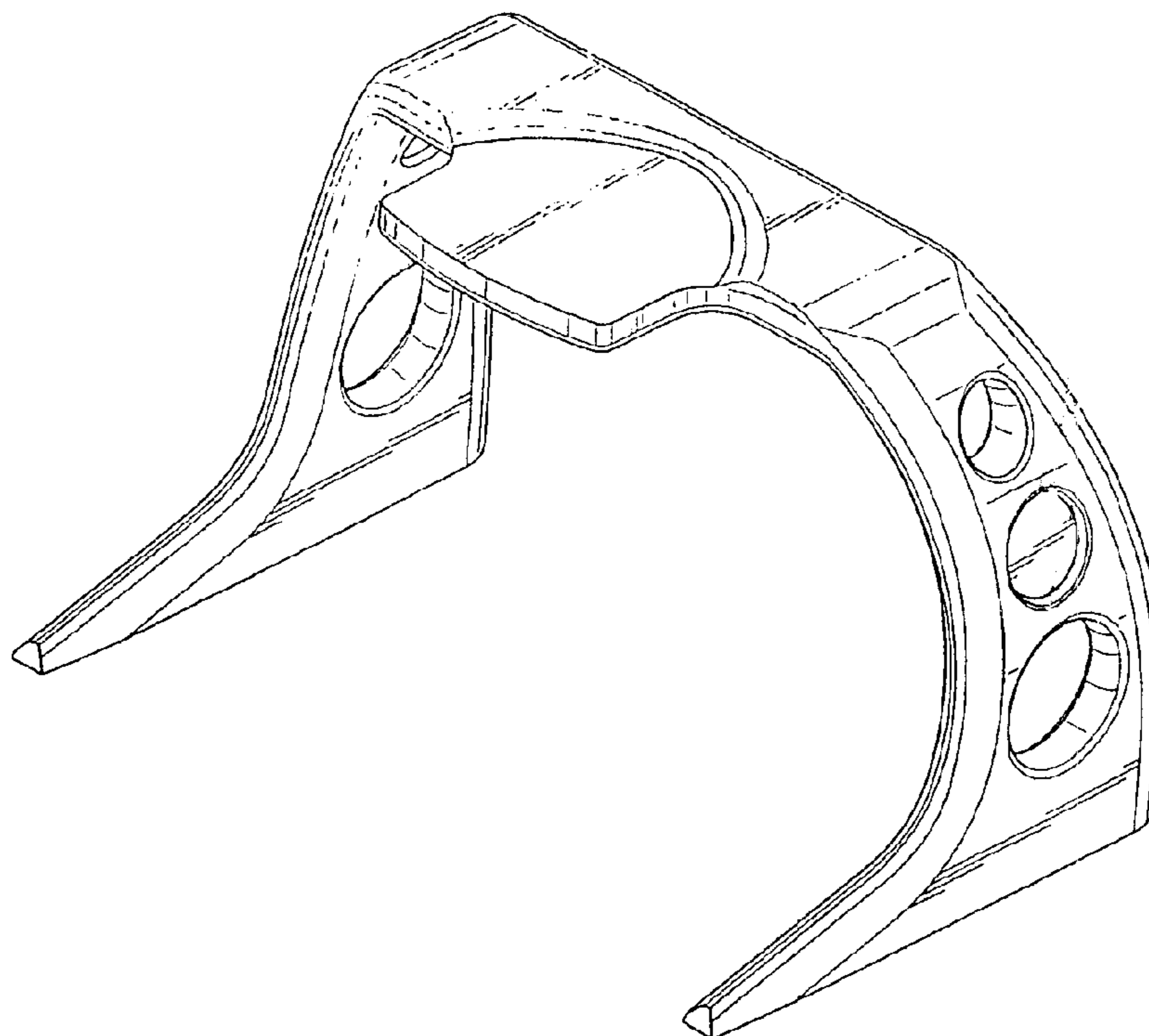
(57) **CLAIM**

The ornamental design for a video game playing platform,
as shown.

DESCRIPTION

FIG. 1 is a perspective view of a videogame playing
platform showing my new design;
FIG. 2 is a top plan view thereof;
FIG. 3 is a right side elevation view thereof, the left side
elevation view being a mirror image;
FIG. 4 is a rear elevation view thereof;
FIG. 5 is a front elevation view thereof; and,
FIG. 6 is a bottom view thereof.

1 Claim, 3 Drawing Sheets



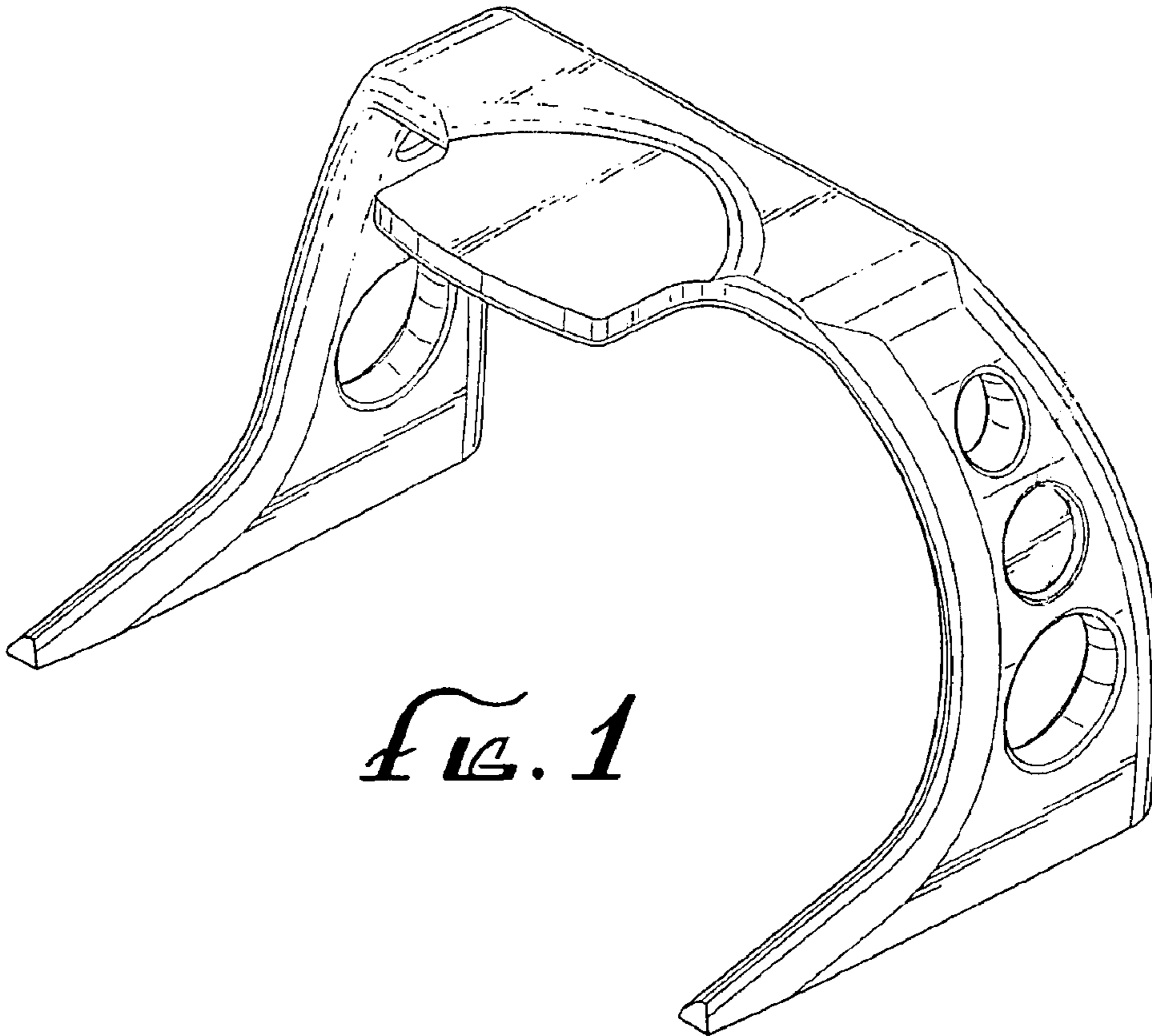


Fig. 1

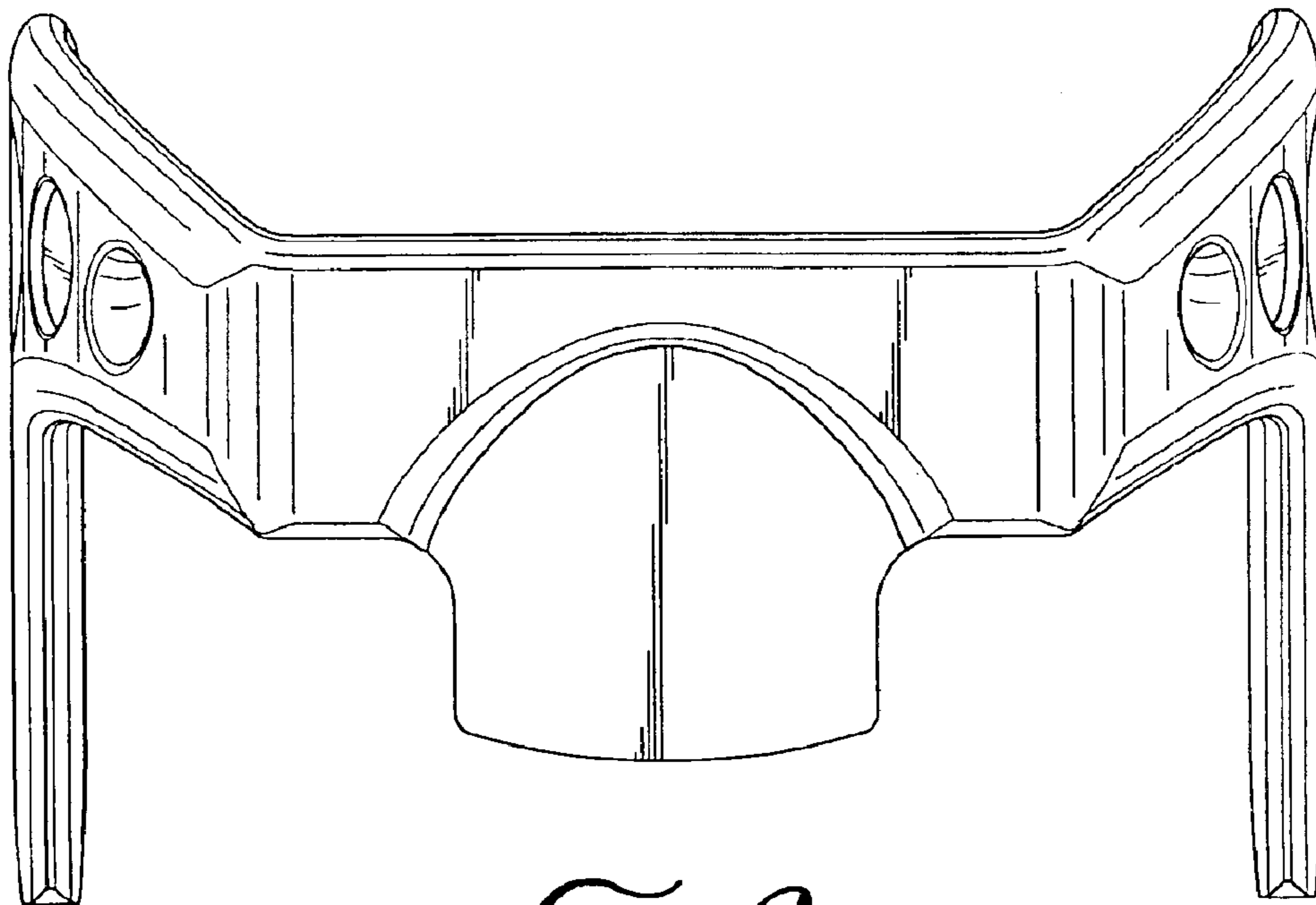
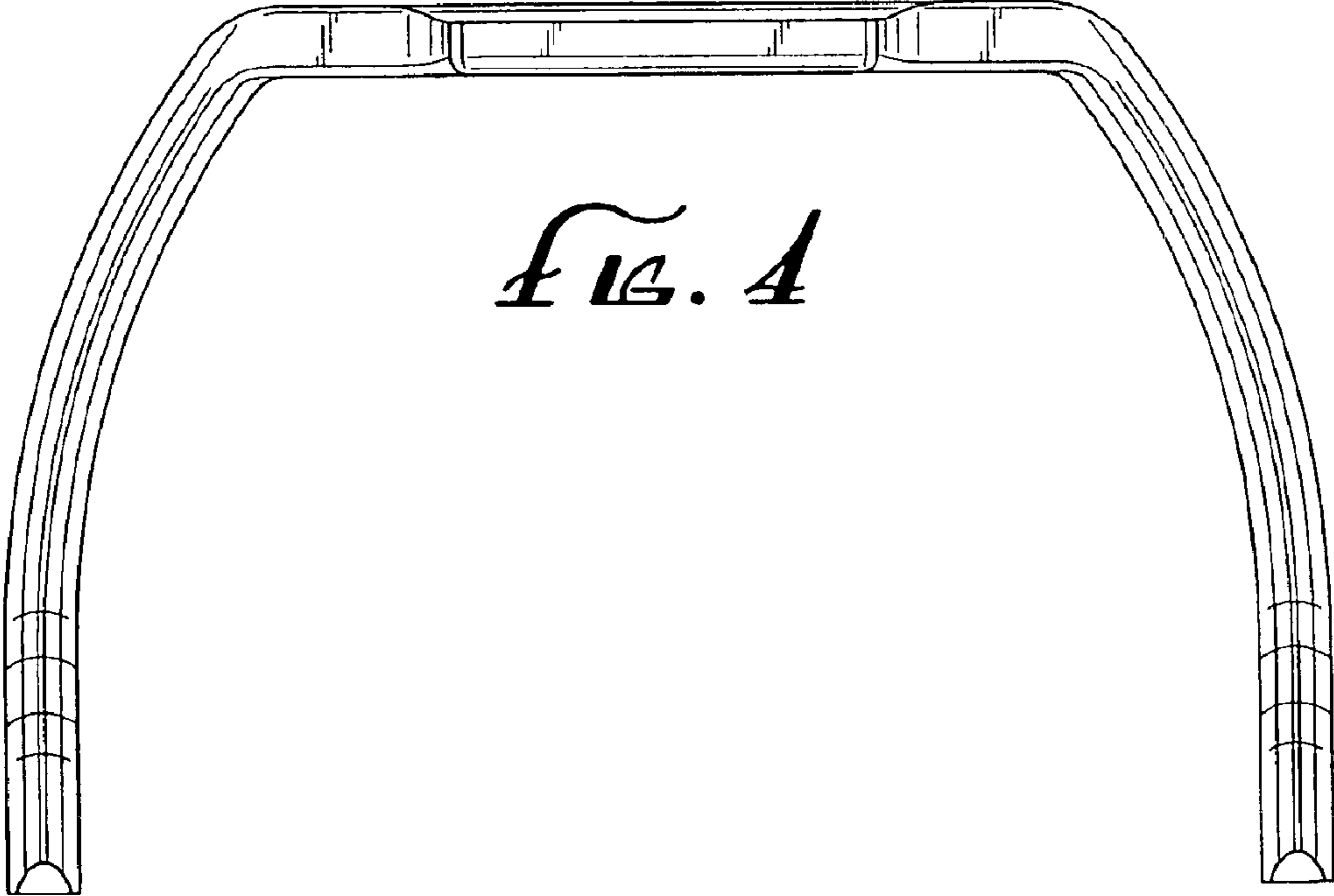
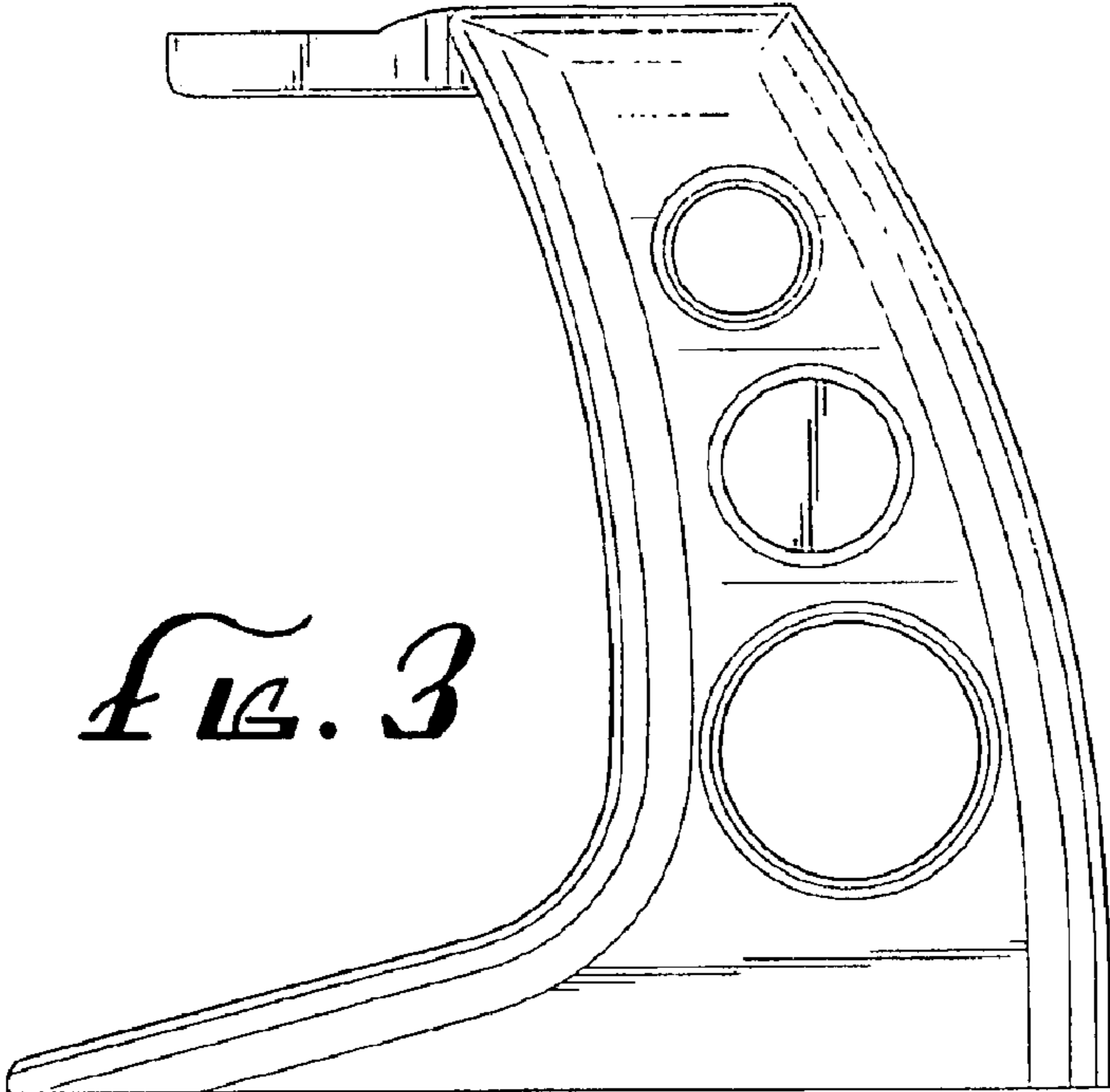


Fig. 2



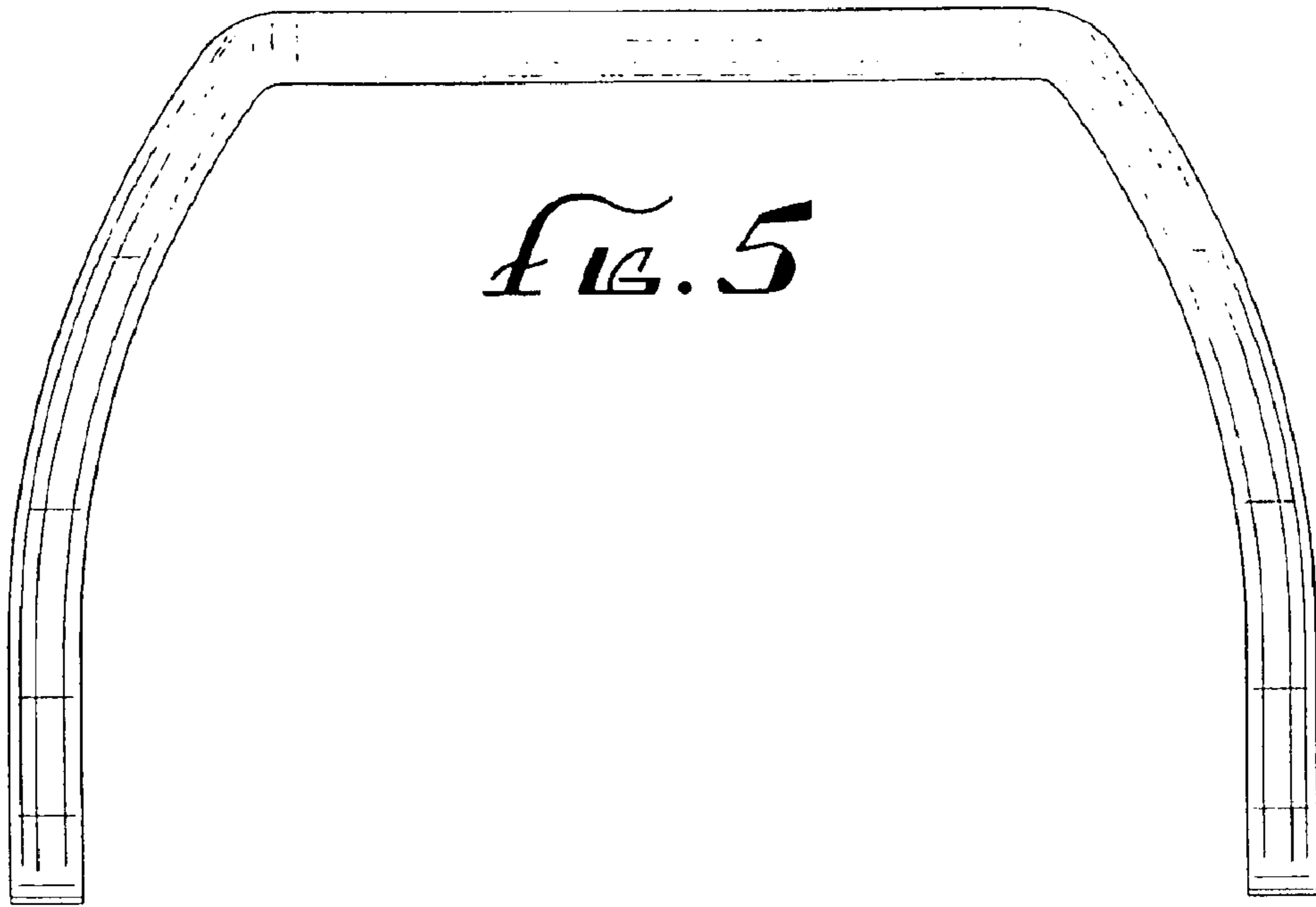


FIG. 5

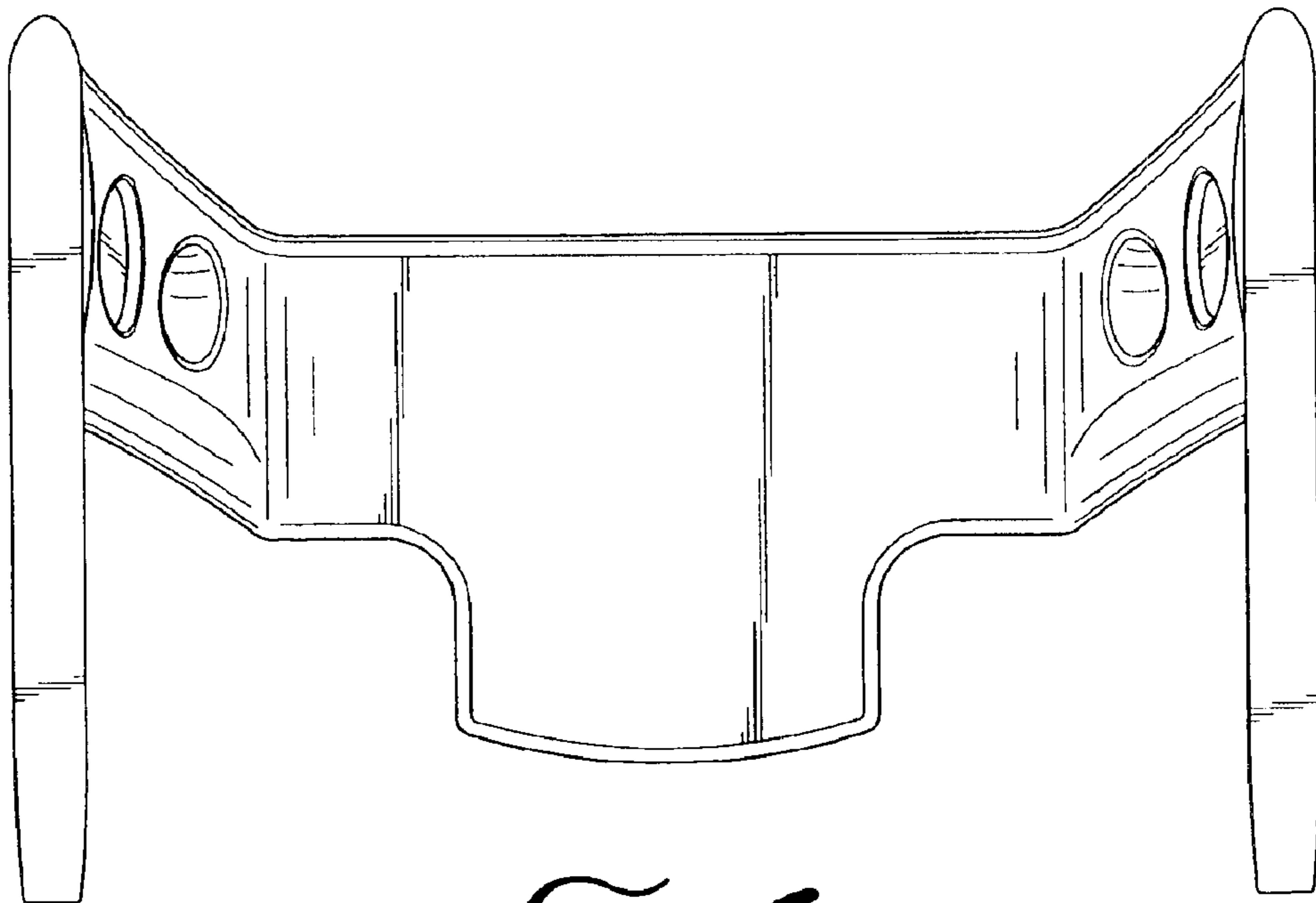


FIG. 6