

US00D508088S

(12) **United States Design Patent**
Hussaini et al.

(10) **Patent No.: US D508,088 S**
(45) **Date of Patent: ** Aug. 2, 2005**

(54) **VIDEO GAME CONTROLLER WITH INTEGRATED GAME SCREEN**

D495,705 S * 9/2004 Borsboom D14/371

* cited by examiner

(75) Inventors: **Saied Hussaini**, Miami, FL (US); **Marc Iacovelli**, Miami, FL (US)

Primary Examiner—Prabhakar Deshmukh

(74) *Attorney, Agent, or Firm*—Liniak, Berenato & White

(73) Assignee: **Intec, Inc.**, Miami, FL (US)

(57) **CLAIM**

(**) Term: **14 Years**

The ornamental design for a video game controller with integrated game screen, as shown and described.

(21) Appl. No.: **29/186,331**

DESCRIPTION

(22) Filed: **Jul. 15, 2003**

(51) **LOC (8) Cl.** **21-01**

(52) **U.S. Cl.** **D21/329; D21/330**

(58) **Field of Search** D21/324–330,
D21/333; D14/400, 401, 412–416, 496;
273/148 B; 463/1–4, 29–35, 46, 47, 50–52;
345/156, 157, 903, 905

FIG. 1 is a front elevational perspective view of the video game controller with integrated game screen according to the present invention.

FIG. 2 is a left side view of the video game controller with integrated game screen of FIG. 1.

FIG. 3 is a right side view of the video game controller with integrated game screen of FIG. 1.

FIG. 4 is a front view of the video game controller with integrated game screen of FIG. 1.

FIG. 5 is a rear view of the video game controller with integrated game screen of FIG. 1.

FIG. 6 is a top view of the video game controller with integrated game screen of FIG. 1.

FIG. 7 is a top view of the video game controller with integrated game screen of FIG. 1 with screen rotated in a stored position; and,

FIG. 8 is a bottom view of the video game controller with integrated game screen of FIG. 1.

(56) **References Cited**

U.S. PATENT DOCUMENTS

D435,868 S	*	1/2001	Muraki et al.	D21/325
D445,408 S	*	7/2001	Hwang	D14/132
6,262,785 B1	*	7/2001	Kim	349/58
6,307,535 B1	*	10/2001	Kim et al.	345/157
6,342,009 B1	*	1/2002	Soma	463/38
D455,793 S	*	4/2002	Lin	D21/329
6,400,351 B1	*	6/2002	Ishizawa et al.	345/156
6,507,338 B1	*	1/2003	Liao et al.	345/173
D485,280 S	*	1/2004	Hussaini et al.	D14/496

1 Claim, 7 Drawing Sheets

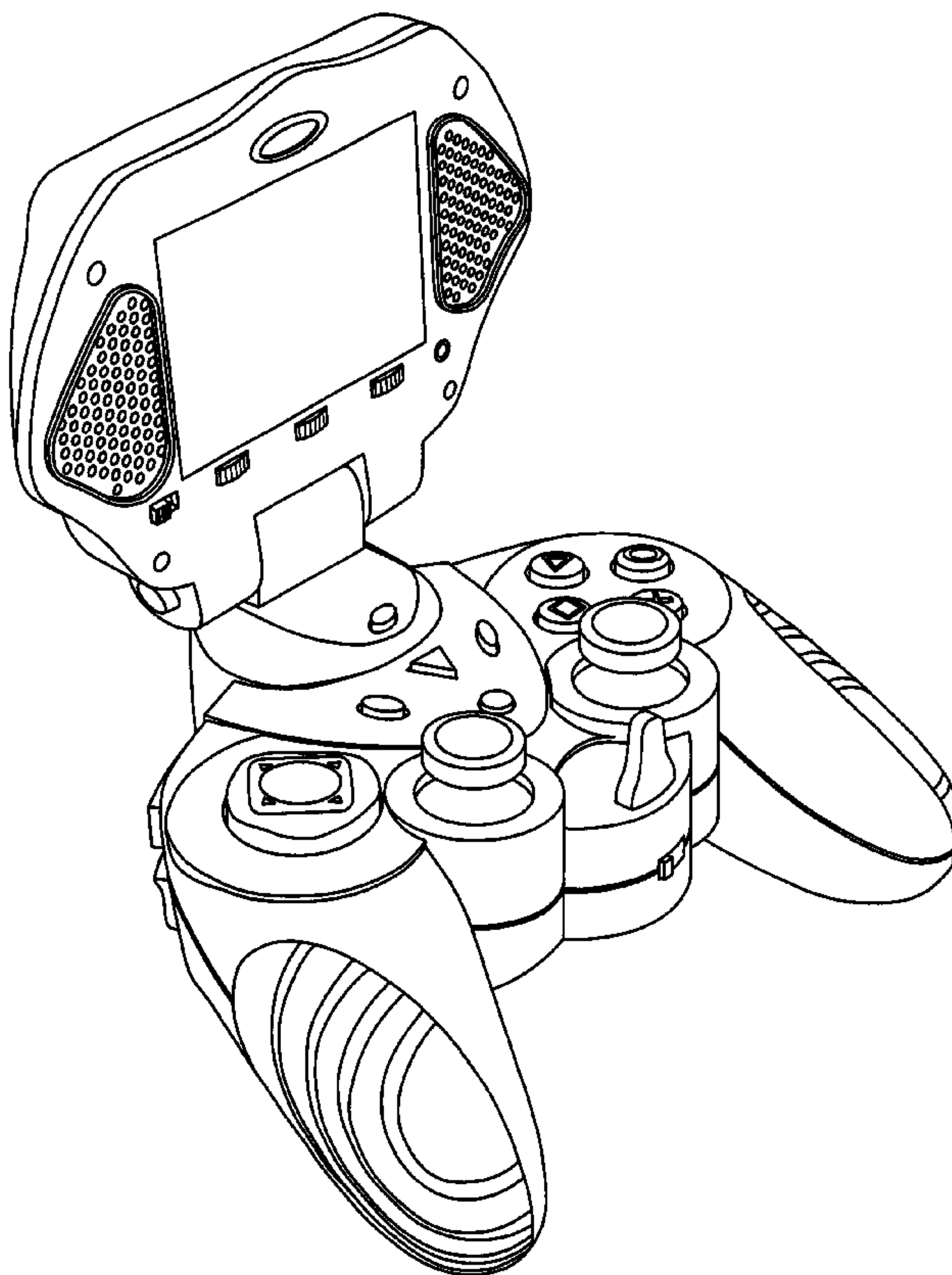


Fig. 1

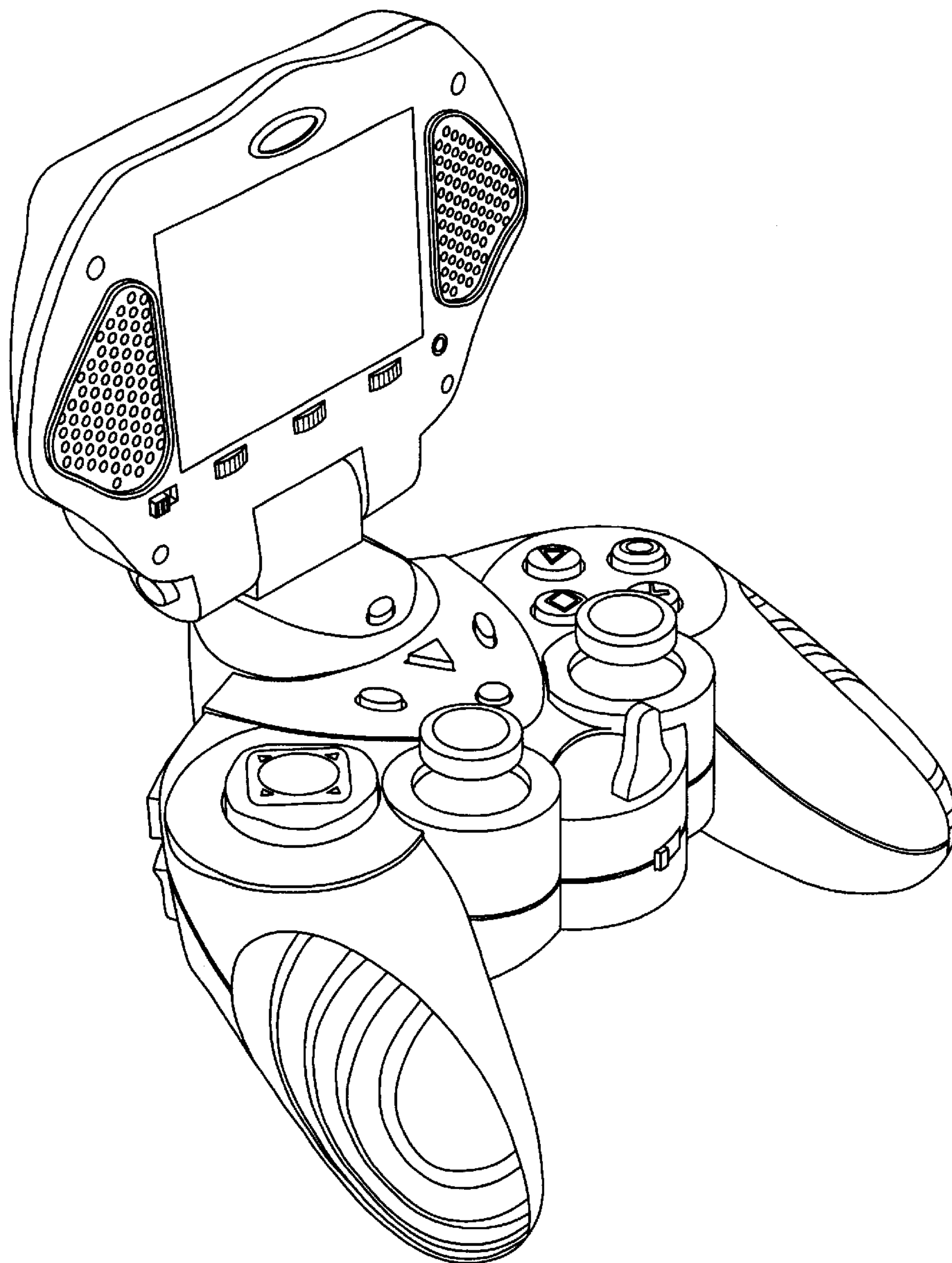


Fig. 2

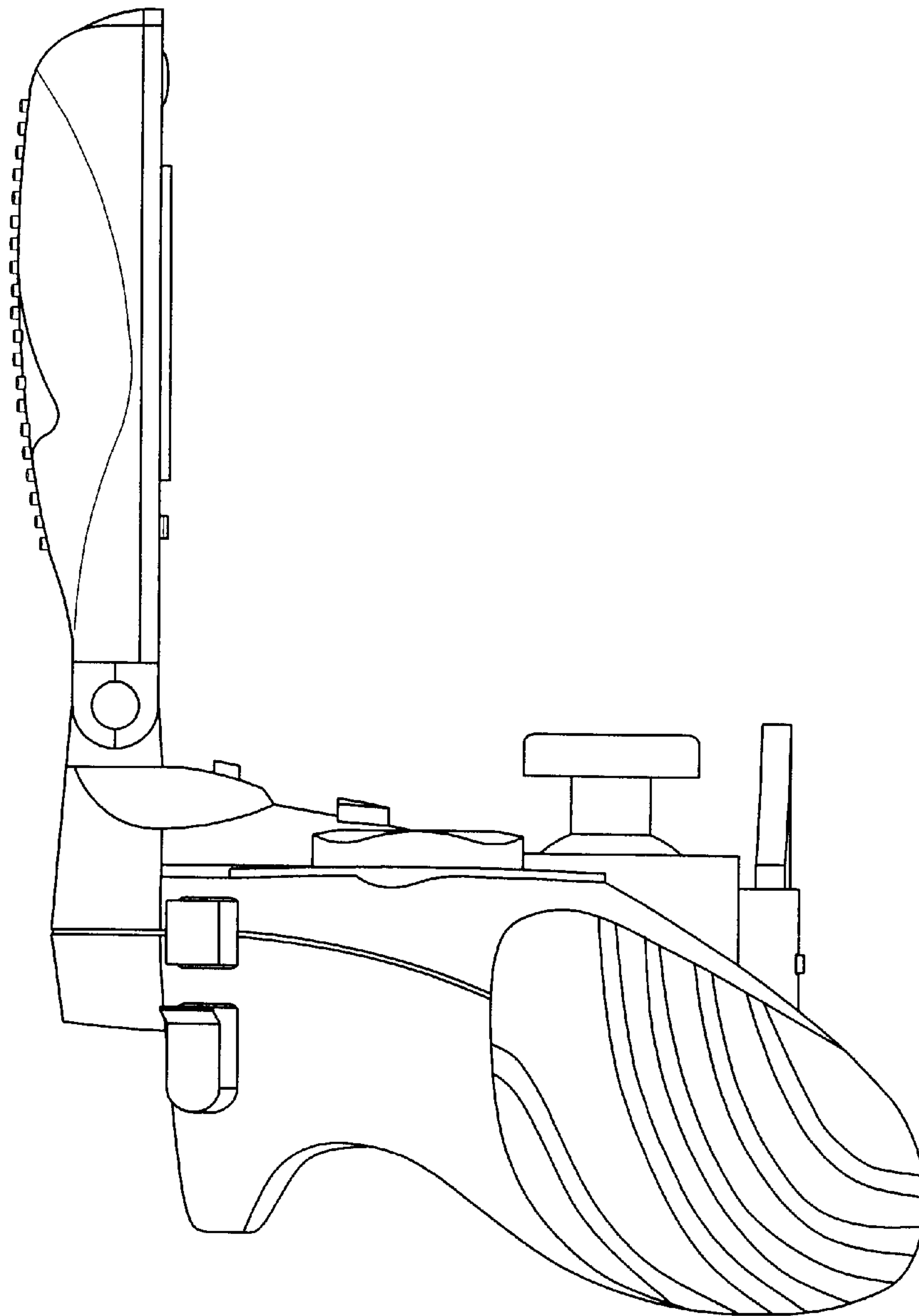


Fig. 3

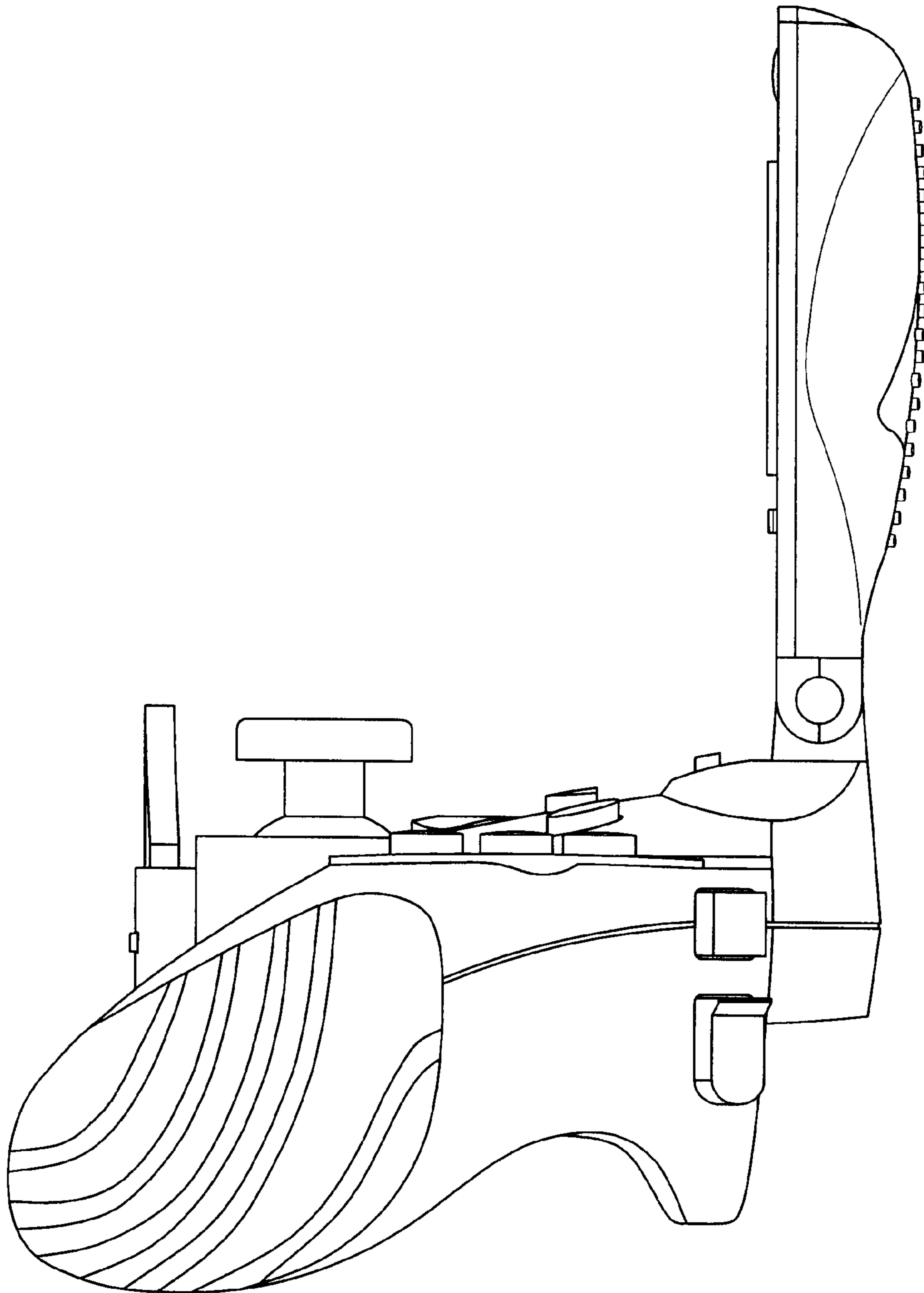


Fig. 4

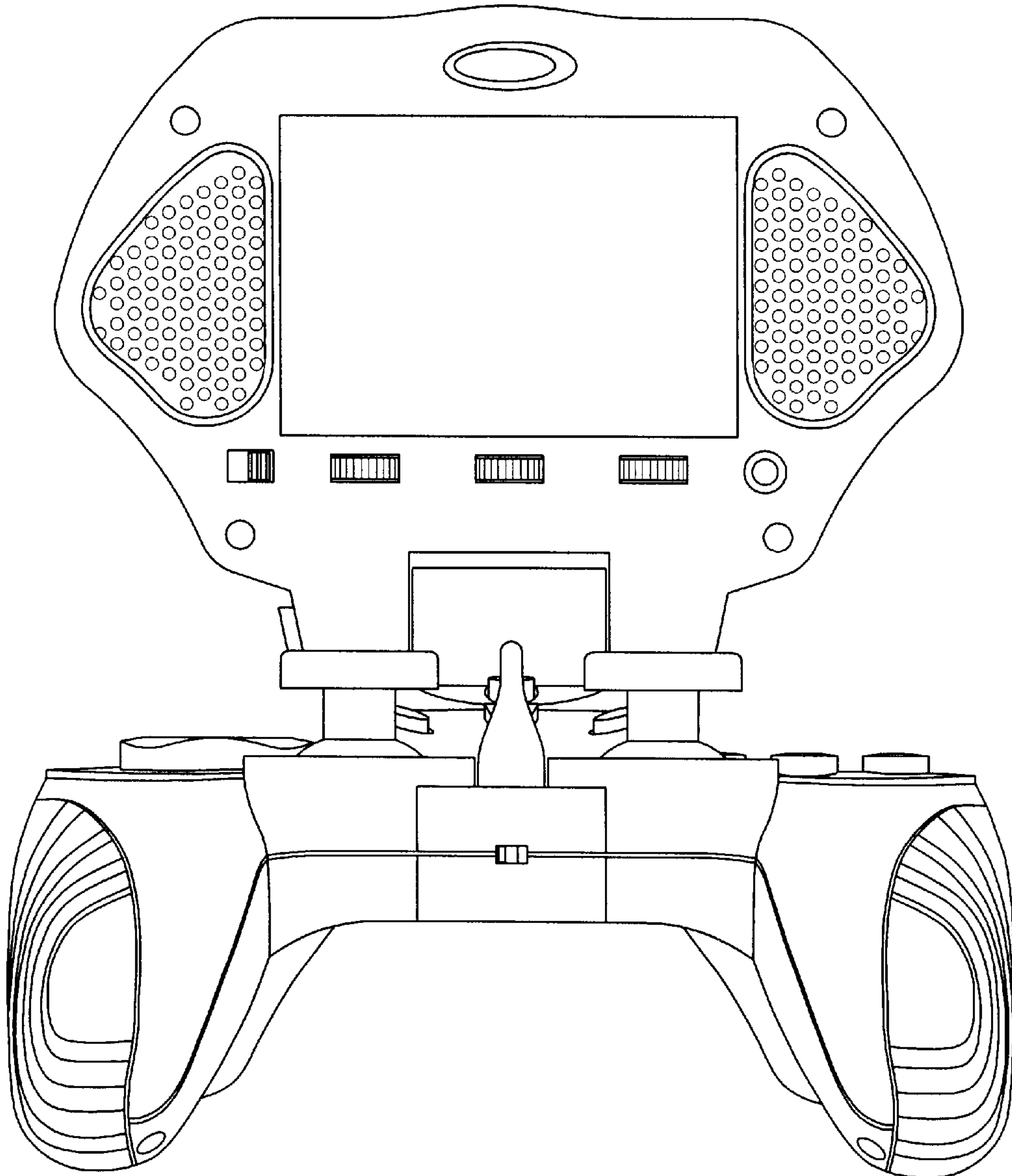


Fig. 5

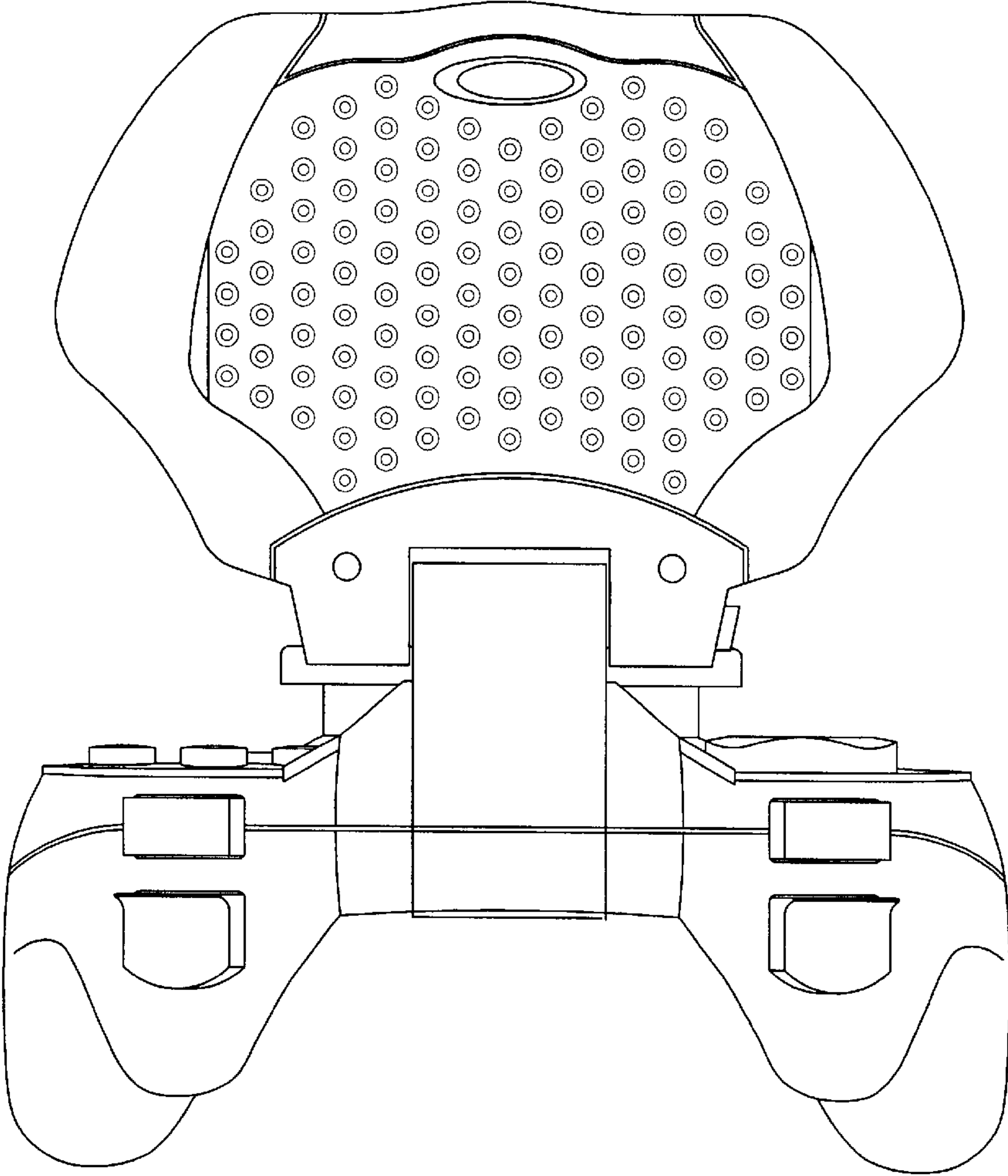


Fig. 6

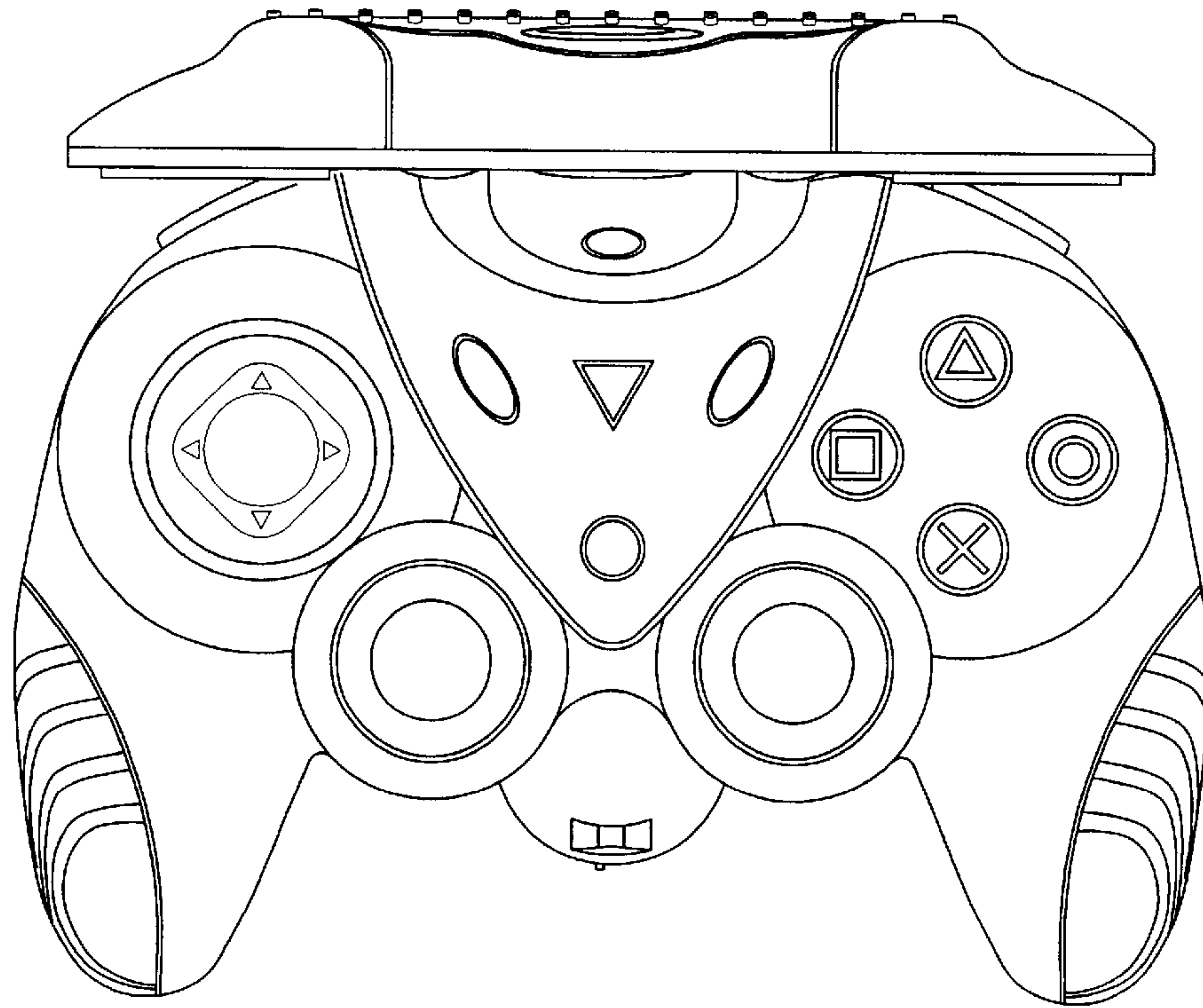


Fig. 7

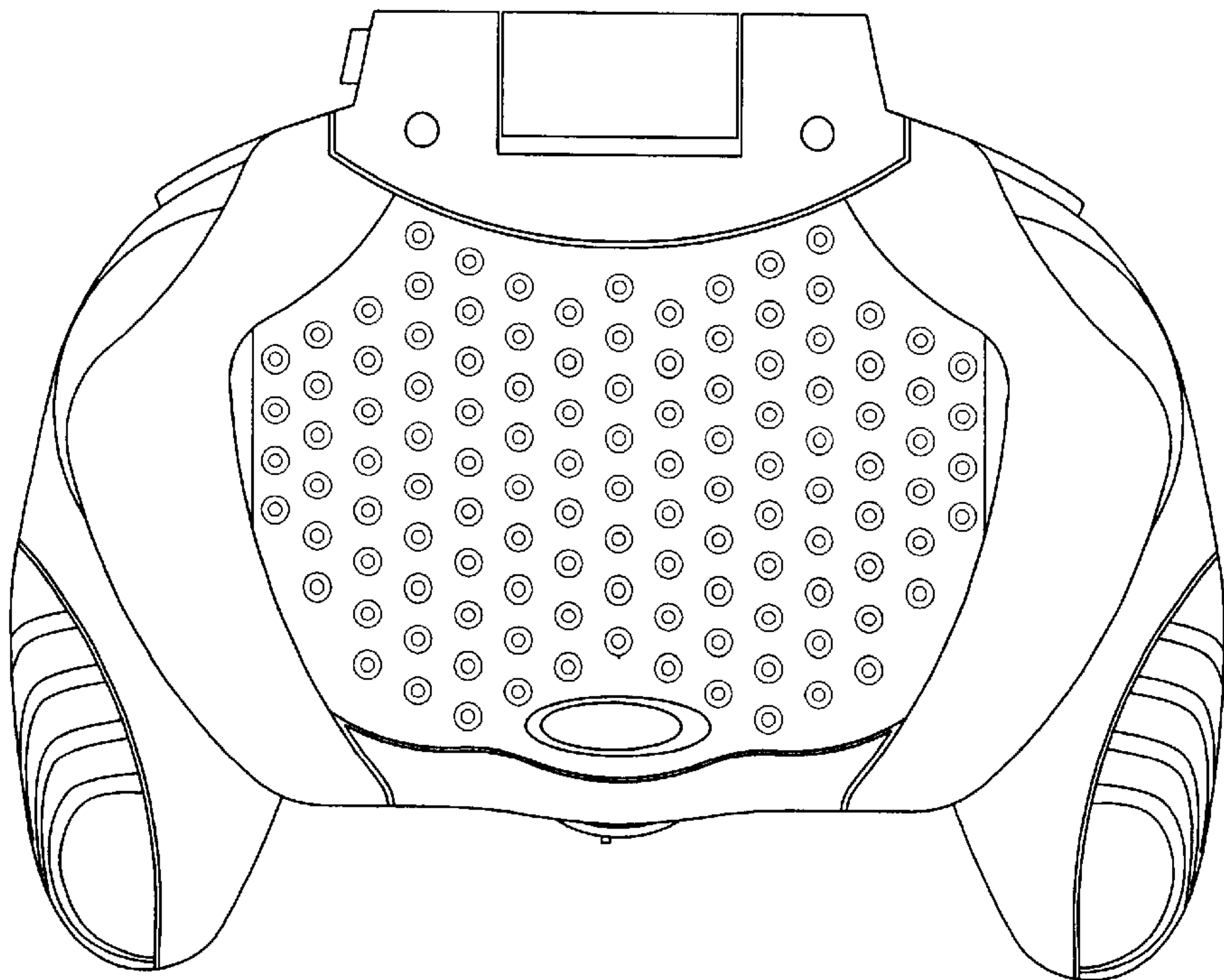


Fig. 8

