



US00D508082S

(12) **United States Design Patent** (10) **Patent No.:** **US D508,082 S**
Bain et al. (45) **Date of Patent:** **** *Aug. 2, 2005**

(54) **WRITING INSTRUMENT**

(75) Inventors: **Charles E. Bain**, Carpentersville, IL (US); **Amy Li**, Vernon Hills, IL (US)

(73) Assignee: **Sanford, L.P.**, Freeport, IL (US)

(*) Notice: This patent is subject to a terminal disclaimer.

(**) Term: **14 Years**

(21) Appl. No.: **29/208,901**

(22) Filed: **Jul. 7, 2004**

(51) **LOC (8) Cl.** **19-06**

(52) **U.S. Cl.** **D19/51; D19/50; D19/55**

(58) **Field of Search** D19/35, 36, 41-51, D19/53-58, 81-85; 401/99-102, 103-106, 107-110, 111-117, 209, 98, 202, 213, 262, 243-247; 24/10 R, 11 R, 11 F, 11 M, 11 P, 11 HC, 11 CT

(56) **References Cited**

U.S. PATENT DOCUMENTS

D213,739 S	*	4/1969	Konwiser	D19/51
D314,978 S		2/1991	Oka	D19/48
D324,067 S		2/1992	Katami	D19/48
D330,911 S	*	11/1992	Tu	D19/51
D338,038 S		8/1993	Oka et al.	D19/48
D345,577 S		3/1994	Hohner	D19/48
D352,311 S		11/1994	Waldinger	D19/51

D355,441 S		2/1995	Rosenbaum	D19/51
D363,739 S	*	10/1995	Petrillo	D19/48
D364,423 S	*	11/1995	Edgerley et al.	D19/51
D377,664 S		1/1997	Izushima	D19/51
D382,016 S	*	8/1997	Takahashi	D19/51
D390,601 S		2/1998	Irby	D19/49
D448,046 S	*	9/2001	Polidoro	D19/43
D454,367 S		3/2002	Ferrara	D19/48
D456,042 S	*	4/2002	Versace	D19/50
D456,845 S		5/2002	Rommel	D19/49
D472,272 S	*	3/2003	Koury et al.	D19/57
D472,576 S	*	4/2003	Koury et al.	D19/43

* cited by examiner

Primary Examiner—Martie K. Holtje

(74) *Attorney, Agent, or Firm*—Marshall, Gerstein & Borun LLP

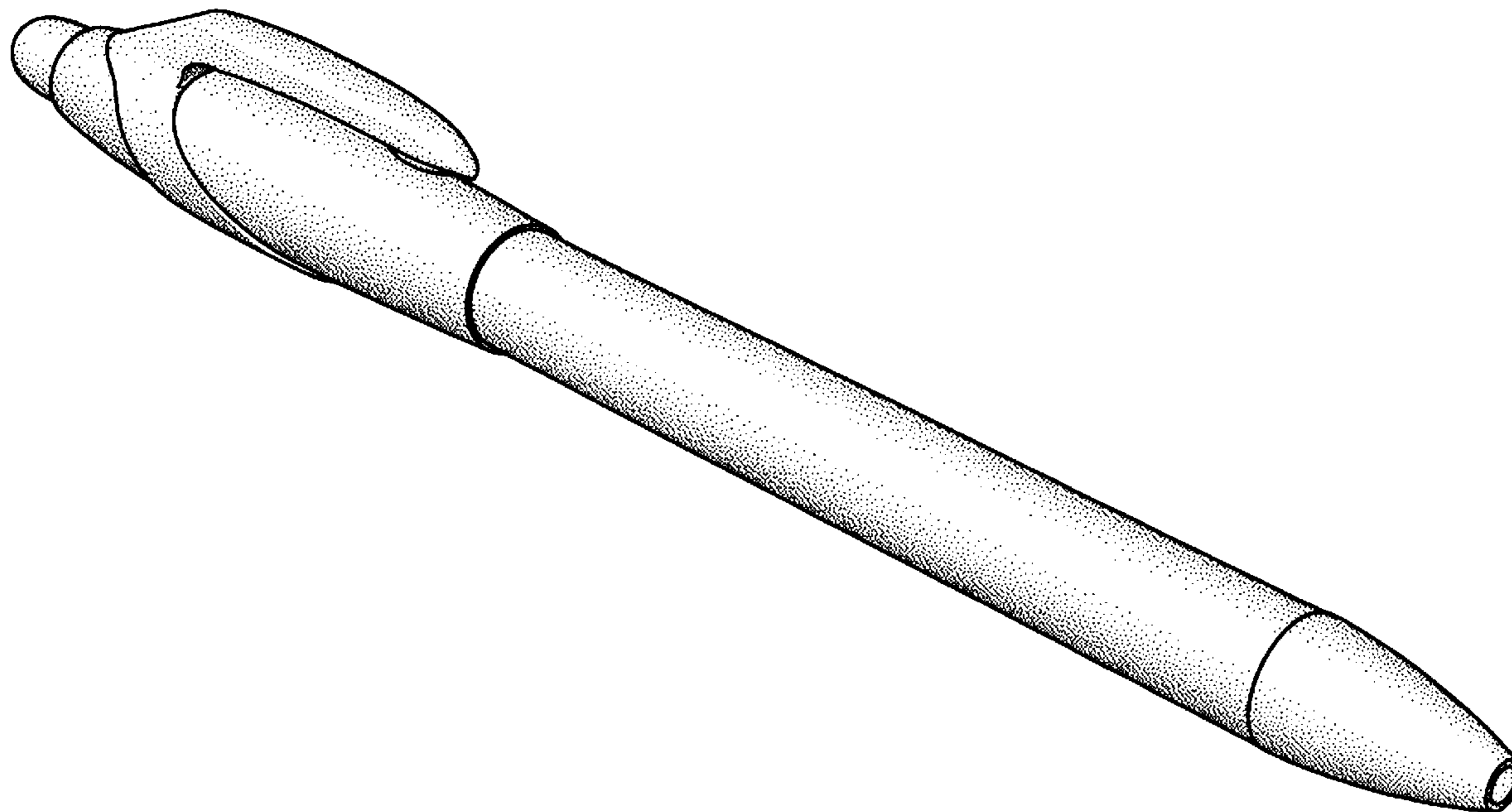
(57) **CLAIM**

The ornamental design for a “writing instrument,” as shown and described.

DESCRIPTION

FIG. 1 is a right side perspective view taken from the side and below showing our new design;
 FIG. 2 is a front elevational view thereof;
 FIG. 3 is a right side elevational view, the left side elevational view being a mirror image thereof;
 FIG. 4 is a rear elevational view thereof;
 FIG. 5 is a bottom view thereof; and,
 FIG. 6 is a plan view thereof.

1 Claim, 2 Drawing Sheets



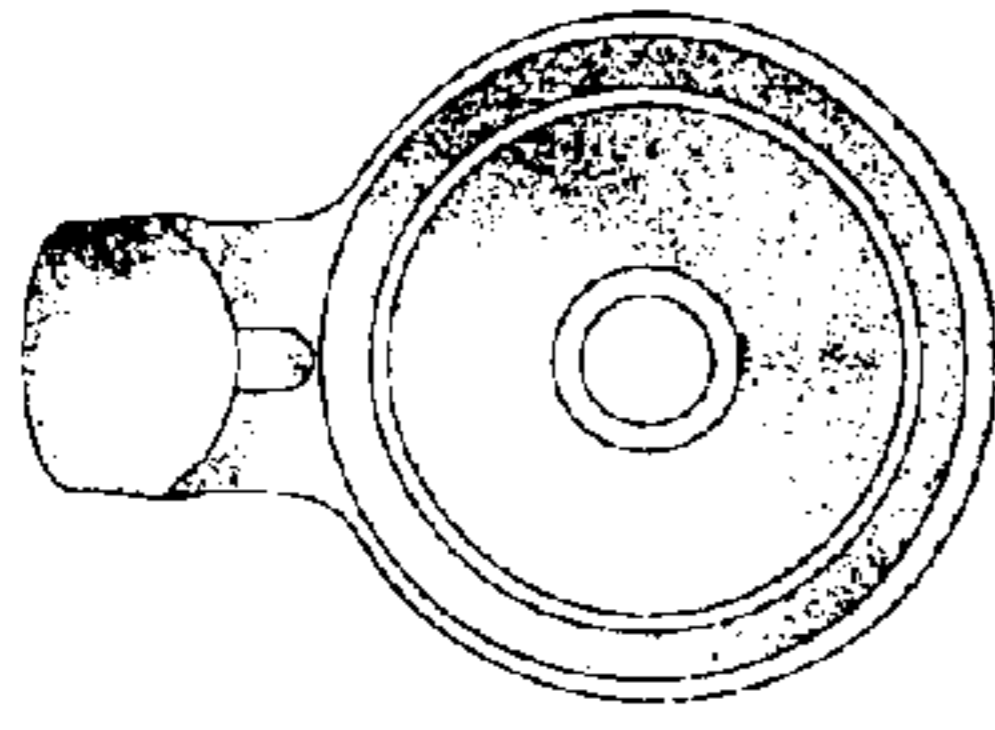


FIG. 5

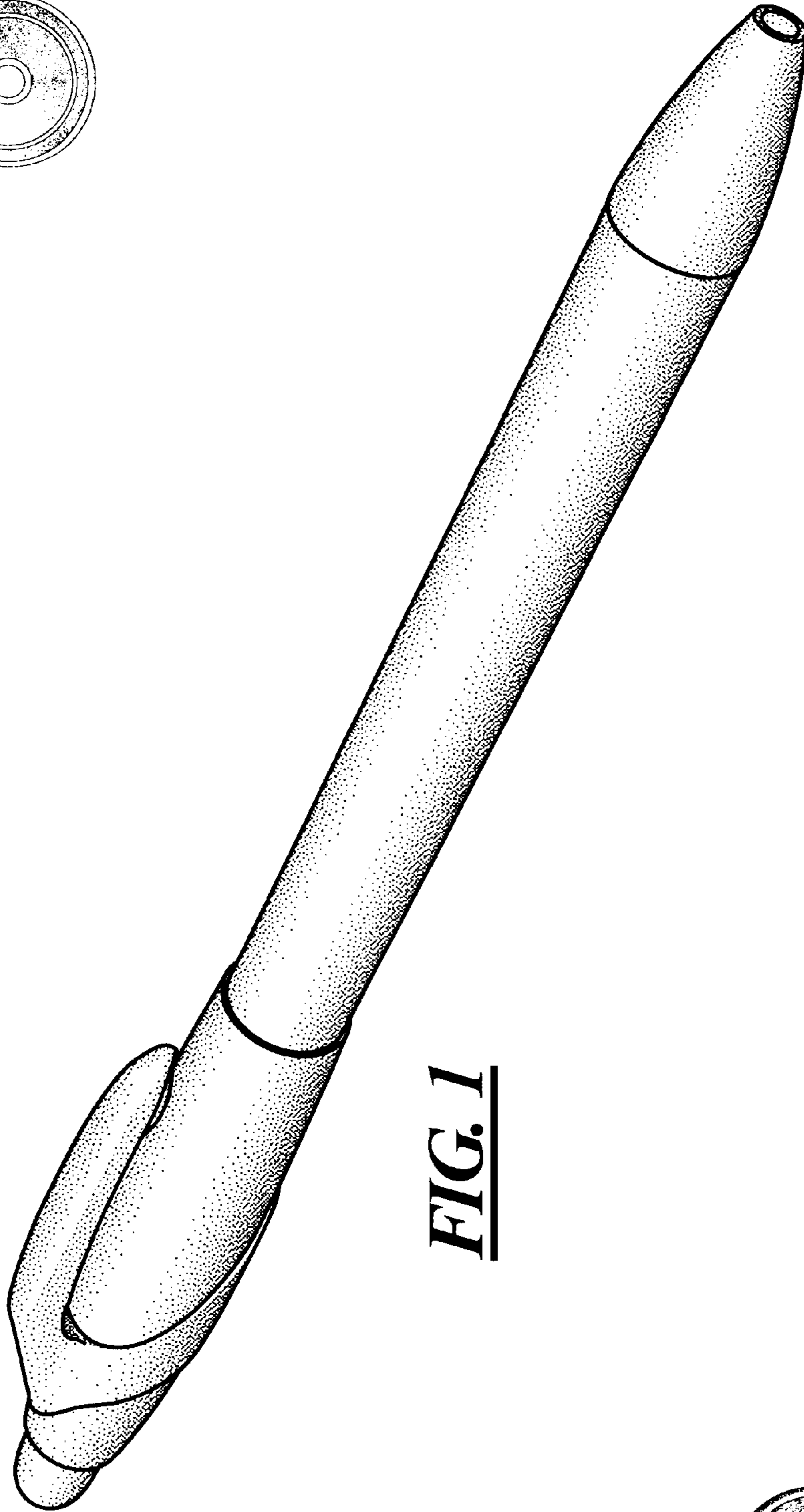


FIG. 1

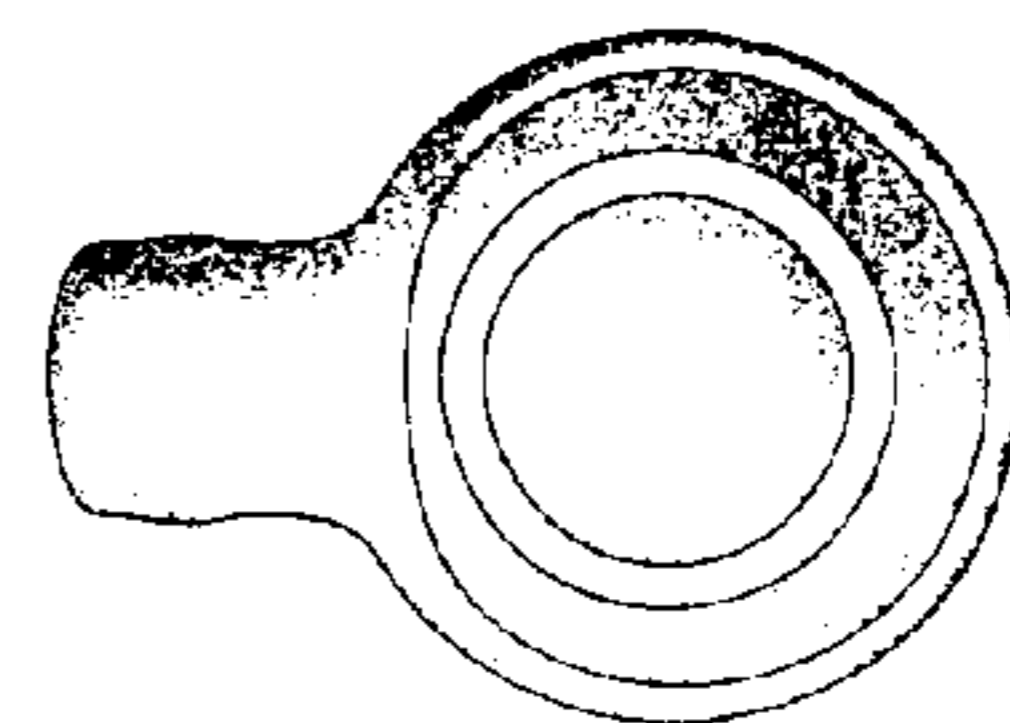


FIG. 6

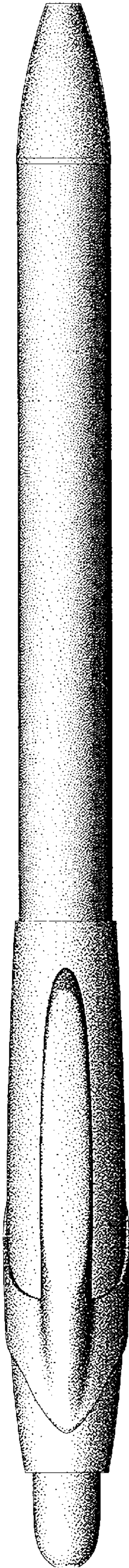


FIG. 2

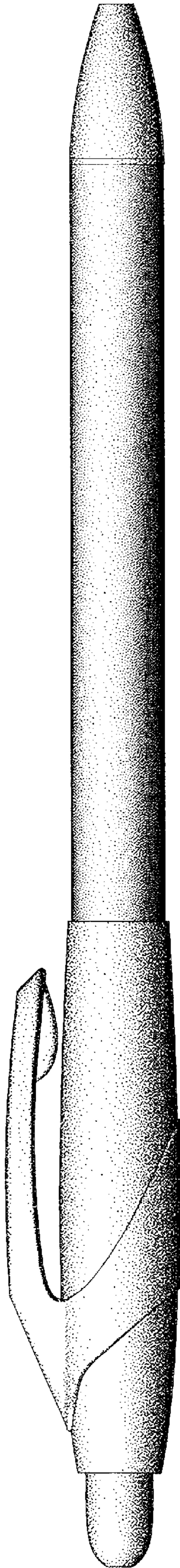


FIG. 3

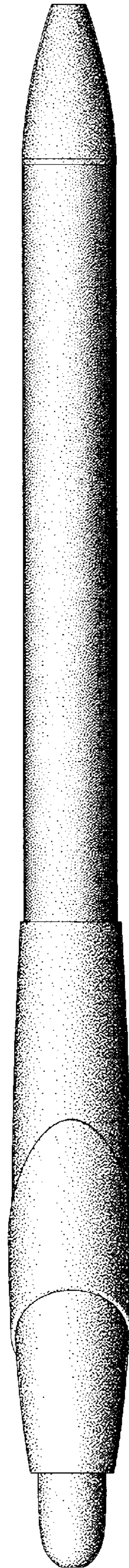


FIG. 4