

US00D508076S

(12) **United States Design Patent**
Kaplan

(10) **Patent No.:** **US D508,076 S**
(45) **Date of Patent:** **** Aug. 2, 2005**

(54) **COMBINATION PEN AND NOTEPAD HOLDER**

DESCRIPTION

(76) Inventor: **Matthew Kaplan**, 4521 PGA Blvd.,
Palm Beach Gardens, FL (US) 33418

(**) Term: **14 Years**

(21) Appl. No.: **29/214,664**

(22) Filed: **Oct. 5, 2004**

(51) **LOC (8) Cl.** **19-06**

(52) **U.S. Cl.** **D19/36; D19/78; D19/51;**
D19/55; D19/46

(58) **Field of Search** **D19/35, 36, 41-51,**
D19/53-58, 81-85, 75-78, 86, 90, 99, 100;
401/6, 7, 8, 88, 52, 195, 186; 206/214,
224, 371; 211/69.1-69.9

(56) **References Cited**

U.S. PATENT DOCUMENTS

1,344,498	A	*	6/1920	Fox	D19/78
1,577,272	A	*	3/1926	Treadaway	401/195
2,864,367	A	*	12/1958	Mende	401/186
3,092,244	A	*	6/1963	McWhirter	401/195
D228,083	S	*	8/1973	Longarzo	D19/36
3,961,852	A	*	6/1976	Parry	401/195
4,951,856	A	*	8/1990	Horgan	401/8
D346,619	S	*	5/1994	Ho	D19/36
D450,766	S	*	11/2001	Rosenbaum	D19/36
D480,755	S	*	10/2003	Rosenbaum	D19/36
D487,869	S	*	3/2004	Mandel et al.	D19/77

* cited by examiner

Primary Examiner—Martie K. Holtje

(74) *Attorney, Agent, or Firm*—McHale & Slavin

(57) **CLAIM**

The ornamental design for a combination pen and notepad holder, as shown and described.

FIG. 1 is a perspective view of the combination pen and notepad holder of the invention taken from the front and left in which the combination pen and notepad holder is in an attached configuration;

FIG. 2 is a perspective view of the combination pen and notepad holder of the invention in the configuration shown in FIG. 1 taken from the rear and left;

FIG. 3 is a right side view of the combination pen and notepad holder of the invention in the configuration shown in FIG. 1;

FIG. 4 is left side view of the combination pen and notepad holder of the invention in the configuration shown in FIG. 1;

FIG. 5 is a front elevation view of the combination pen and notepad holder of the invention in the configuration shown in FIG. 1;

FIG. 6 is a rear elevation view of the combination pen and notepad holder of the invention in the configuration shown in FIG. 1;

FIG. 7 is a bottom end view of the combination pen and notepad holder of the invention in the configuration shown in FIG. 1;

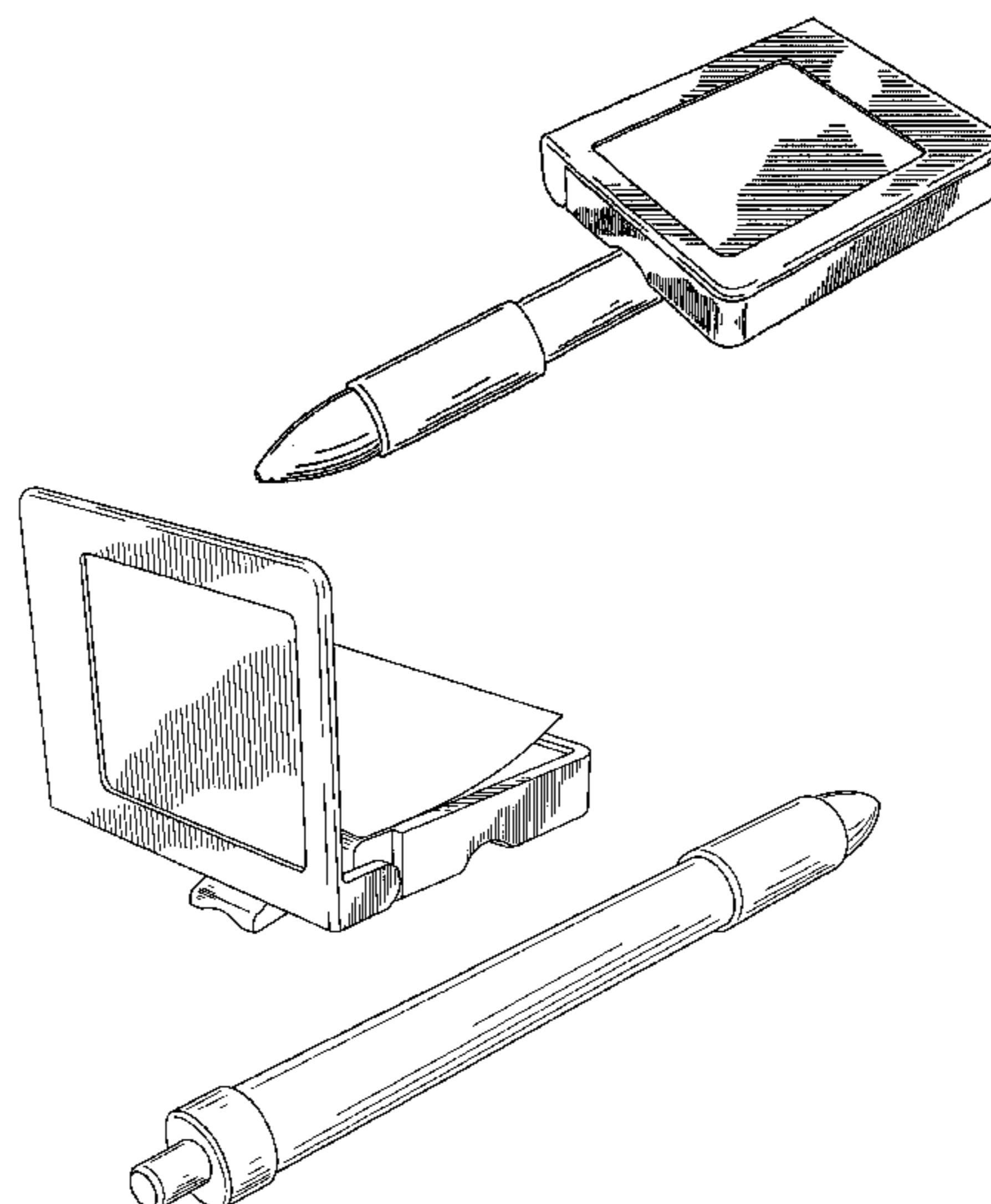
FIG. 8 is a top end view of the combination pen and notepad holder of the invention in the configuration shown in FIG. 1;

FIG. 9 is a front perspective view of the combination pen and notepad holder of the invention in which the combination pen and notepad holder is in a detached configuration and the notepad holder is in an open position showing the disposition of a pad of paper therein;

FIG. 10 is a rear perspective view of the combination pen and notepad holder of the invention in the configuration shown in FIG. 9; and,

FIG. 11 is a perspective view of the combination pen and notepad holder of the invention taken from the front and left in which the combination pen and notepad holder is an attached configuration and the notepad holder is in an open position showing the disposition of a pad of paper therein.

1 Claim, 11 Drawing Sheets



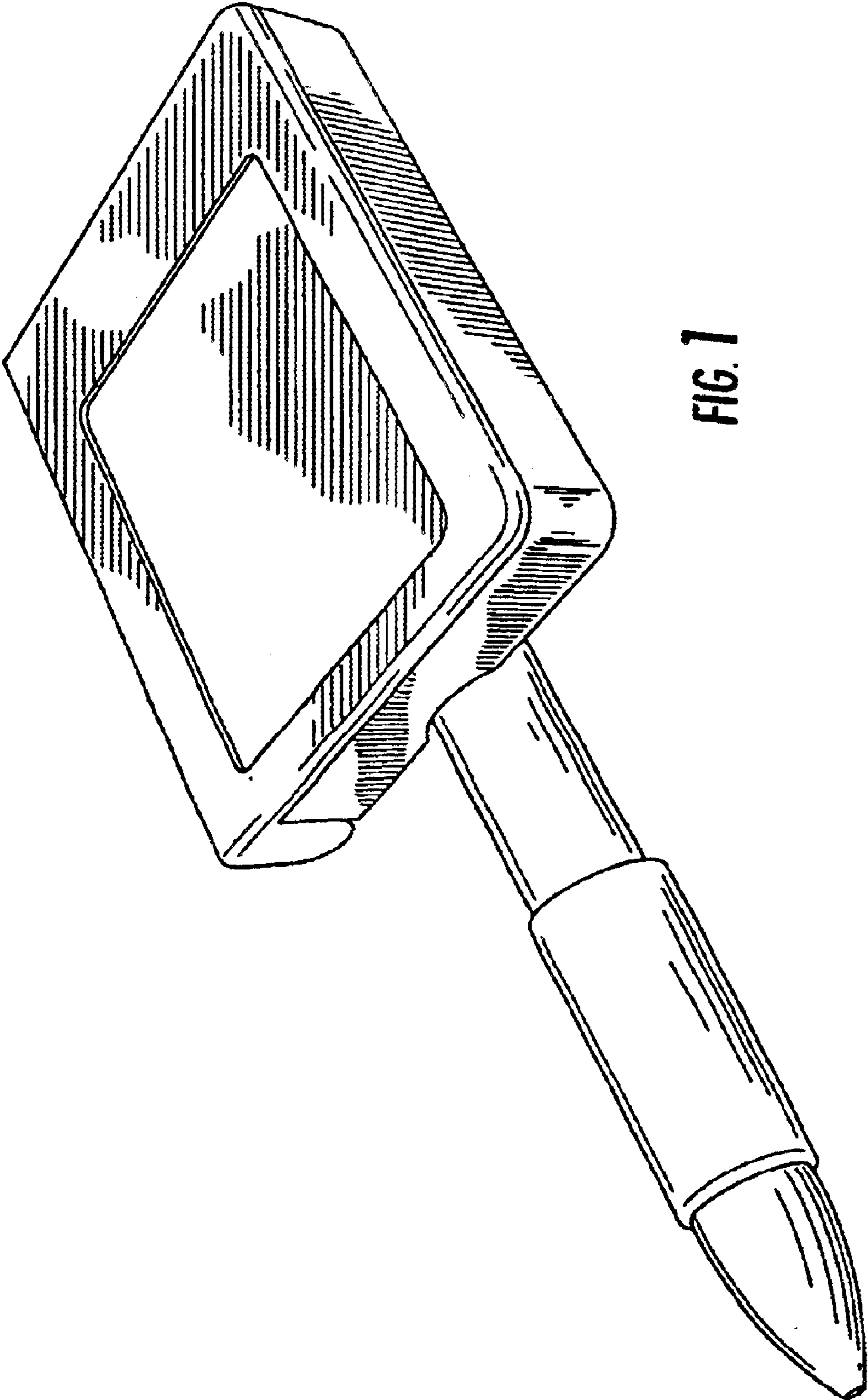


FIG. 1

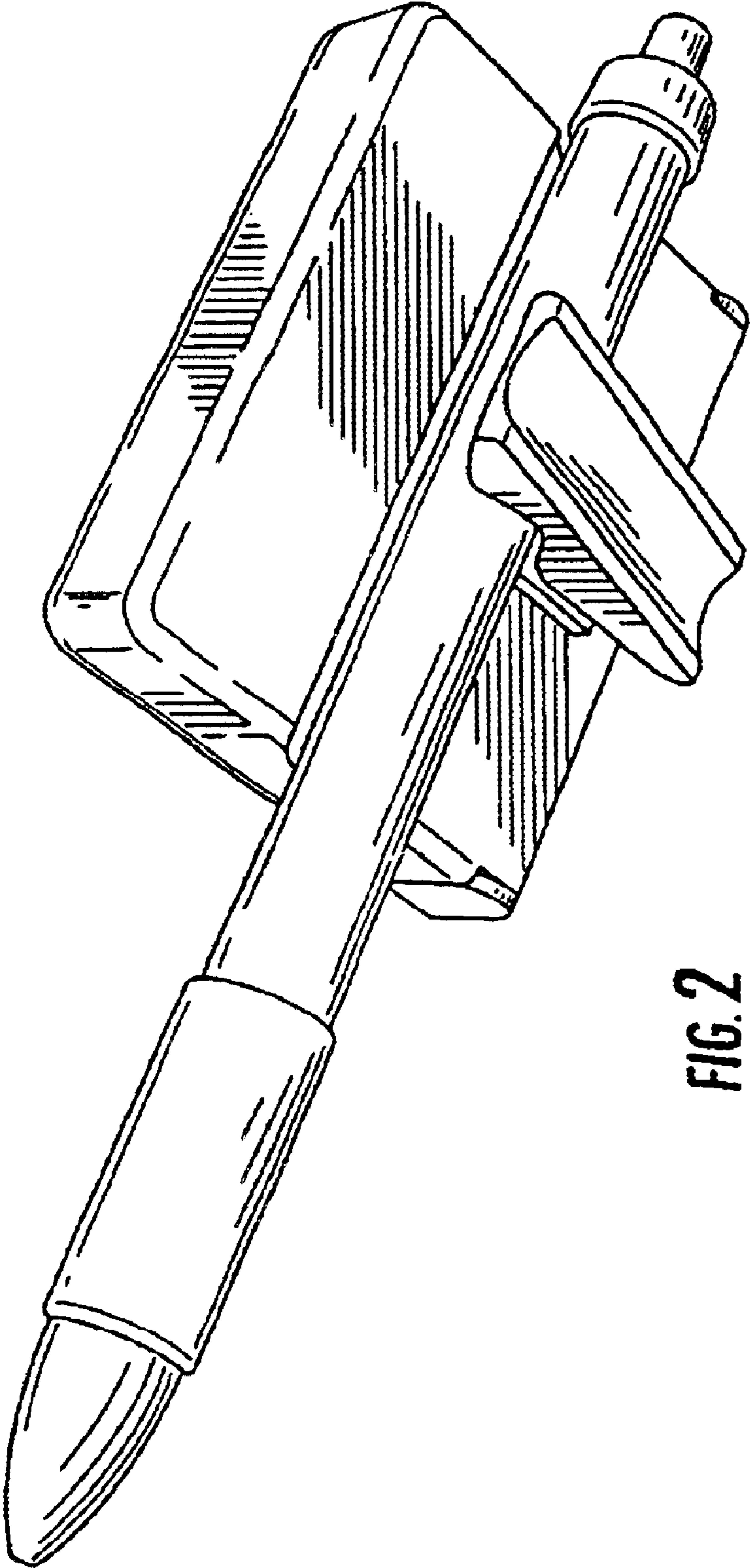


FIG. 2

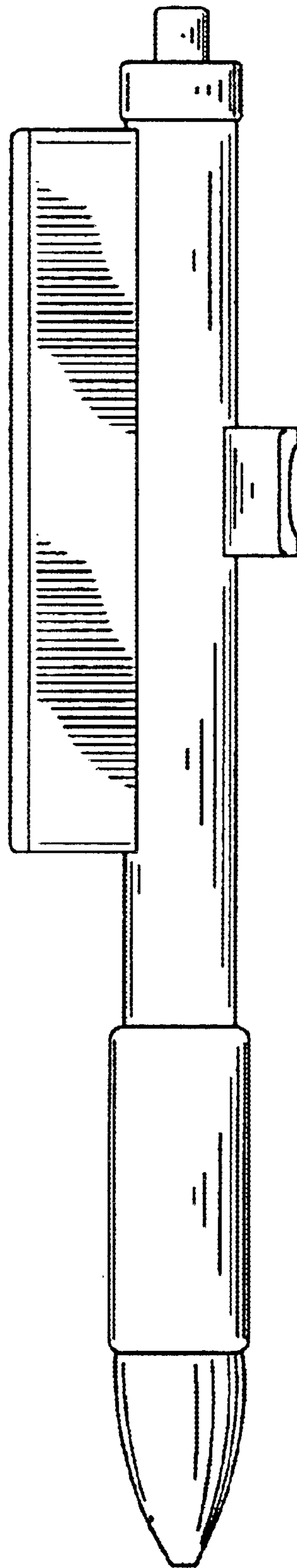


FIG. 3

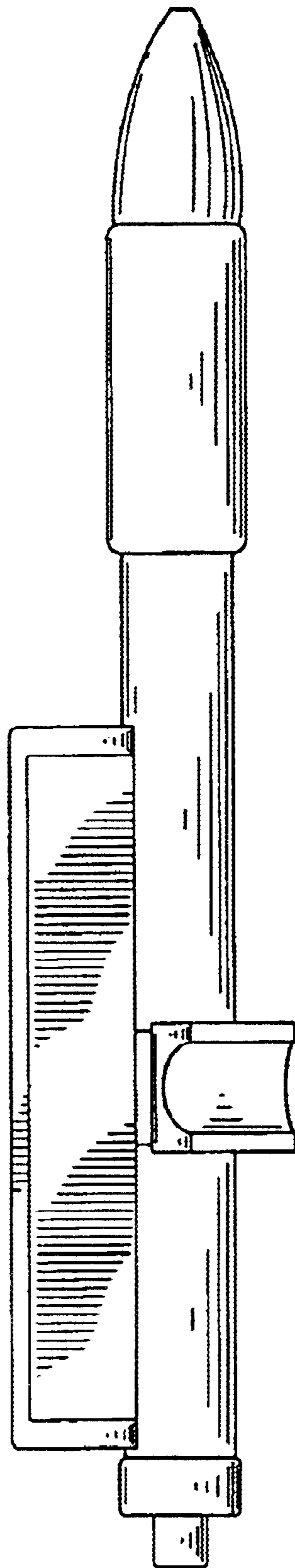


FIG. 4

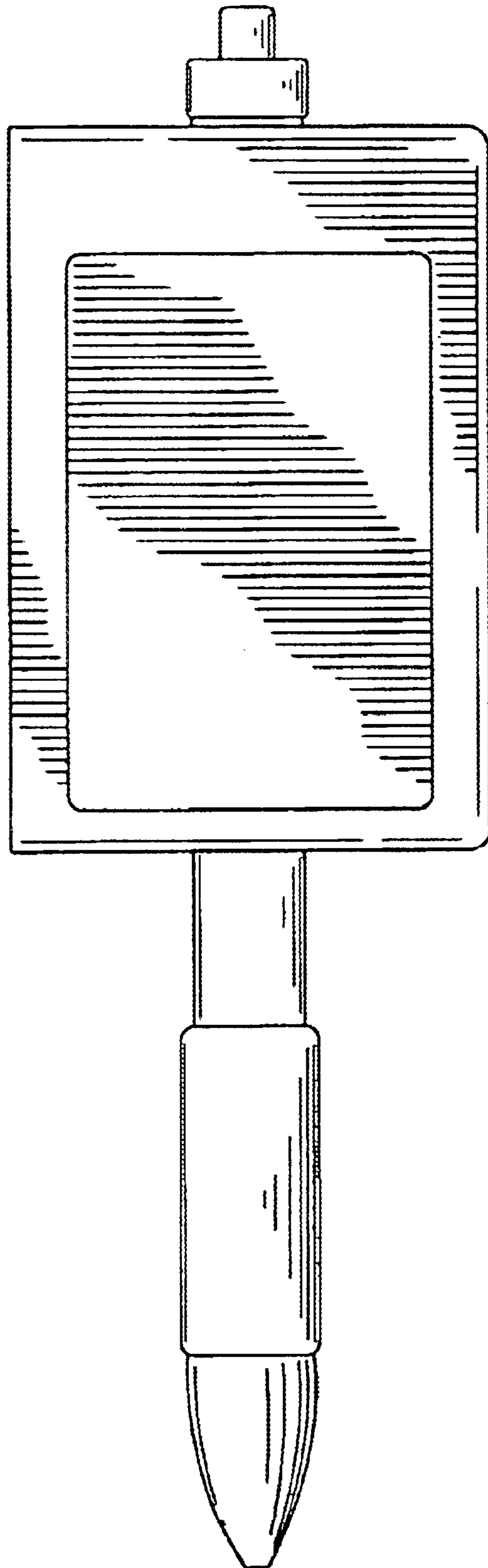


FIG. 5

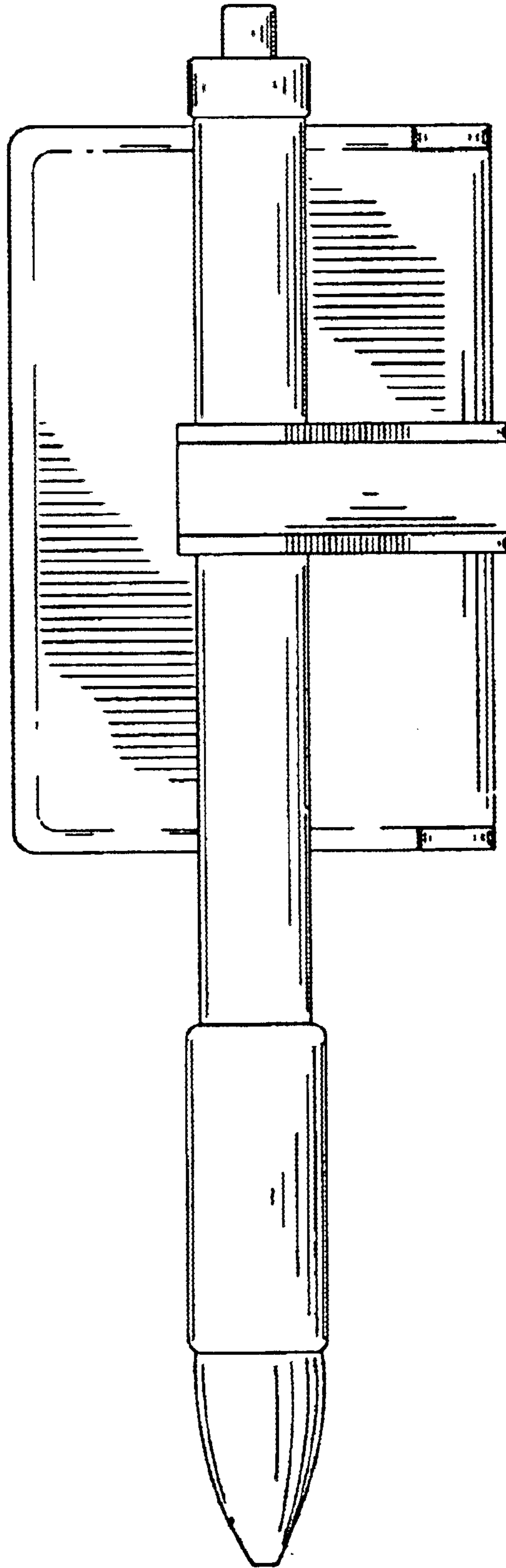


FIG. 6

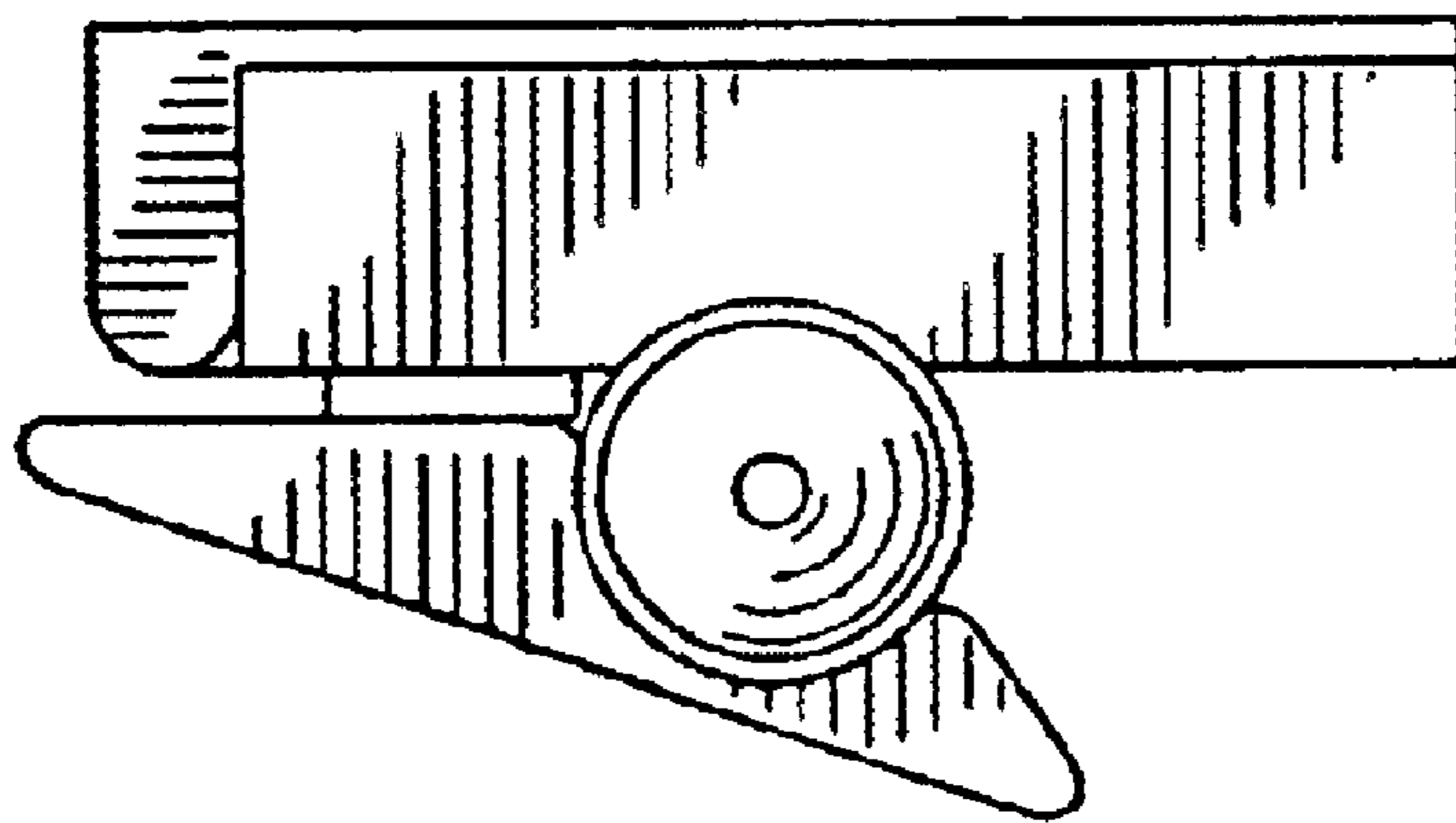


FIG. 7

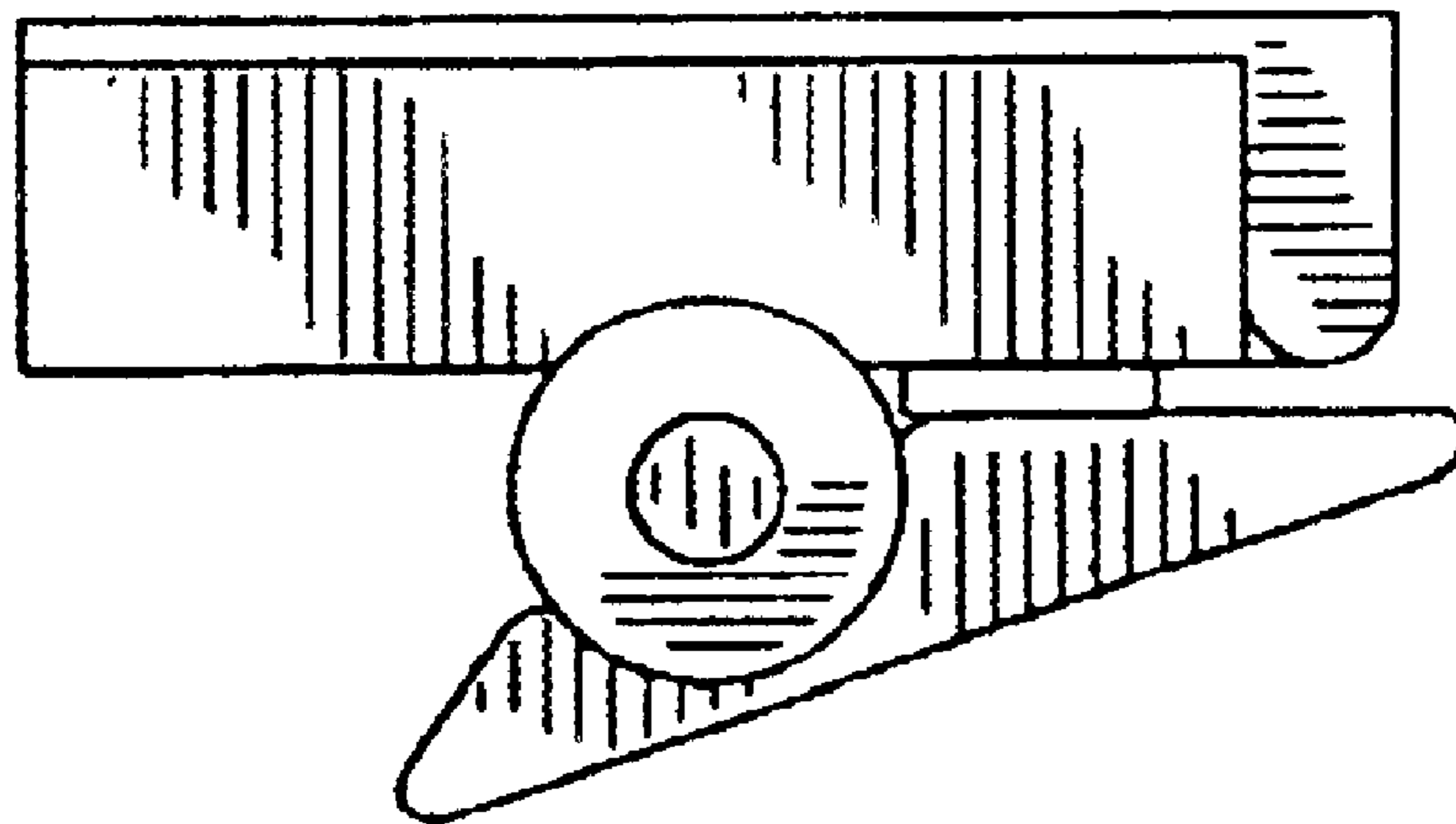


FIG. 8

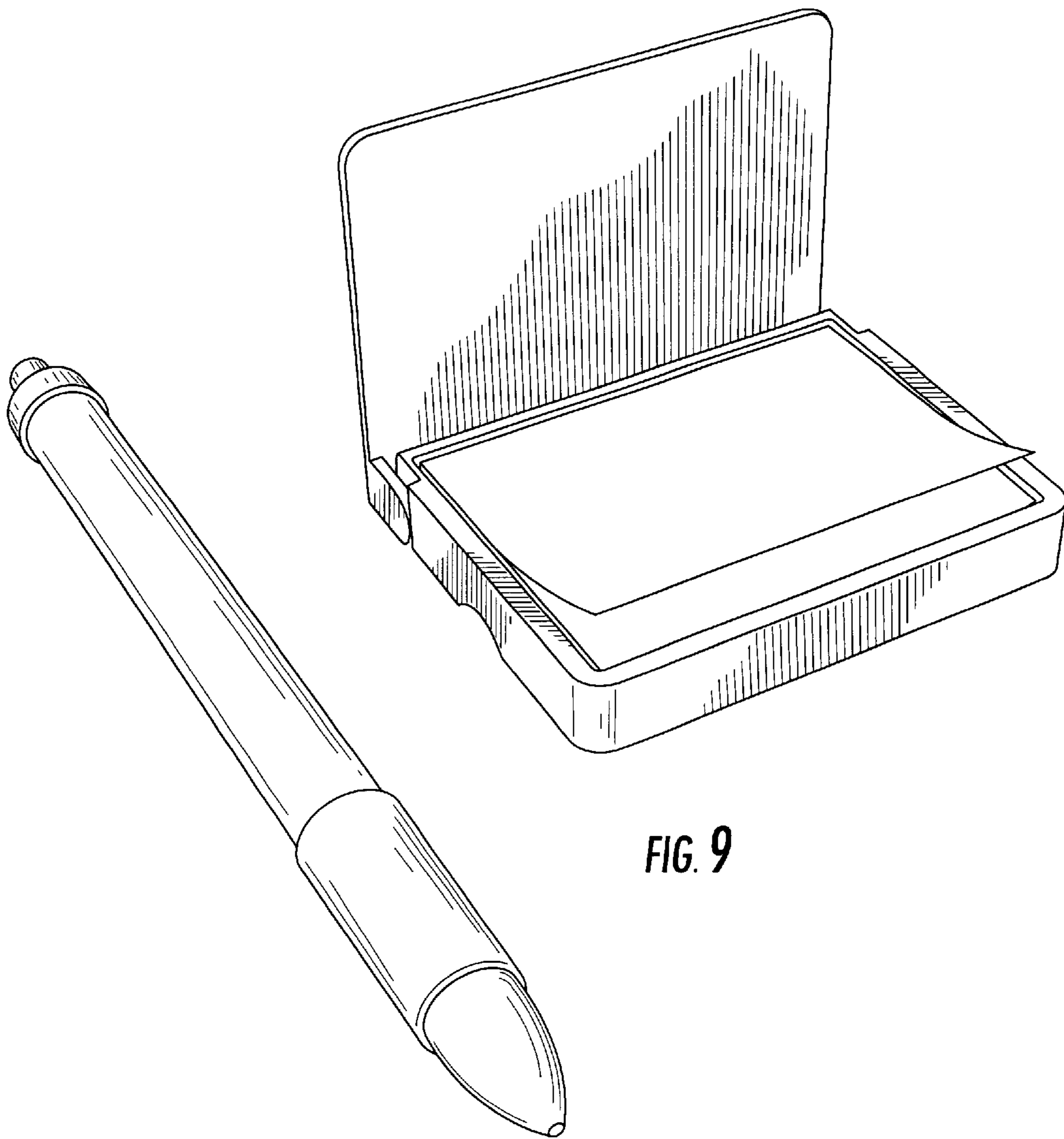


FIG. 9

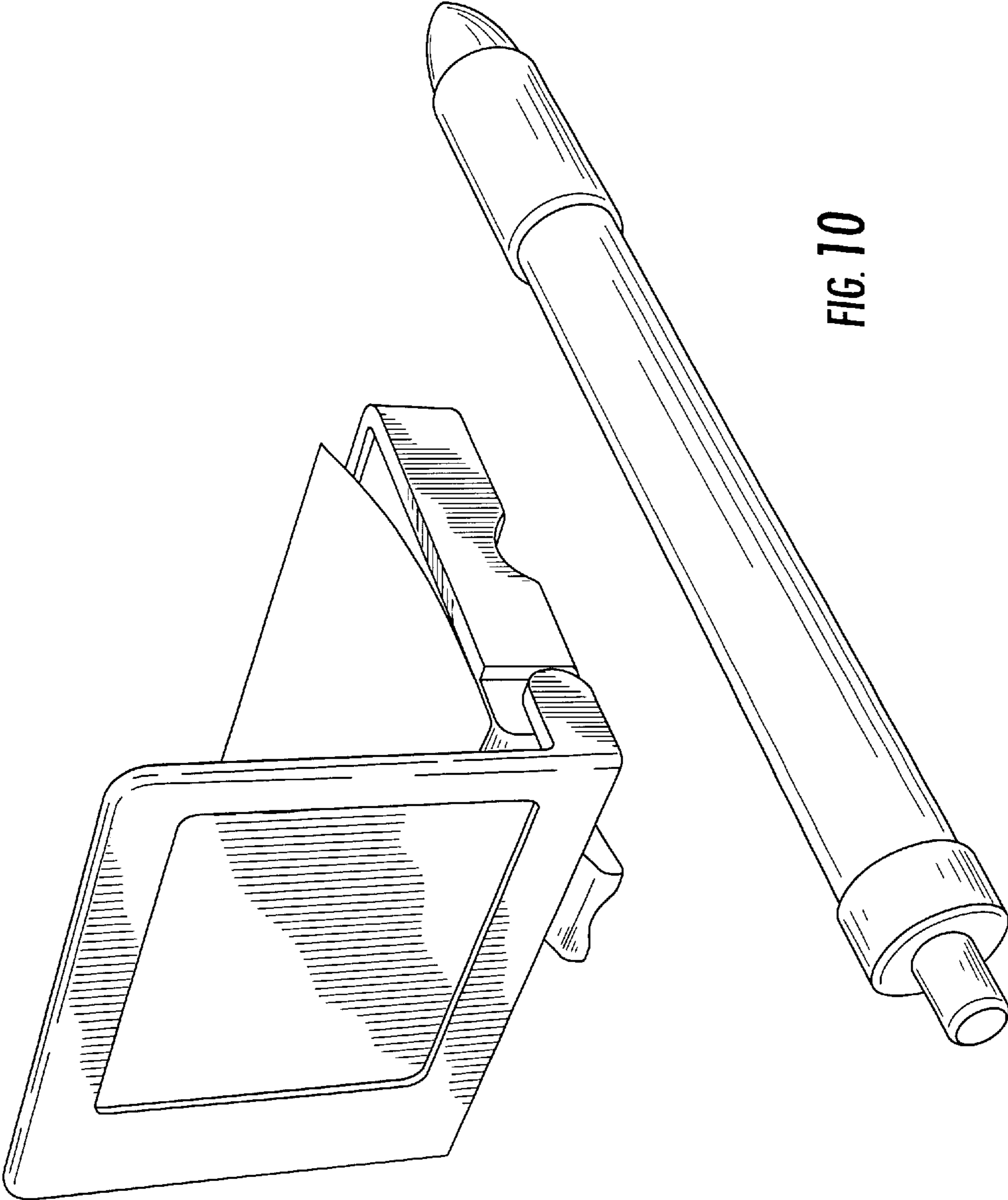


FIG. 10

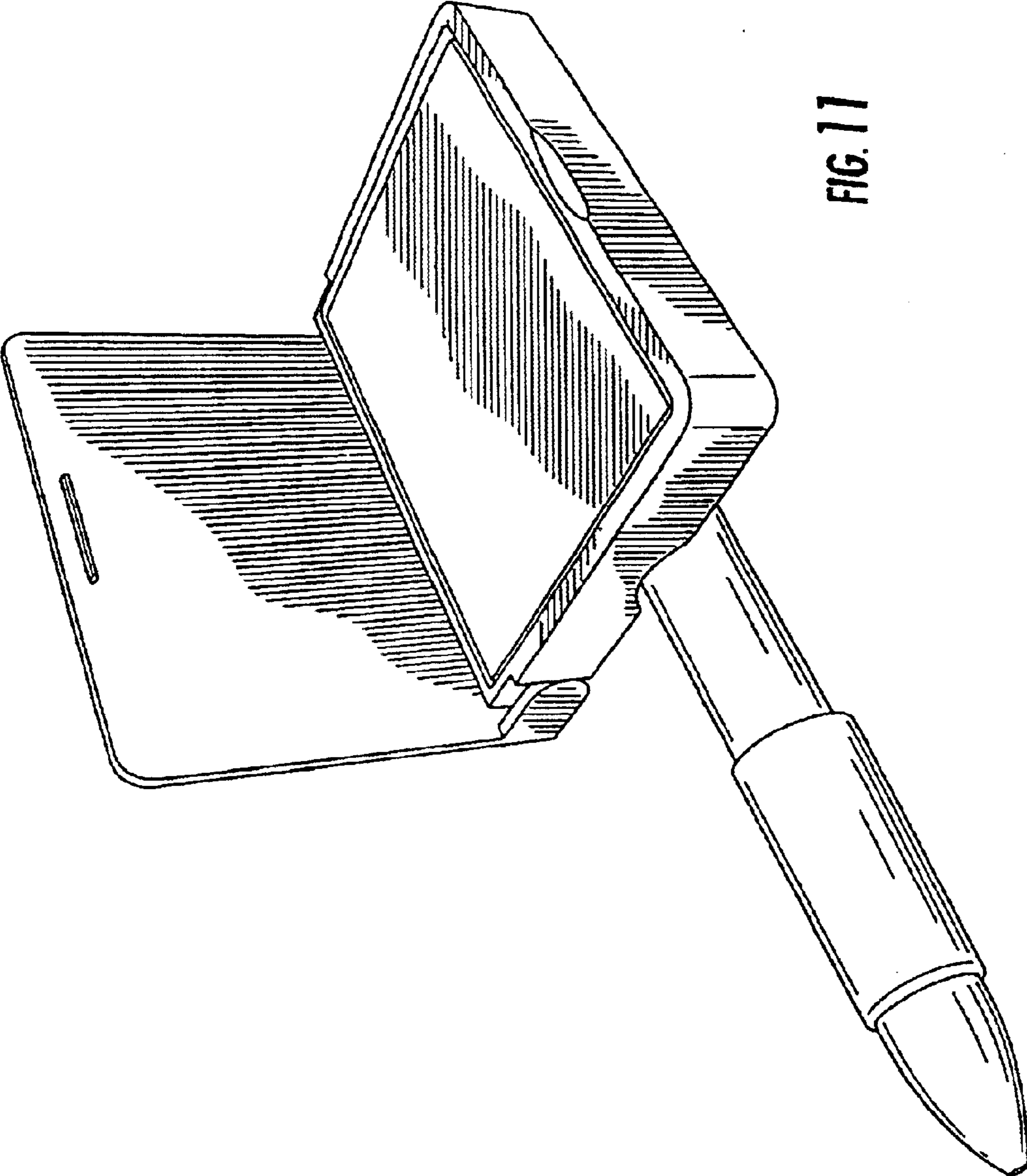


FIG. 11