

US00D508074S

(12) **United States Design Patent**
Batori et al.

(10) **Patent No.: US D508,074 S**
(45) **Date of Patent: ** Aug. 2, 2005**

(54) **IMAGE FORMING APPARATUS**

(75) Inventors: **Yoshiyuki Batori**, Mishima (JP);
Takeshi Arimitsu, Odawara (JP);
Masanari Morioka, Numazu (JP);
Naoki Matsumaru, Shizuoka-ken (JP);
Ken Kikuchi, Mishima (JP); **Hiroaki Sasaki**, Yokohama (JP)

(73) Assignee: **Canon Kabushiki Kaisha**, Tokyo (JP)

(**) Term: **14 Years**

(21) Appl. No.: **29/189,319**

(22) Filed: **Sep. 4, 2003**

(30) **Foreign Application Priority Data**

Mar. 10, 2003 (JP) 2003-006108

(51) **LOC (8) Cl.** **16-03**

(52) **U.S. Cl.** **D18/40**

(58) **Field of Search** D18/36-40, 43,
D18/56; D14/341; 222/DIG. 1; 399/24-33,
110-125, 252-262; 429/13, 44

(56) **References Cited**

U.S. PATENT DOCUMENTS

D367,880 S * 3/1996 Miyamoto D18/43

D479,263 S * 9/2003 Batori et al. D18/40
D489,753 S * 5/2004 Batori et al. D18/40
2004/0013446 A1 * 1/2004 Morioka et al. 399/111

FOREIGN PATENT DOCUMENTS

JP 1189237 12/2003

* cited by examiner

Primary Examiner—Caron D. Veynar

(74) *Attorney, Agent, or Firm*—Fitzpatrick, Cella, Harper & Scinto

(57) **CLAIM**

The ornamental design for an image forming apparatus, as shown and described.

DESCRIPTION

FIG. 1 is a front view of an image forming apparatus showing our new design;
FIG. 2 is a rear view thereof;
FIG. 3 is a top plan view thereof;
FIG. 4 is a bottom plan view thereof;
FIG. 5 is a left side view thereof;
FIG. 6 is a right side view thereof; and,
FIG. 7 is a perspective view thereof.

1 Claim, 6 Drawing Sheets

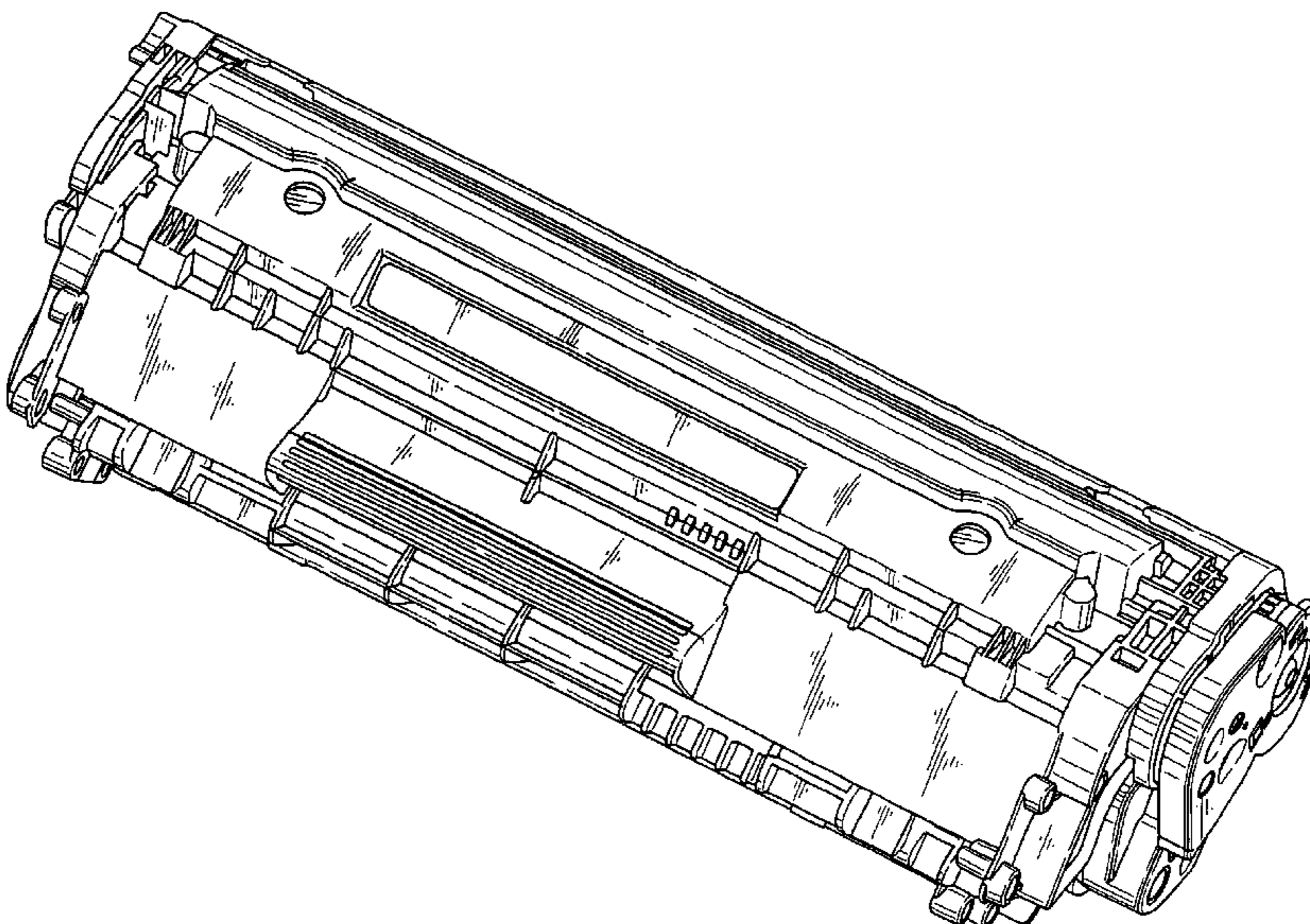
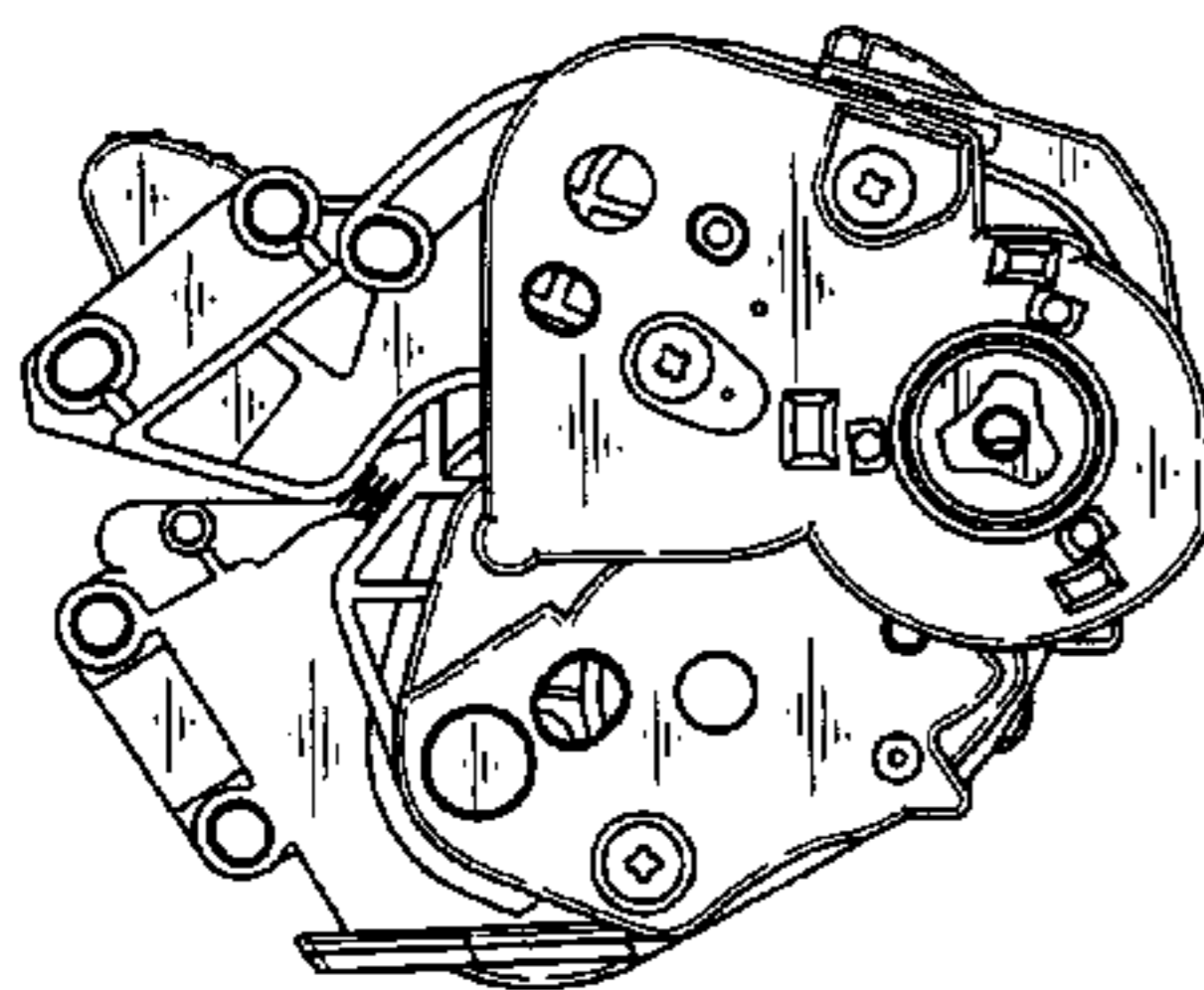


FIG. 1

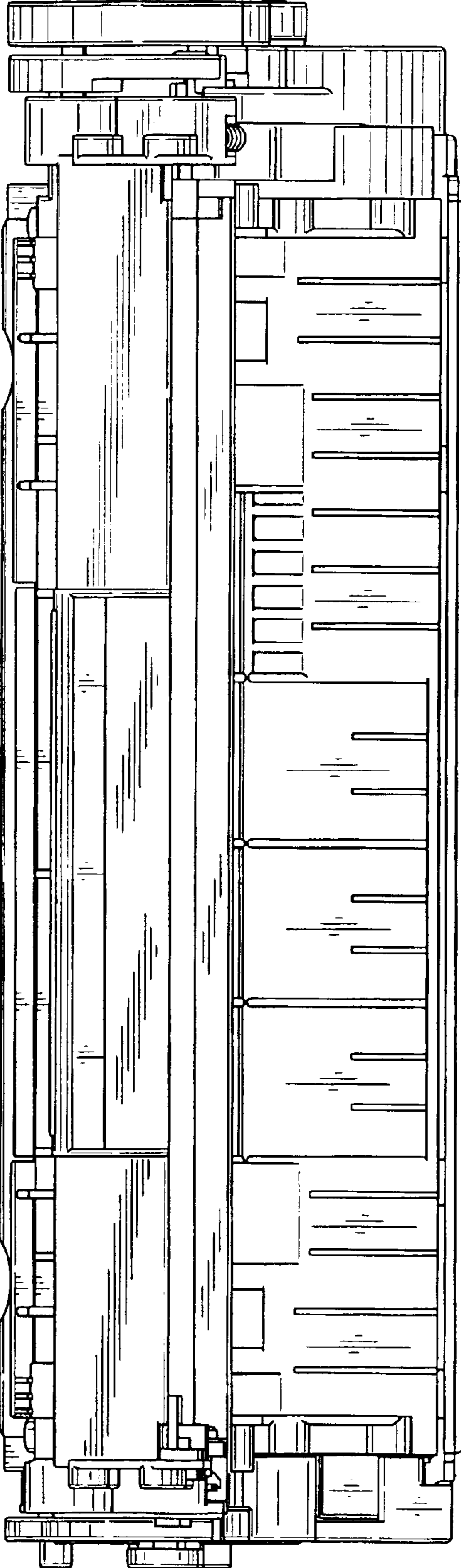


FIG. 2

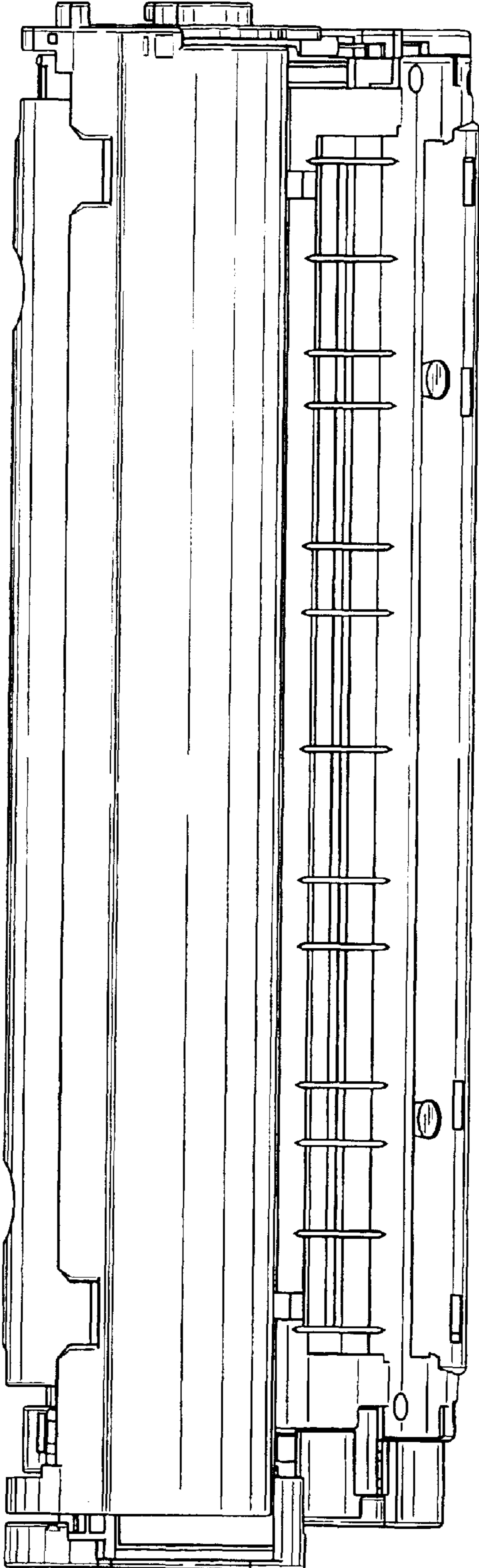


FIG. 3

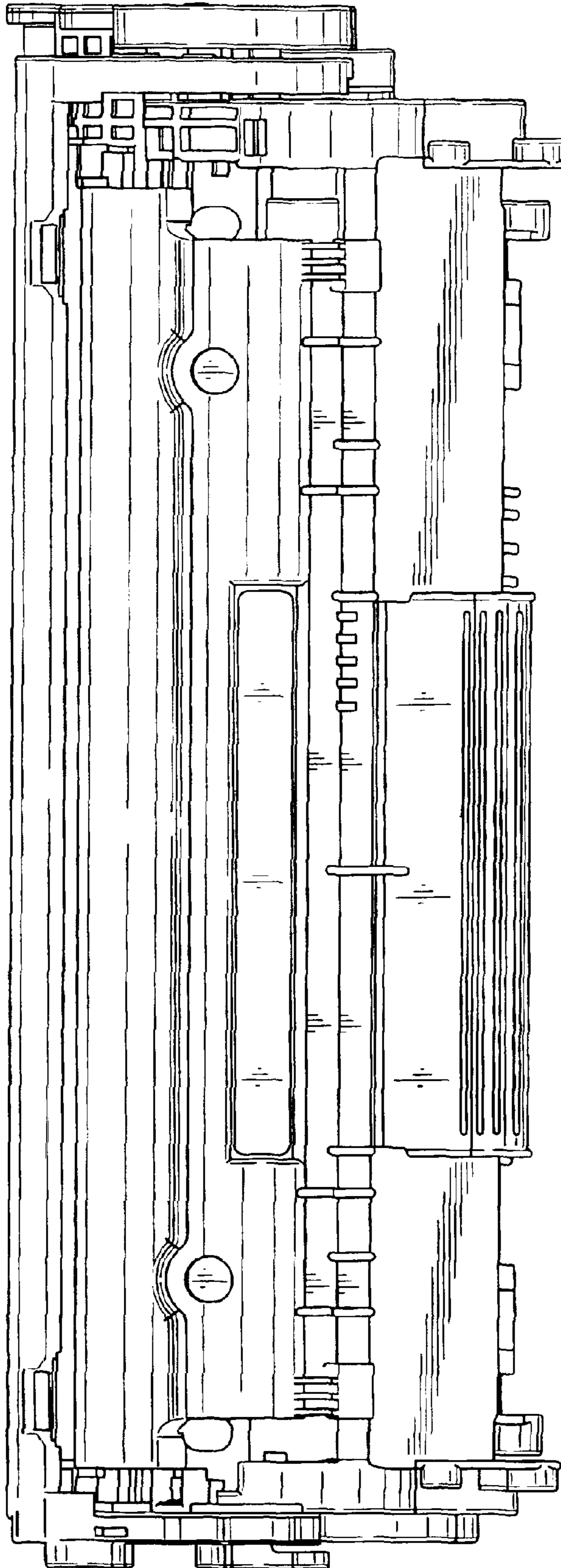


FIG. 4

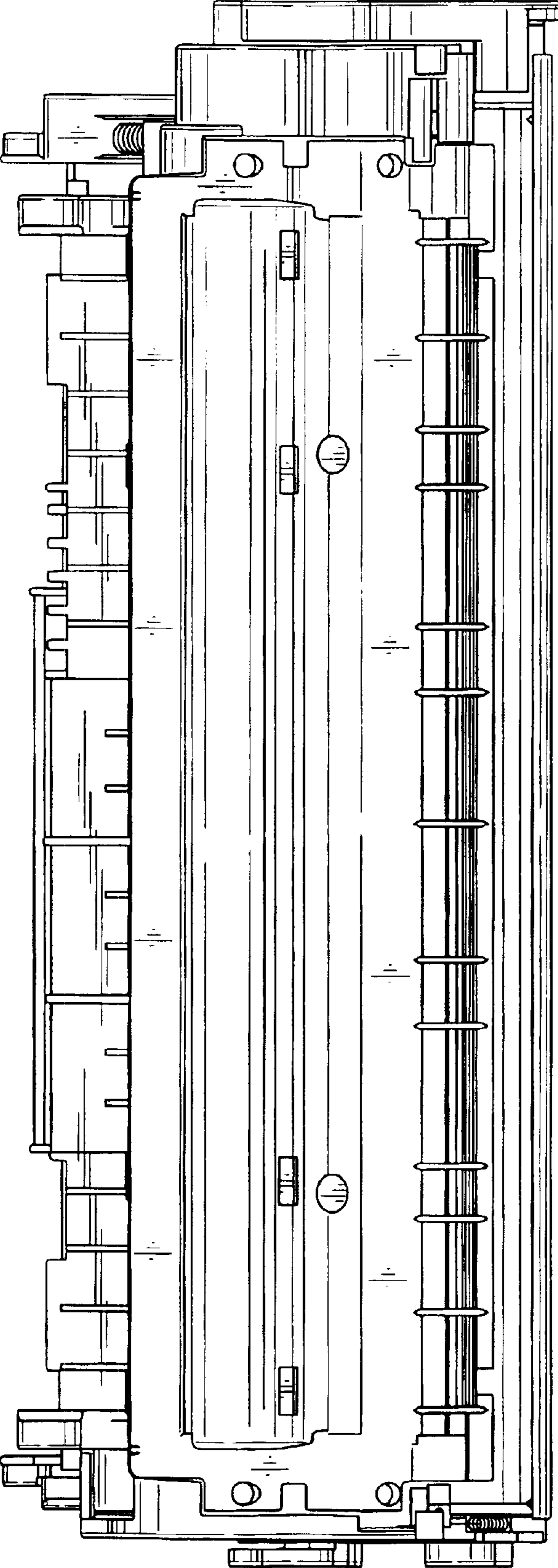


FIG. 5

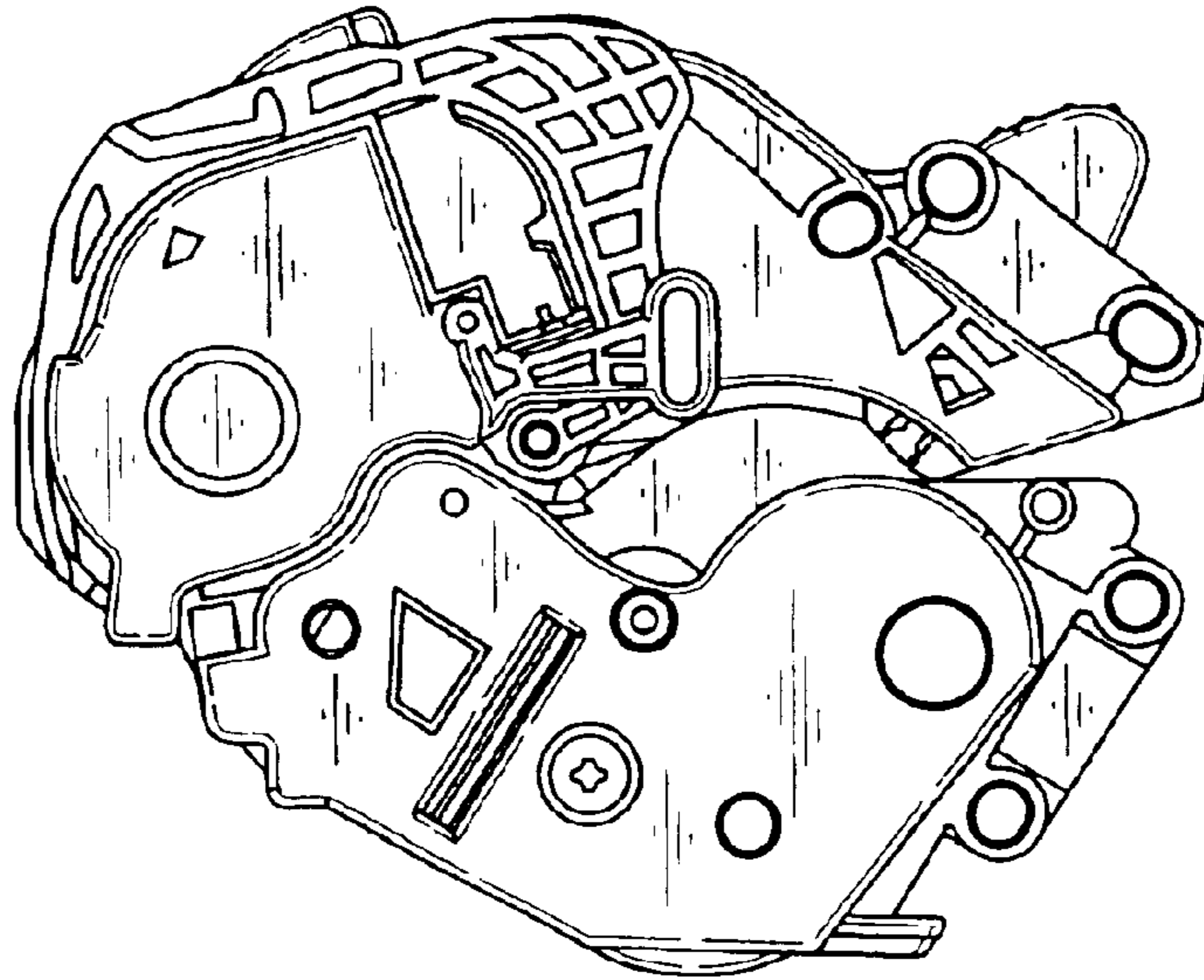
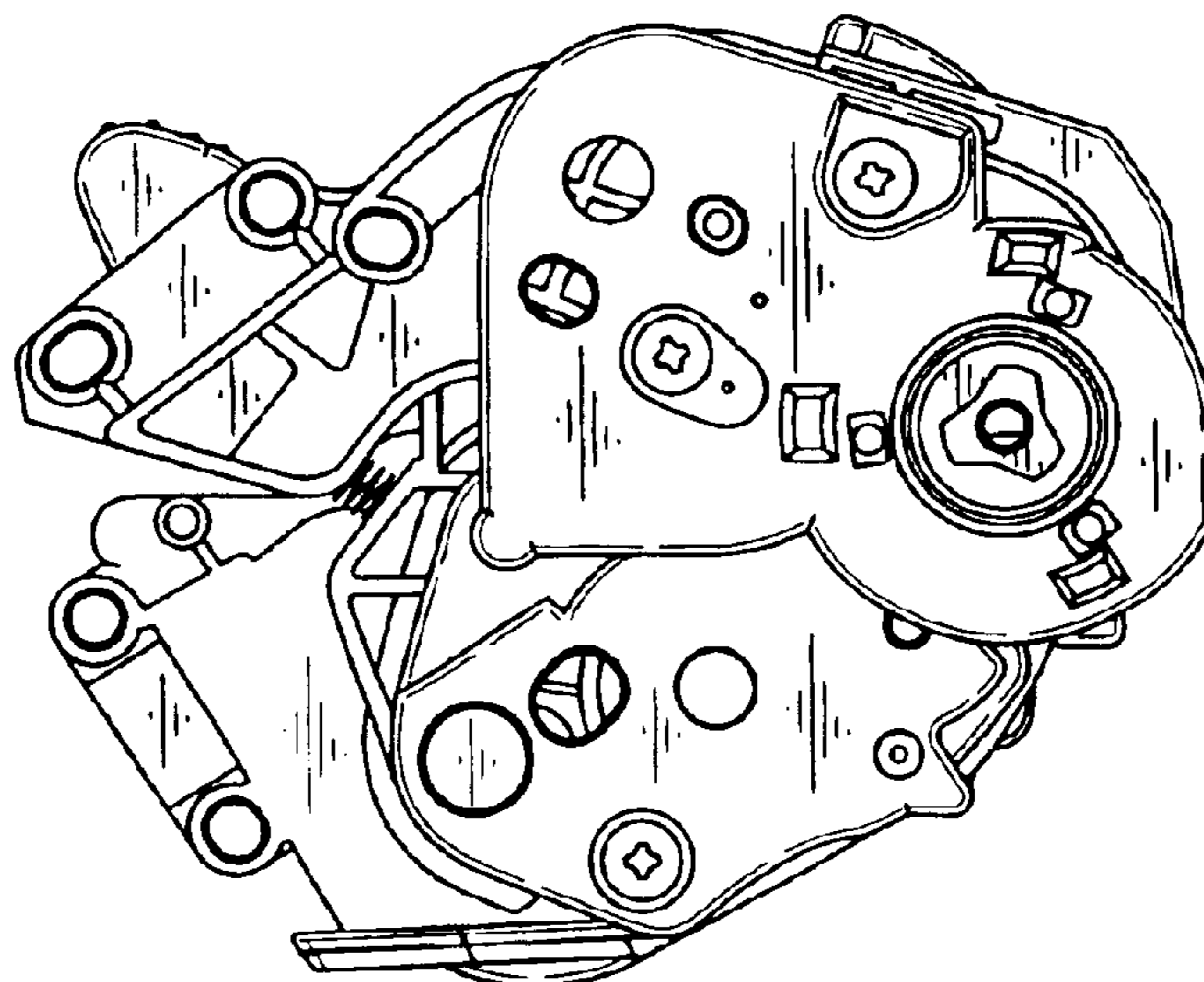


FIG. 6



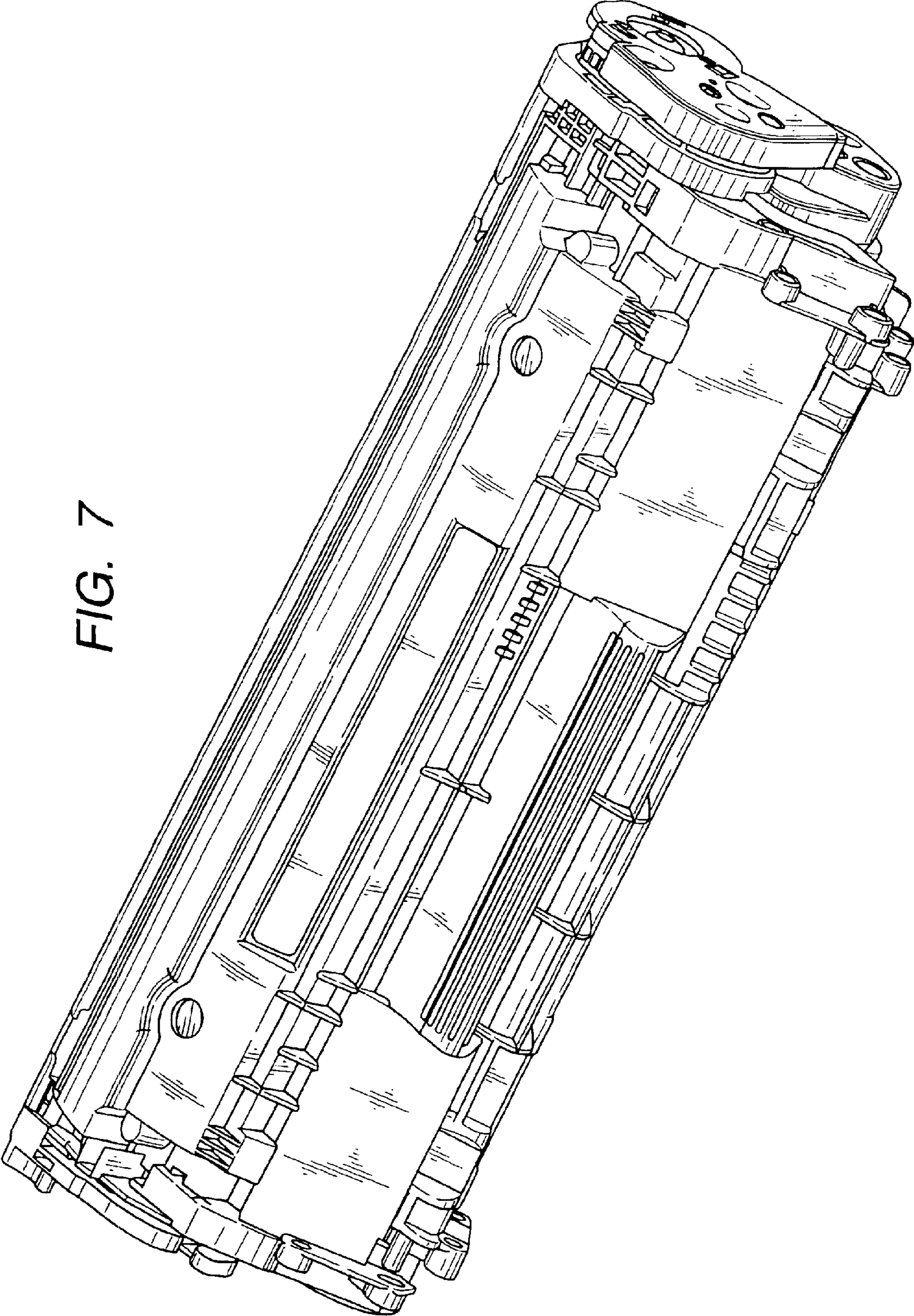


FIG. 7