

US00D508066S

(12) **United States Design Patent**
Ikenaga

(10) **Patent No.:** **US D508,066 S**

(45) **Date of Patent:** **** Aug. 2, 2005**

(54) **VIDEO CAMERA**

(75) **Inventor:** **Takashi Ikenaga, Tokyo (JP)**

(73) **Assignee:** **Sony Corporation, Tokyo (JP)**

(**) **Term:** **14 Years**

(21) **Appl. No.:** **29/205,197**

(22) **Filed:** **May 12, 2004**

(51) **LOC (8) Cl.** **16-01**

(52) **U.S. Cl.** **D16/202**

(58) **Field of Search** **D16/200–206,**
D16/208; 348/373–376; 358/906; 396/535–541

(56) **References Cited**

U.S. PATENT DOCUMENTS

5,499,052 A	*	3/1996	Nakanishi et al.	348/373
D410,662 S		6/1999	Harata		
D412,178 S	*	7/1999	Kobayashi	D16/202
D435,262 S		12/2000	Maeyama		
D450,741 S		11/2001	Oka		
D456,434 S	*	4/2002	Yamazaki	D16/202
D463,467 S	*	9/2002	Sumita	D16/202
D464,070 S	*	10/2002	Miyashita	D16/202
D477,009 S		7/2003	Ikenaga		
D477,343 S	*	7/2003	Miyashita	D16/202

OTHER PUBLICATIONS

Web page “DCR–HC40–W” <http://www.yodobashi.com/enjoy/more/i/18432305.html> 2 sheets, Yodobashi Camera (Mar. 2004).

Web page “DM–FVM10KIT” www.yodobashi.com, 1 sheet, Yodobashi Camera (Mar. 2004).

Web page “FV–M1KIT” www.yodobashi.com, 1 sheet, Yodobashi Camera (Mar. 2004).

Web page “GR–D90K” www.yodobashi.com, 1 sheet, Yodobashi Camera (Mar. 2004).

Web page “GR–D33–H” www.yodobashi.com, 1 sheet, Yodobashi Camera (Mar. 2004).

* cited by examiner

Primary Examiner—Adir Aronovich

(74) *Attorney, Agent, or Firm*—Rader, Fishman & Grauer PLLC

(57) **CLAIM**

The ornamental design for a video camera, as shown.

DESCRIPTION

FIG. 1 is a perspective view of a video camera showing my new design;

FIG. 2 is a front elevational view thereof;

FIG. 3 is a rear elevational view thereof;

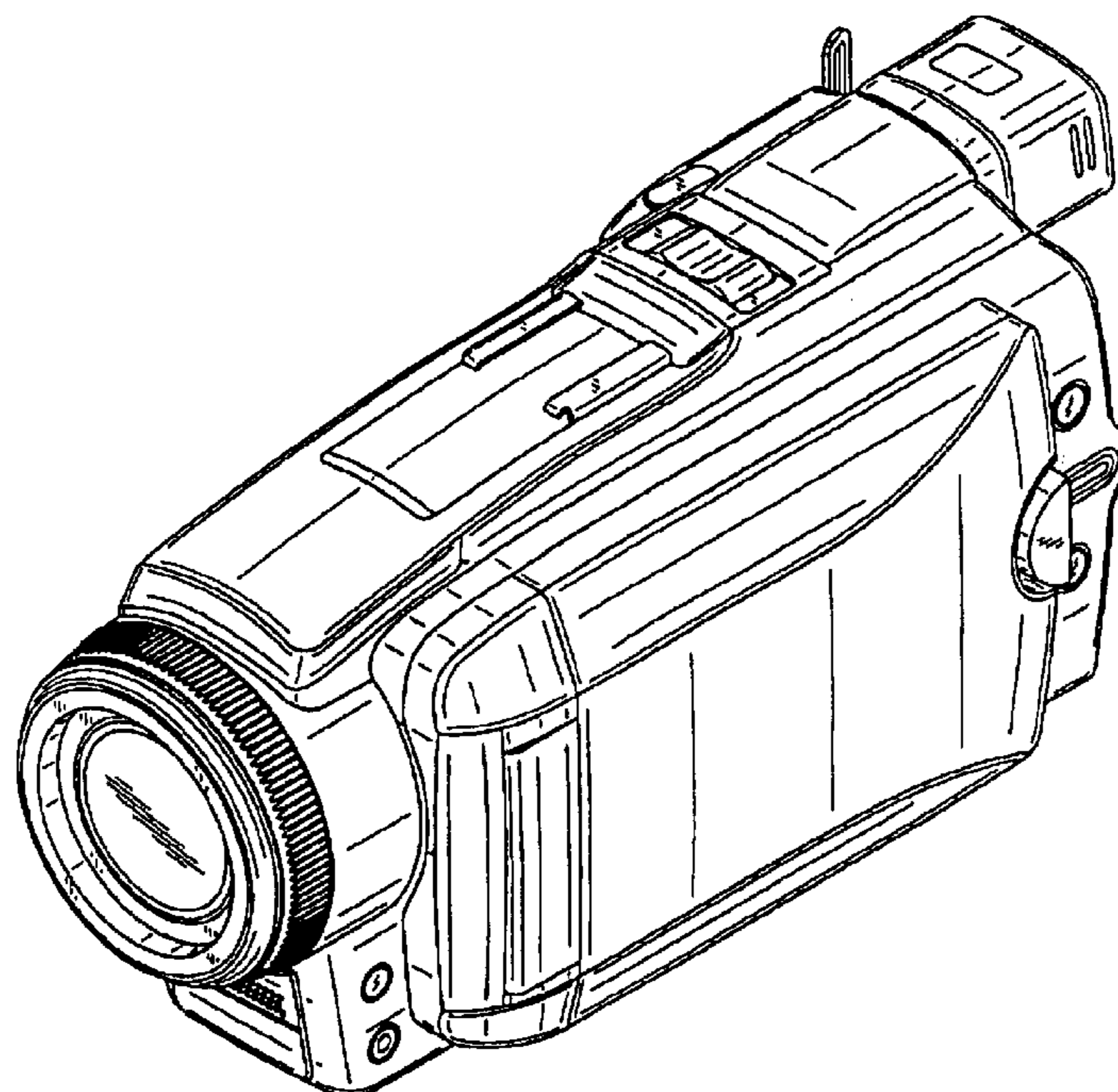
FIG. 4 is a left side elevational view thereof;

FIG. 5 is a right side elevational view thereof;

FIG. 6 is a top plan view thereof; and,

FIG. 7 is a bottom plan view thereof.

1 Claim, 4 Drawing Sheets



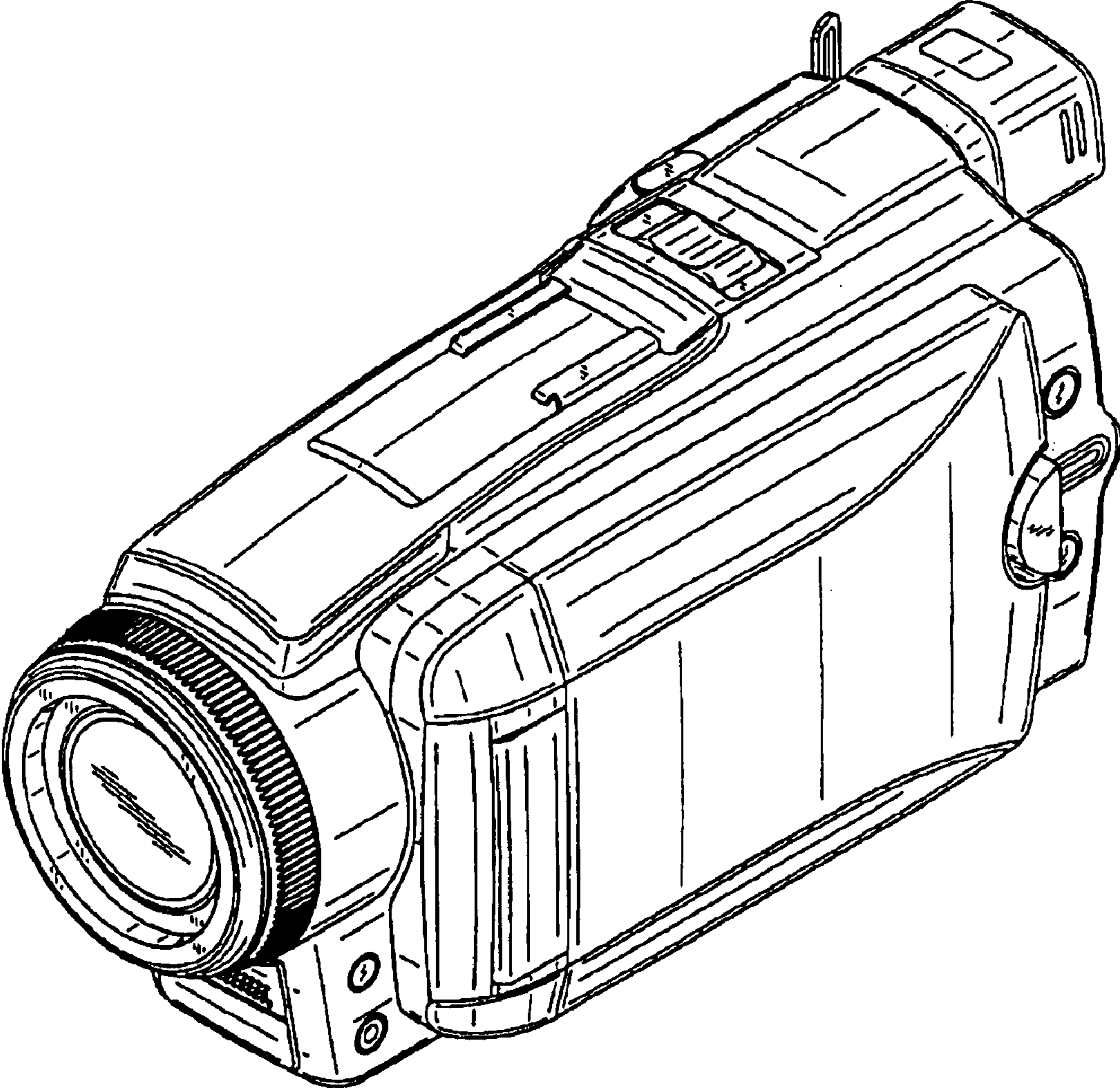


FIG. 1

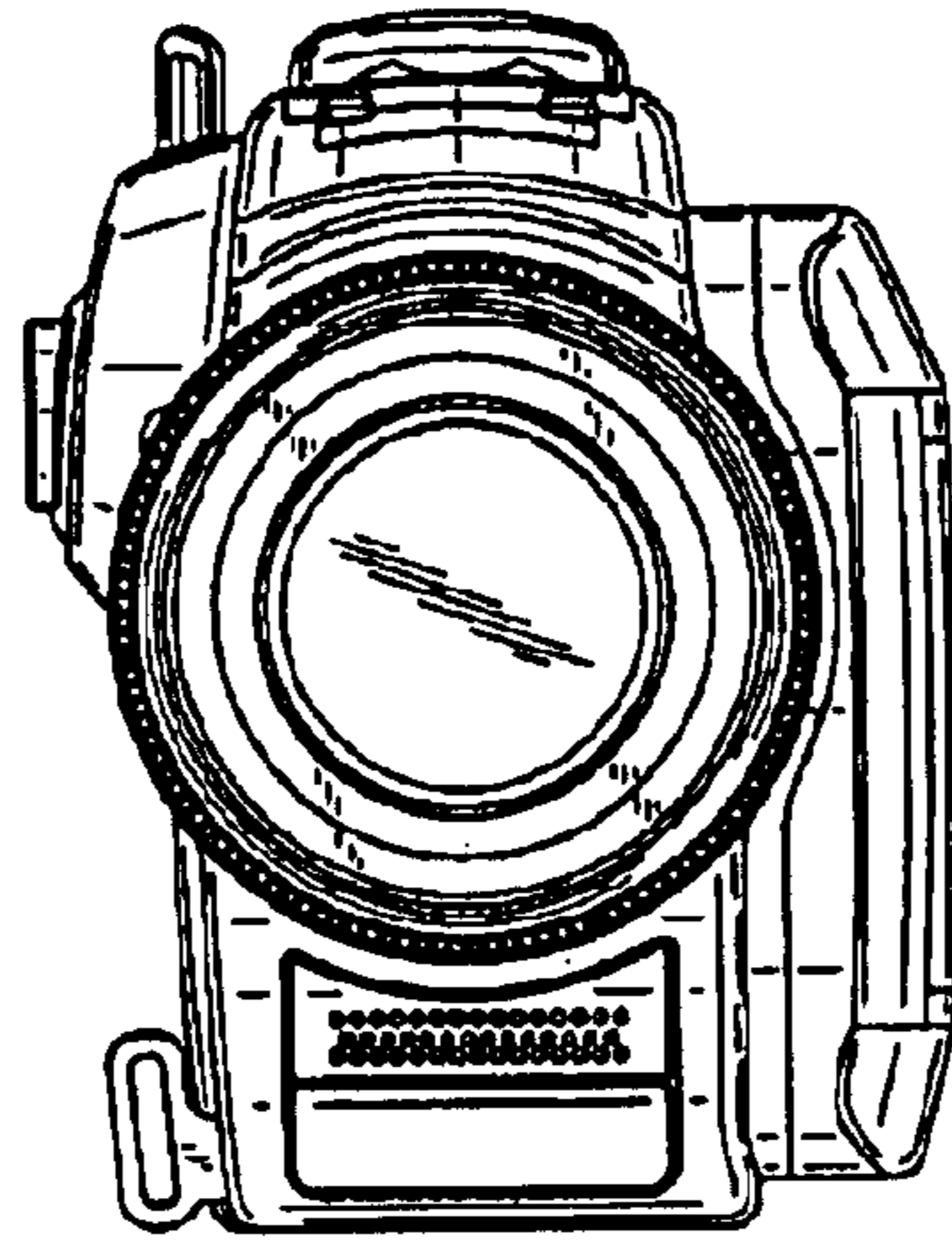


FIG. 2

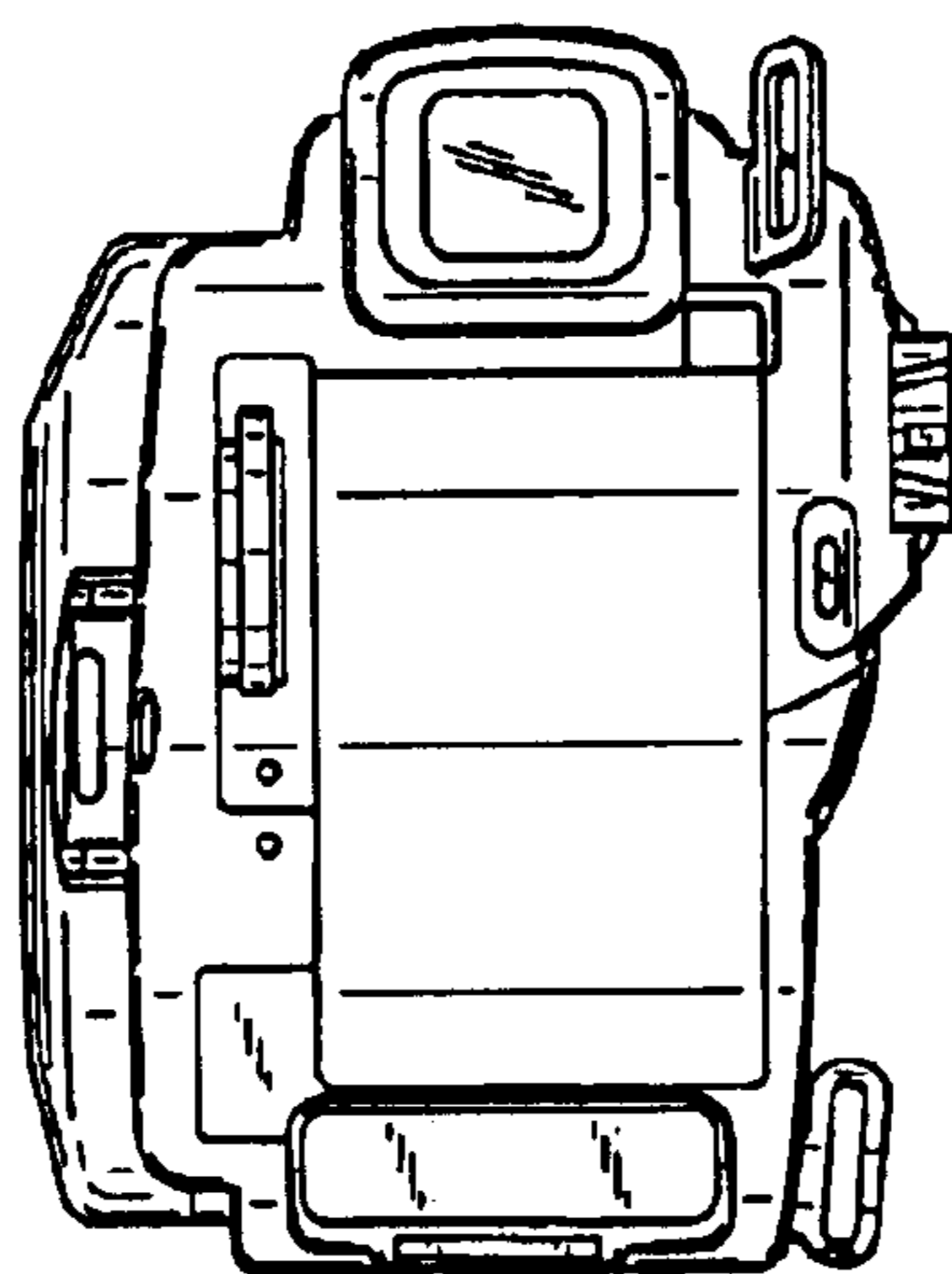


FIG. 3

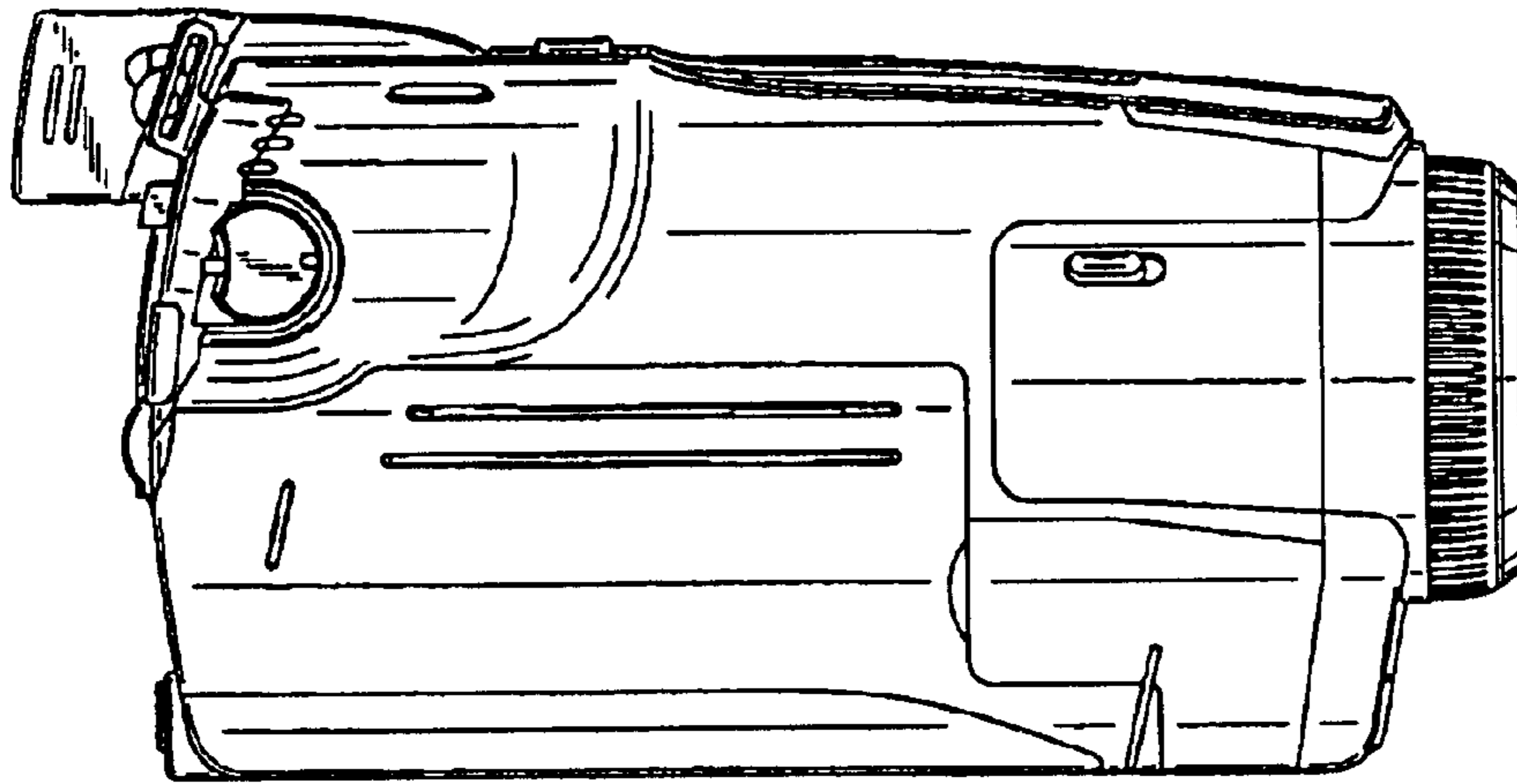


FIG. 4

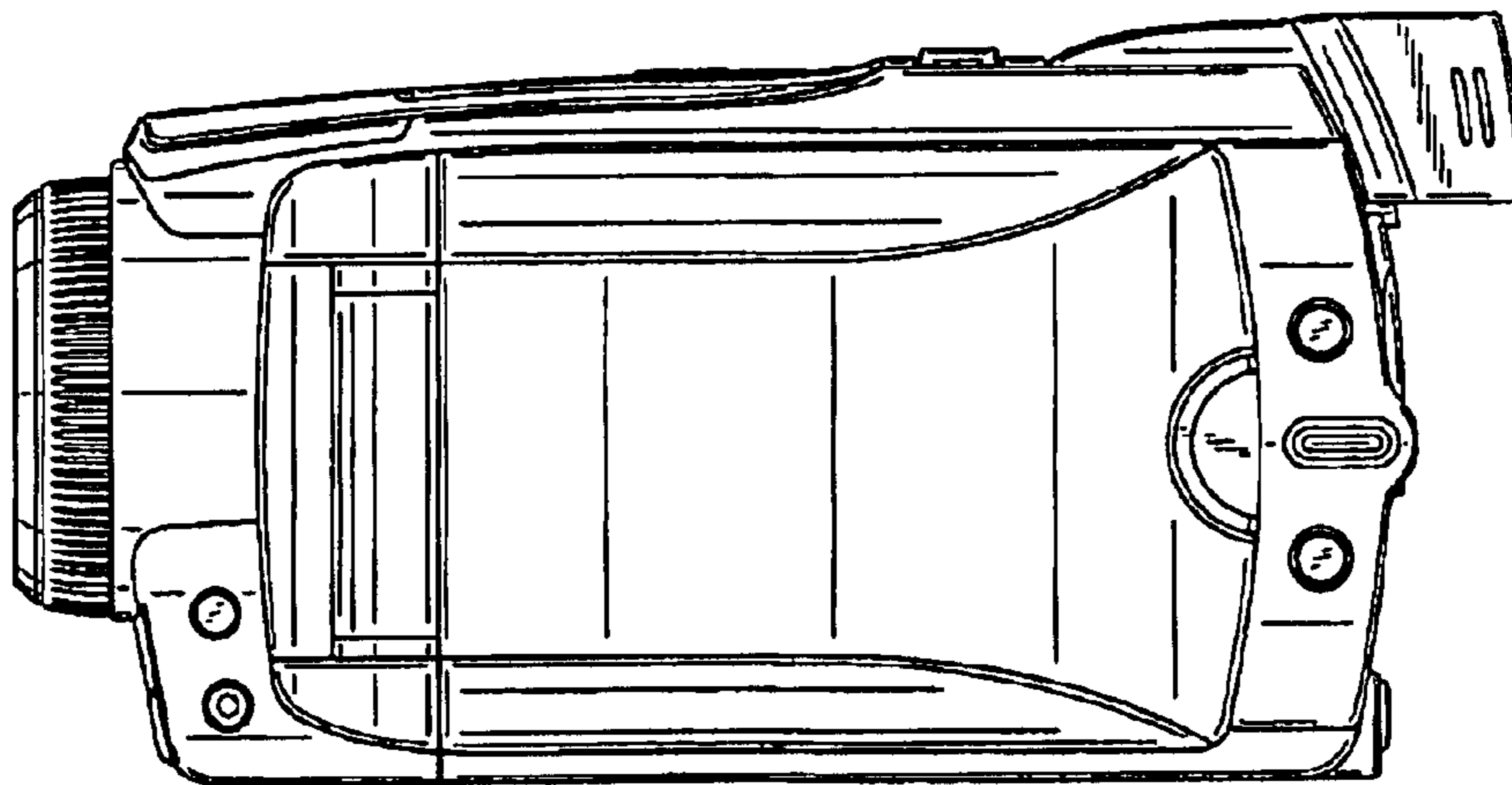


FIG. 5

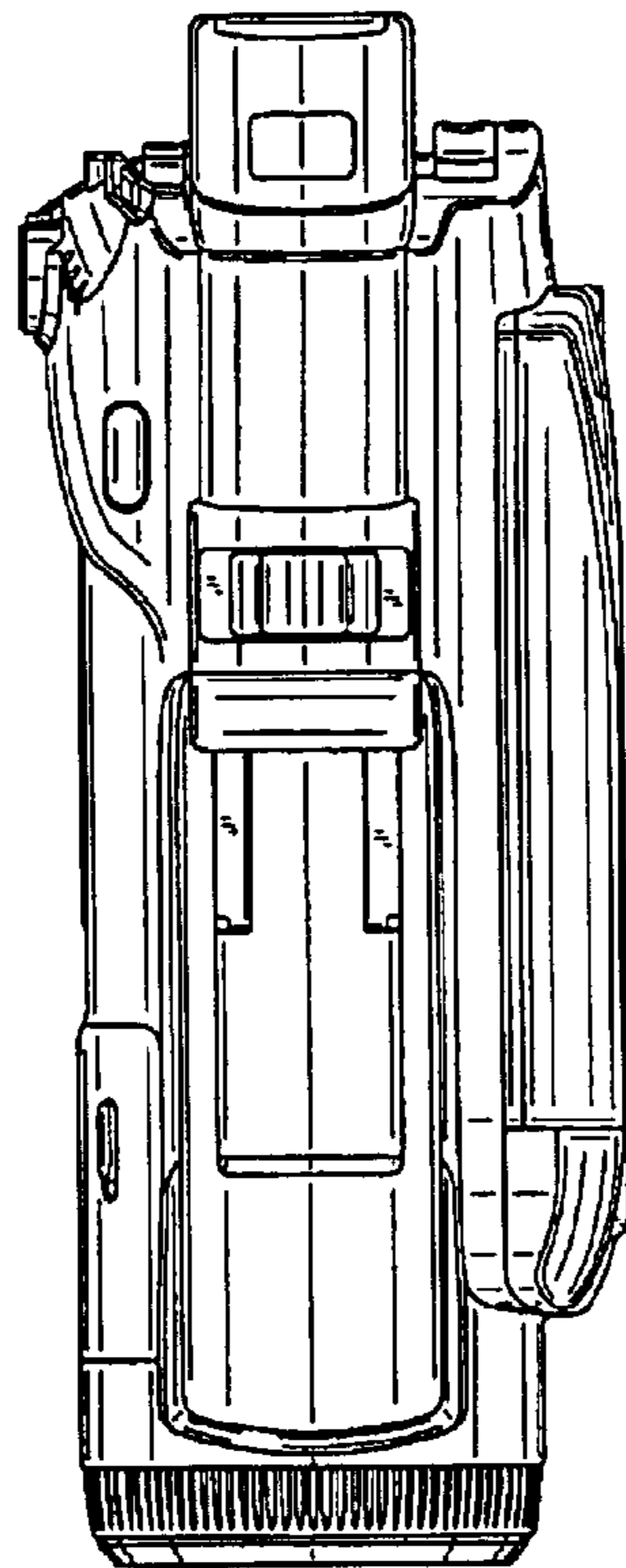


FIG. 6

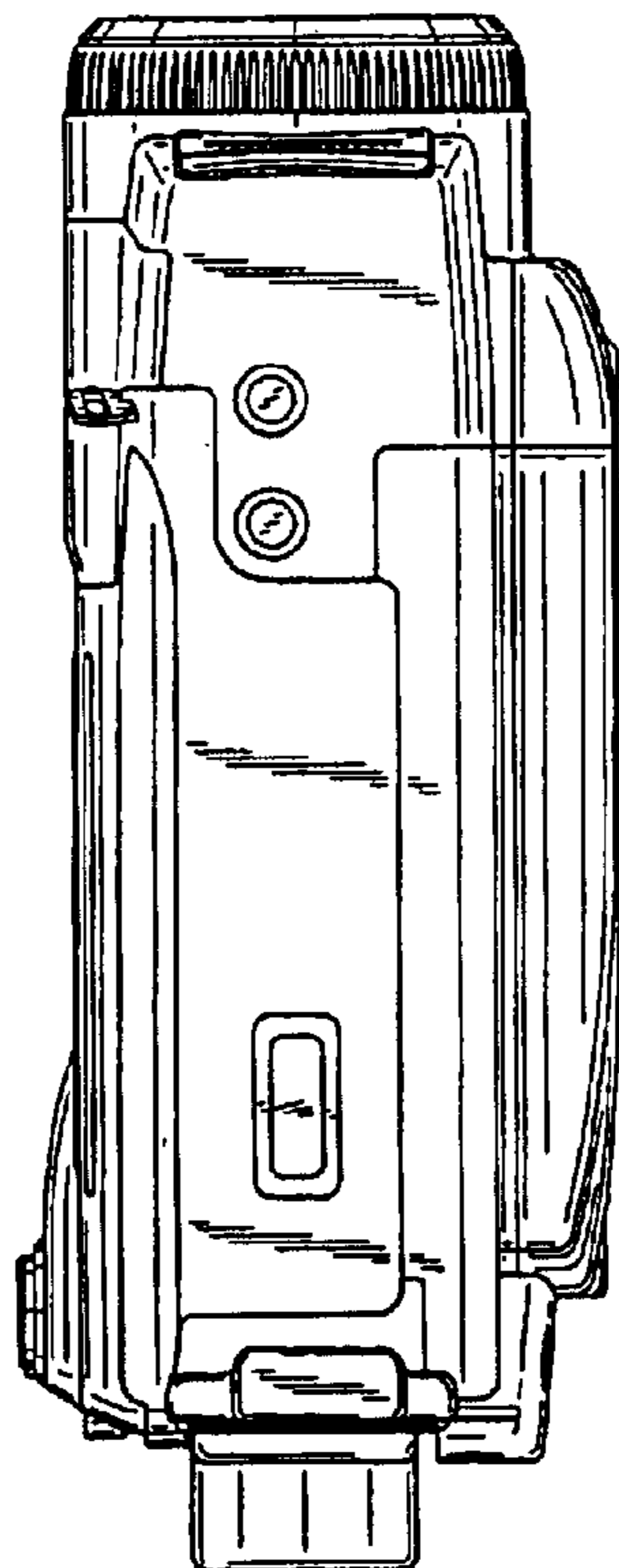


FIG. 7