



US00D508063S

(12) **United States Design Patent**  
**Yip et al.**

(10) **Patent No.:** **US D508,063 S**

(45) **Date of Patent:** **\*\* Aug. 2, 2005**

(54) **MAGNIFIER**

(75) **Inventors:** **Gin Fai Yip**, North Point (HK); **Bryan Yip**, Kowloon (HK)

(73) **Assignee:** **Leading Extreme Optimist Industries, Ltd.**, Chai Wan (HK)

(\*\*) **Term:** **14 Years**

(21) **Appl. No.:** **29/195,733**

(22) **Filed:** **Dec. 16, 2003**

(51) **LOC (8) Cl.** ..... **16-06**

(52) **U.S. Cl.** ..... **D16/135**

(58) **Field of Search** ..... D16/130, 135;  
359/507, 509, 512, 803, 810; D8/71; 248/126,  
274.1; 403/56; 160/357; D26/51

(56) **References Cited**

**U.S. PATENT DOCUMENTS**

- 1,224,431 A \* 5/1917 Van Vorst ..... 248/274.1
- 3,510,204 A \* 5/1970 Jack ..... 359/810
- D264,598 S \* 5/1982 Matthews et al. .... D16/135
- D277,320 S \* 1/1985 Selden ..... D26/51

- 4,648,733 A \* 3/1987 Merkt ..... 403/56
- 5,033,528 A \* 7/1991 Volcani ..... 160/351
- 5,604,633 A \* 2/1997 Christianson ..... 359/507
- 6,476,984 B1 \* 11/2002 Ringdahl ..... 359/803

\* cited by examiner

*Primary Examiner*—Paula A. Greene

(74) *Attorney, Agent, or Firm*—Carmody & Torrance LLP

(57) **CLAIM**

The ornamental design for a magnifier, as shown and described.

**DESCRIPTION**

FIG. 1 is a perspective view of a magnifier showing our new design;

FIG. 2 is a top plan view thereof;

FIG. 3 is a right side elevational view thereof;

FIG. 4 is a left side elevational view thereof;

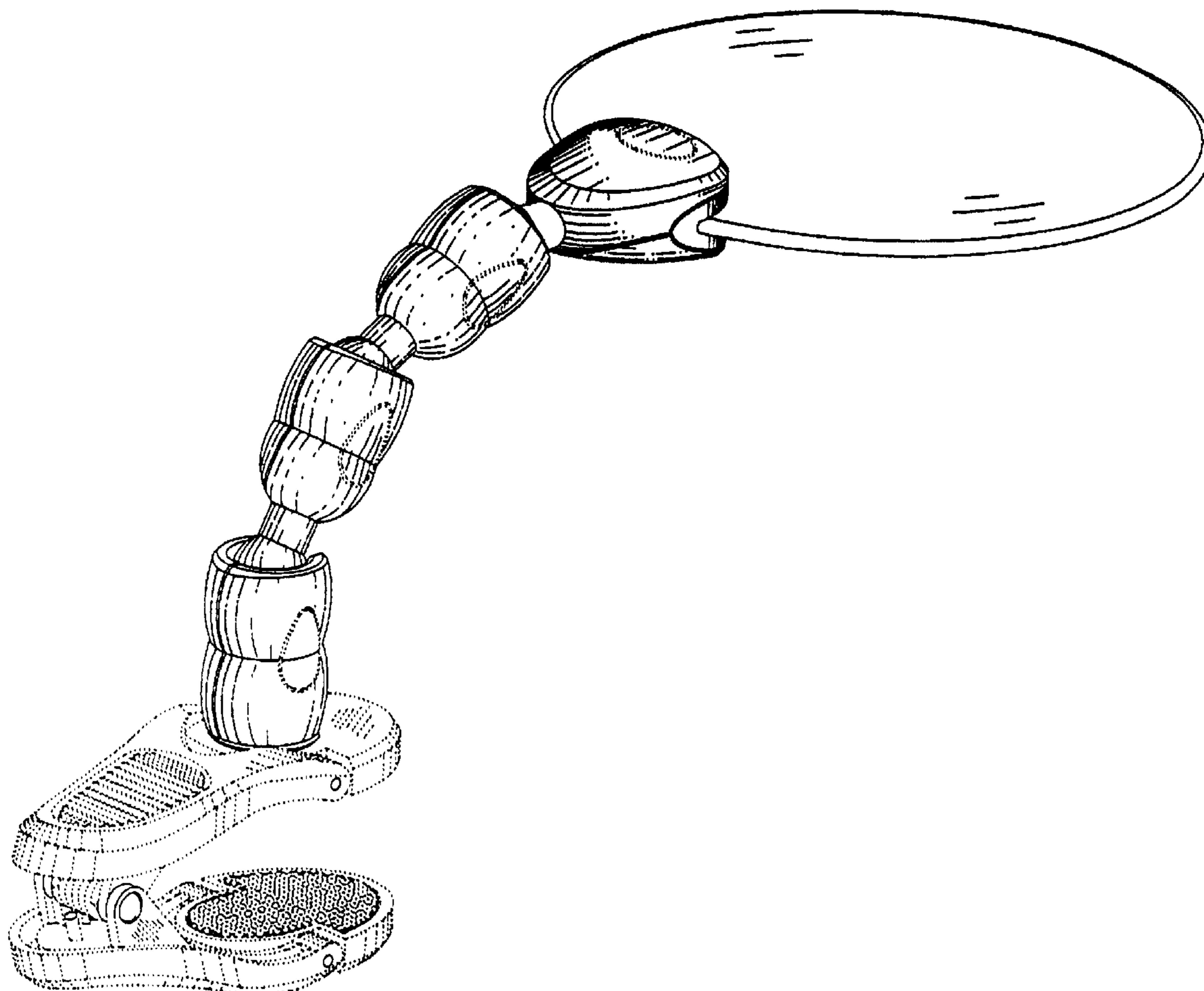
FIG. 5 is a first end elevational view thereof;

FIG. 6 is a second end elevational view thereof; and,

FIG. 7 is a bottom plan view thereof.

The dotted showings are environmental only and form no part of the claimed design.

**1 Claim, 6 Drawing Sheets**



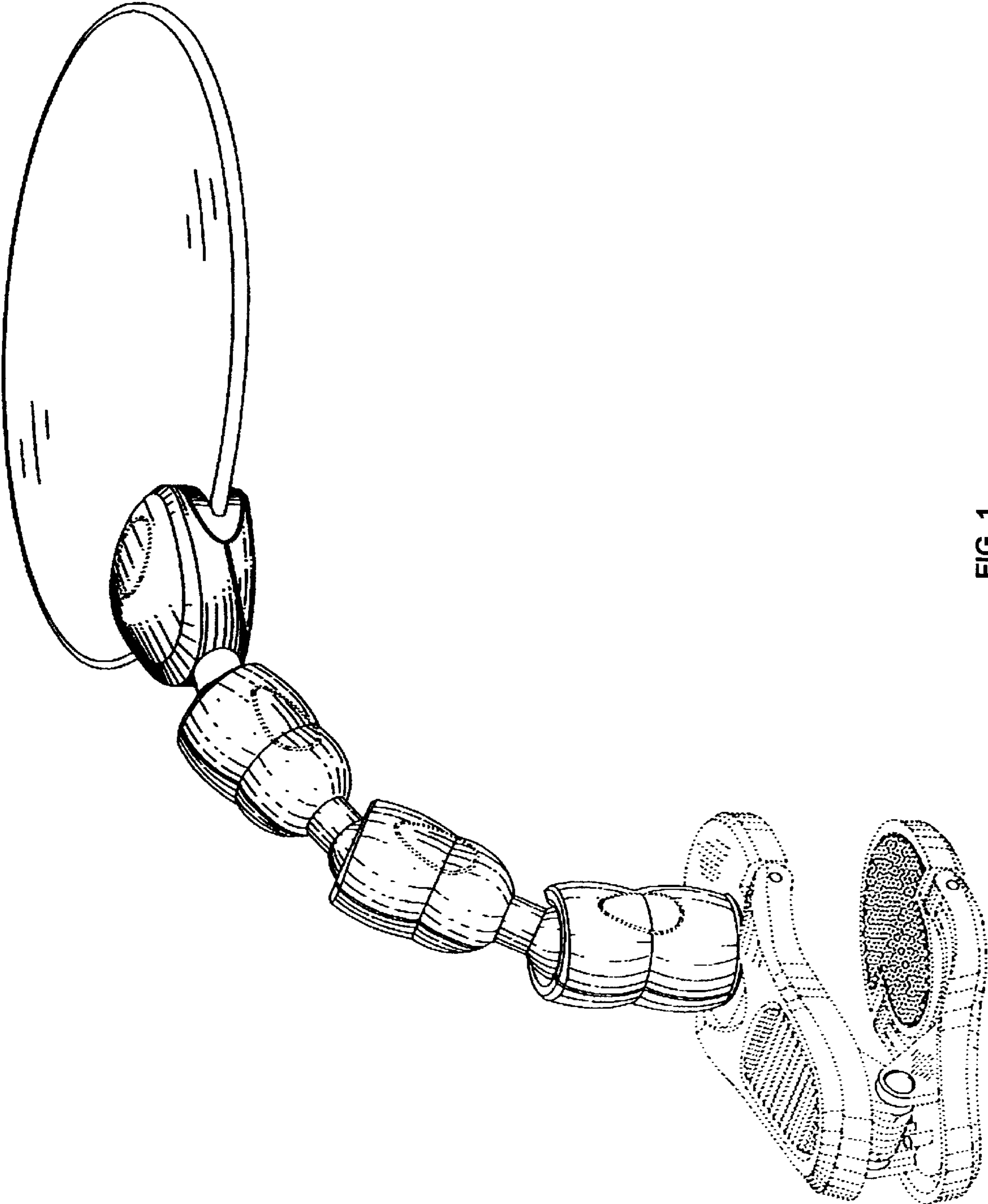


FIG. 1

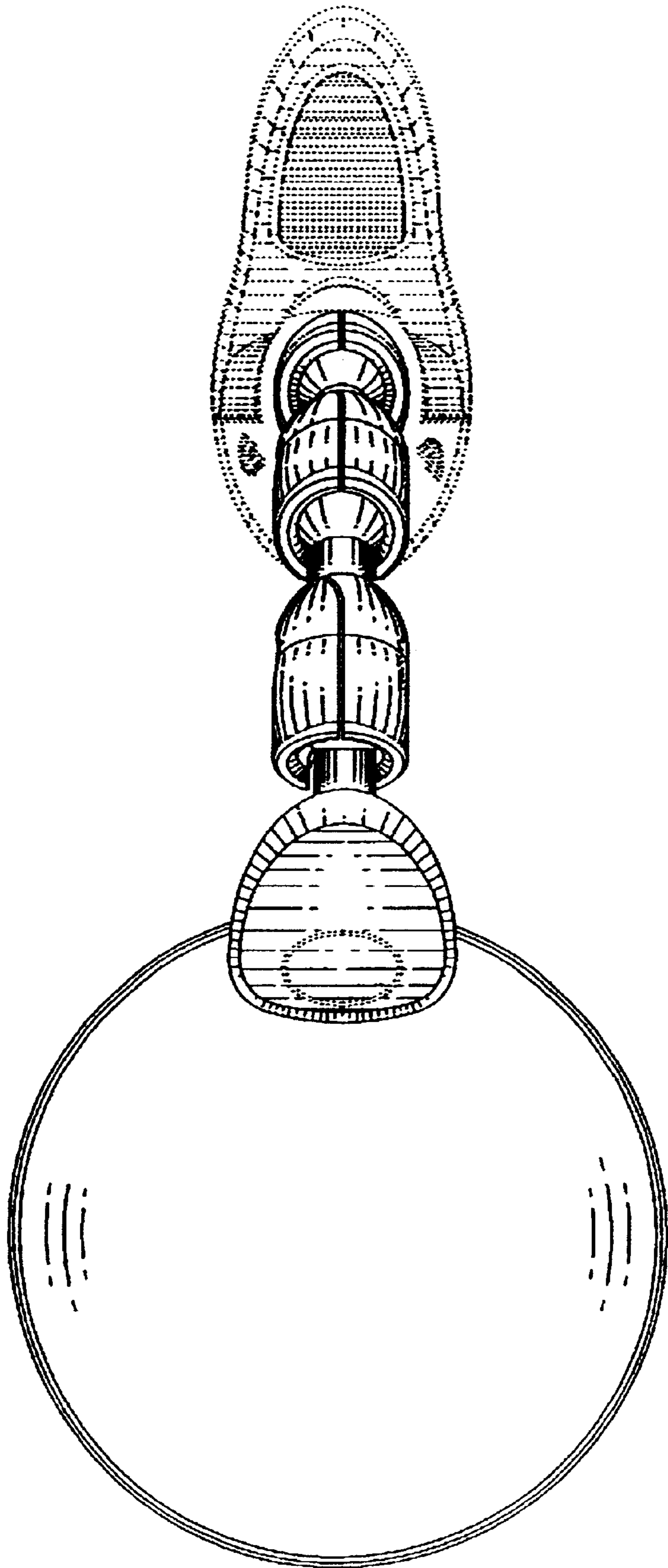


FIG. 2

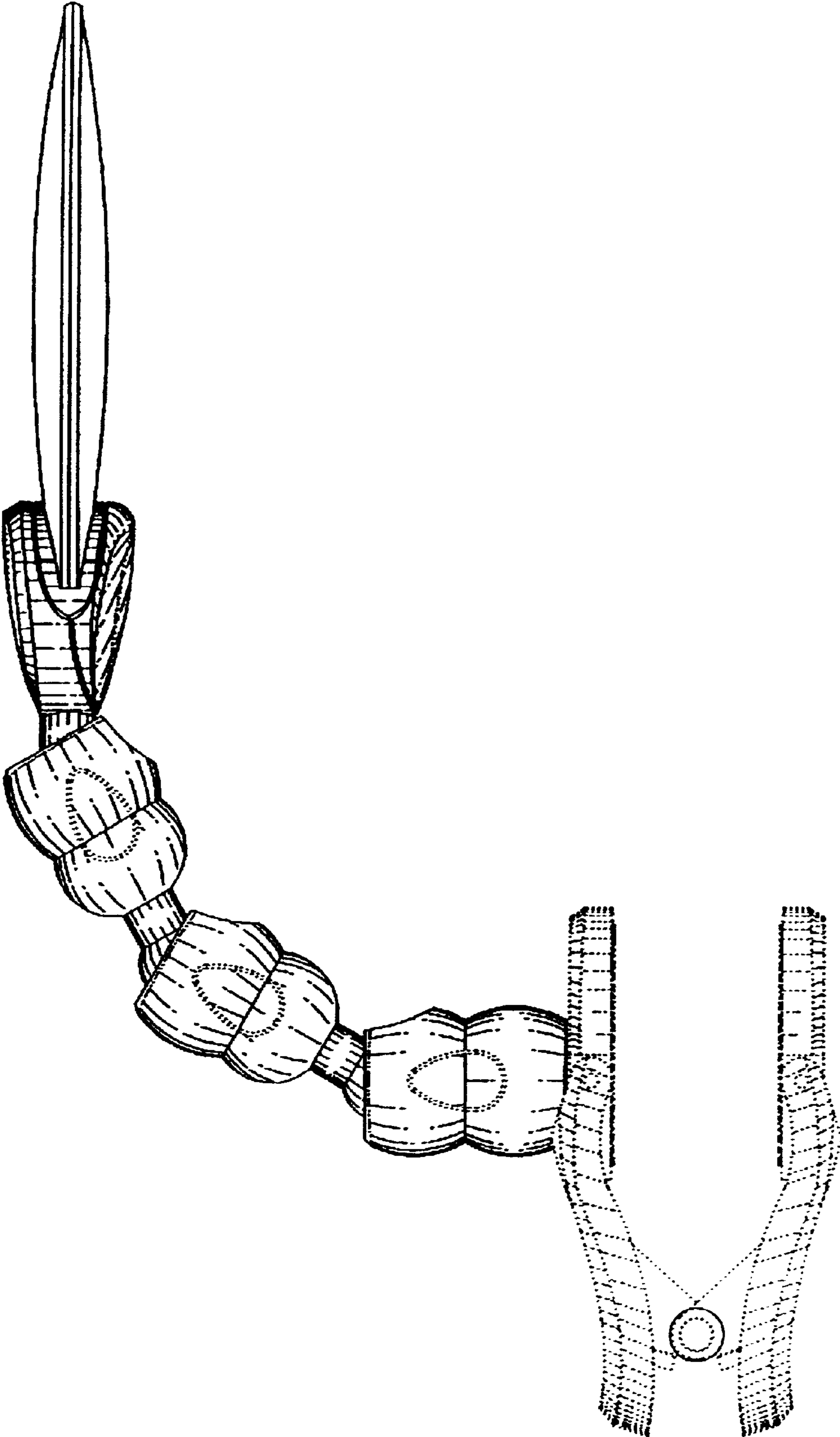


FIG. 3

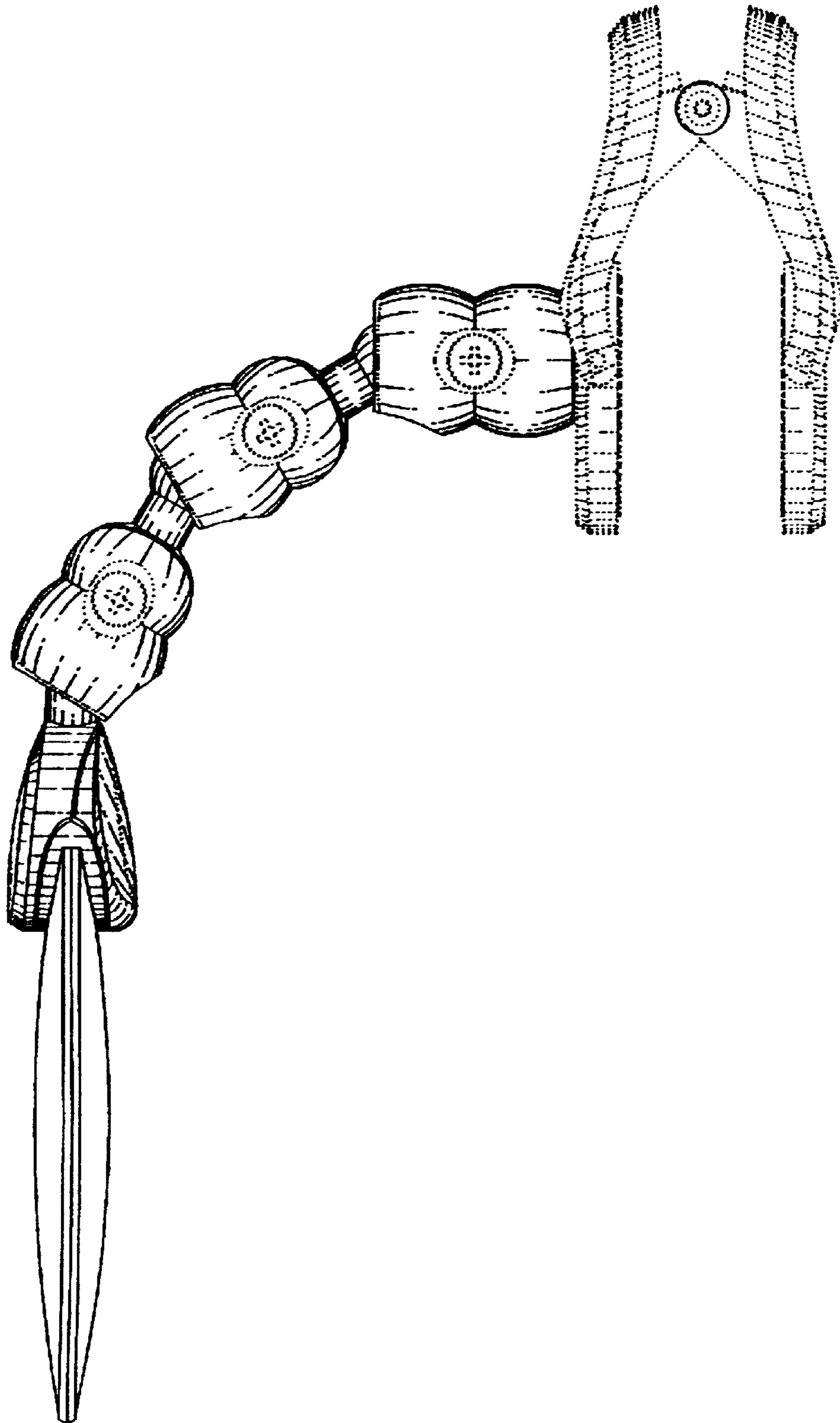


FIG. 4

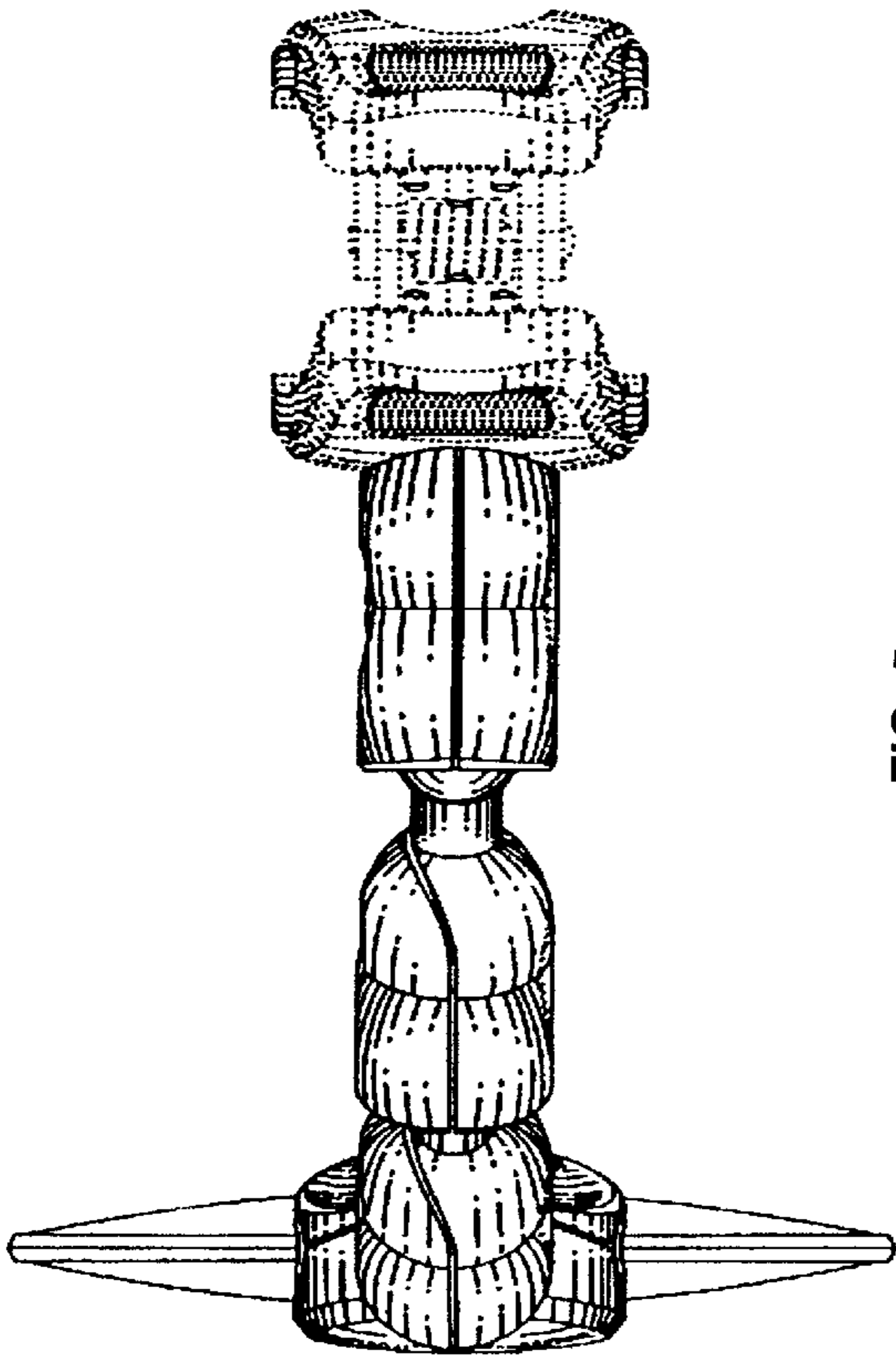


FIG. 5

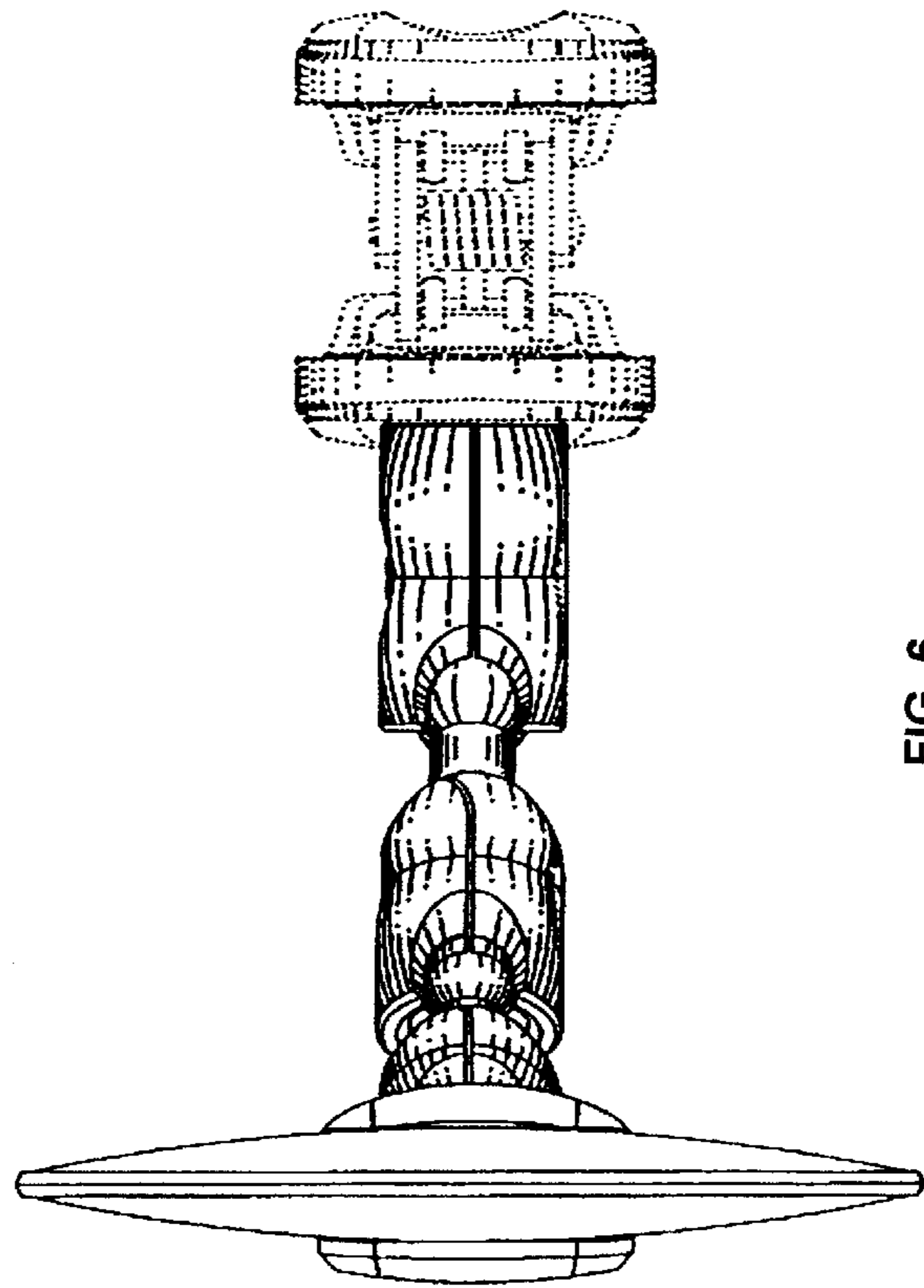


FIG. 6

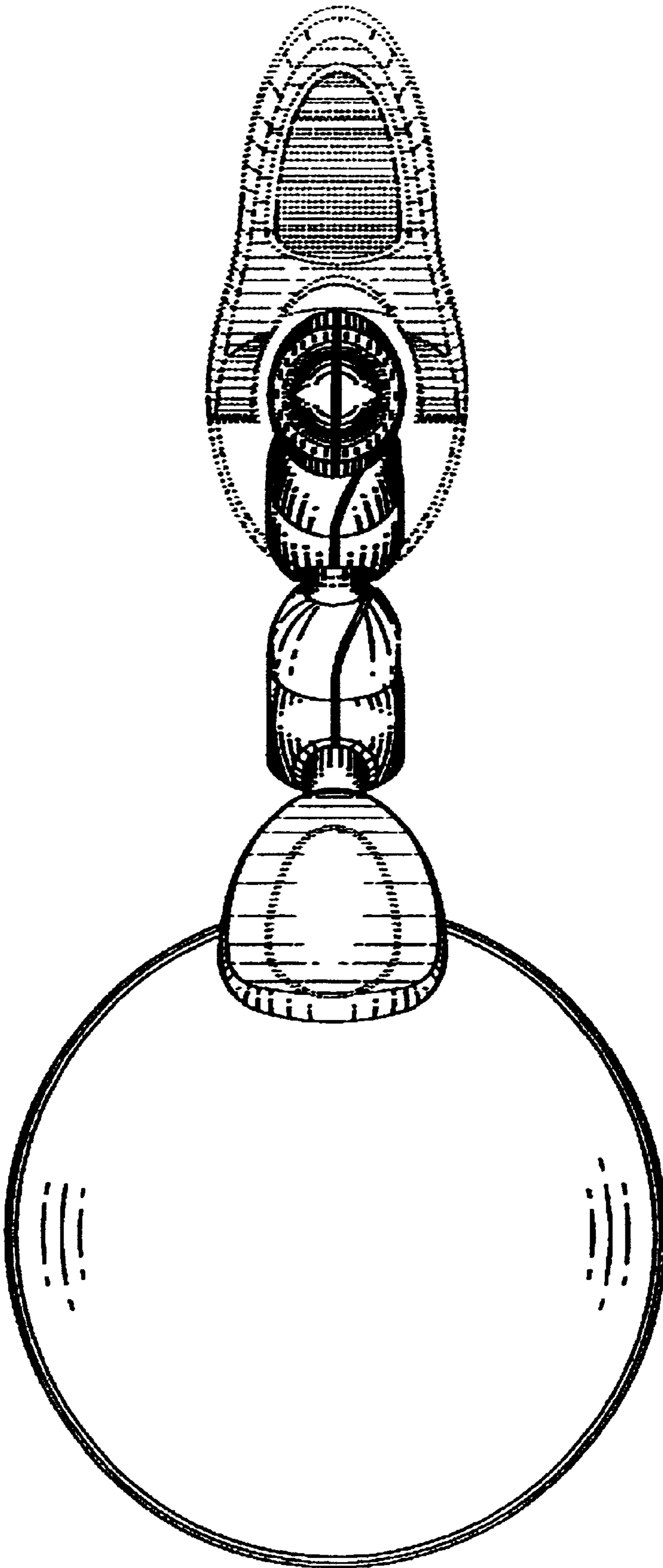


FIG. 7