

US00D508062S

(12) **United States Design Patent**
Rashidi

(10) **Patent No.:** **US D508,062 S**

(45) **Date of Patent:** **** Aug. 2, 2005**

(54) **ENCLOSED SEMI-FROSTED PINPOINT
DROP OPAL LENS TRIM**

(76) **Inventor:** **Hamid Rashidi**, 139 N. Clark Dr.,
Beverly Hills, CA (US) 90211

(**) **Term:** **14 Years**

(21) **Appl. No.:** **29/208,287**

(22) **Filed:** **Jun. 24, 2004**

(51) **LOC (8) Cl.** **16-06**

(52) **U.S. Cl.** **D16/134**

(58) **Field of Search** D16/101, 133,
D16/134, 227; 359/806, 811, 813, 819,
820, 823, 827, 829, 830, 227, 368; 396/65,
89; 362/505, 529, 364; D10/49, 50, 113;
285/332; 434/303; 235/708; 248/165; D26/36,
74, 88, 118

(56) **References Cited**

U.S. PATENT DOCUMENTS

D136,848 S	*	12/1943	Dreyfuss	D10/49
3,112,570 A	*	12/1963	De Vasconcellos	434/303
D291,895 S	*	9/1987	Steiner	D16/134
4,738,512 A	*	4/1988	Faatz et al.	359/811
5,054,886 A	*	10/1991	Ozaki et al.	359/823
5,218,484 A	*	6/1993	Terai	359/823

5,249,082 A	*	9/1993	Newman	359/813
5,262,899 A	*	11/1993	Iizuka	359/811
5,373,431 A	*	12/1994	Hayman et al.	362/364
5,461,444 A	*	10/1995	Okura et al.	396/529
D380,852 S	*	7/1997	Lecluze	D26/118
D400,274 S	*	10/1998	Ziaylek et al.	D26/36

* cited by examiner

Primary Examiner—Paula A. Greene

(74) *Attorney, Agent, or Firm*—Thomas I. Rozsa; Tony D. Chen

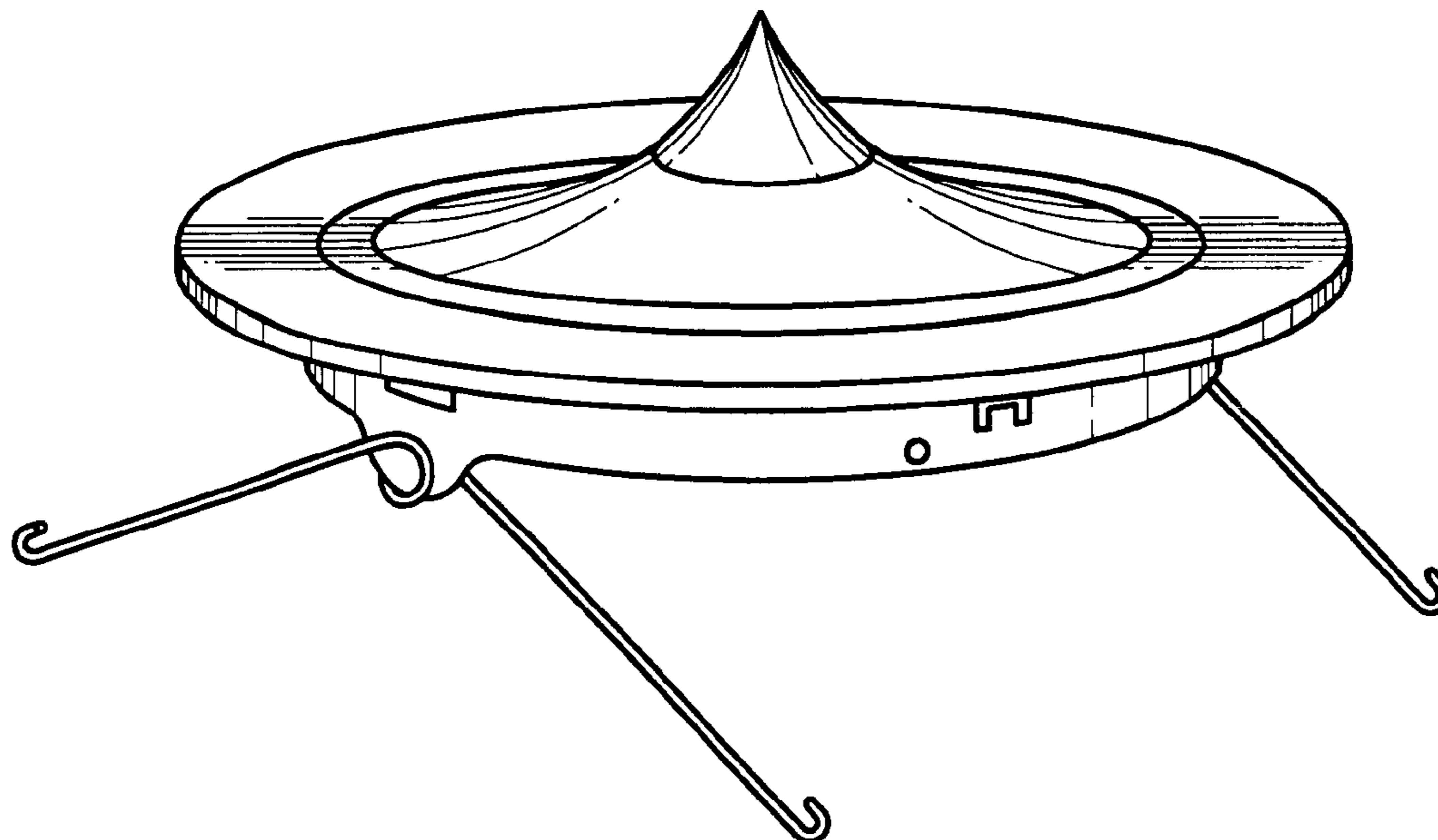
(57) **CLAIM**

The Ornamental design for an enclosed semi-frosted pinpoint drop opal lens trim, as shown and described.

DESCRIPTION

FIG. 1 is a perspective view of the enclosed semi-frosted pinpoint drop opal lens trim, showing my design;
 FIG. 2 is a top plan view;
 FIG. 3 is a bottom plan view;
 FIG. 4 is a front elevational view;
 FIG. 5 is a rear elevational view;
 FIG. 6 is a side elevational view when viewed from the right side; and,
 FIG. 7 is a side elevational view when viewed from the left side.

1 Claim, 2 Drawing Sheets



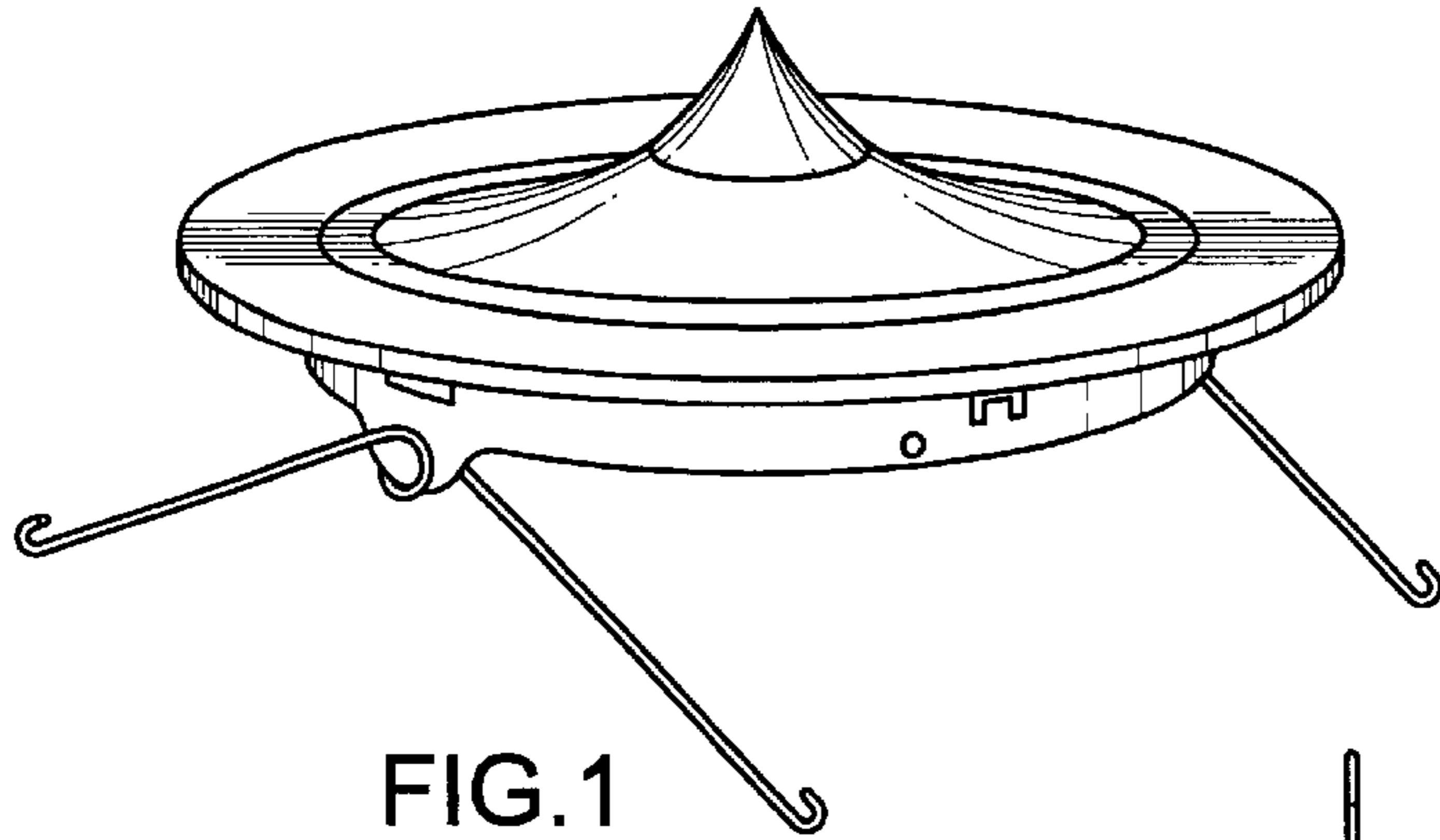


FIG. 1

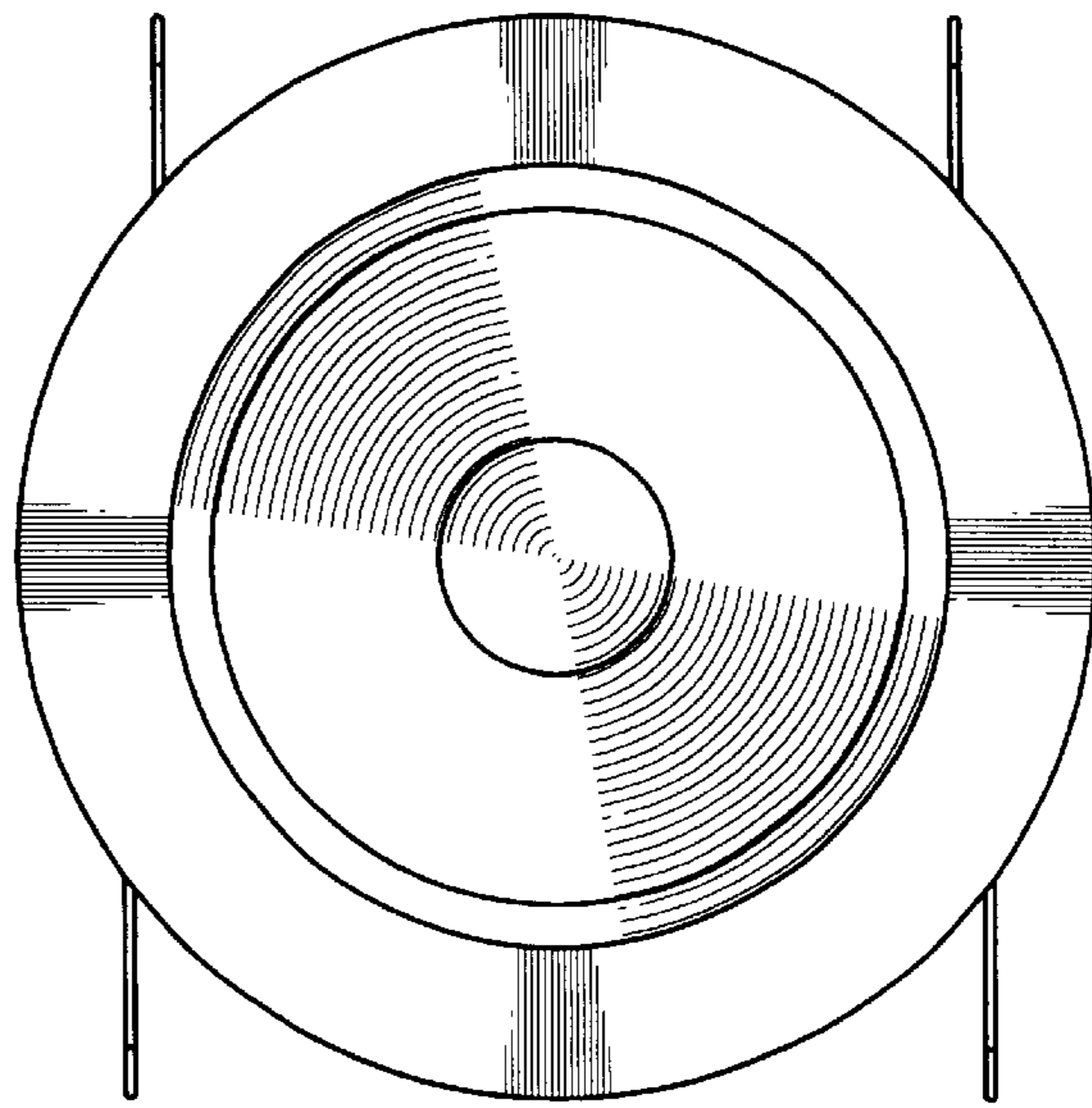


FIG. 2

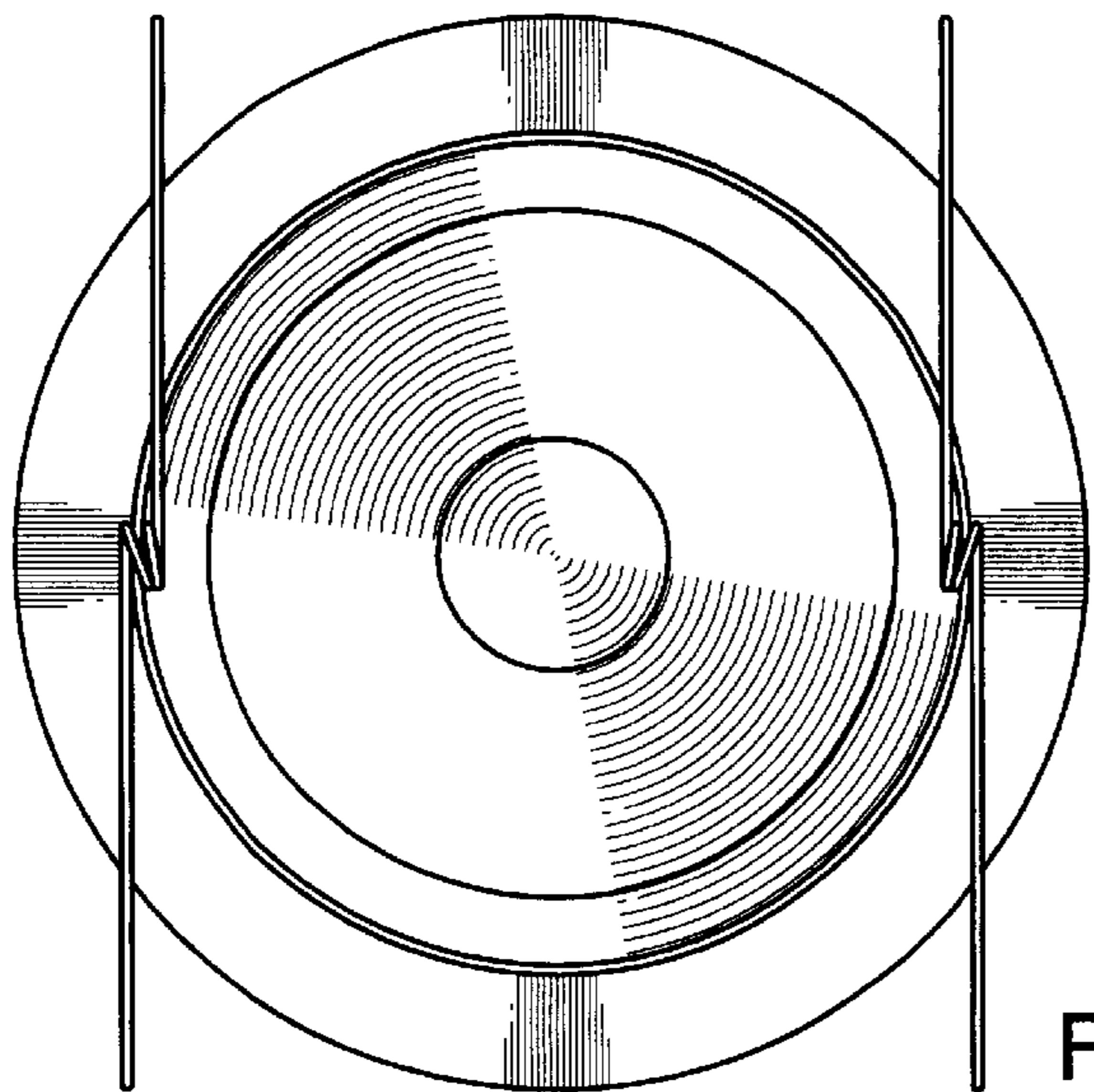


FIG. 3

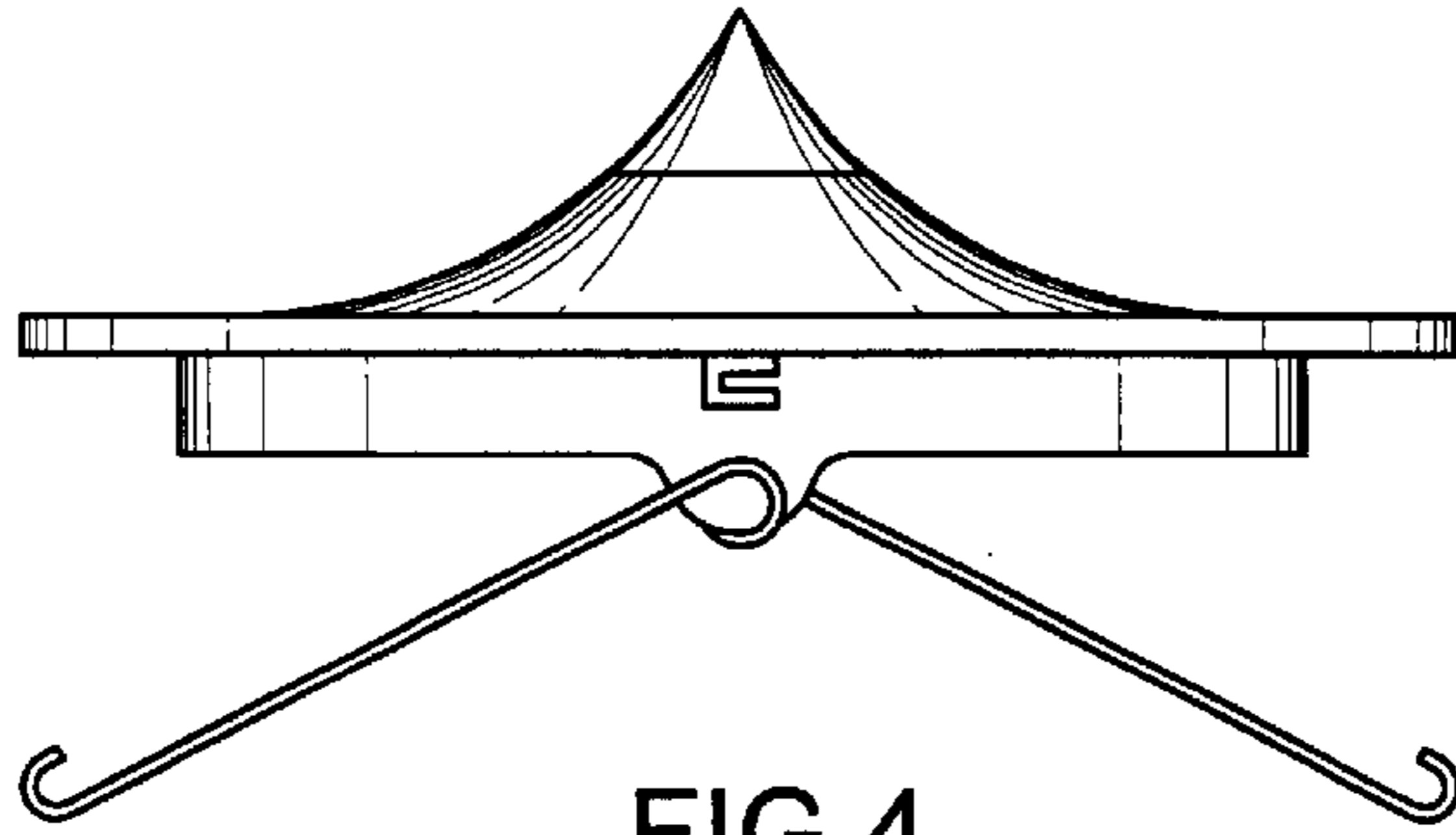


FIG. 4

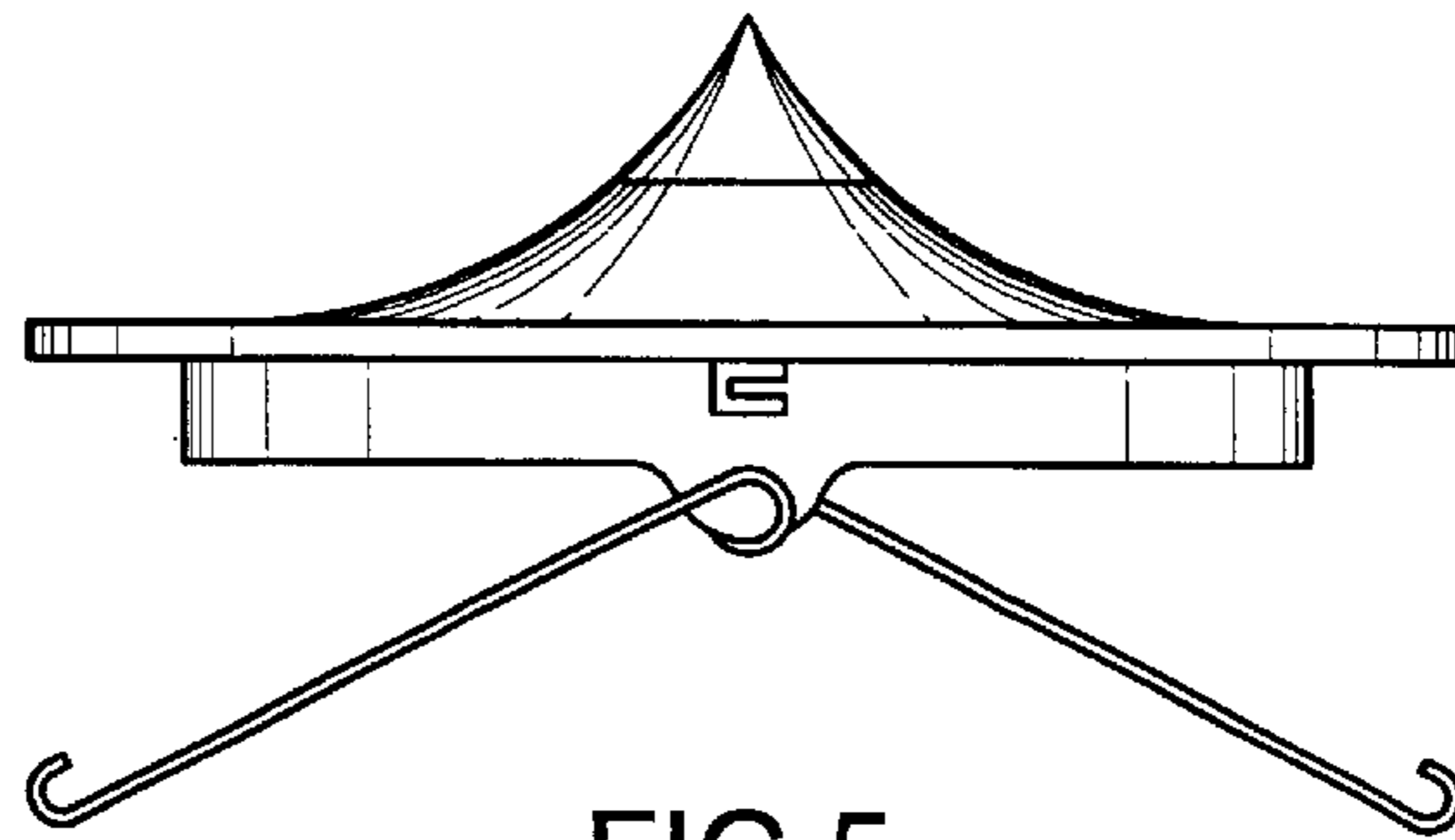


FIG. 5

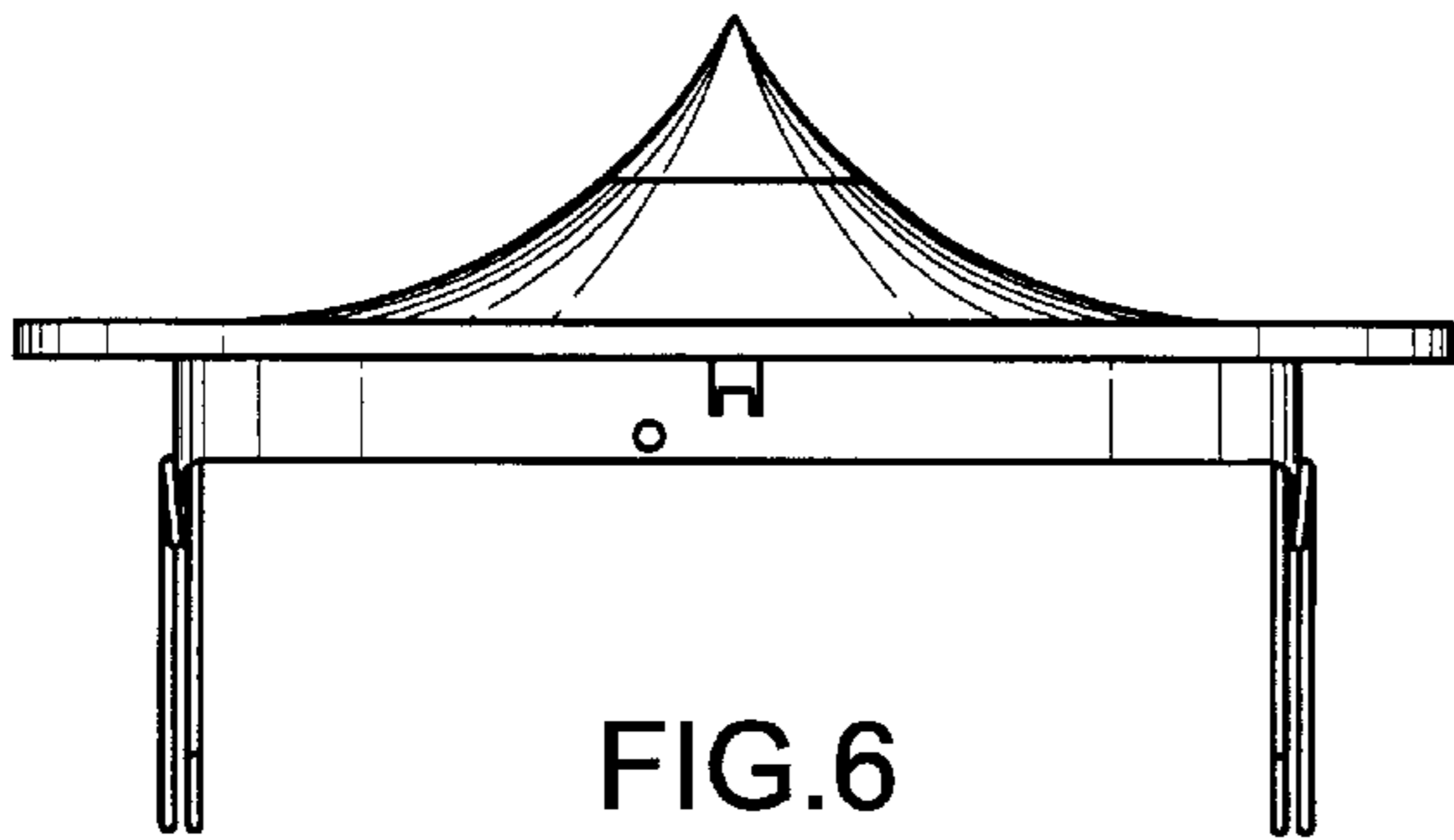


FIG. 6

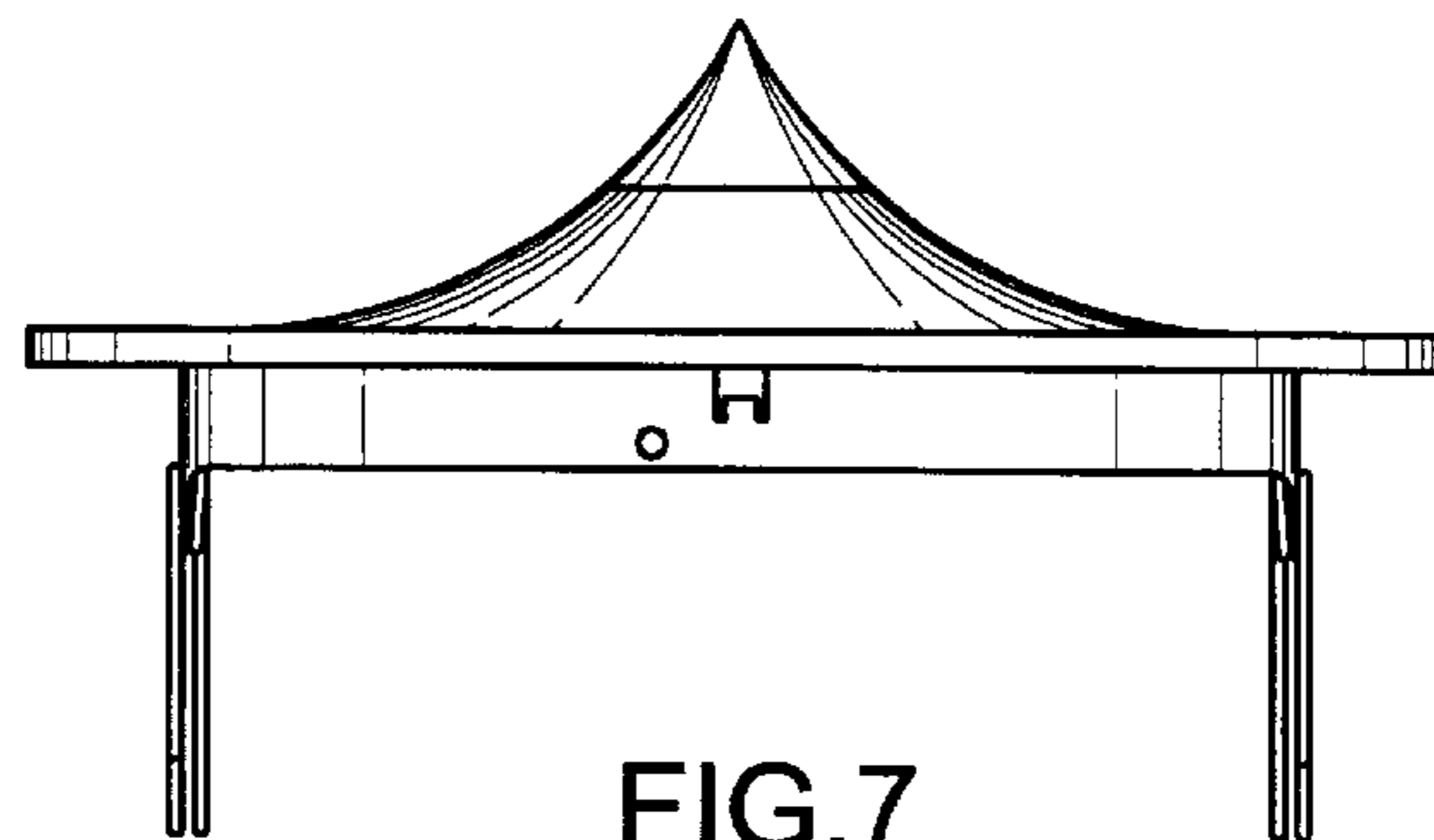


FIG. 7