

US00D508061S

(12) **United States Design Patent** (10) **Patent No.:** **US D508,061 S**
Kotala (45) **Date of Patent:** **** Aug. 2, 2005**

(54) **SHANK ADAPTER OF ROCK DRILLING MACHINE**

D266,521 S * 10/1982 Gustafsson D15/138
 6,109,620 A * 8/2000 Roberts et al. 279/143
 6,810,956 B1 * 11/2004 Sandstrom 166/242.6

(75) Inventor: **Ari Kotala**, Tampere (FI)

* cited by examiner

(73) Assignee: **Sandvik Tamrock Oy**, Tampere (FI)

Primary Examiner—Antoine D. Davis

(**) Term: **14 Years**

(74) *Attorney, Agent, or Firm*—Ladas & Parry LLP

(21) Appl. No.: **29/182,690**

(57) **CLAIM**

(22) Filed: **May 29, 2003**

The ornamental design for a shank adapter of rock drilling machine, as shown and described.

(30) **Foreign Application Priority Data**

DESCRIPTION

Feb. 5, 2003 (FI) M20030039

(51) **LOC (8) Cl.** **15-09**

(52) **U.S. Cl.** **D15/138; D15/132; D15/139**

(58) **Field of Search** D15/132, 138–139;
166/24; 175/206, 323; 228/114.5; 279/1,
19.3–19.6, 75, 143, 145; 403/307, 343;
408/144, 226, 239 A; 411/414, 416

FIG. 1 is a perspective front view of a shank adapter of rock drilling machine showing my new design;
 FIG. 2 is a perspective rear view thereof;
 FIG. 3 is a side view thereof;
 FIG. 4 is another side view thereof;
 FIG. 5 is a front view thereof;
 FIG. 6 is a rear view thereof;
 FIG. 7 is a perspective front view of a third embodiment of my new design;
 FIG. 8 is a perspective view from rear and side thereof;
 FIG. 9 is a perspective rear view thereof;
 FIG. 10 is a side view thereof;
 FIG. 11 is another side view thereof;
 FIG. 12 is a front view thereof; and,
 FIG. 13 is a rear view thereof.

(56) **References Cited**

U.S. PATENT DOCUMENTS

3,543,613 A * 12/1970 Obloy 408/57
 3,933,210 A * 1/1976 Skidmore 173/132
 4,050,840 A * 9/1977 Skingle 408/144
 4,076,445 A * 2/1978 Kress et al. 408/226
 4,242,888 A * 1/1981 Komeiji et al. 464/111

1 Claim, 2 Drawing Sheets

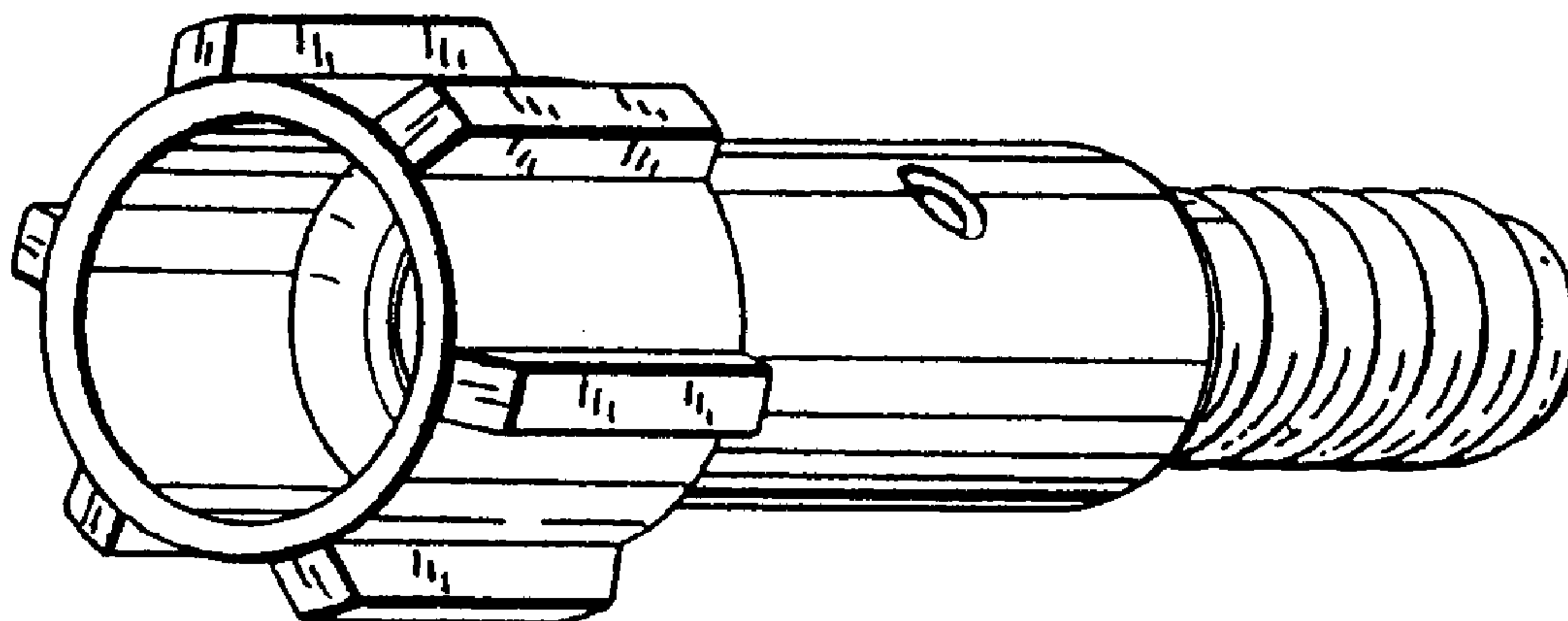


FIG. 2

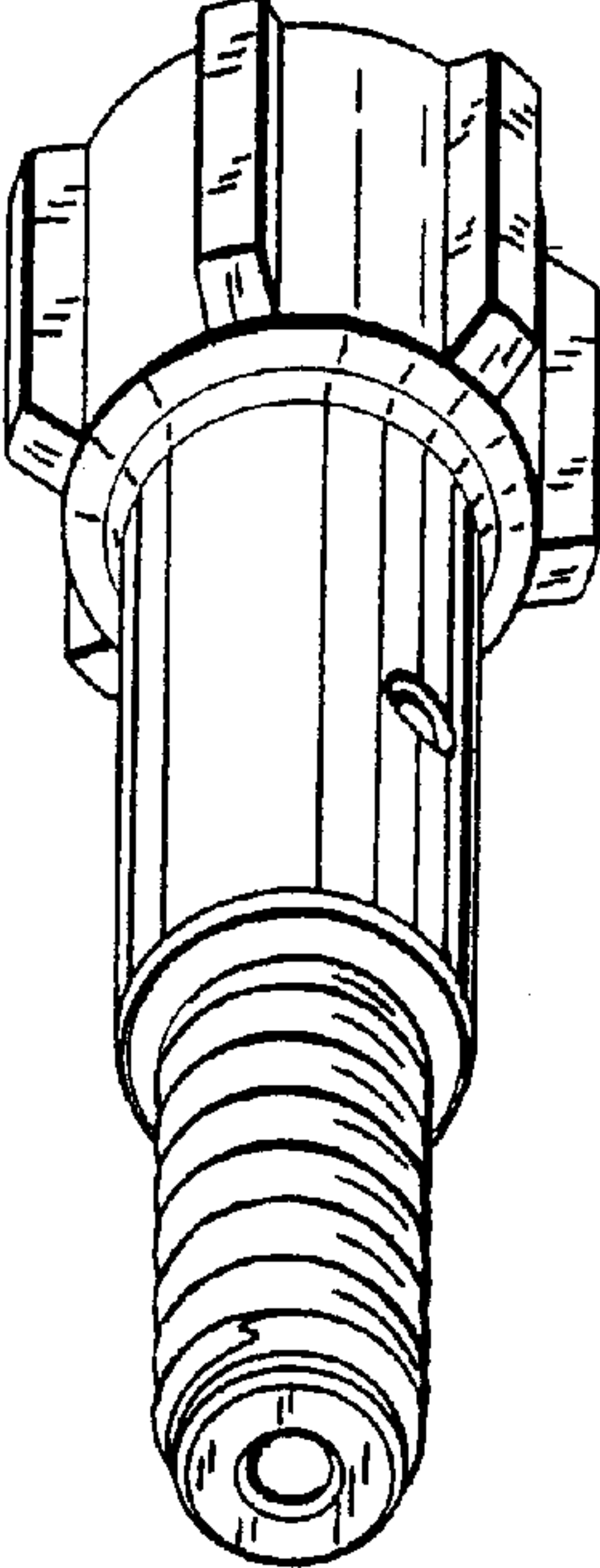


FIG. 3

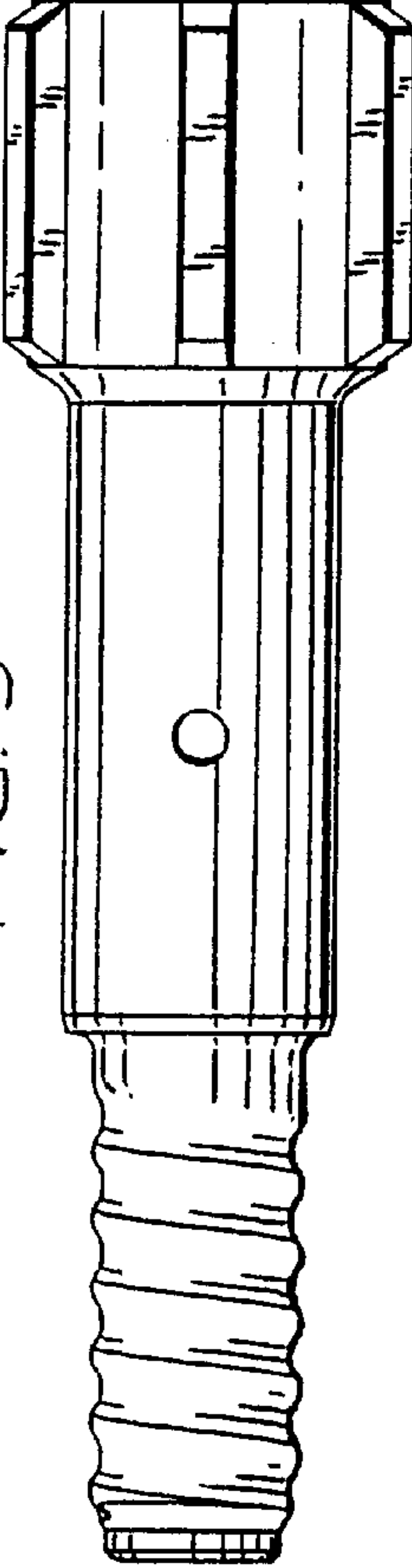


FIG. 6

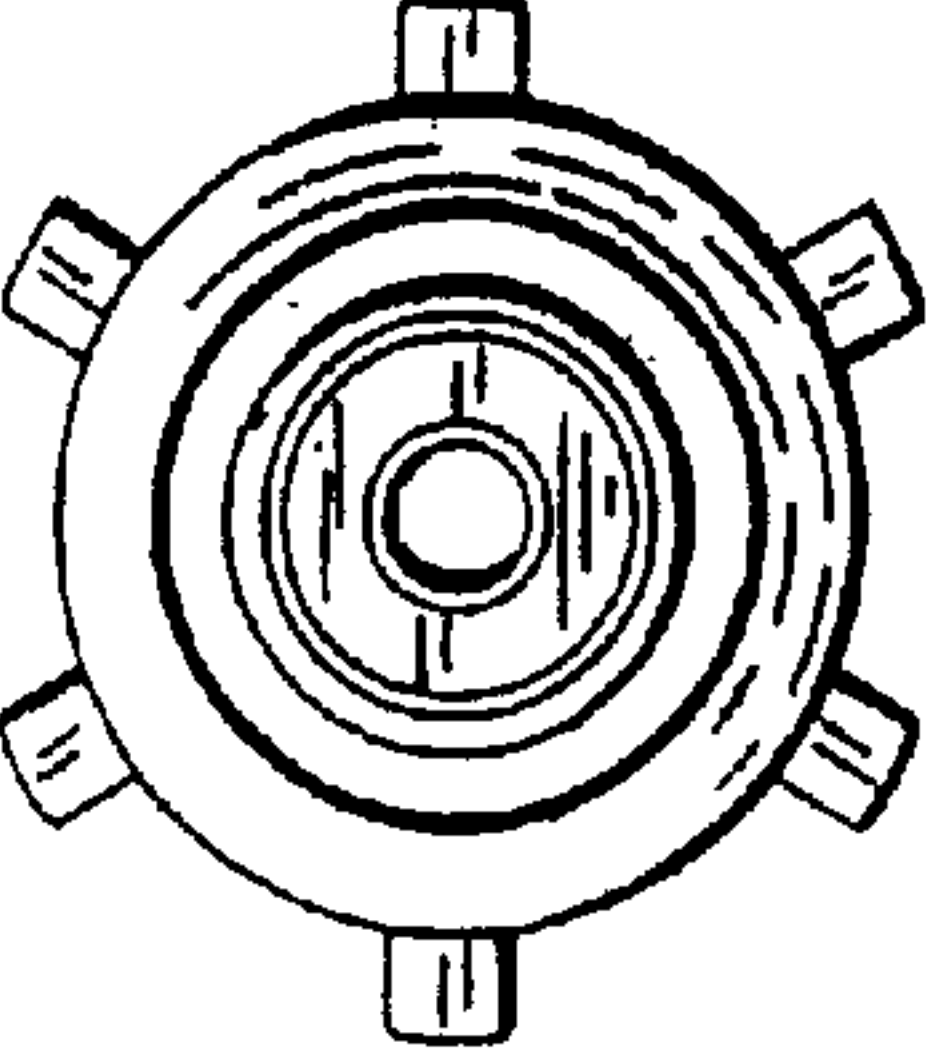


FIG. 1

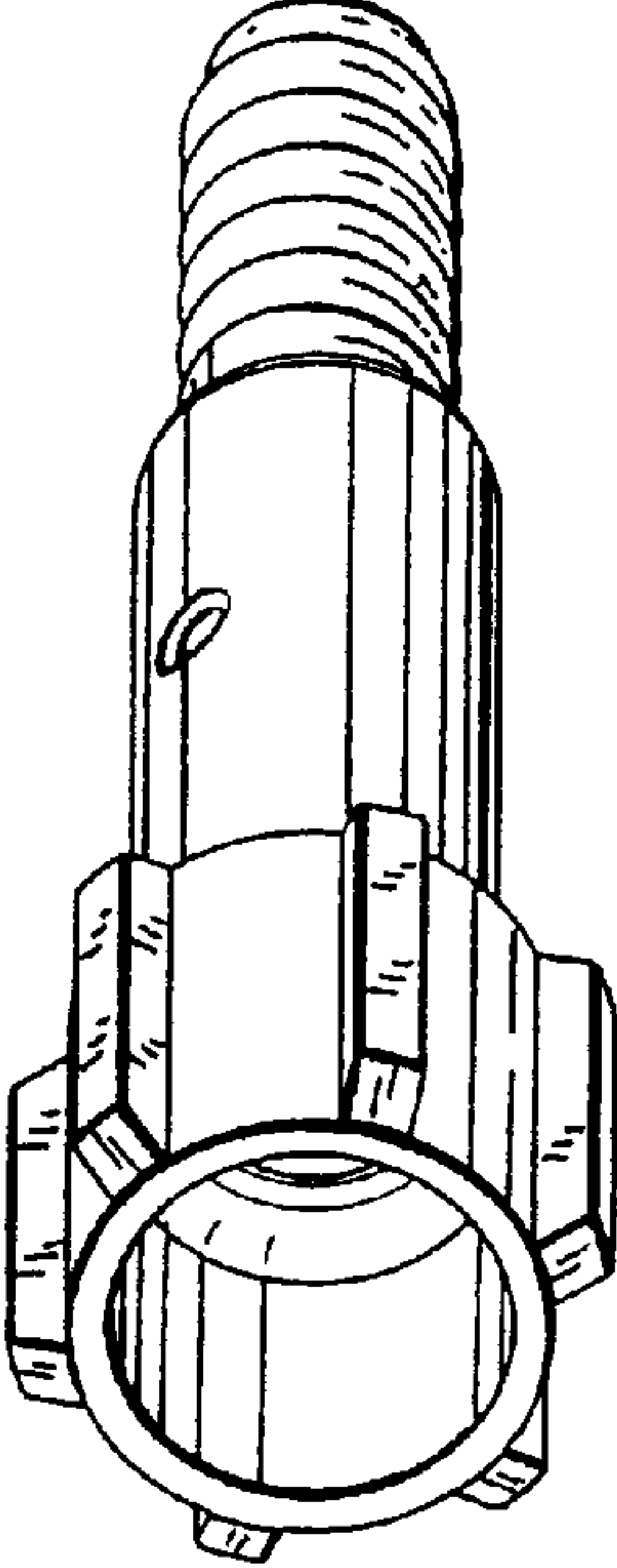


FIG. 5

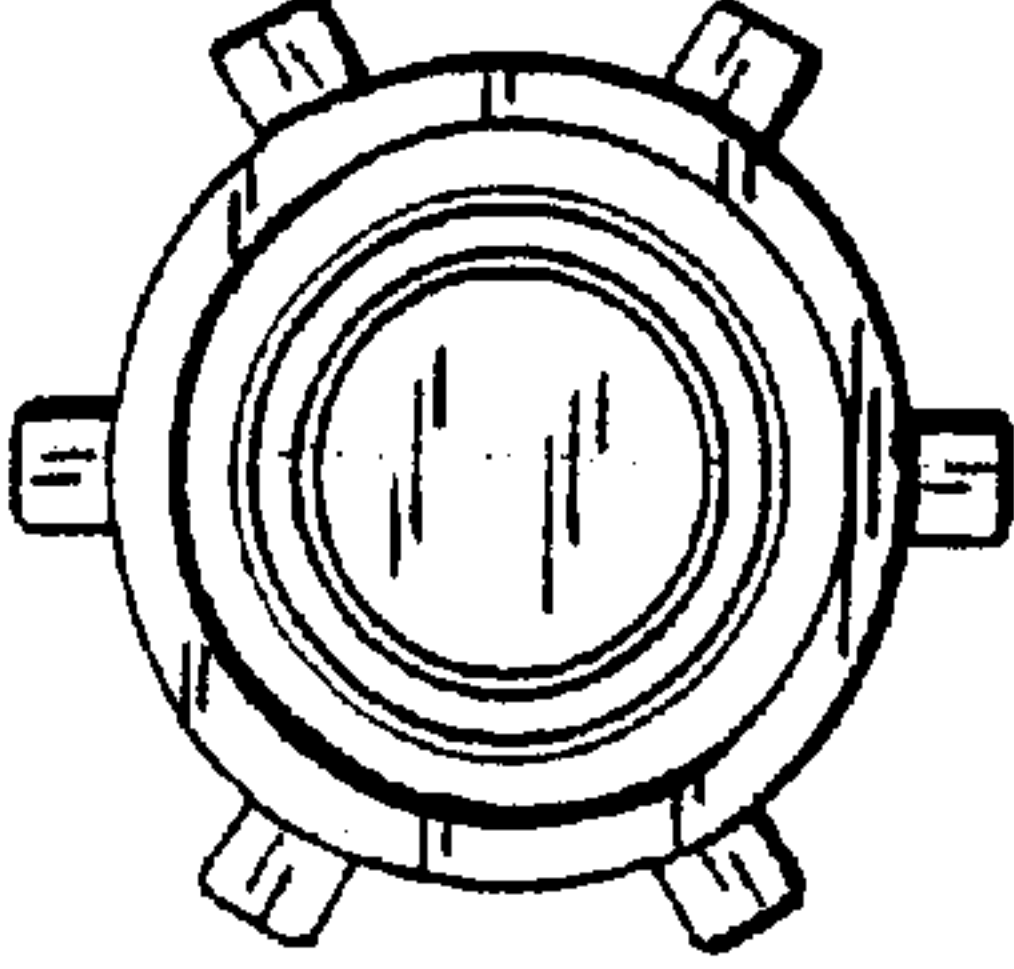


FIG. 4

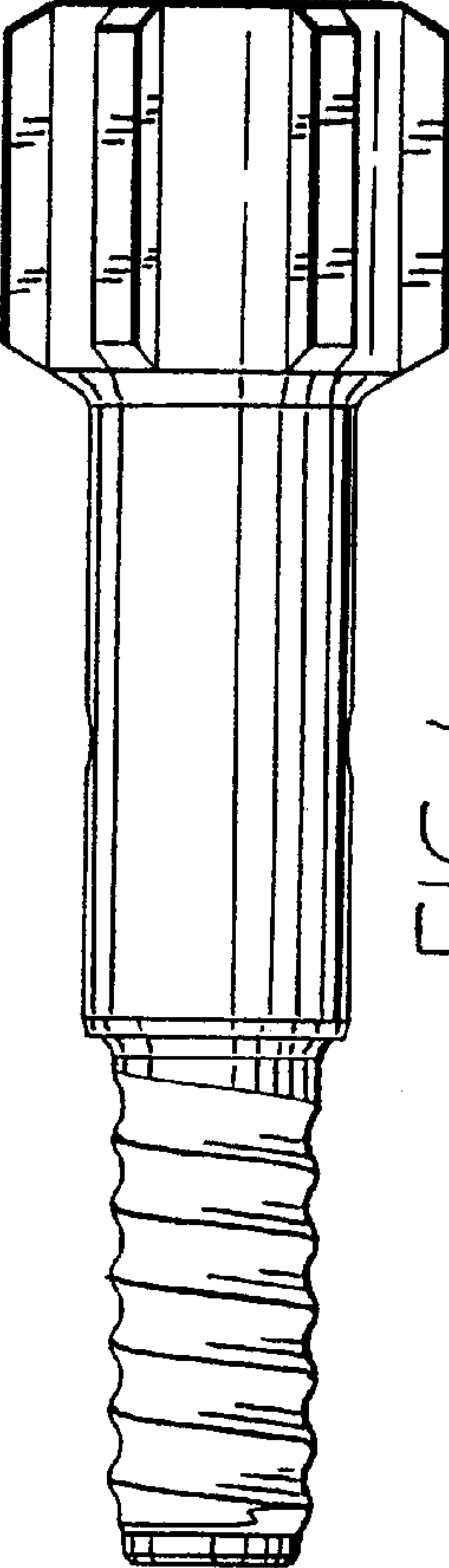


FIG. 7

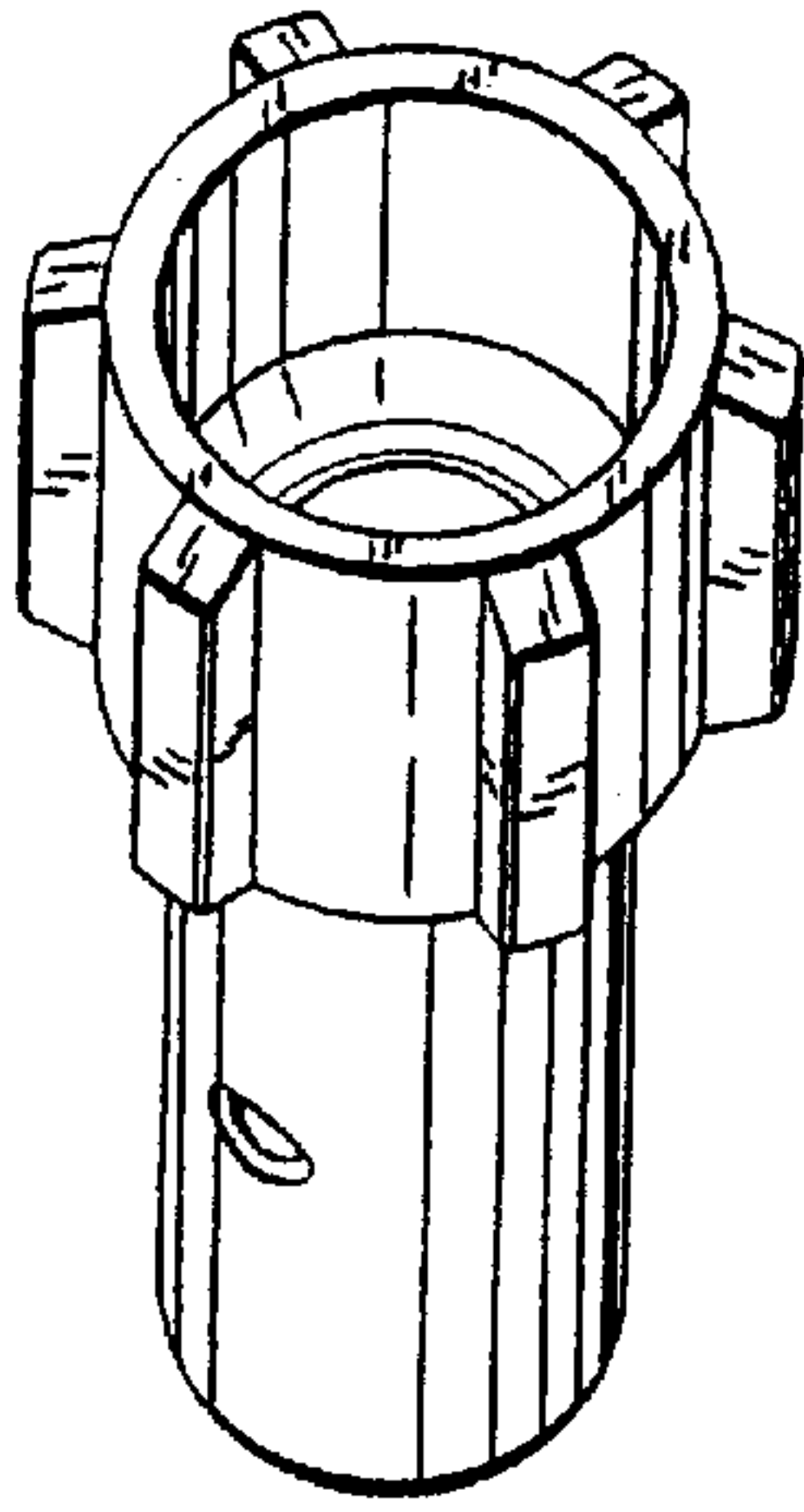


FIG. 8

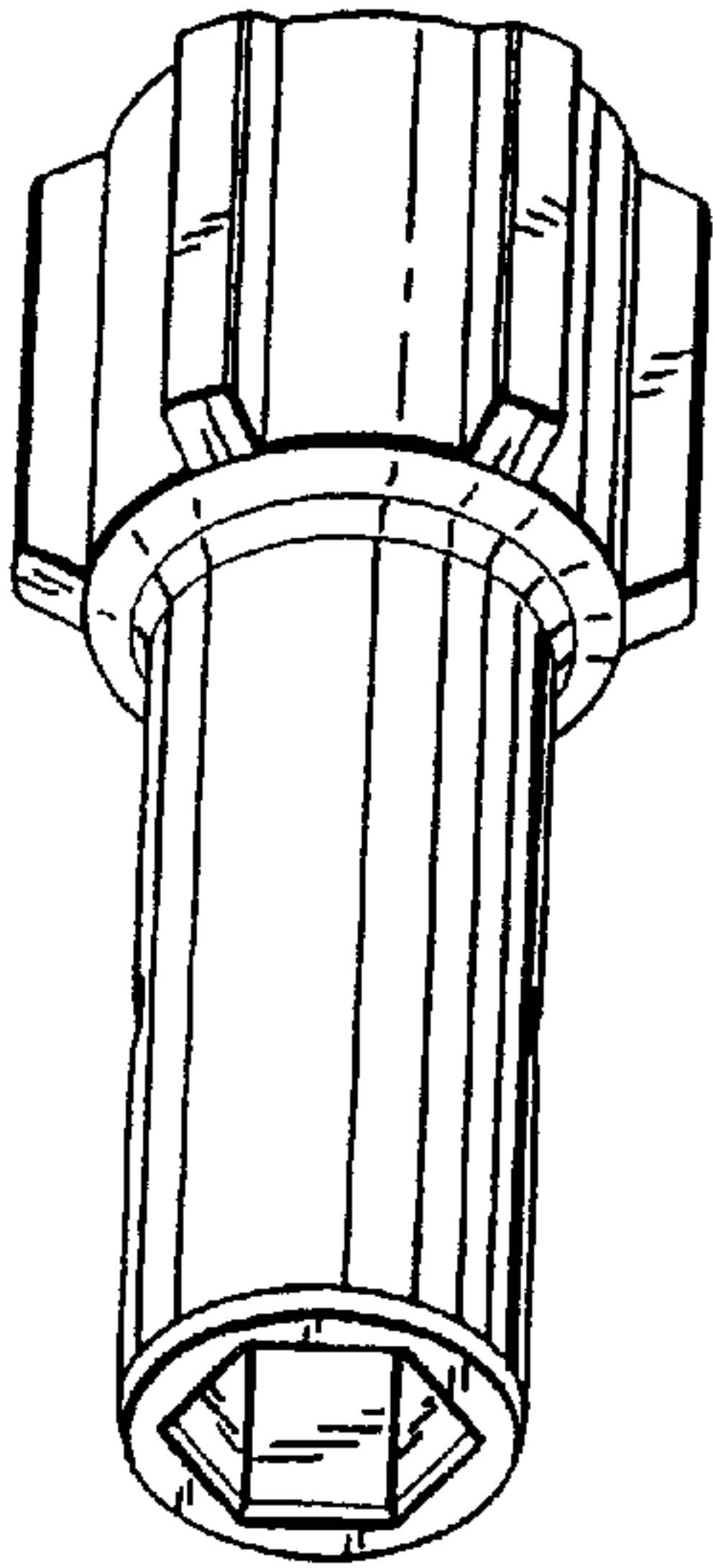


FIG. 9

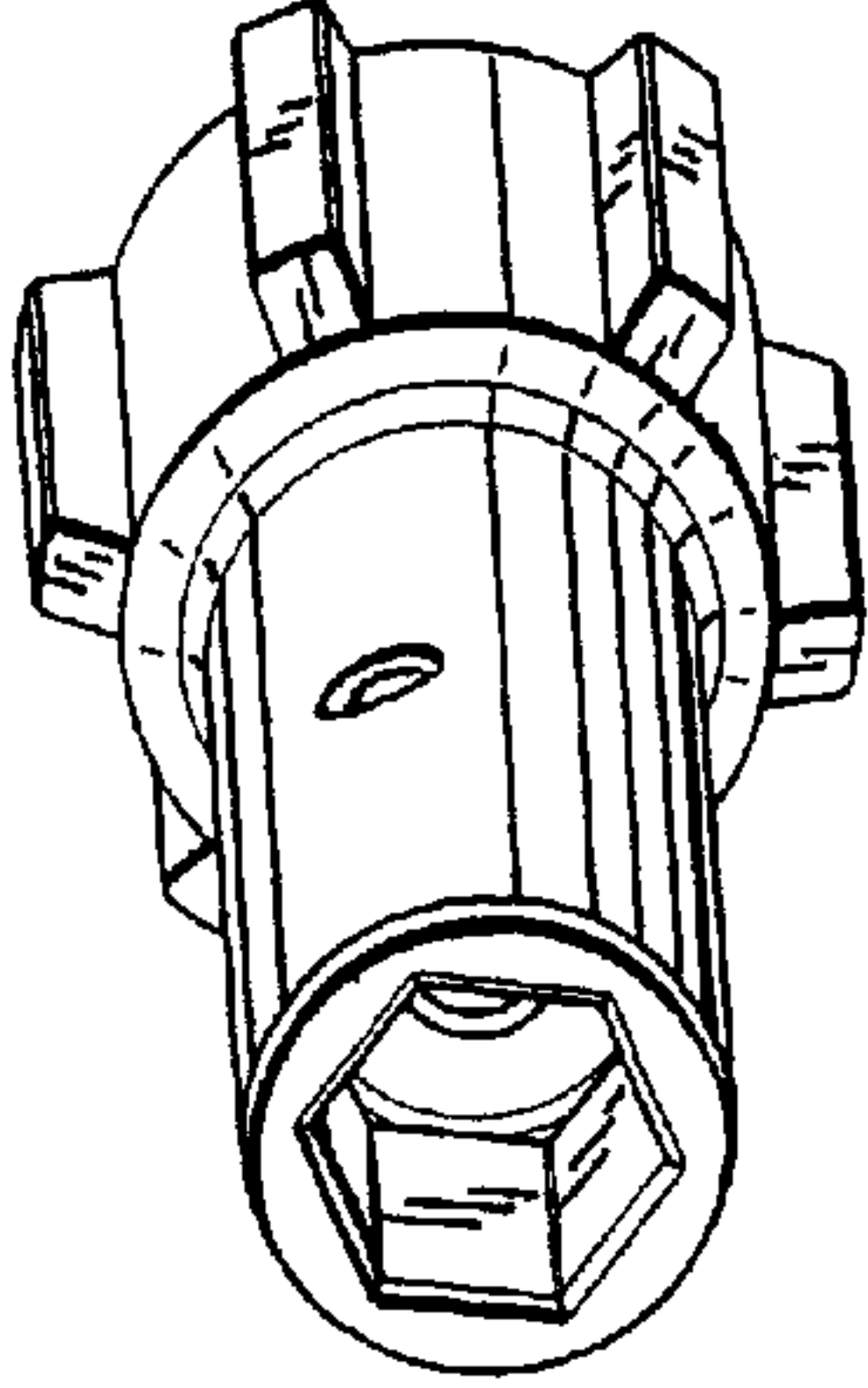


FIG. 10

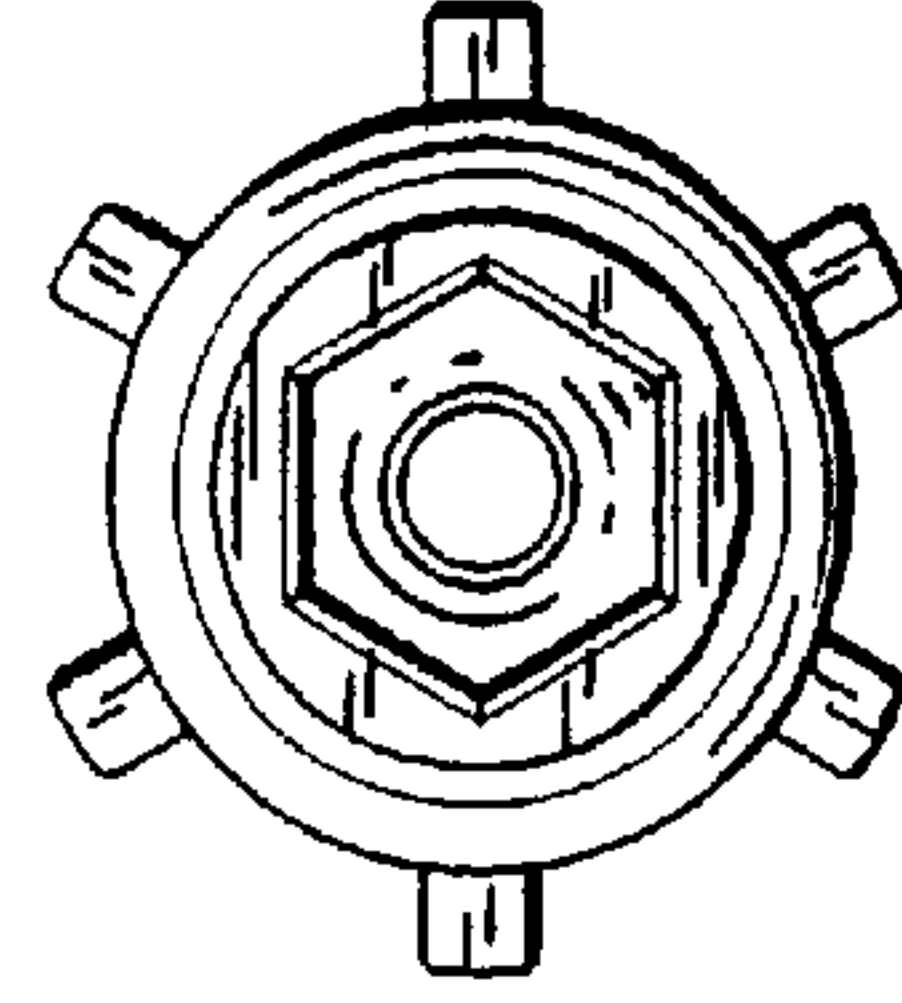
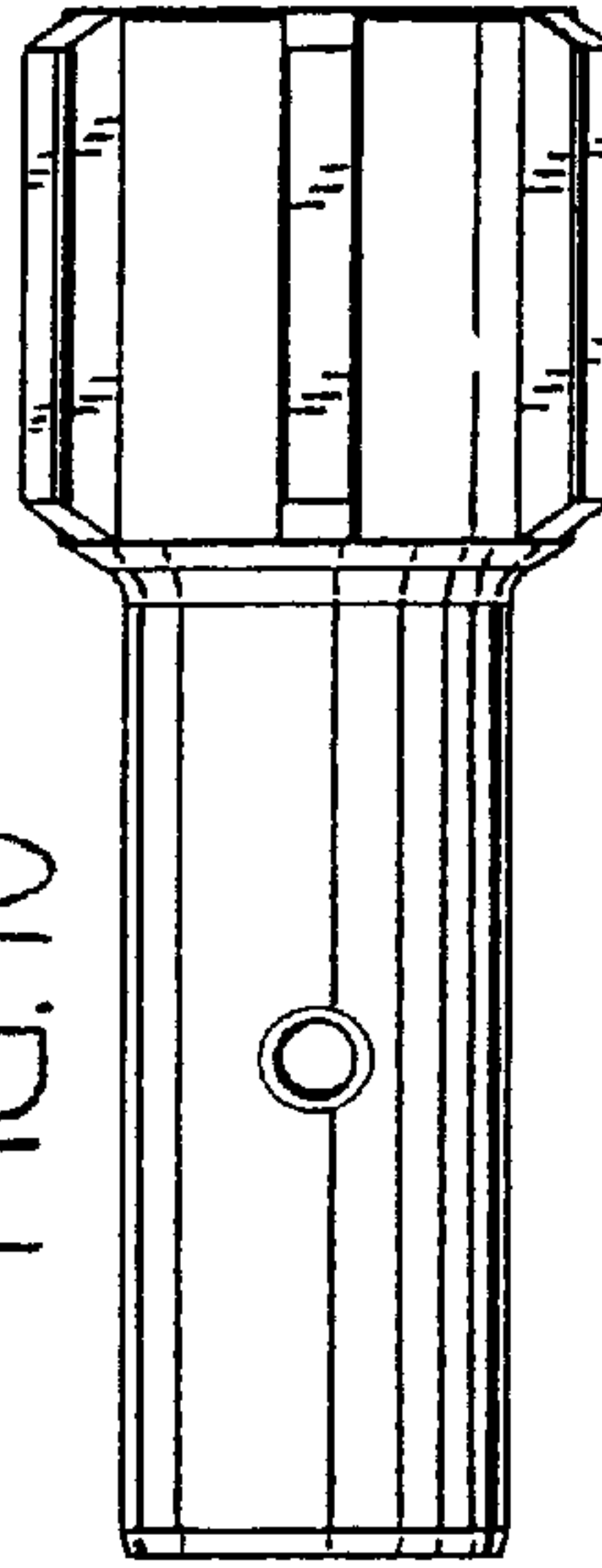


FIG. 13

FIG. 12

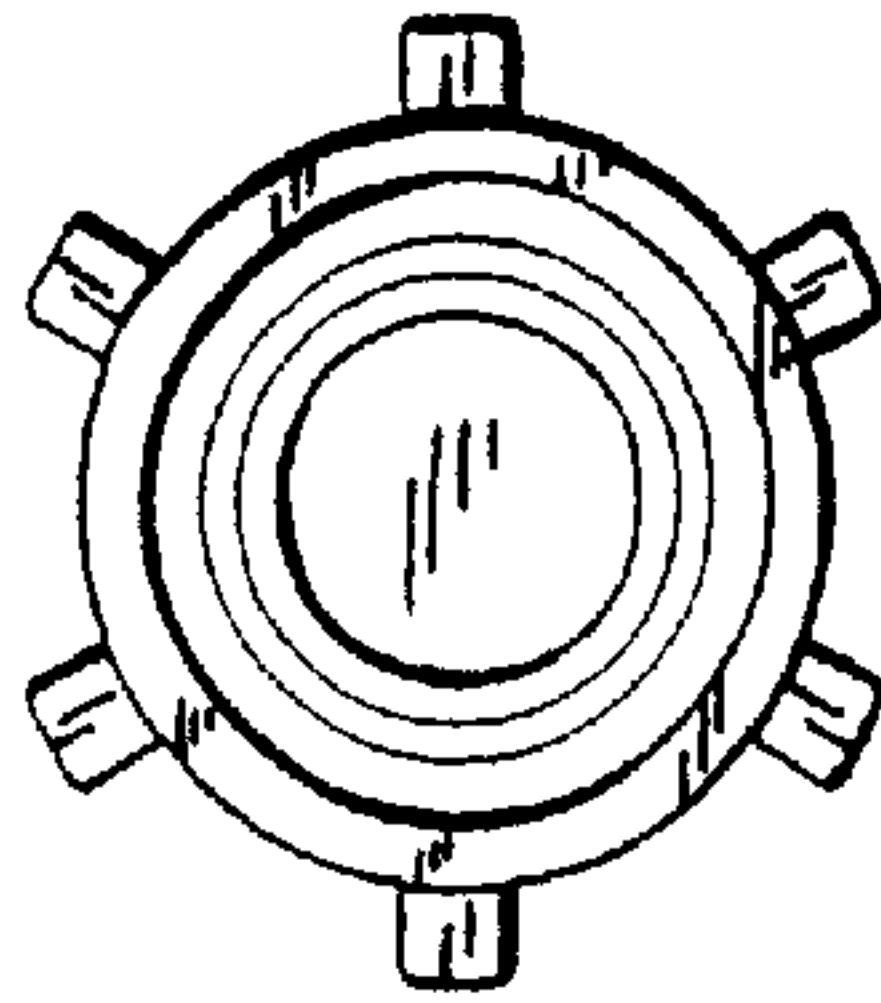


FIG. 11

