

US00D508058S

(12) **United States Design Patent**
Wu

(10) **Patent No.:** **US D508,058 S**

(45) **Date of Patent:** **** Aug. 2, 2005**

(54) **PUMPING DEVICE**

(76) **Inventor:** **Yue Qin Wu, Skywise Gongye Ou, Xin Tian, Guanlan, Shenzhen (CN)**

(**) **Term:** **14 Years**

(21) **Appl. No.:** **29/206,260**

(22) **Filed:** **May 26, 2004**

(51) **LOC (8) Cl.** **15-02**

(52) **U.S. Cl.** **D15/7**

(58) **Field of Search** D15/7-9; 417/321,
417/410, 413.1, 415, 423.3, 486, 521, 534;
415/148

(56) **References Cited**

U.S. PATENT DOCUMENTS

D273,178 S	*	3/1984	Dunlap	D9/721
D293,583 S	*	1/1988	Dunlap	D15/7
D309,143 S	*	7/1990	Yang	D15/9
D323,329 S	*	1/1992	Wong	D15/9
D403,331 S	*	12/1998	Williams	D15/9
D406,150 S	*	2/1999	Wang	D15/9

D436,602 S	*	1/2001	Wang	D15/9
D443,736 S	*	6/2001	Warth	D32/15
D458,751 S	*	6/2002	Hsieh	D3/294
D472,559 S	*	4/2003	Metz	D15/9

* cited by examiner

Primary Examiner—Ralf Seifert

(74) *Attorney, Agent, or Firm*—Raymond Y. Chan; David and Raymond

(57) **CLAIM**

The ornamental design for a pumping device, as shown.

DESCRIPTION

FIG. 1 is a front view thereof.
 FIG. 2 is a rear view thereof.
 FIG. 3 is a left end view thereof.
 FIG. 4 is a right end view thereof.
 FIG. 5 is a top view thereof.
 FIG. 6 is a bottom view thereof.
 FIG. 7 is a perspective view showing my new design; and,
 FIG. 8 is a perspective view showing an opening position thereof.

1 Claim, 8 Drawing Sheets





FIG.1

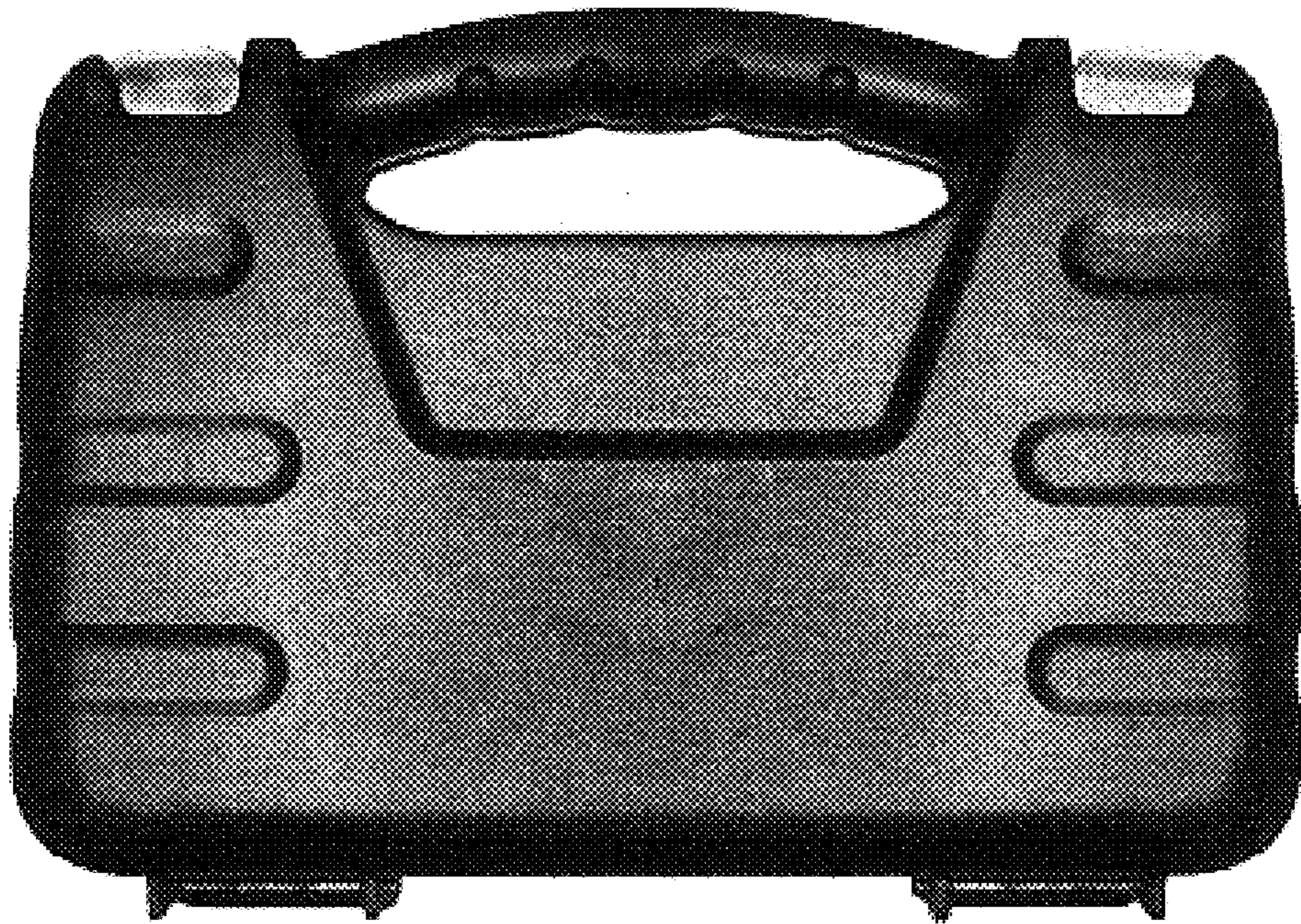


FIG.2

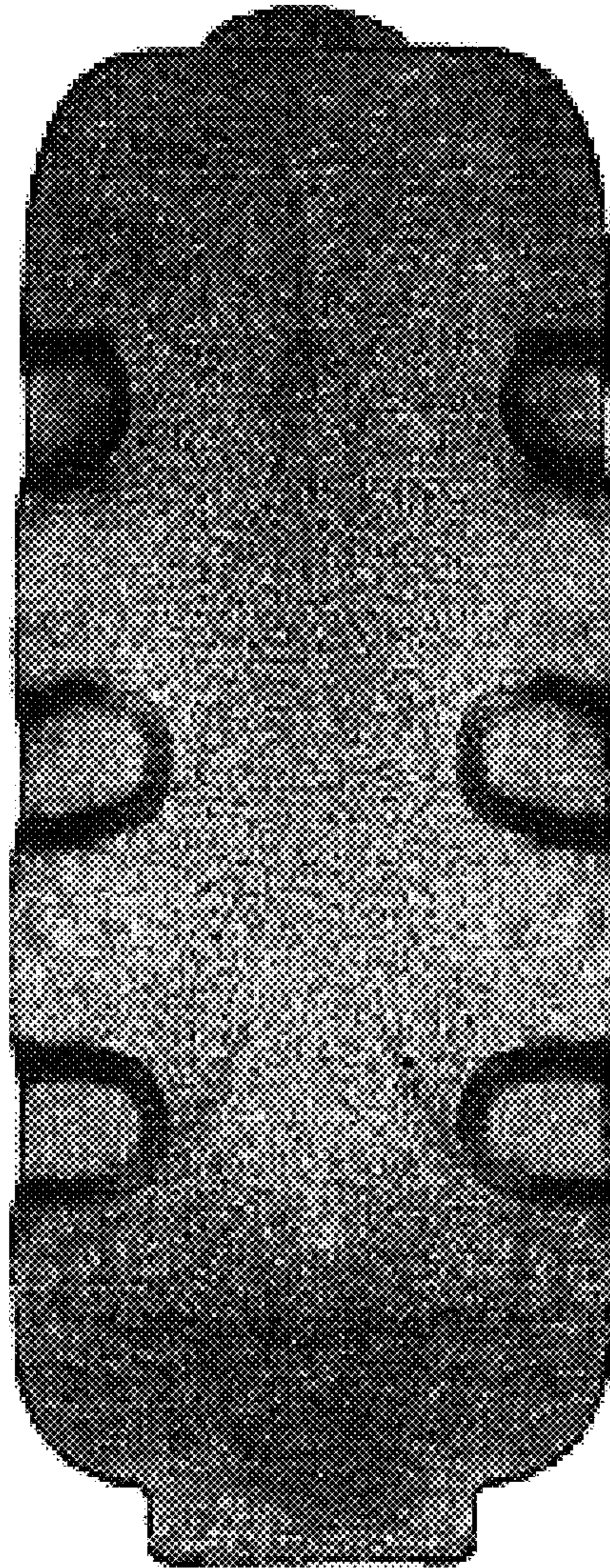


FIG. 3

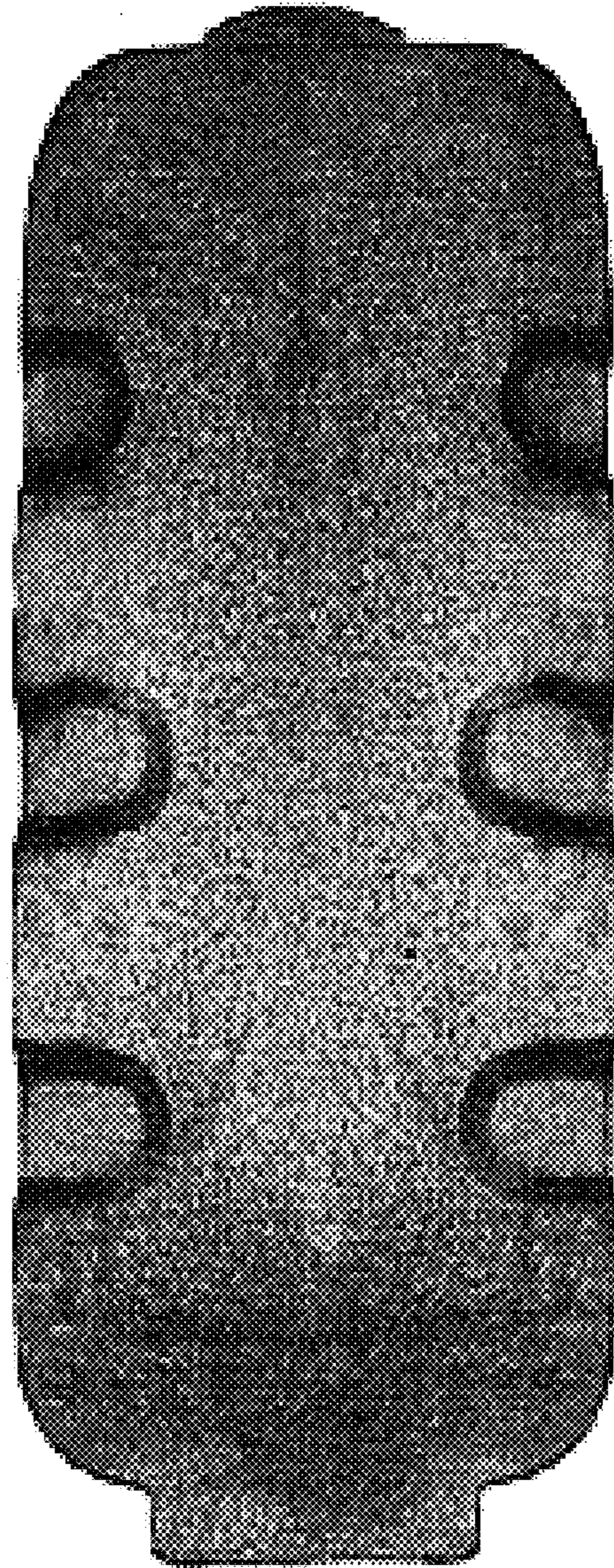


FIG.4

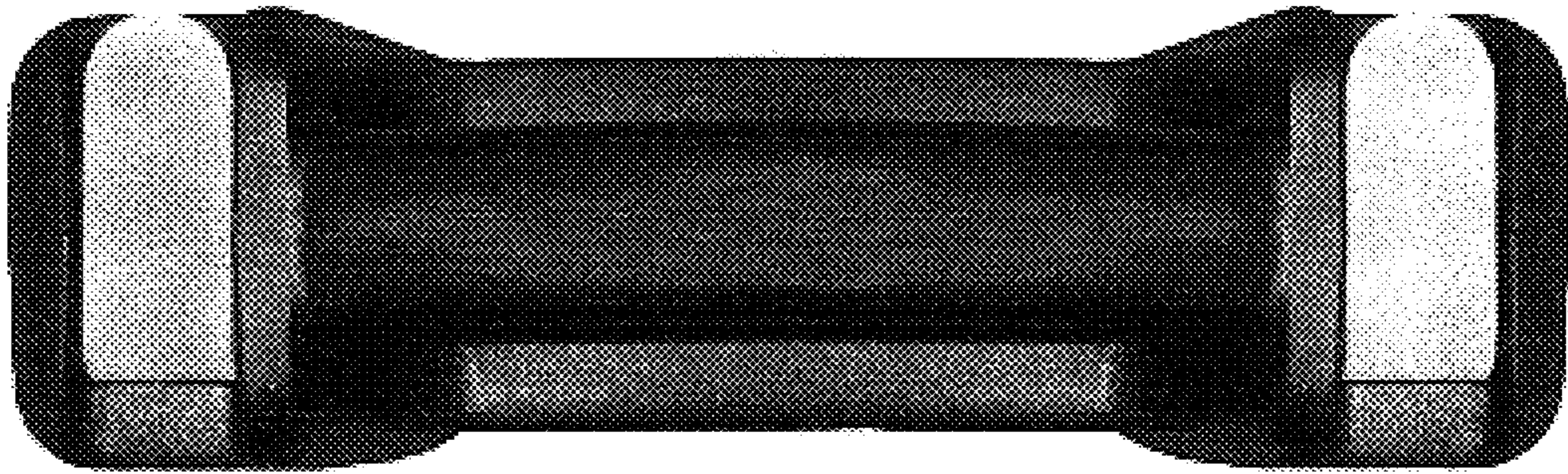


FIG.5

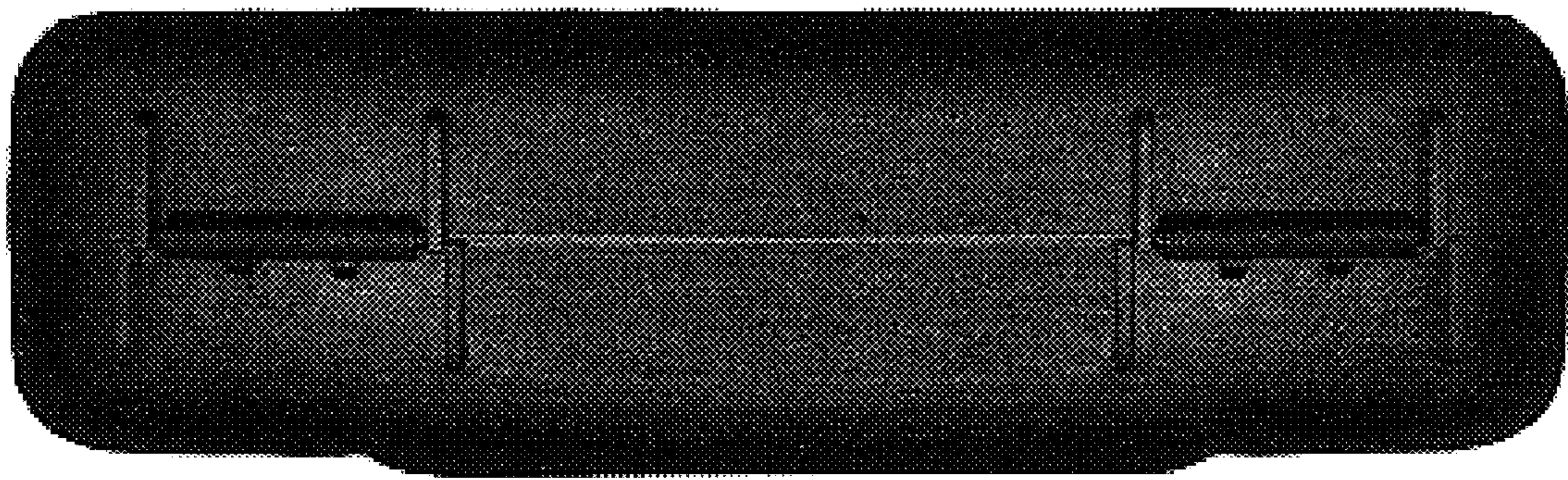


FIG.6

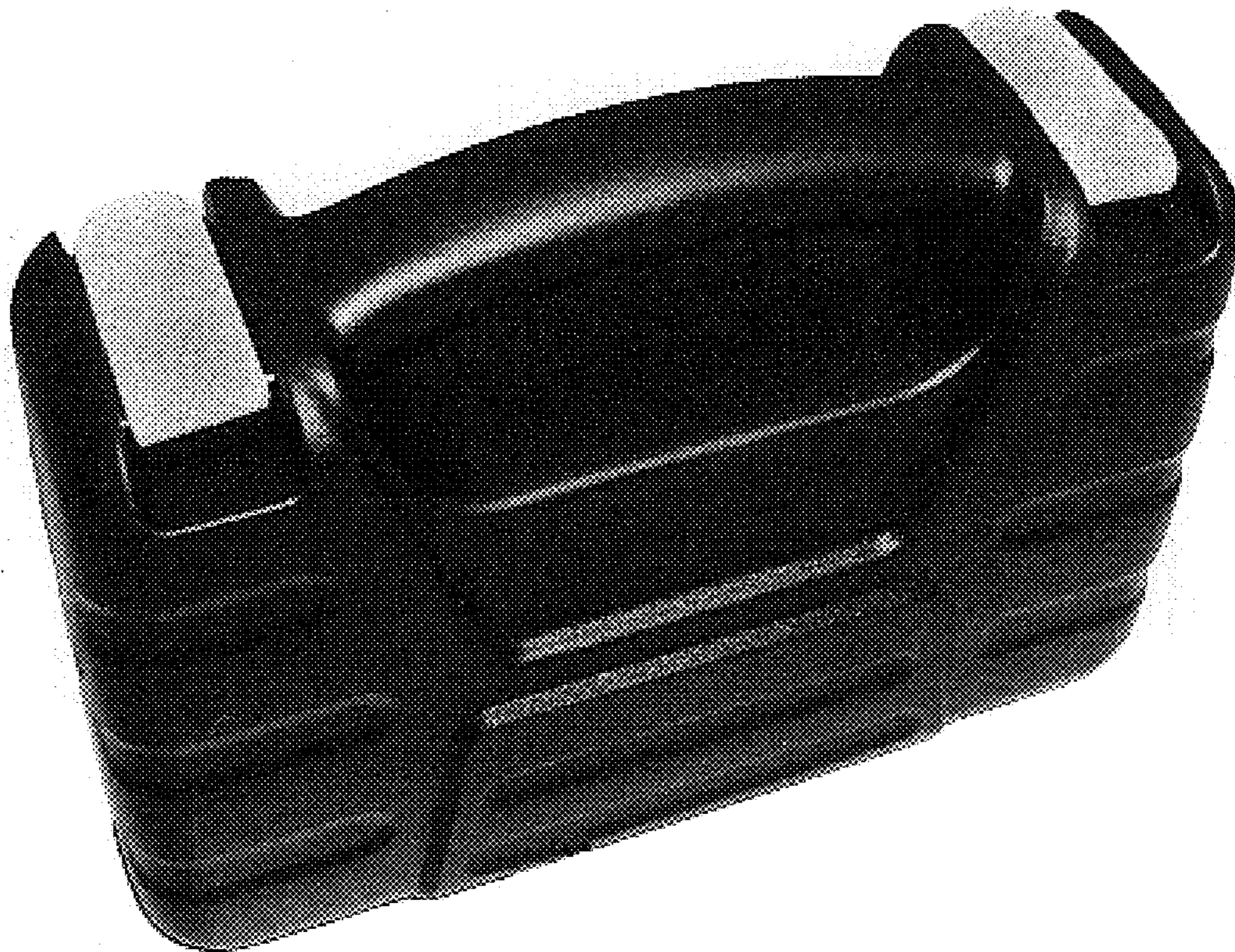


FIG.7



FIG.8