

US00D508056S

(12) **United States Design Patent** (10) **Patent No.:** **US D508,056 S**  
**Ishigami et al.** (45) **Date of Patent:** **\*\* Aug. 2, 2005**

(54) **FACSIMILE MACHINE**

(75) Inventors: **Michifumi Ishigami**, Nagoya (JP);  
**Kazuhiro Hoshiya**, Nagoya (JP);  
**Yasutake Yamaguchi**, Chiryu (JP)

(73) Assignee: **Brother Kogyo Kabushiki Kaisha**,  
Nagoya (JP)

(\*\*) Term: **14 Years**

(21) Appl. No.: **29/207,544**

(22) Filed: **Jun. 16, 2004**

(30) **Foreign Application Priority Data**  
Dec. 26, 2003 (JP) ..... 2003-038740

(51) **LOC (8) Cl.** ..... **16-03**

(52) **U.S. Cl.** ..... **D14/468; D14/467**

(58) **Field of Search** ..... D14/462-471,  
D14/496; 358/400, 401, 498, 296; D18/36,  
37

5,905,782 A \* 5/1999 Lee et al. .... 379/100.01  
6,040,919 A \* 3/2000 Iwata et al. .... 358/400  
D435,155 S \* 12/2000 Katsukawa ..... D14/468  
D448,774 S \* 10/2001 Benedetto et al. .... D14/467  
D452,510 S \* 12/2001 Irvine et al. .... D14/467  
D491,576 S \* 6/2004 Yamaguchi ..... D14/468

\* cited by examiner

*Primary Examiner*—Prabhakar Deshmukh  
(74) *Attorney, Agent, or Firm*—Oliff & Berridge, PLC

(57) **CLAIM**

The ornamental design for a facsimile machine, as shown and described.

**DESCRIPTION**

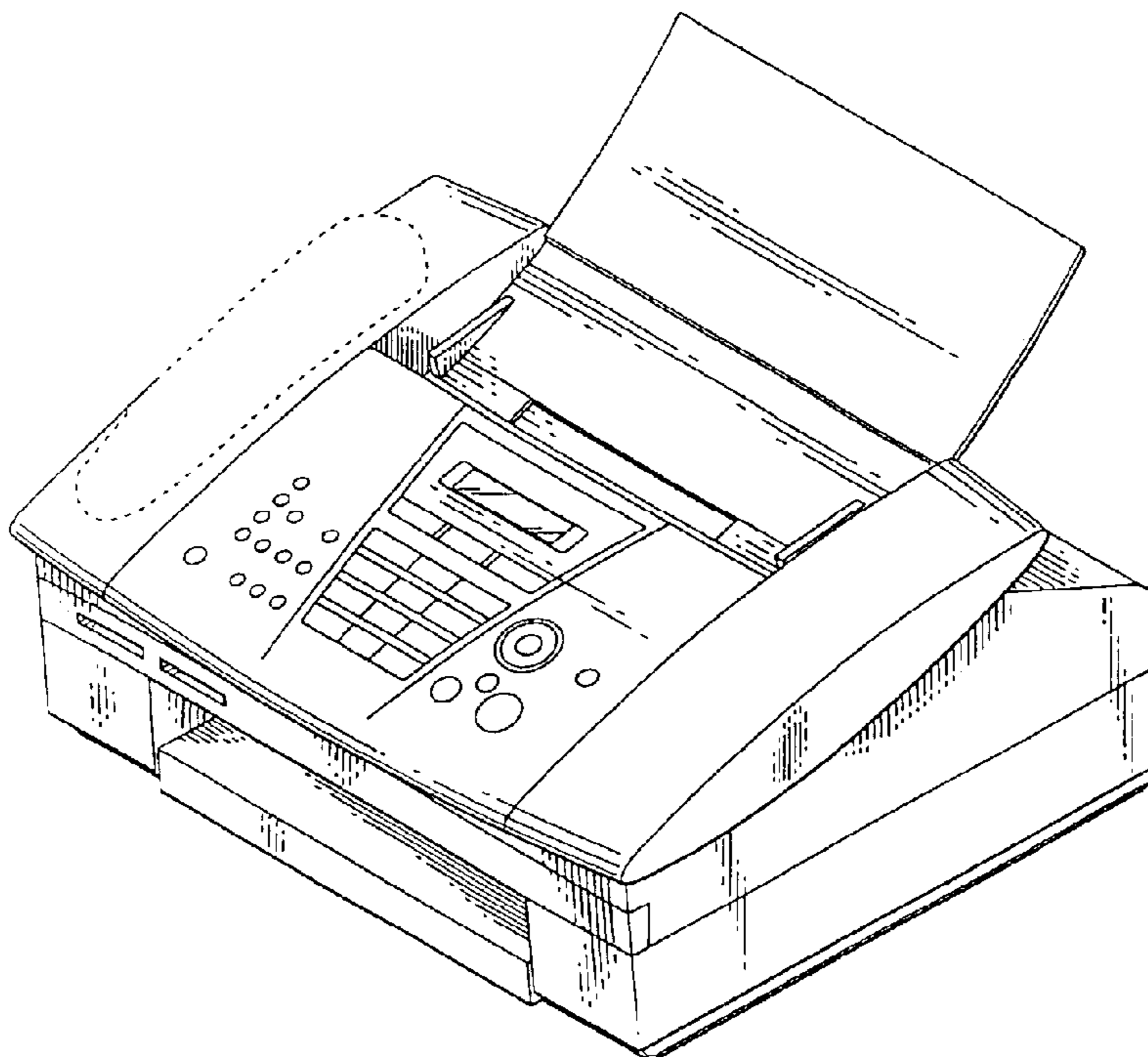
FIG. 1 is a front view of a facsimile machine;  
FIG. 2 is a top view thereof;  
FIG. 3 is a right-side view thereof;  
FIG. 4 is a left-side view thereof;  
FIG. 5 is a rear view thereof;  
FIG. 6 is a bottom view thereof;  
FIG. 7 is a perspective view thereof;  
FIG. 8 is a perspective view thereof with a handset removed;  
and,  
FIG. 9 is a perspective view thereof with a paper tray in an open condition.  
The broken lines are for illustrative purposes only and do not form part of the claimed design.

(56) **References Cited**

**U.S. PATENT DOCUMENTS**

5,183,431 A \* 2/1993 Todokoro ..... 446/142  
5,317,422 A \* 5/1994 Fujimoto ..... 358/476  
D368,259 S \* 3/1996 Bishop et al. .... D14/468  
5,737,097 A \* 4/1998 Fujimoto ..... 358/476  
D407,083 S \* 3/1999 Yamamizu ..... D14/468

**1 Claim, 5 Drawing Sheets**



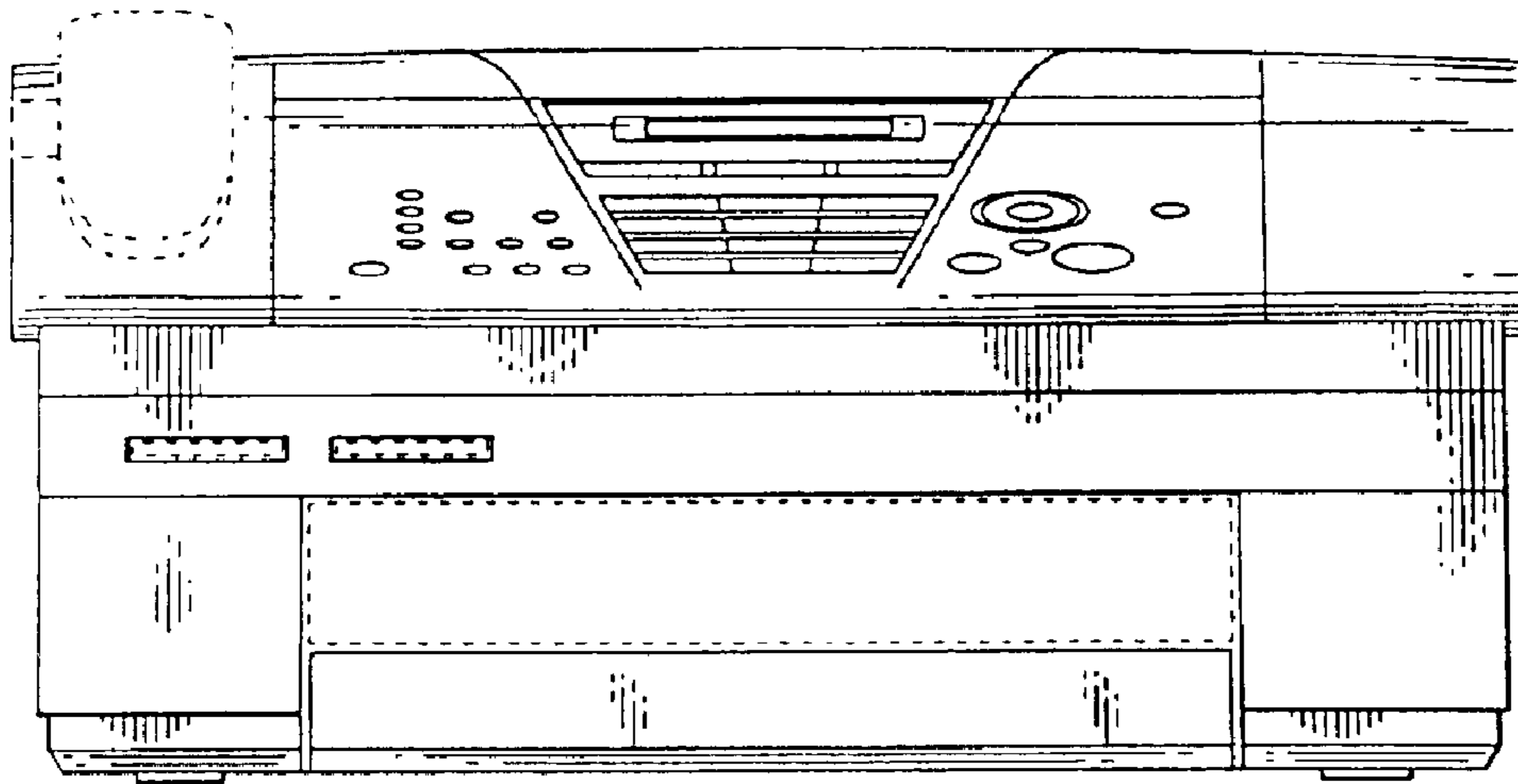


Fig. 1

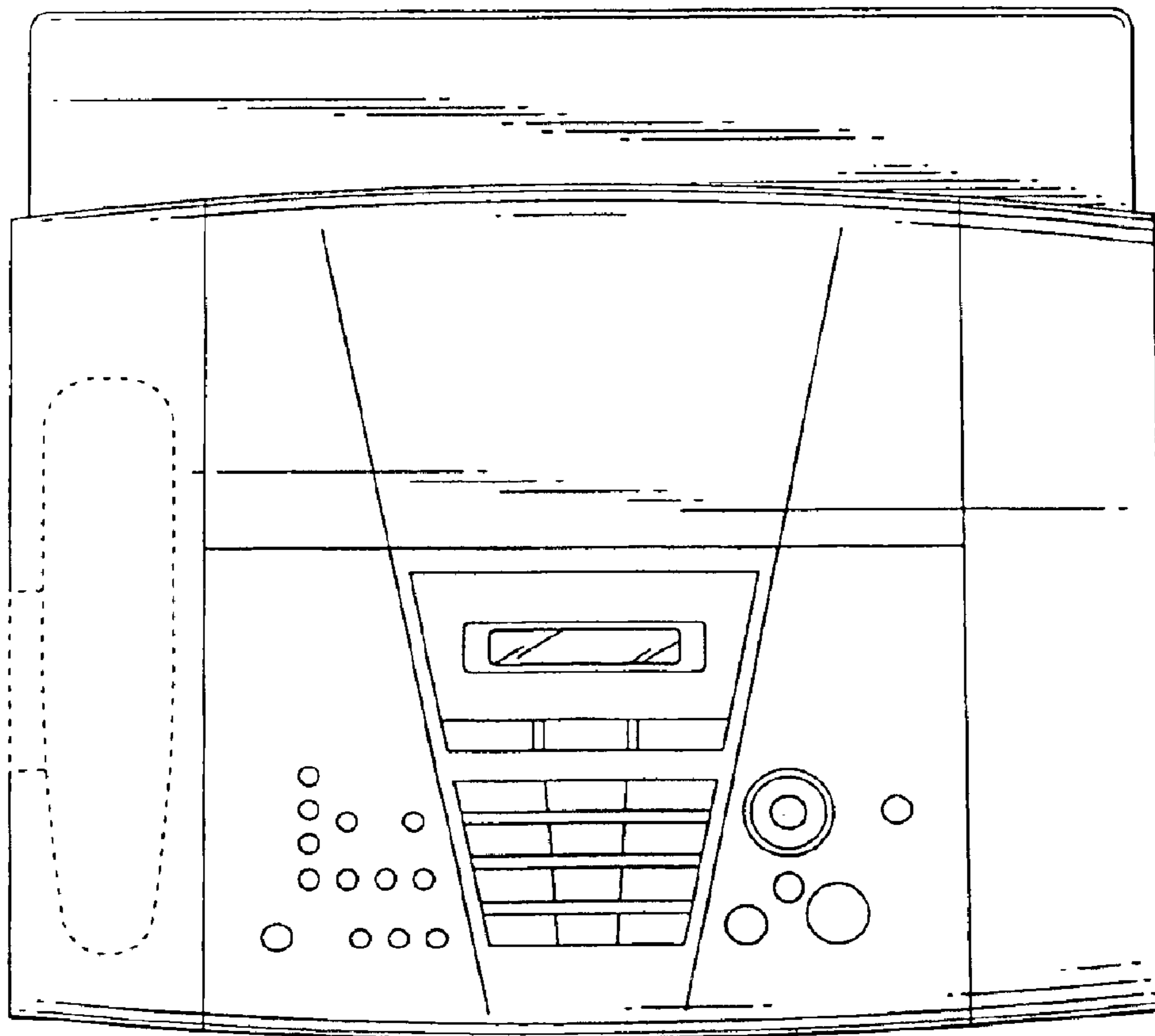


Fig. 2

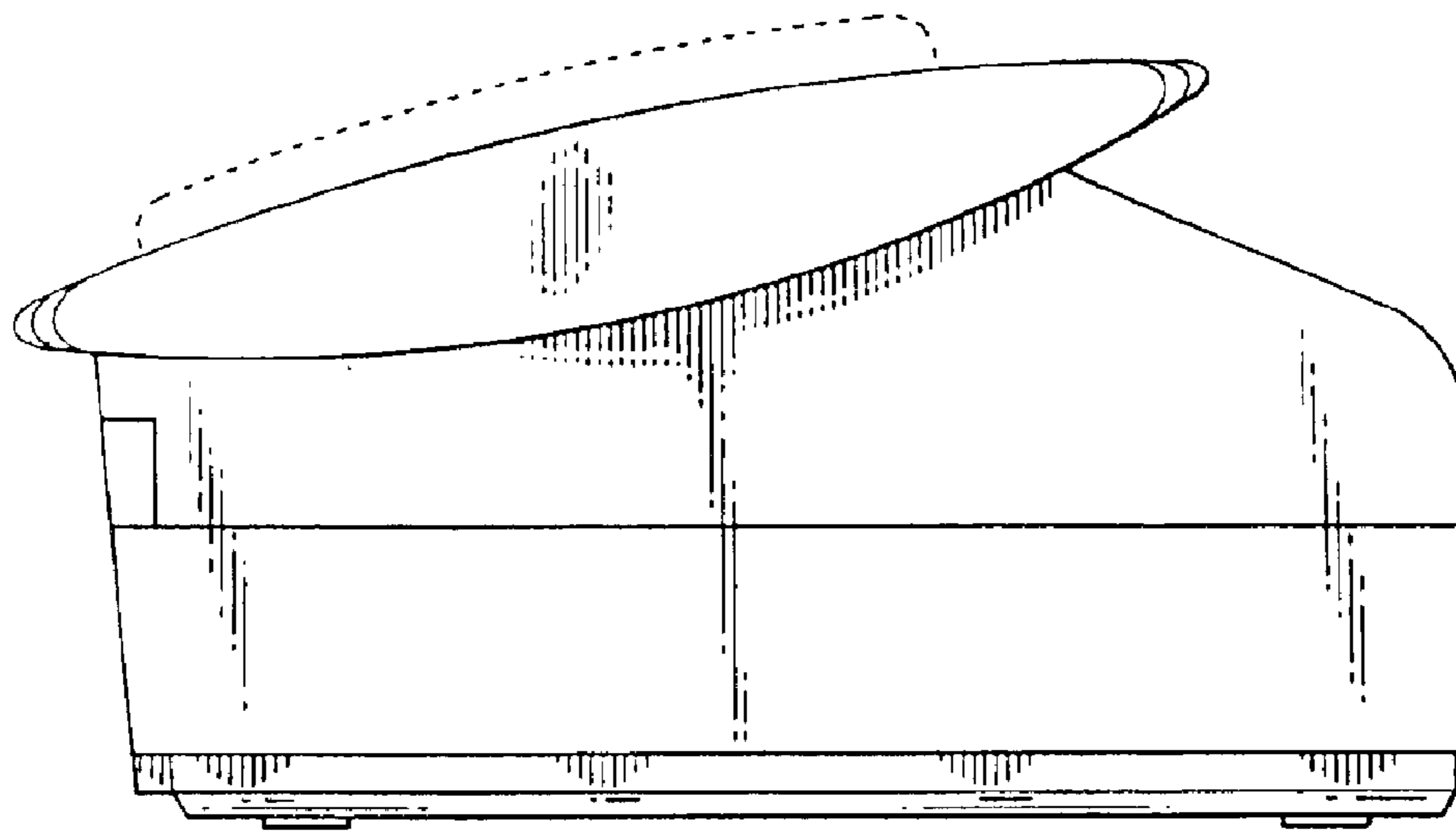


Fig. 3

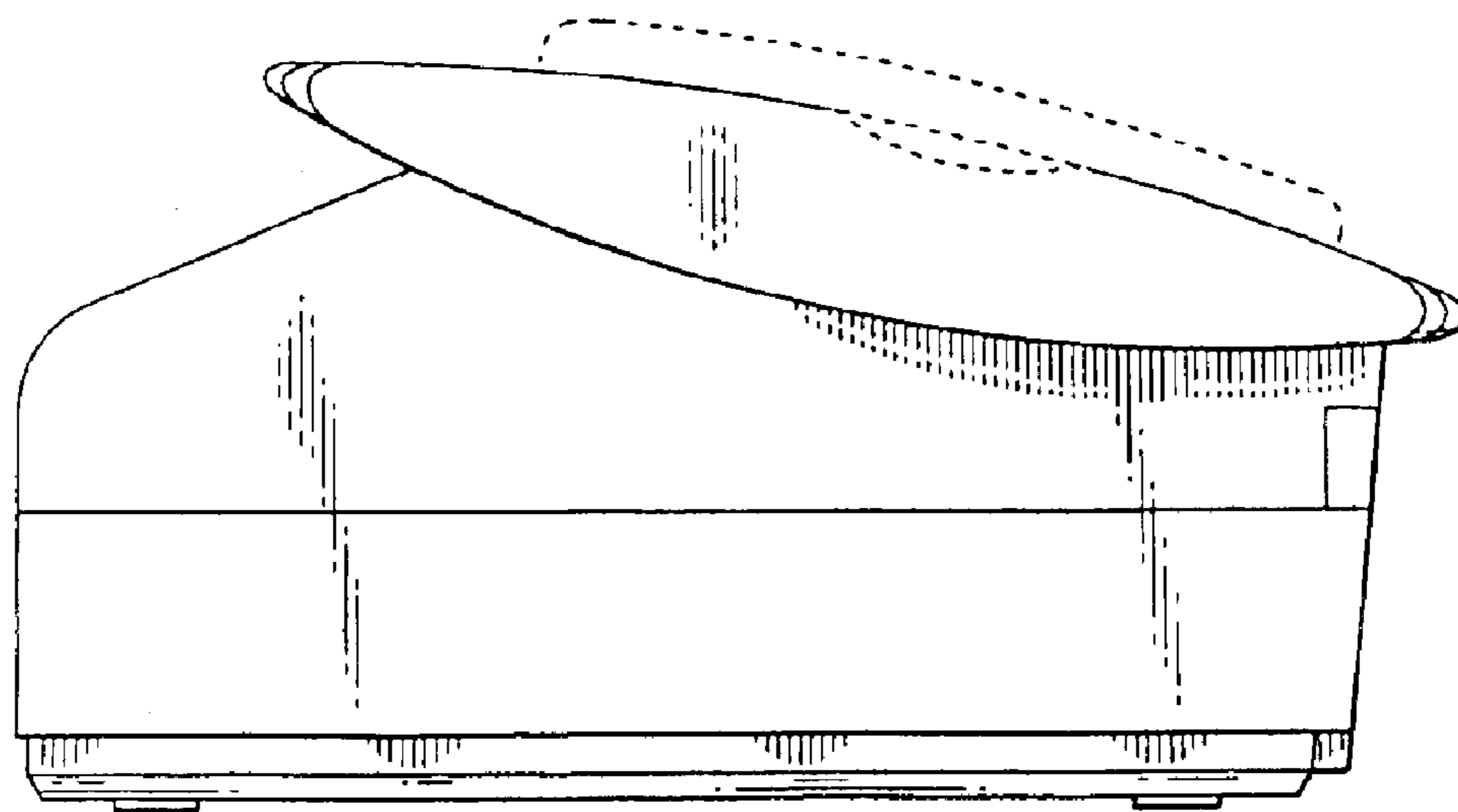


Fig. 4

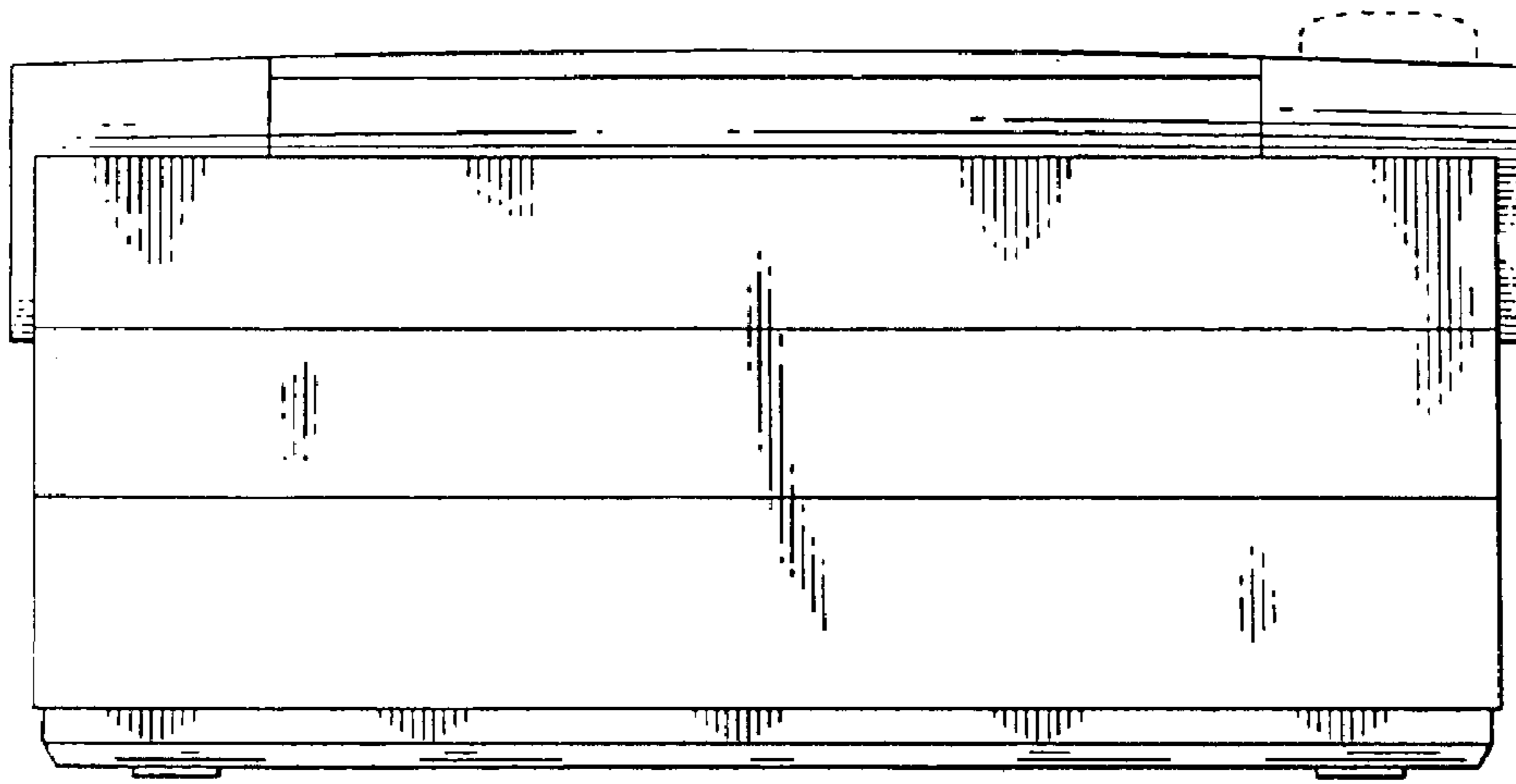


Fig. 5

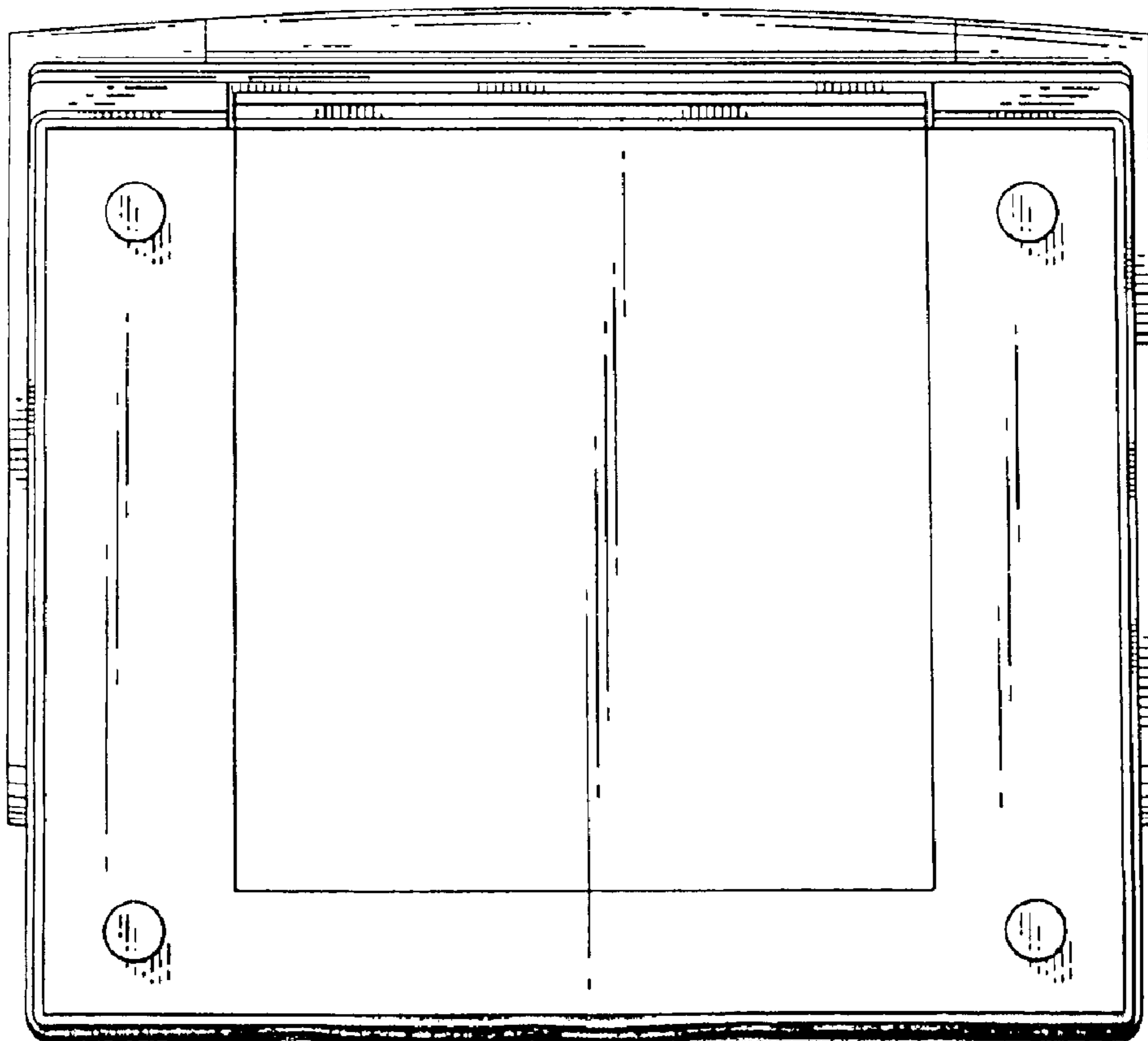


Fig. 6



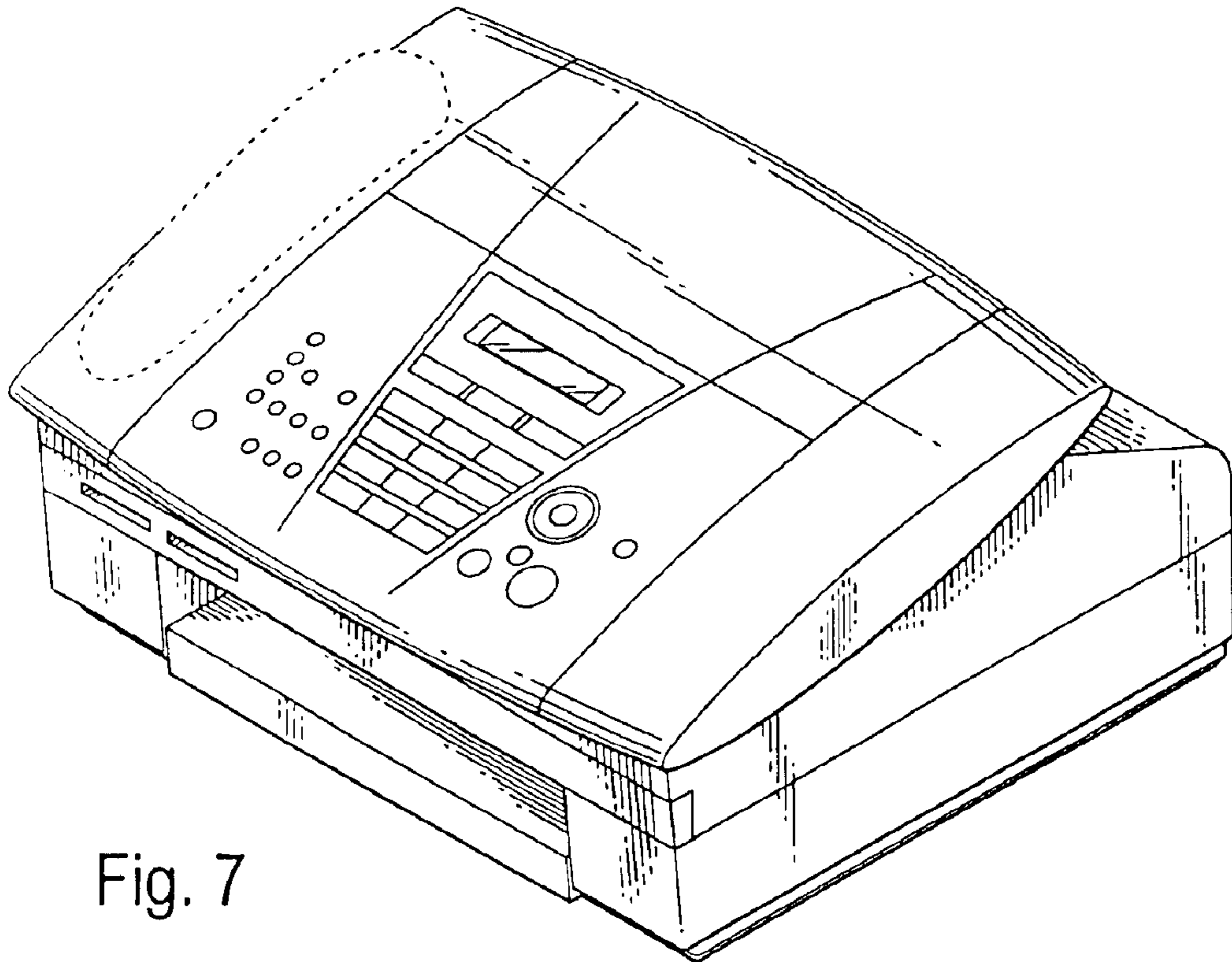


Fig. 7

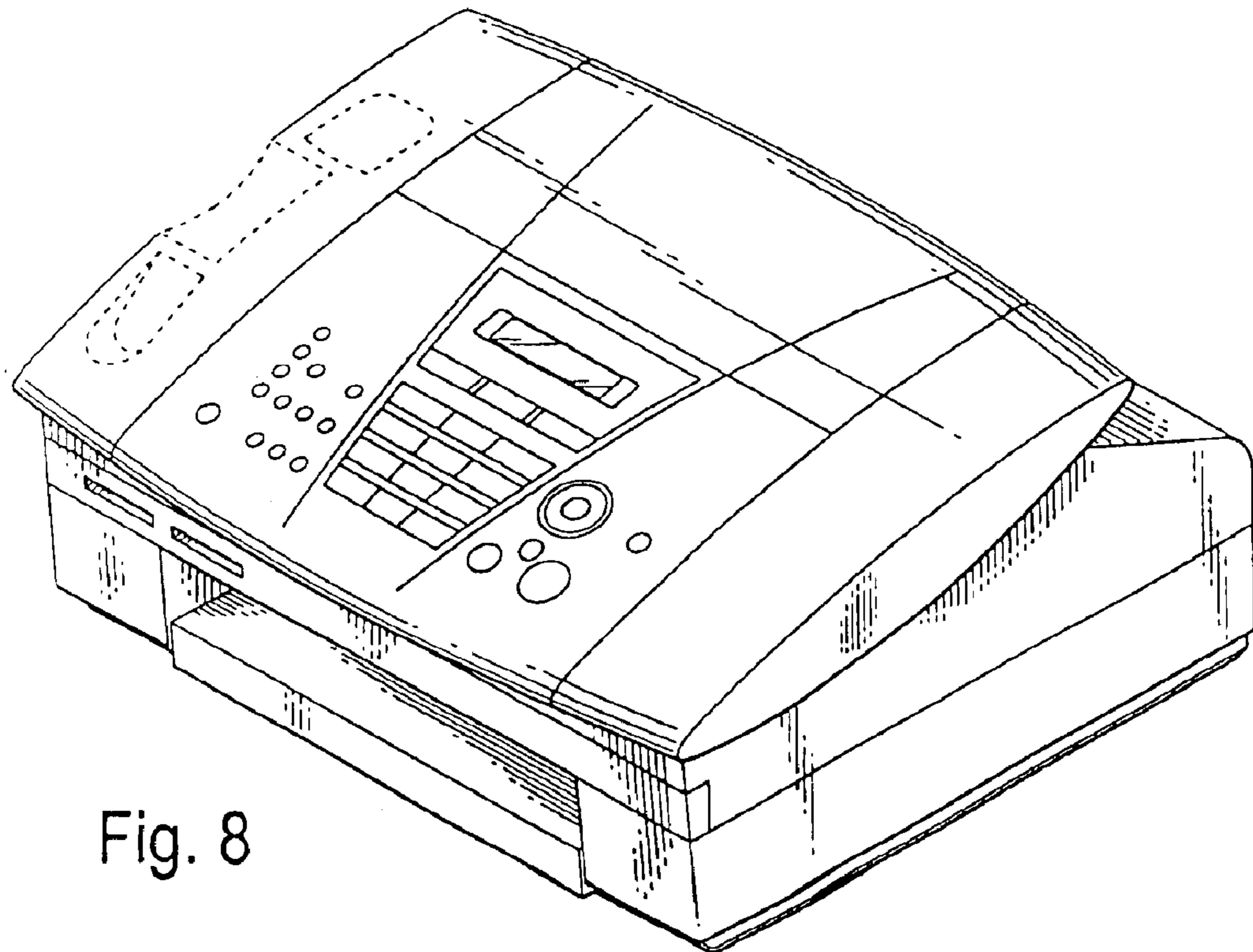


Fig. 8

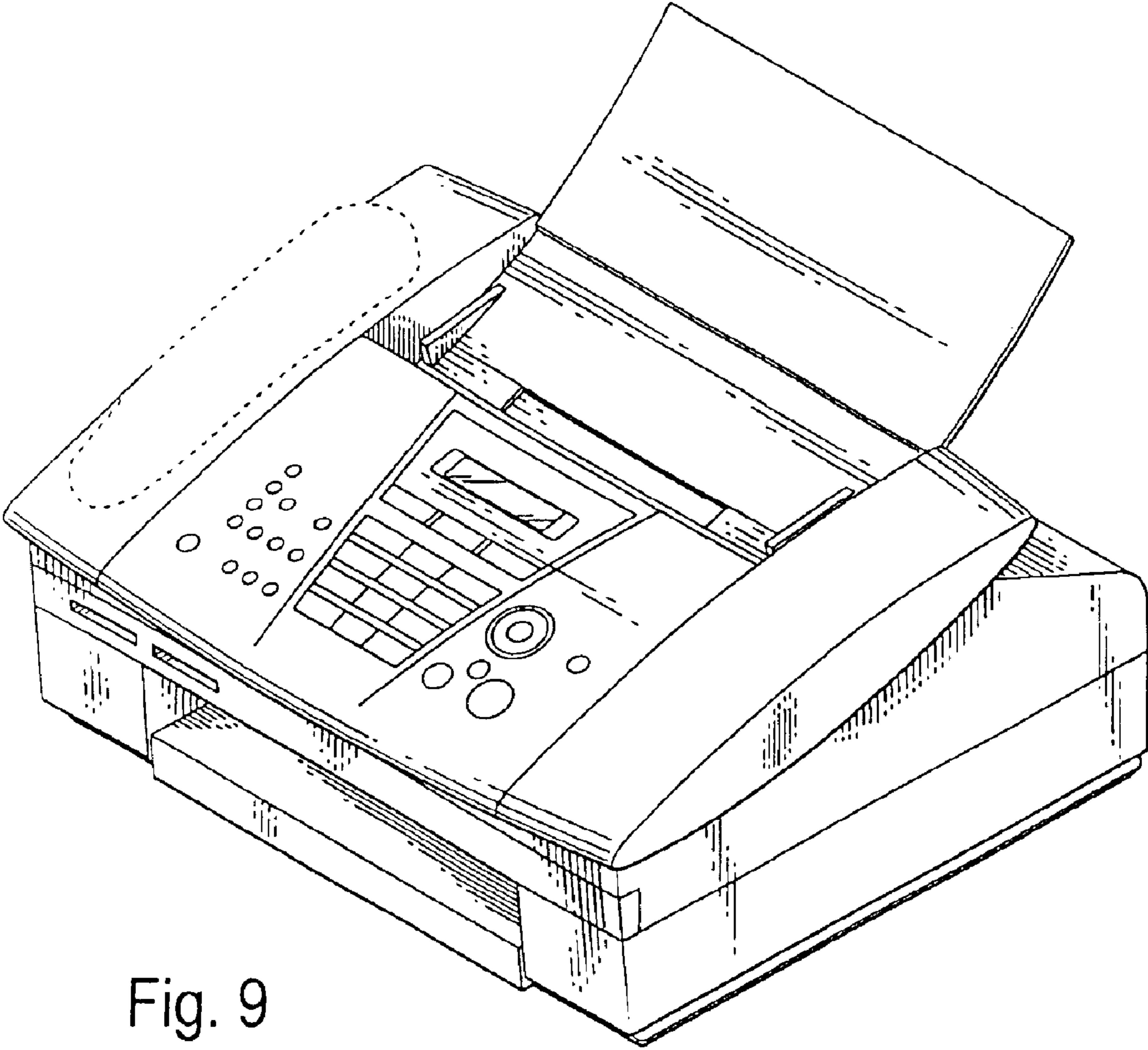


Fig. 9