

US00D508054S

(12) **United States Design Patent**
Ramsey

(10) **Patent No.:** **US D508,054 S**
(45) **Date of Patent:** **** Aug. 2, 2005**

(54) **DISPLAY DEVICE FOR A COMPUTER MONITOR**

(76) Inventor: **Mike Ramsey**, P.O. Box 97, Hindsville, AR (US) 72738

(**) Term: **14 Years**

(21) Appl. No.: **29/204,060**

(22) Filed: **Apr. 26, 2004**

(51) **LOC (8) Cl.** **14-02**

(52) **U.S. Cl.** **D14/448**

(58) **Field of Search** D14/432, 448-450;
40/594, 733; 312/234; 248/442.2

(56) **References Cited**

U.S. PATENT DOCUMENTS

5,549,267	A	8/1996	Armbruster et al.	
5,564,209	A *	10/1996	Zagnoli	40/594
5,638,096	A *	6/1997	Schwartz	248/442.2
D381,642	S *	7/1997	Kiger et al.	D14/450
D408,802	S	4/1999	Hernandez	
5,890,309	A	4/1999	Markarian	
5,988,582	A	11/1999	Olivo	
6,347,471	B1	2/2002	Mirza	
6,412,744	B1	7/2002	Wollam et al.	

6,478,282 B1 11/2002 Flemming

* cited by examiner

Primary Examiner—Freda S. Nunn
(74) *Attorney, Agent, or Firm*—Boyd D. Cox

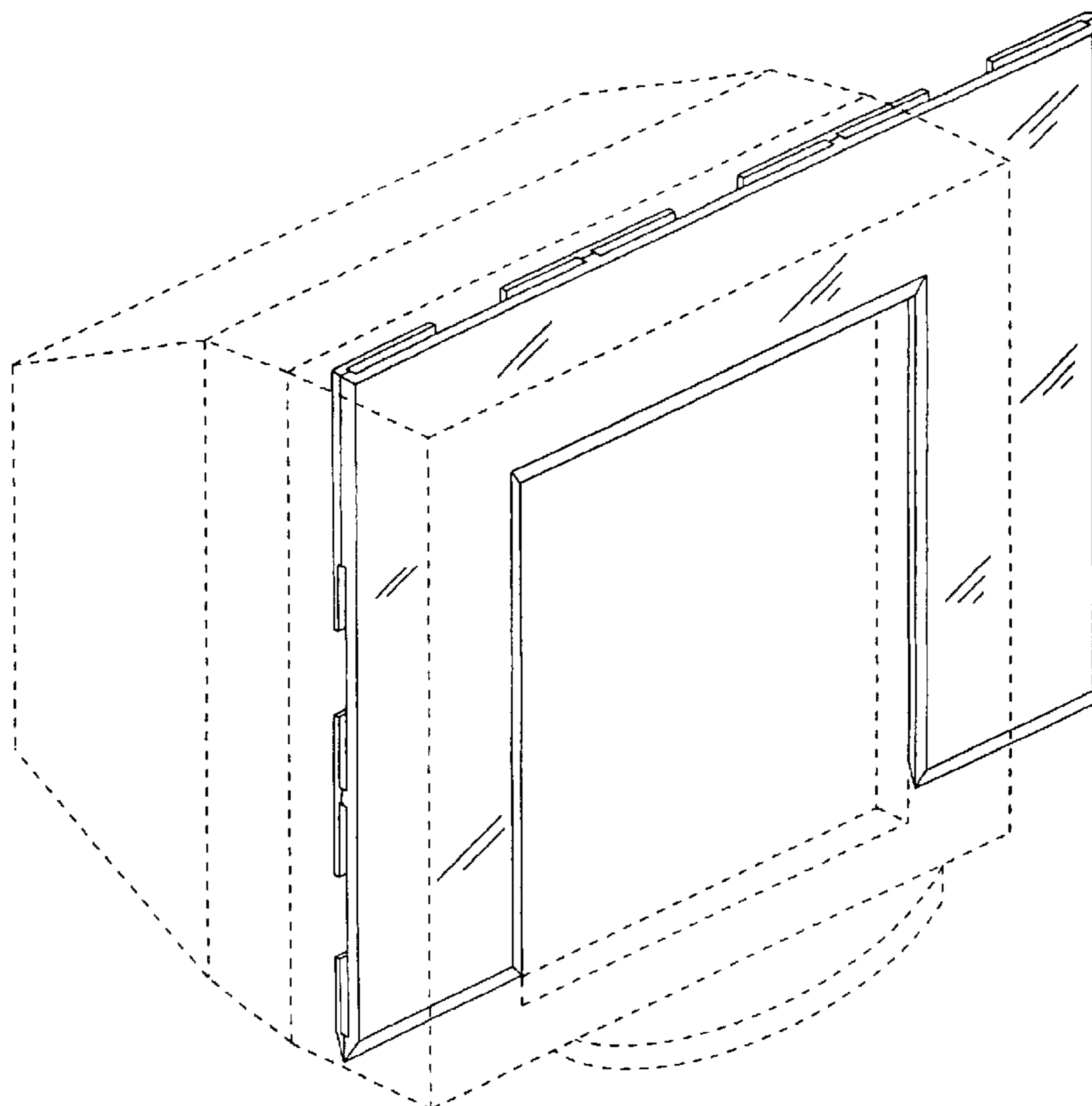
(57) **CLAIM**

The ornamental design of a display device for a computer monitor, as shown and described.

DESCRIPTION

FIG. 1 is a perspective view of the display device for a computer monitor of the present invention, wherein a computer monitor is shown in broken lines for illustrative purposes only and forms no part of the claimed design; FIG. 2 is a front elevational view of the display device for a computer monitor of FIG. 1; FIG. 3 is a back elevational view of the display device for a computer monitor of FIG. 1; FIG. 4 is a right side elevational view of the display device for a computer monitor of FIG. 1, the left side being a mirror image thereof; FIG. 5 is a top plan view of the display device for a computer monitor of FIG. 1; and, FIG. 6 is a bottom plan view of the display device for a computer monitor of FIG. 1.

1 Claim, 4 Drawing Sheets



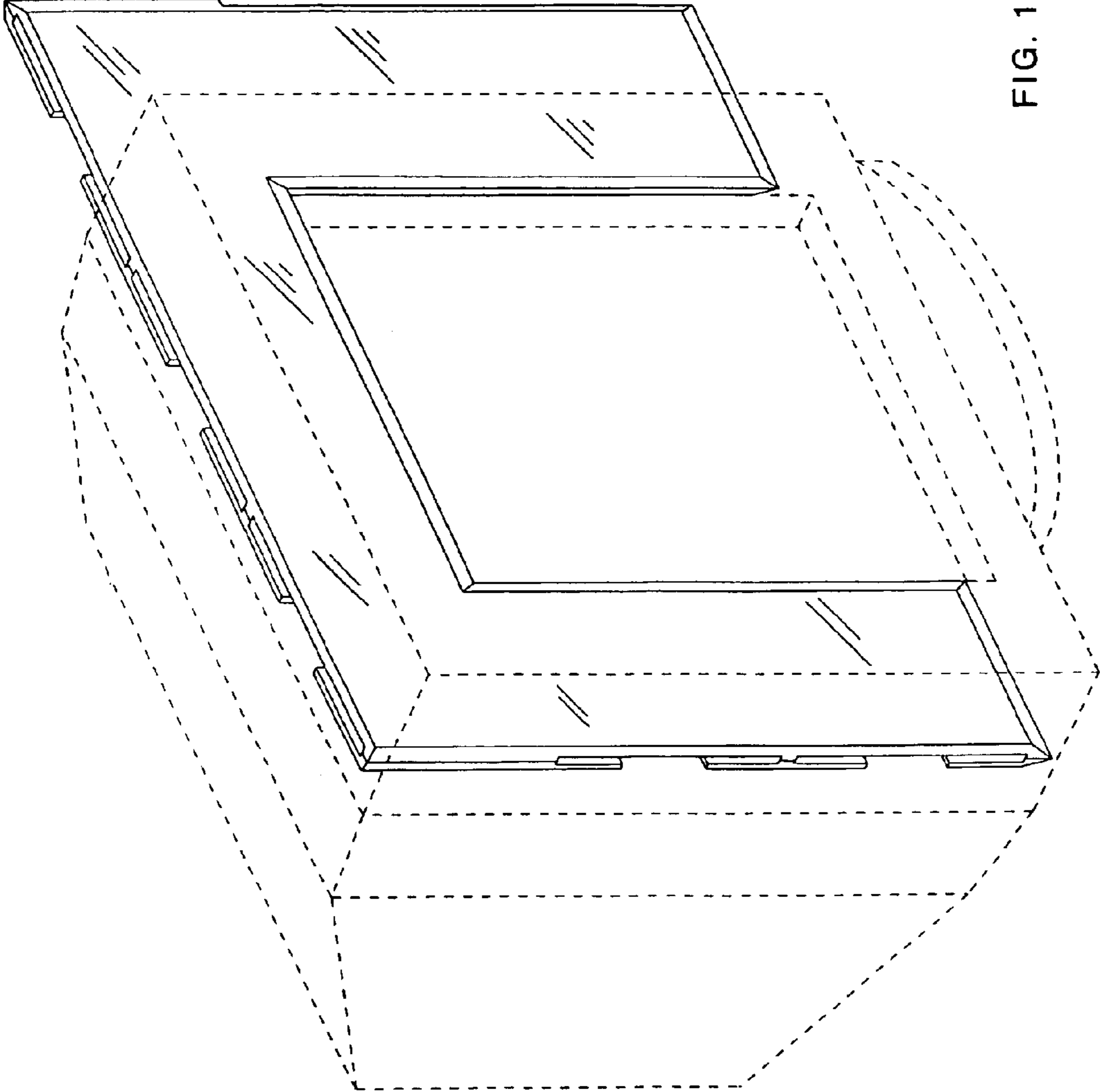


FIG. 1

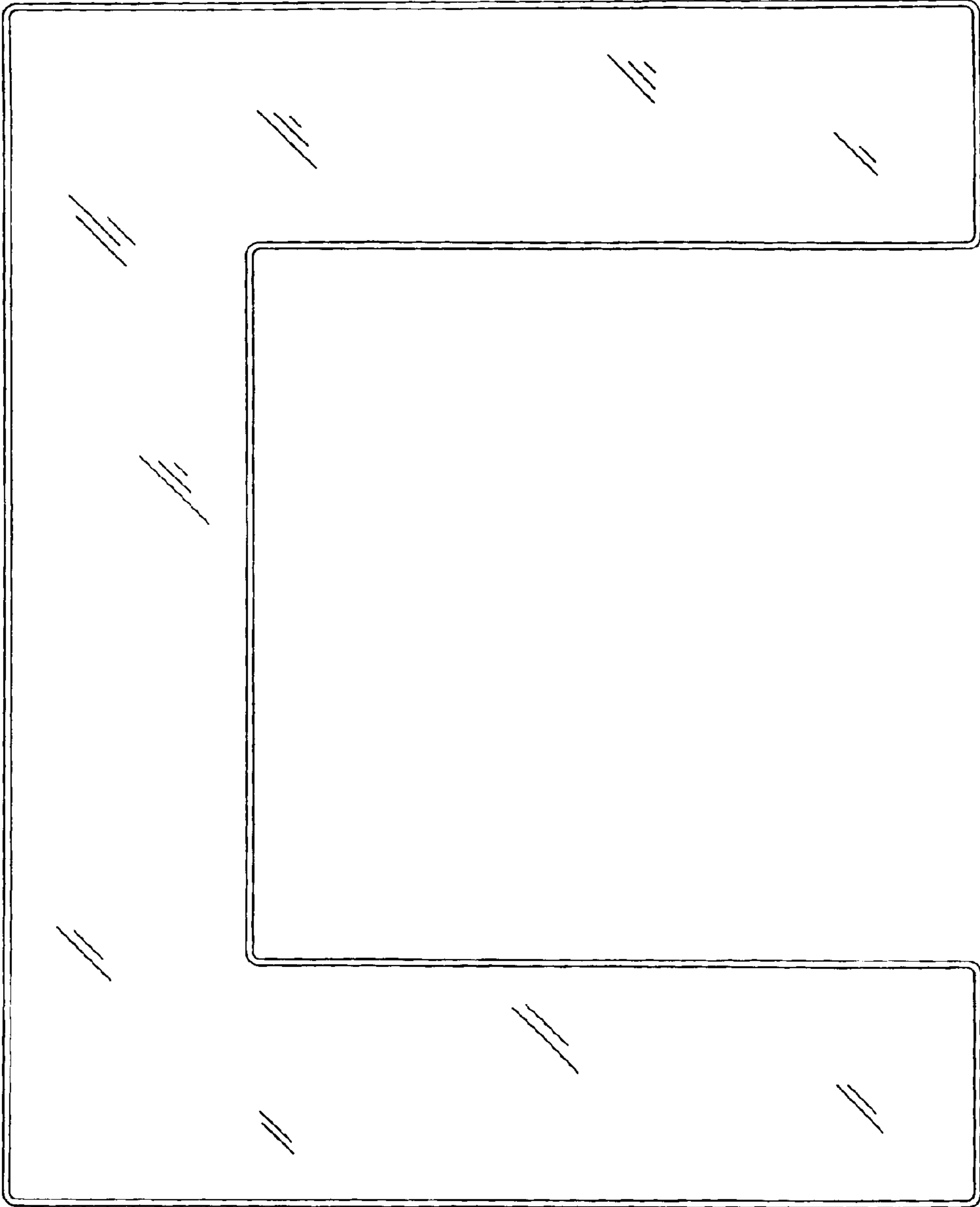


FIG. 2

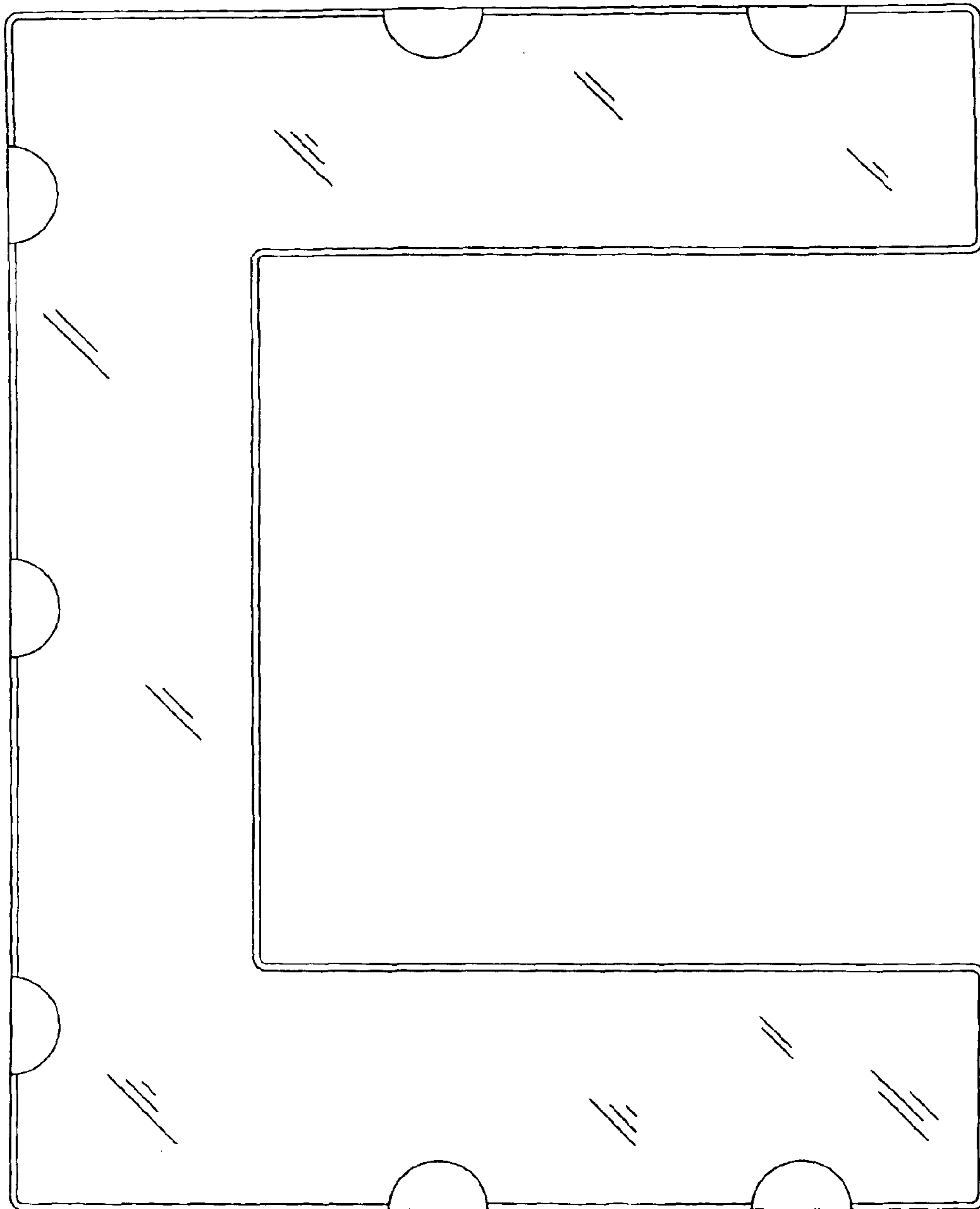


FIG. 3



FIG. 5

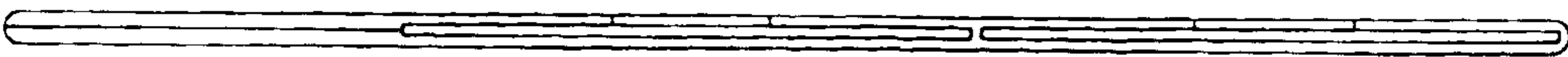


FIG. 4



FIG. 6