

US00D508052S

(12) **United States Design Patent**
Kit et al.

(10) **Patent No.:** **US D508,052 S**

(45) **Date of Patent:** **** Aug. 2, 2005**

(54) **JOY STICK WITH ROTATIONAL ELEMENT**

D431,604 S * 10/2000 Chan D21/329

(75) Inventors: **Donny Leung Chi Kit**, Yuen Long (HK); **Lee Wan Tat**, North Point (HK)

* cited by examiner

Primary Examiner—Prabhakar Deshmukh

(73) Assignee: **Vtech Electronics Ltd.**, Tai Po N.T. (HK)

(74) *Attorney, Agent, or Firm*—Greenberg Traurig LLP

(**) Term: **14 Years**

(57) **CLAIM**

The ornamental design for joy stick with rotational element, as shown and described.

(21) Appl. No.: **29/192,068**

DESCRIPTION

(22) Filed: **Oct. 17, 2003**

(51) **LOC (8) Cl.** **14-02**

(52) **U.S. Cl.** **D14/413**

(58) **Field of Search** D14/412–416,
D14/454, 432; 273/148 B; D21/324, 328,
333; 463/1, 29–35, 46, 47; 74/471 XY,
523; 345/156, 161

FIG. 1 is a side perspective view of the joy stick with rotational element the according to the invention, showing our new ornamental design;

FIG. 2 is a top plan view thereof; and

FIG. 3 is a bottom plan view thereof;

FIG. 4 is a front elevational view thereof;

FIG. 5 is a rear elevational view thereof;

FIG. 6 is a right side elevational view thereof;

FIG. 7 is a left side elevational view thereof;

FIG. 8 is a top plan view having the joy stick with the rotational element in an alternative position;

FIG. 9 is a top plan view having the joy stick with the rotational element in another position;

FIG. 10 is a top plan view having the joy stick with the rotational element in still another position; and,

FIG. 11 is a top plan view having the joy stick with the rotational element in a fully rotated position.

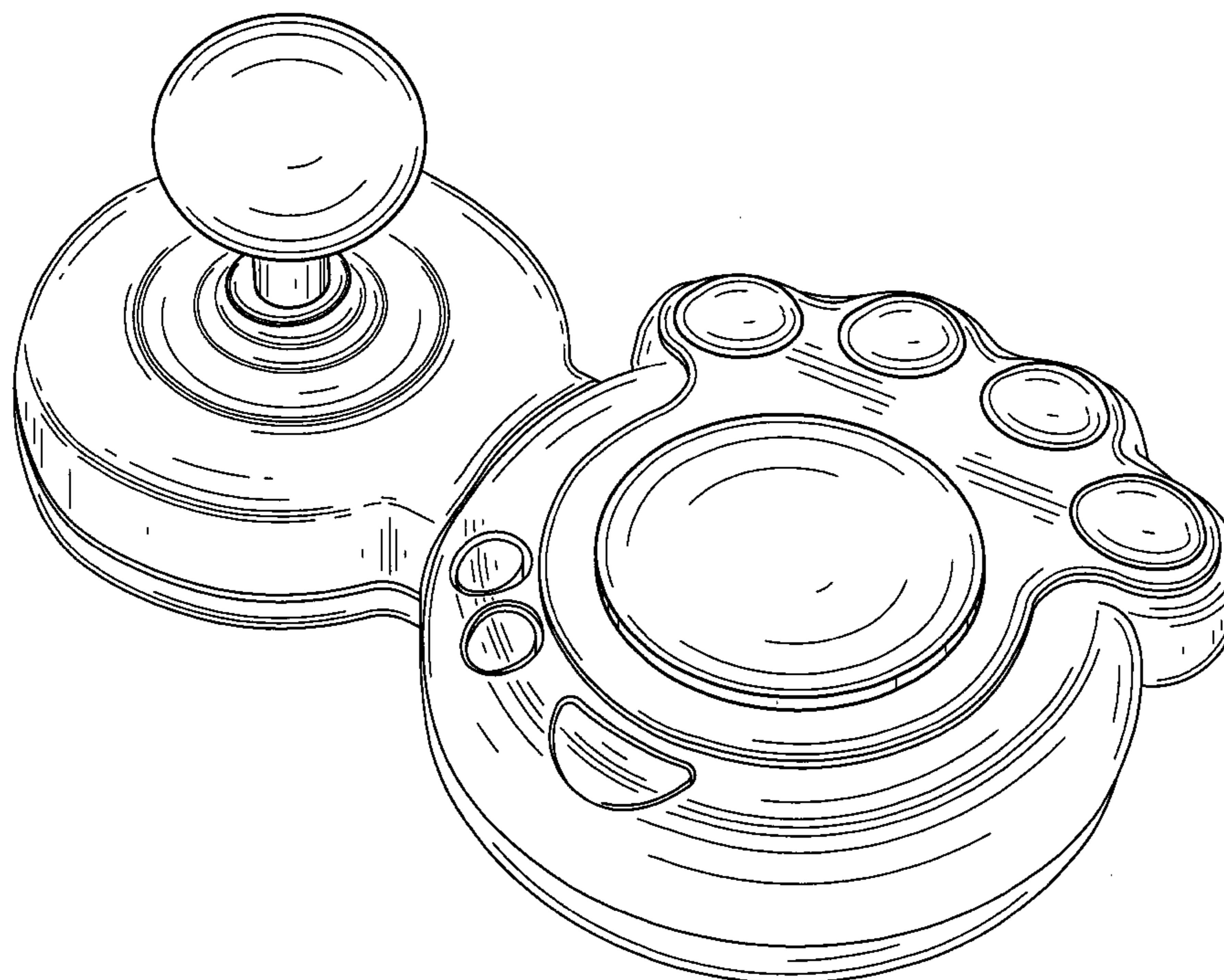
The broken lines are for illustrative purpose only and form no part of the claimed design. The drawing FIGS. 8–11 are drawn in reduced scale.

(56) **References Cited**

U.S. PATENT DOCUMENTS

4,870,389	A	*	9/1989	Ishiwata et al.	463/38
5,113,714	A	*	5/1992	Eklund et al.	74/471 XY
5,207,426	A	*	5/1993	Inoue et al.	463/36
D342,763	S	*	12/1993	Tse	D14/413
D375,765	S	*	11/1996	Kawasaki	D14/413
D378,302	S	*	3/1997	Kin-Man Tse	D14/413
5,786,807	A	*	7/1998	Couch et al.	345/161
D409,182	S	*	5/1999	Tyler	D14/413
5,923,317	A	*	7/1999	Sayler et al.	345/156
D414,761	S	*	10/1999	Oikawa et al.	D14/413
D428,012	S	*	7/2000	Cavacuiti et al.	D14/413

1 Claim, 8 Drawing Sheets



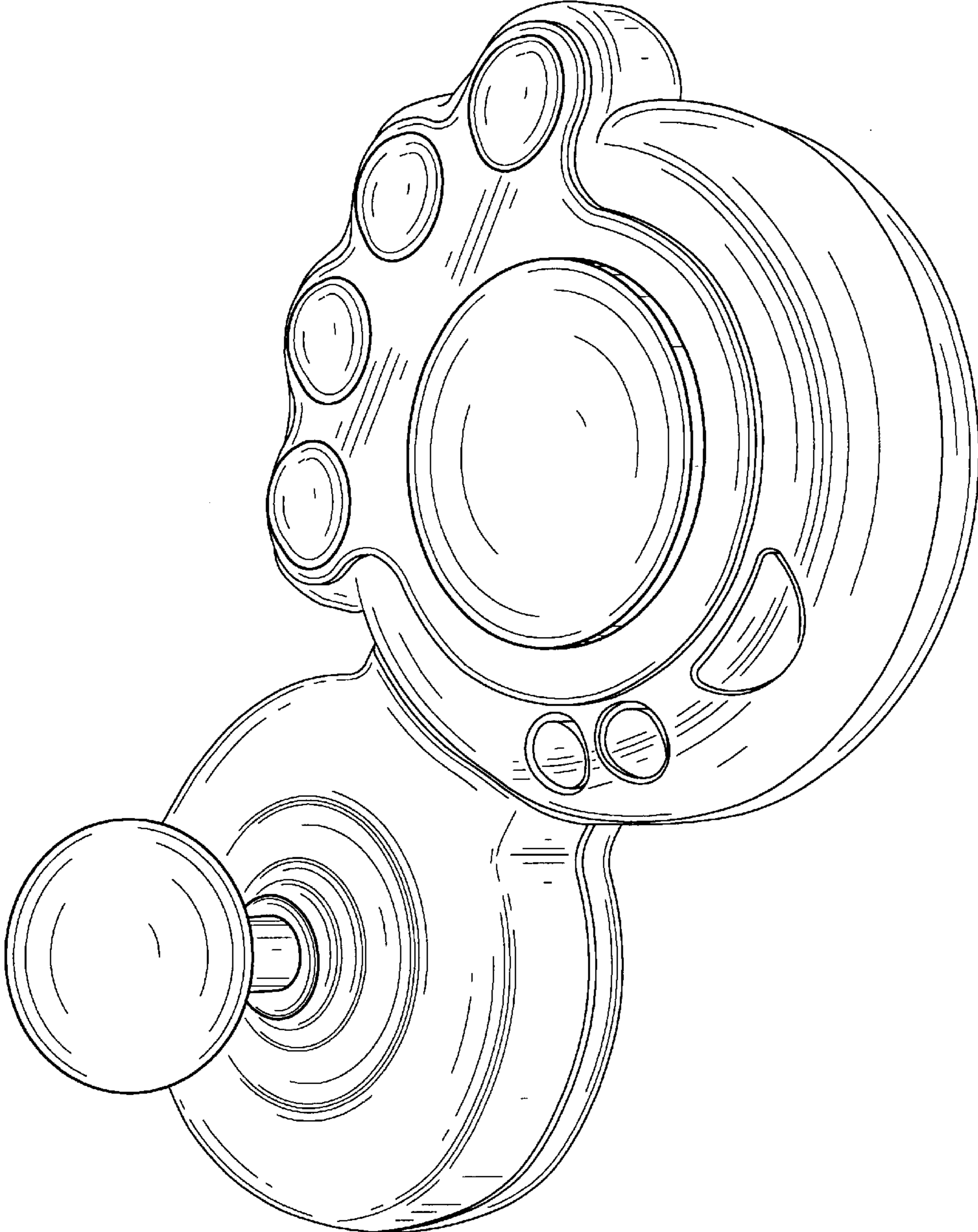


FIG. 1

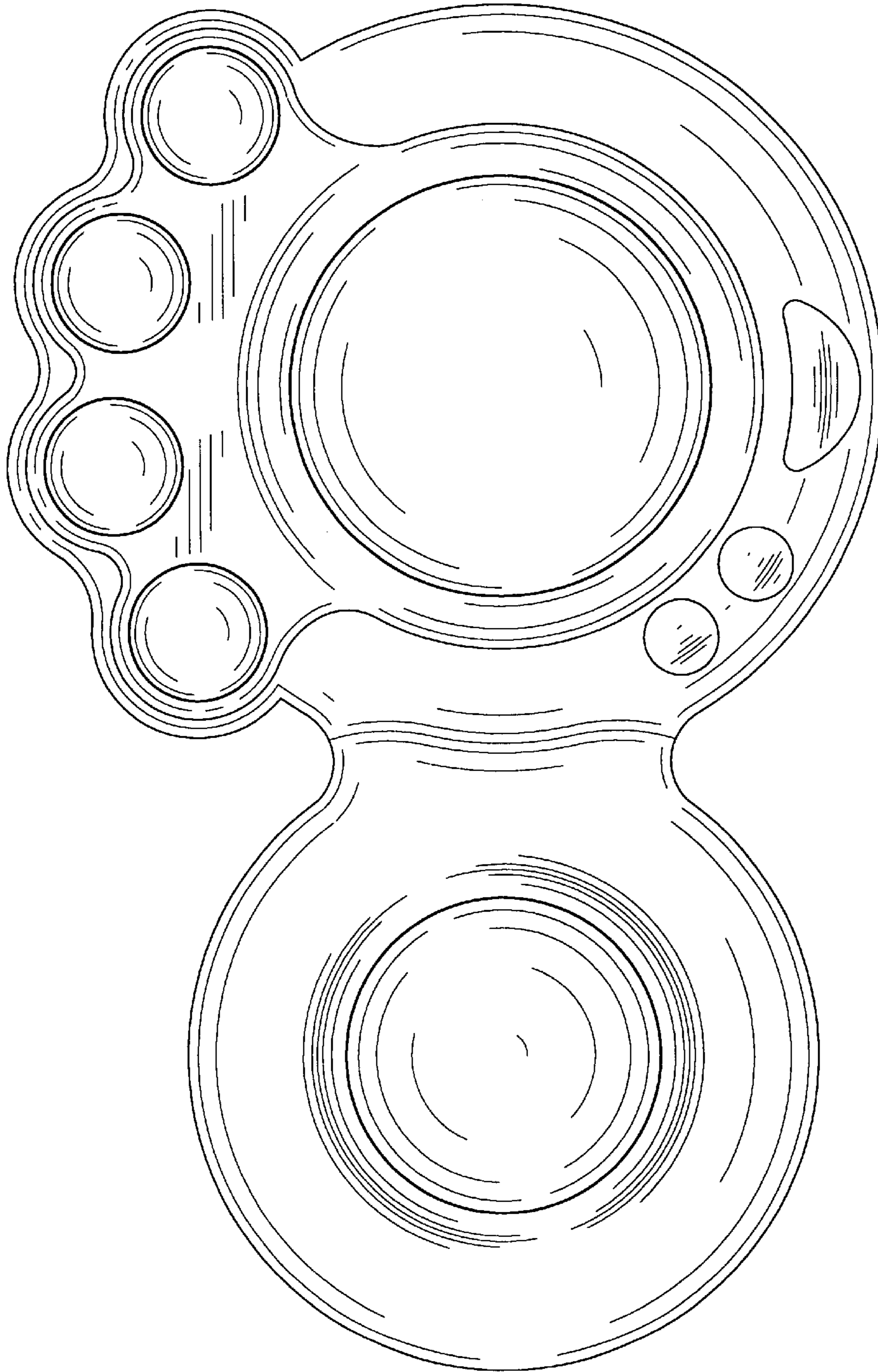


FIG. 2

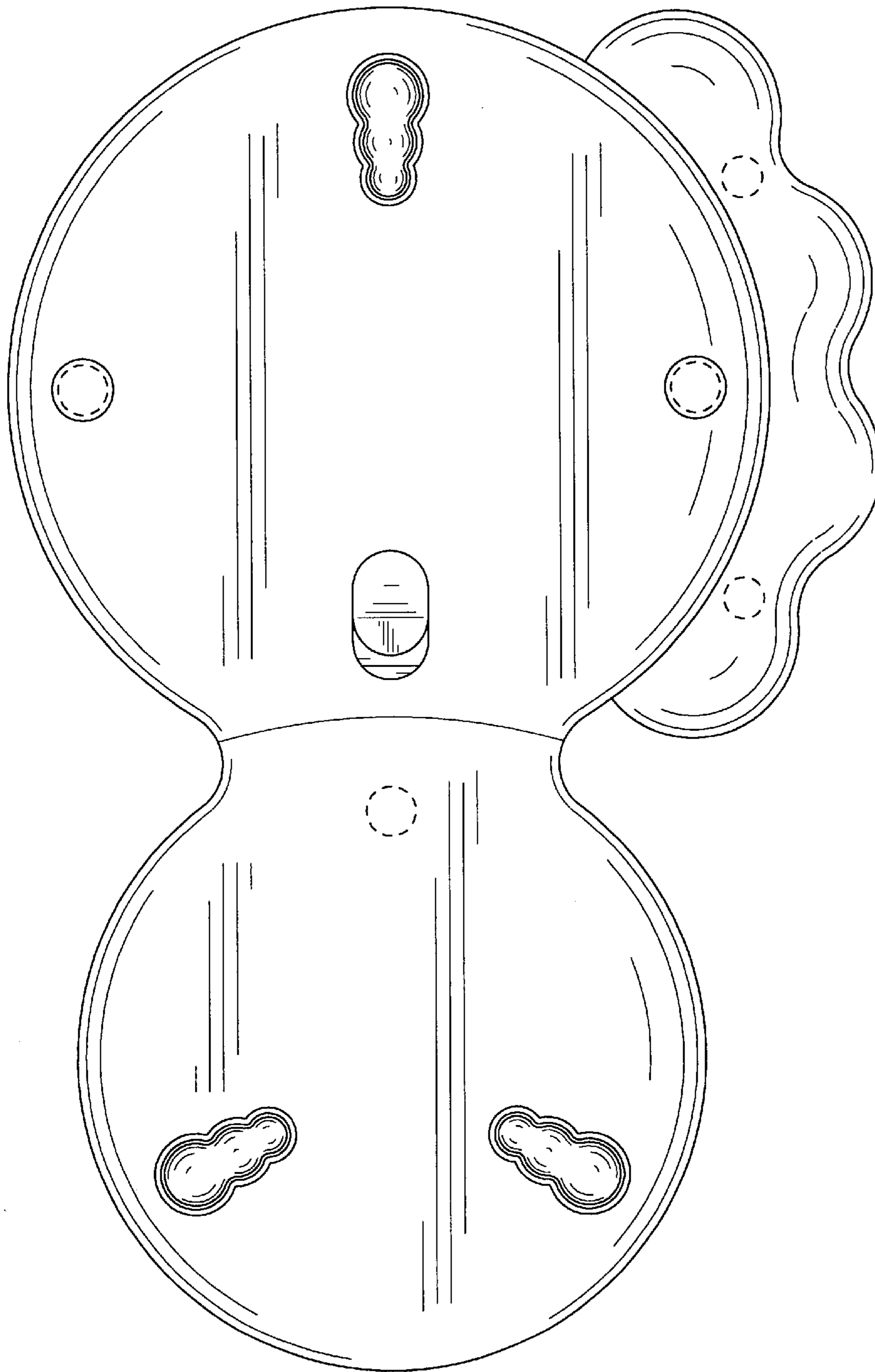


FIG. 3

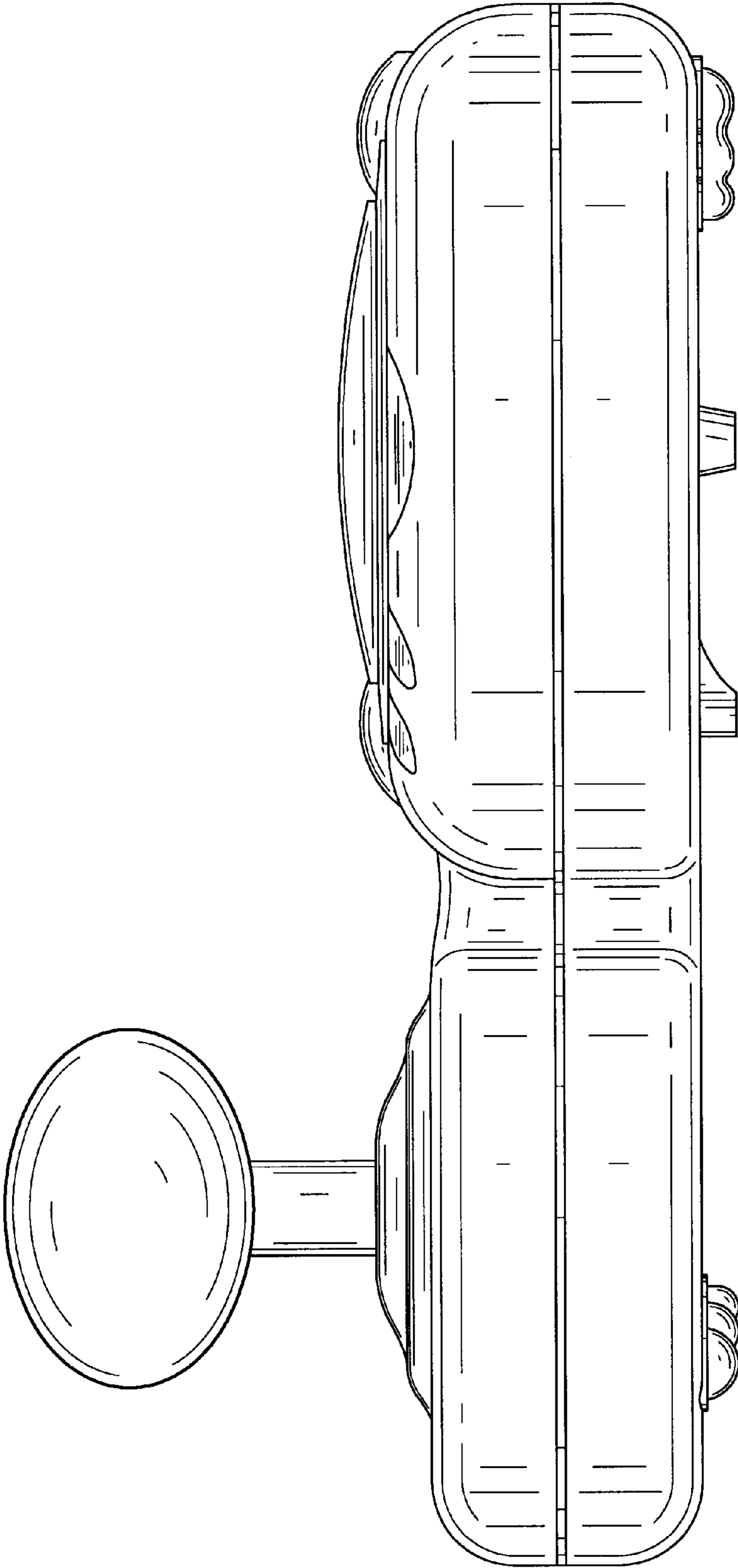


FIG. 4

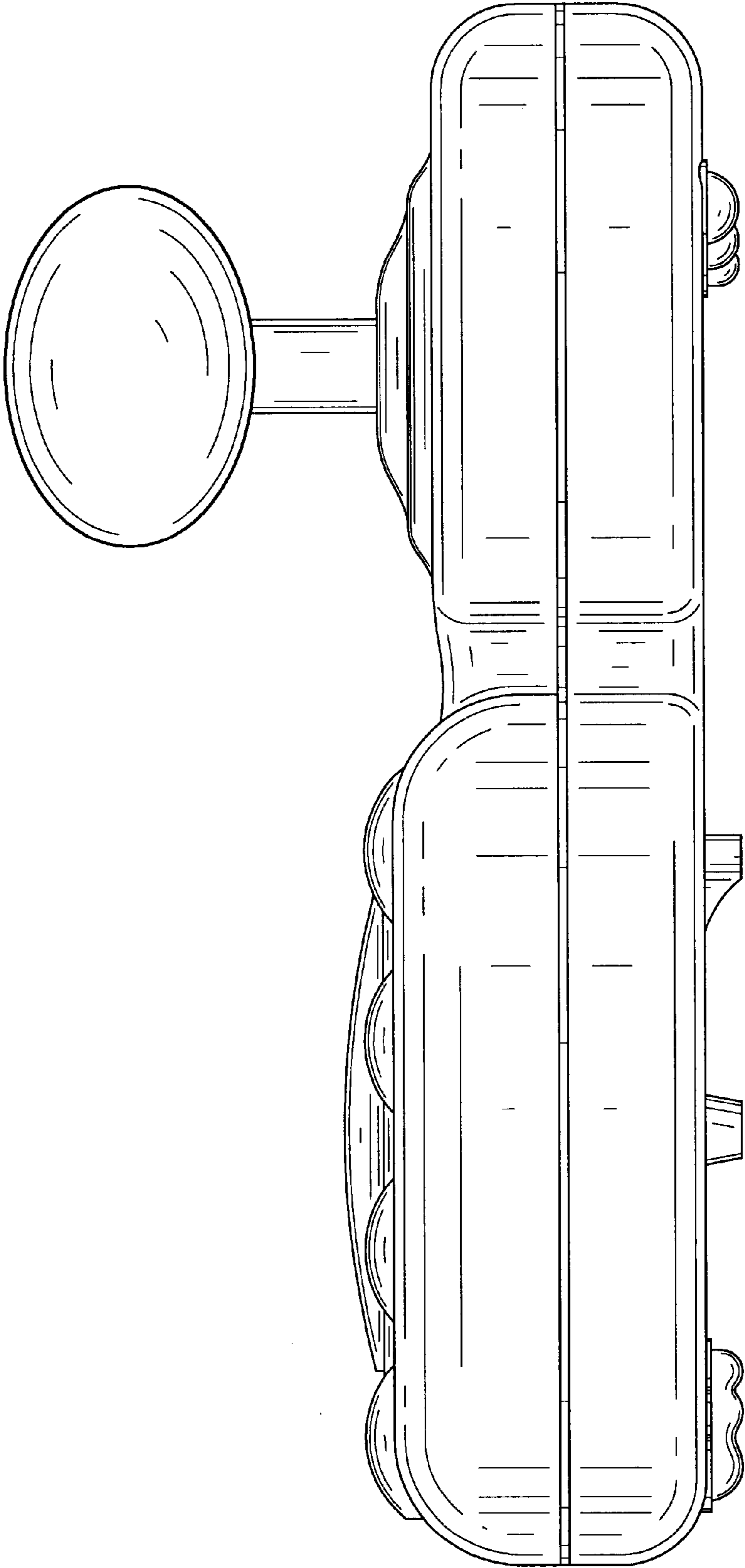


FIG. 5

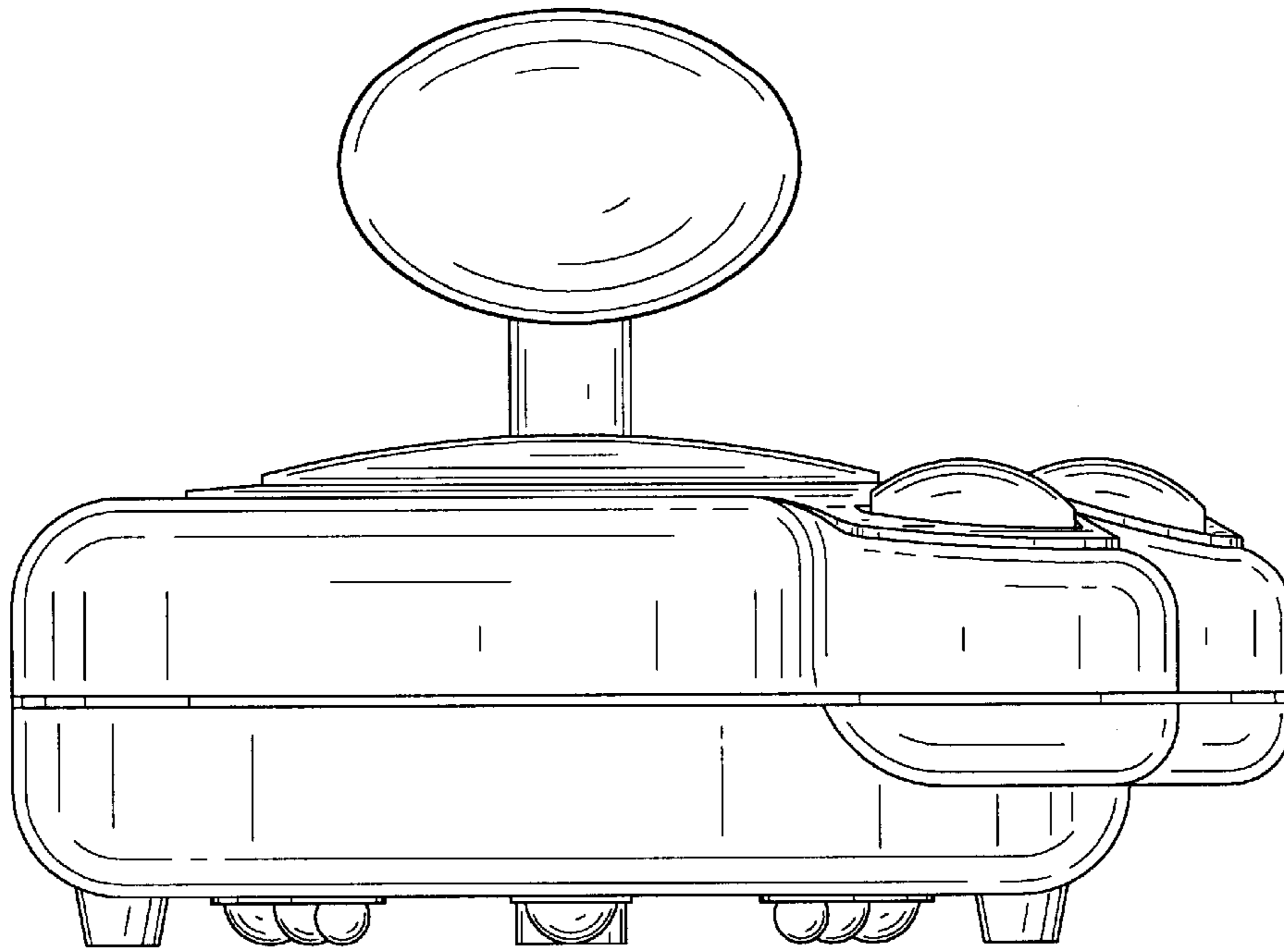


FIG. 6

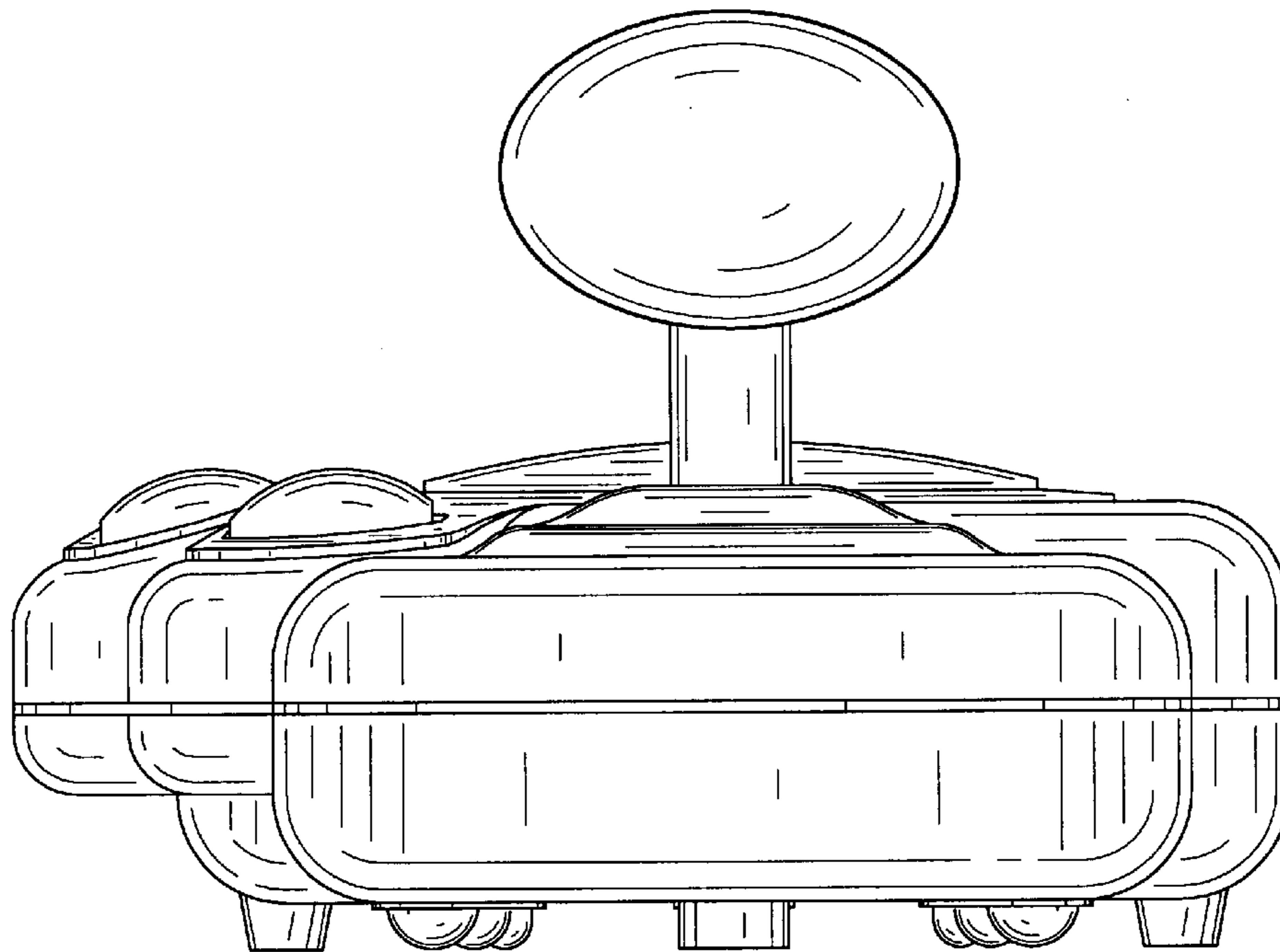


FIG. 7

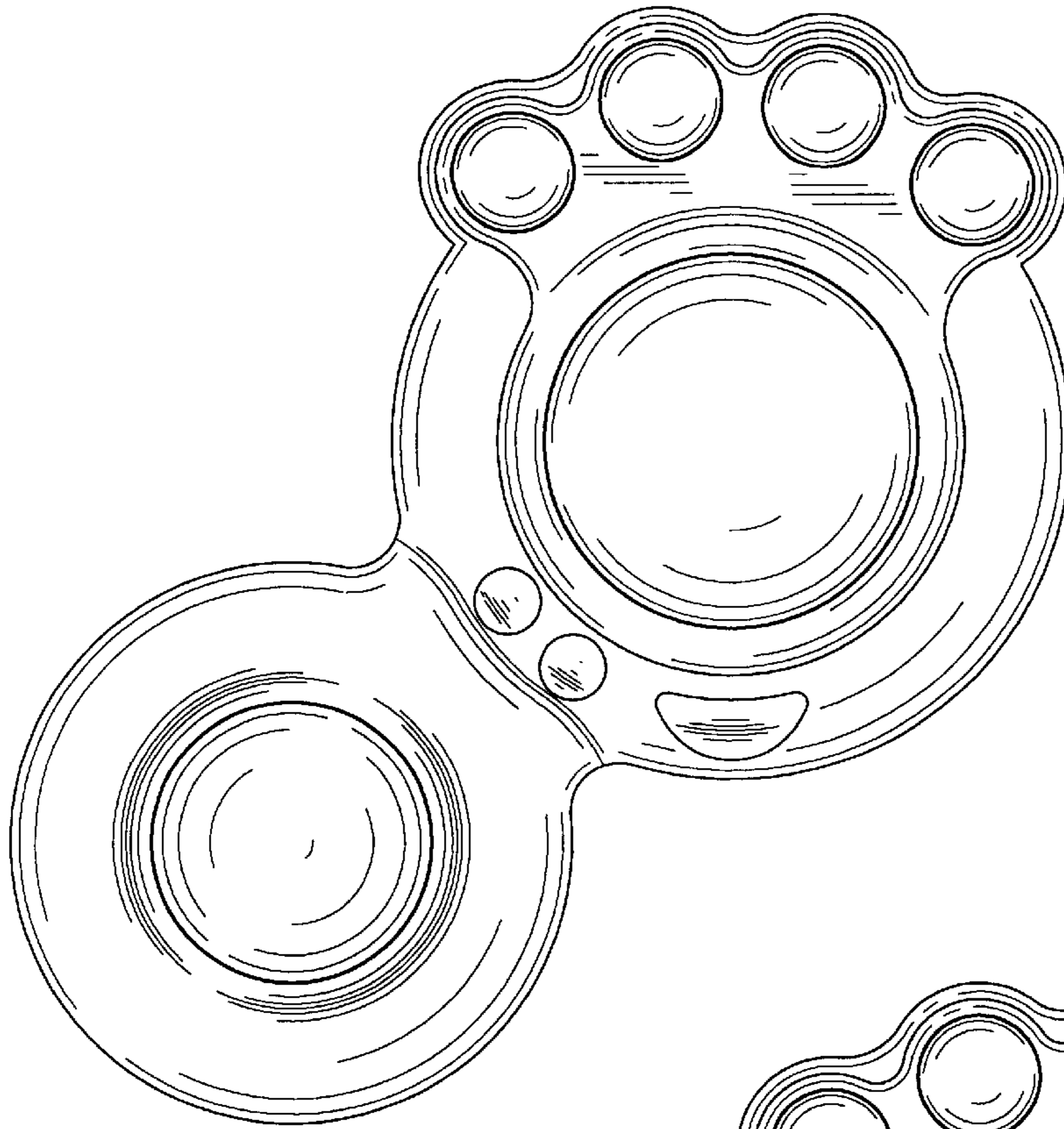


FIG. 8

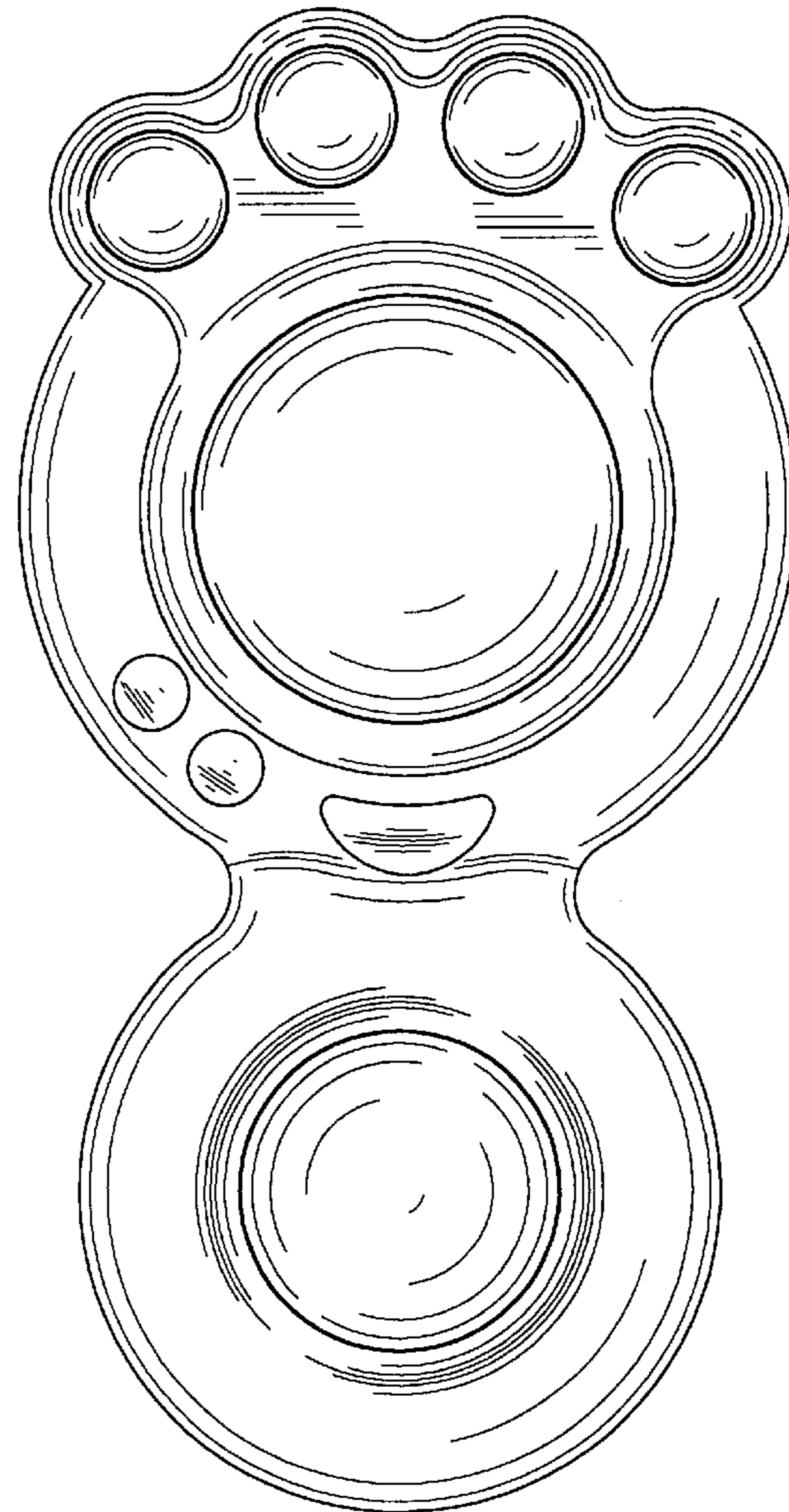


FIG. 9

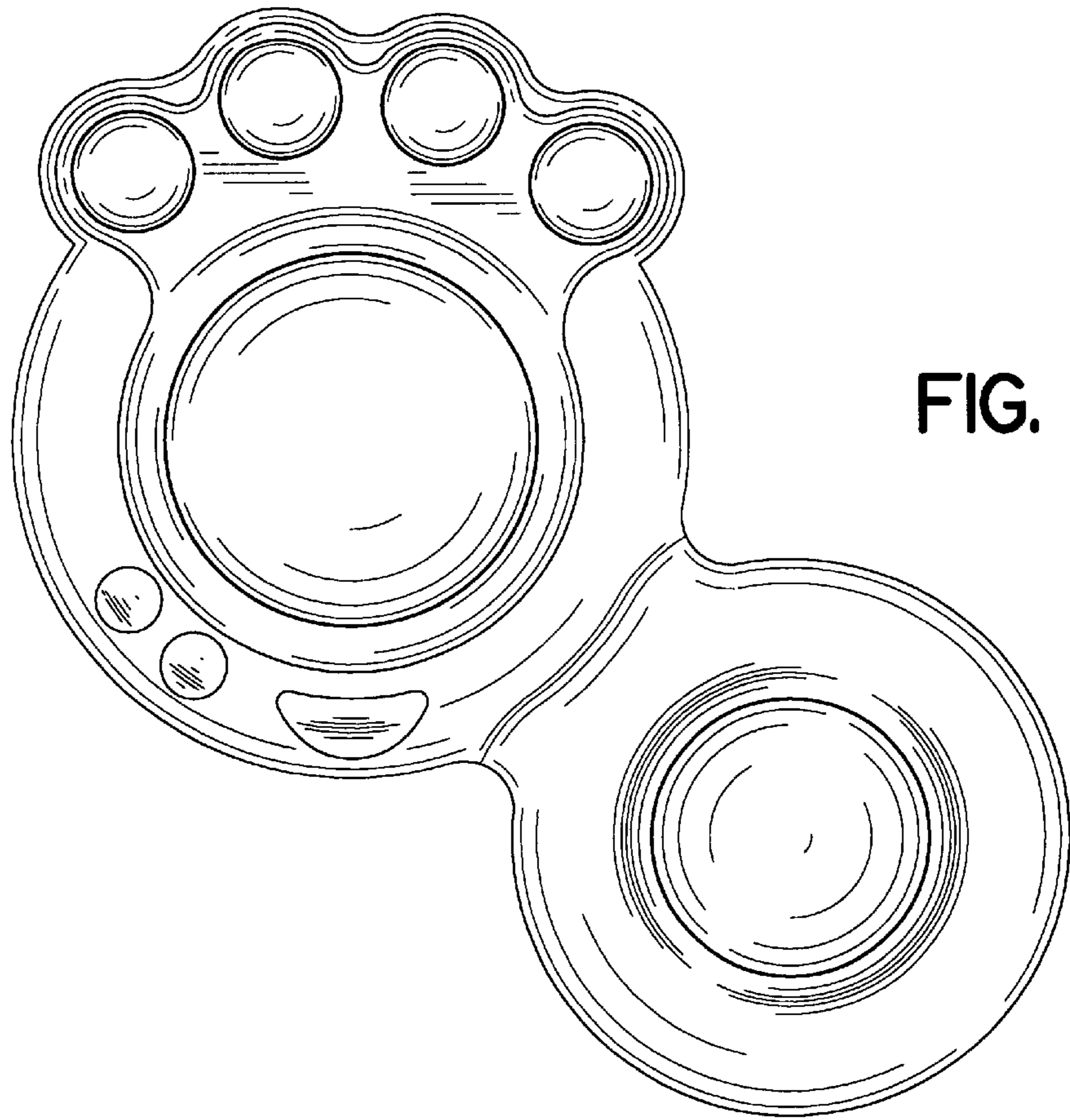


FIG. 10

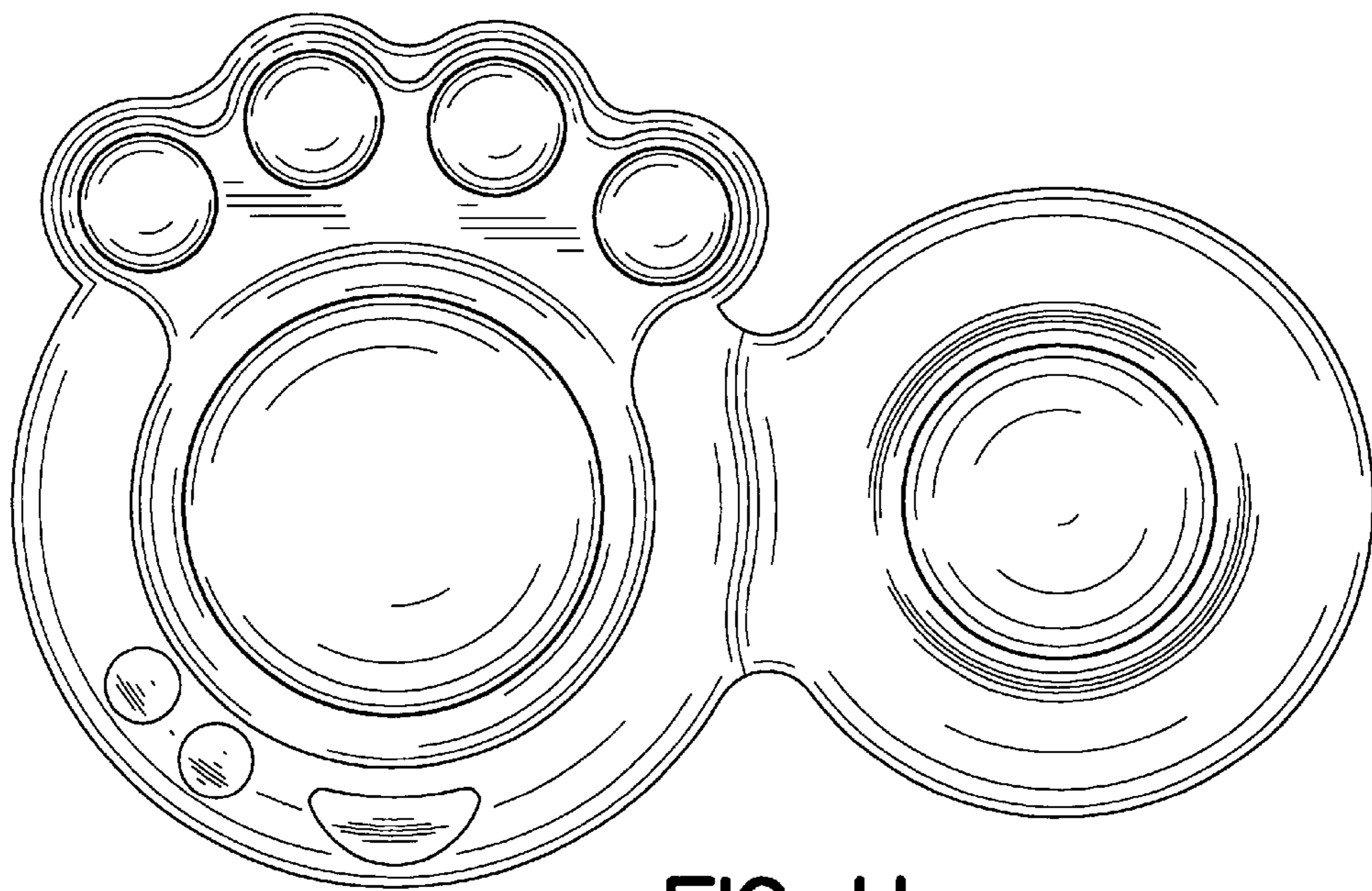


FIG. 11