

US00D508046S

(12) **United States Design Patent**
Suzuki

(10) **Patent No.:** **US D508,046 S**

(45) **Date of Patent:** **** Aug. 2, 2005**

(54) **DISC PLAYER**

(75) Inventor: **Akio Suzuki**, Tokyo (JP)

(73) Assignee: **Sony Corporation**, Tokyo (JP)

(**) Term: **14 Years**

(21) Appl. No.: **29/208,666**

(22) Filed: **Jul. 2, 2004**

(51) **LOC (8) Cl.** **14-01**

(52) **U.S. Cl.** **D14/258**

(58) **Field of Search** D14/445, 260.1,
D14/258, 257, 224, 217, 198, 197, 196,
195, 194, 193, 192, 188, 168, 167, 156,
136, 191, 157, 240; D12/415, 420; 455/344,
350, 347; 248/27.3, 27.1, 558

(56) **References Cited**

U.S. PATENT DOCUMENTS

D311,404 S	*	10/1990	Repasky	D14/258
D376,147 S	*	12/1996	Jeon	D14/157
D391,958 S	*	3/1998	Miyazawa et al.	D14/157
D438,193 S		2/2001	Hakoda		
D442,602 S	*	5/2001	Jean et al.	D14/445
D444,136 S		6/2001	Sogabe		
D446,510 S	*	8/2001	Hori et al.	D14/157
D448,014 S	*	9/2001	Hori et al.	D14/157
D449,599 S		10/2001	Hakoda		
D450,317 S	*	11/2001	Uehara	D14/257
D450,678 S	*	11/2001	Mizokawa et al.	D14/157
D463,394 S		9/2002	Sogabe		
D479,524 S	*	9/2003	Nara	D14/258
D479,713 S		9/2003	Sadatsuki		
D480,701 S	*	10/2003	Sogabe	D14/156
D481,373 S	*	10/2003	Sogabe	D14/168
D483,343 S	*	12/2003	Seshita	D14/157
D483,732 S	*	12/2003	Yoshihara	D14/157
D487,447 S	*	3/2004	Sadatsuki	D14/156
D489,051 S	*	4/2004	Shiraki et al.	D14/156
D496,031 S	*	9/2004	Ma et al.	D14/240

D497,158 S	*	10/2004	Pietras et al.	D14/257
D500,303 S	*	12/2004	Riede et al.	D14/188

OTHER PUBLICATIONS

Car Audio Device: http://www.bizrate.com/marketplace/product_info/large_image_prod_id—11452912.html Jan. 19, 2005.*

Web page “CDX-CA710X” <http://www.xplodsony.com/products/?CATEGORY=CD&MD=CDX-CA710X>, 1 sheet, Sony (Dec. 2003).

Web page “CDX-M630” <http://www.xplodsony.com/products/?CATEGORY=CD&D=CDX-M630>, 1 sheet, Sony (Dec. 2003).

Web page “CDX-M850MP” http://www.sony.jp/products/me/contents/caraidop/lineup/cdx_m850mp.html, 1 sheet, Sony (Jun. 2004).

Web page “MDX-C5400X” <http://www.ecat.sony.cp.jp/car/caraudio/products/index.cfm?PD=537&KM=MDX-C5400X>, 1 sheet, Sony (Jun. 2004).

* cited by examiner

Primary Examiner—Joel A. Sincavage

Assistant Examiner—Austin Murphy

(74) *Attorney, Agent, or Firm*—Rader, Fishman & Grauer PLLC

(57) **CLAIM**

The ornamental design for a disc player, as shown and described.

DESCRIPTION

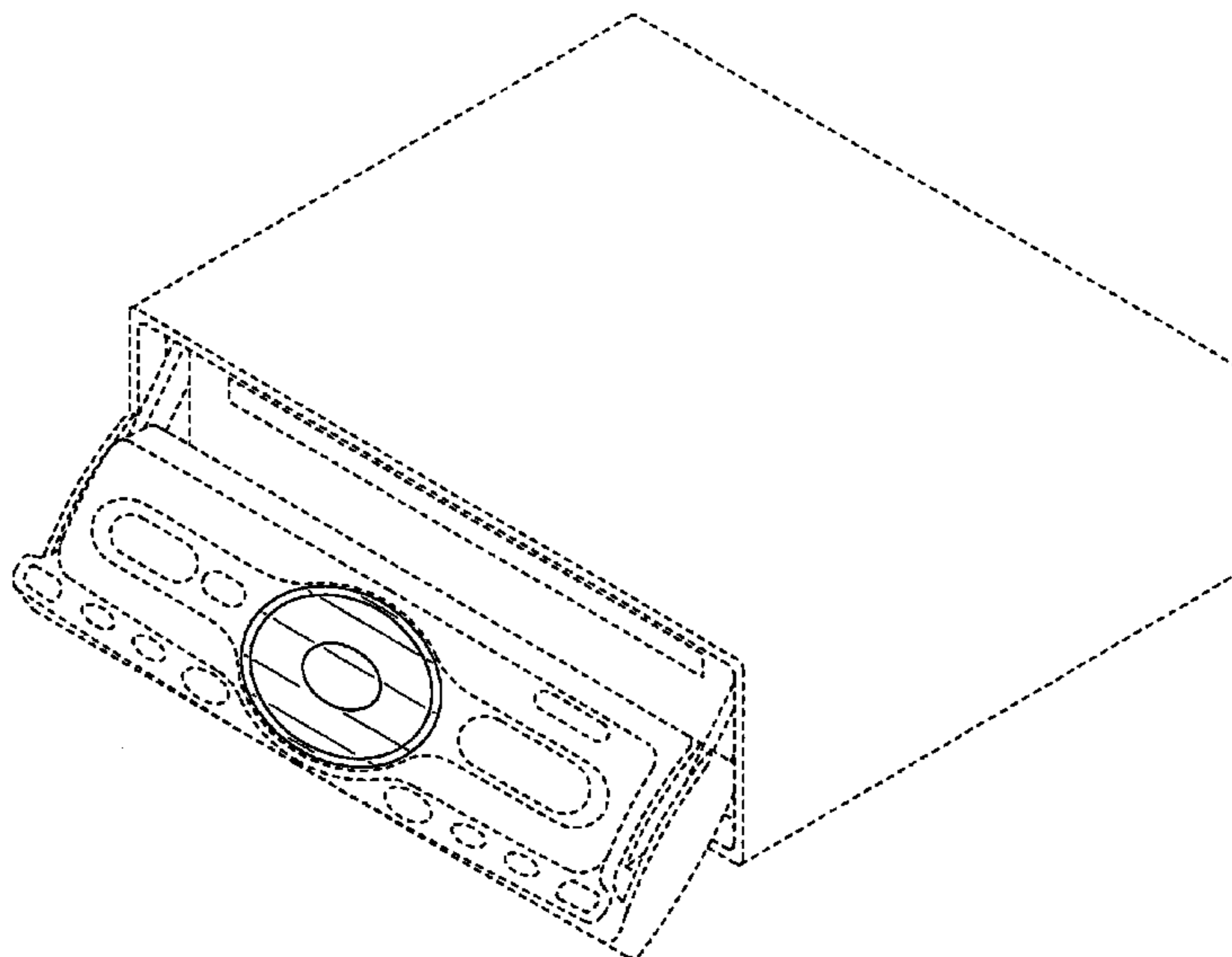
FIG. 1 is a perspective view of a disc player showing my new design;

FIG. 2 is a front elevational view thereof; and,

FIG. 3 is a top plan view thereof.

Portions of FIGS. 1-3 that are shown as broken lines are for illustrative purpose only and form no part of the claimed design.

1 Claim, 3 Drawing Sheets



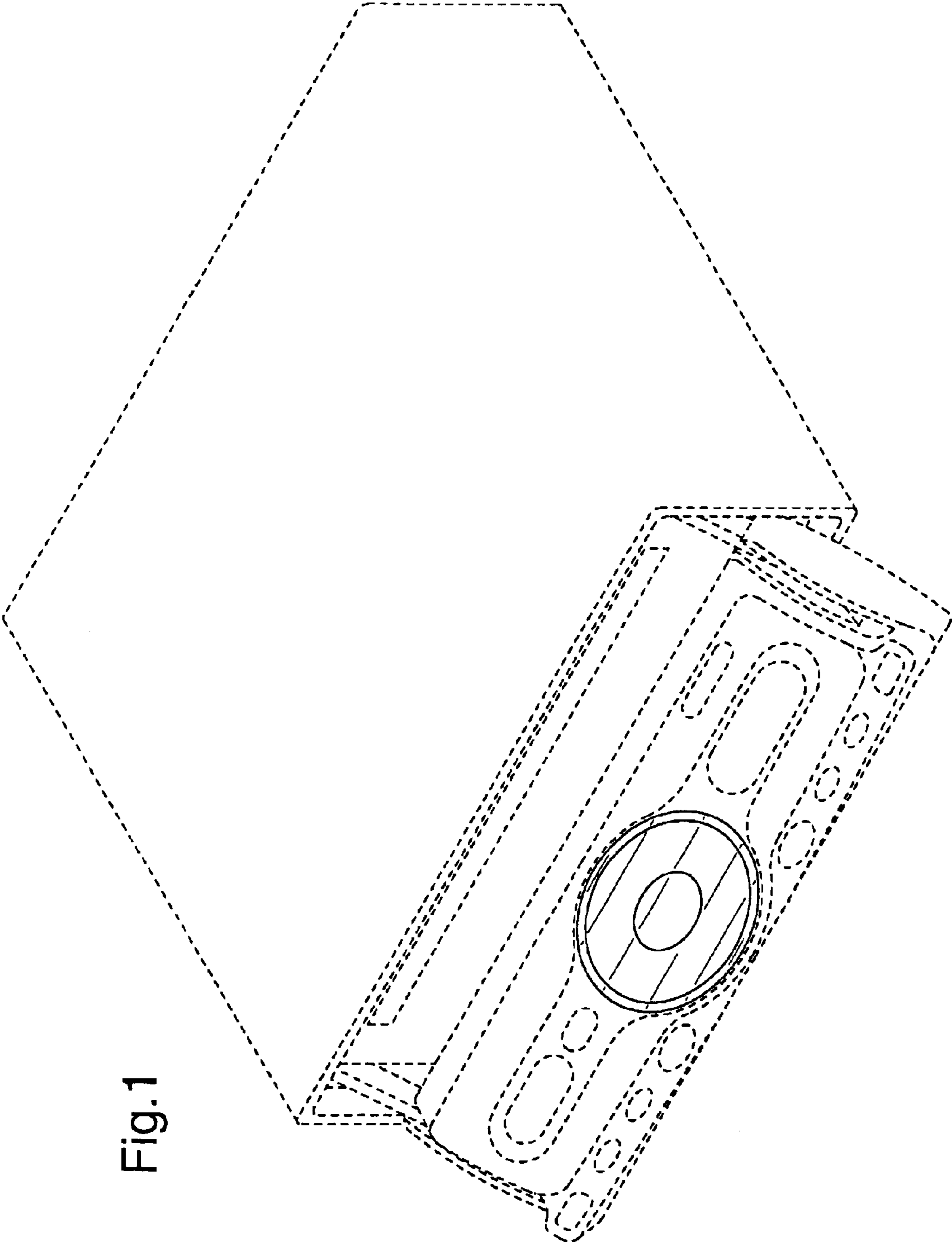


Fig.1

Fig.2

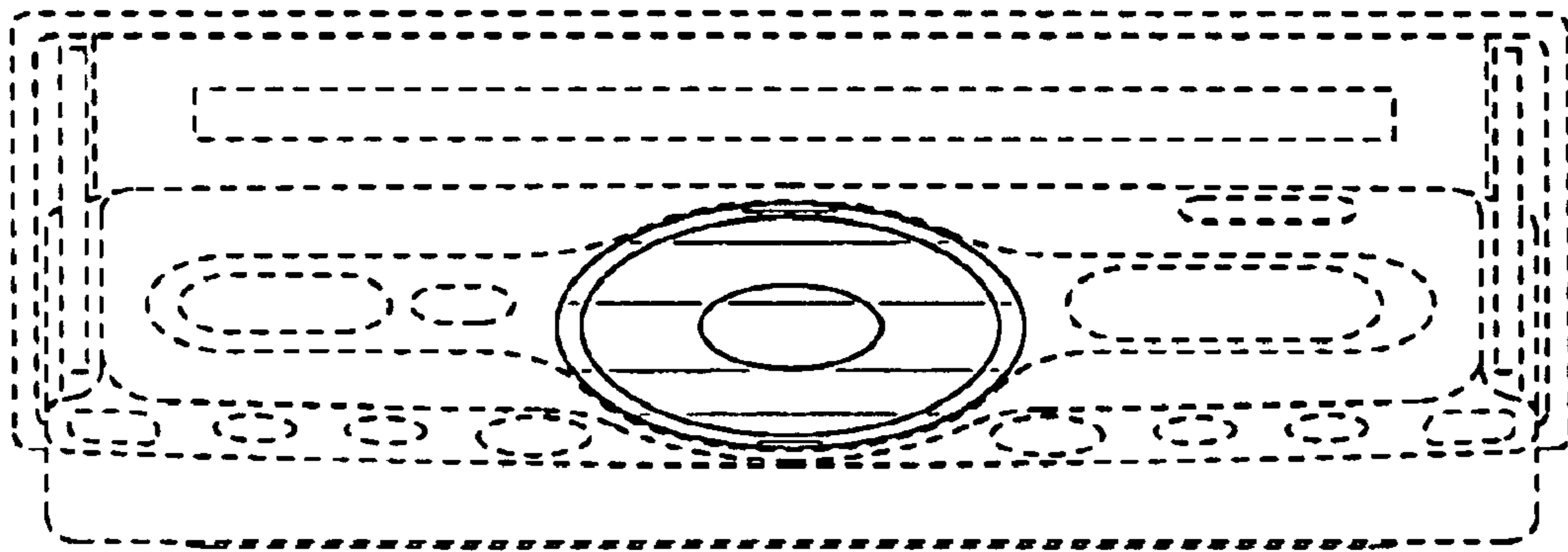


Fig.3

