

US00D508042S

(12) **United States Design Patent**
Oikawa

(10) **Patent No.: US D508,042 S**

(45) **Date of Patent: ** Aug. 2, 2005**

(54) **SPEAKER BOX**

(75) **Inventor: Yuji Oikawa, Tokyo (JP)**

(73) **Assignee: Sony Corporation, Tokyo (JP)**

(**) **Term: 14 Years**

(21) **Appl. No.: 29/205,794**

(22) **Filed: May 21, 2004**

(51) **LOC (8) Cl. 14-01**

(52) **U.S. Cl. D14/214**

(58) **Field of Search** D14/204, 207,
D14/209-216, 356; 181/143-144, 147-148,
150, 157, 198-199, 151, 153, 300-302,
306, 333, 345, 361-364, 386-388, 332,
336

(56) **References Cited**

U.S. PATENT DOCUMENTS

D229,566 S	*	12/1973	Klipsch	D14/214
D234,604 S	*	3/1975	Shimizu et al.	D14/212
D302,817 S	*	8/1989	Macaulay	D14/210
D330,029 S	*	10/1992	Kawaguchi	D14/212
D461,463 S		8/2002	Oikawa		
D476,310 S		6/2003	Hisatsune		
D476,311 S		6/2003	Hisatsune		

OTHER PUBLICATIONS

Web page "Sony Drive, DAV-S800" <http://www.ecat.sony.co.jp/audio/hometheater/products/index.cfm?PD=11&KM=DAV-S800> 2 sheets, Sony (Mar. 2004).

Web page "Sony Drive, DAV-S880" <http://www.ecat.sony.co.jp/audio/hometheater/products/index.cfm?PD=9468&KM=DAV-S880> 2 sheets, Sony (Mar. 2004).

* cited by examiner

Primary Examiner—Nanda Bondade

(74) *Attorney, Agent, or Firm*—Rader, Fishman & Grauer PLLC

(57) **CLAIM**

The ornamental design for a speaker box, as shown.

DESCRIPTION

FIG. 1 is a perspective view of a speaker box showing my new design;

FIG. 2 is a front elevational view thereof;

FIG. 3 is a rear elevational view thereof;

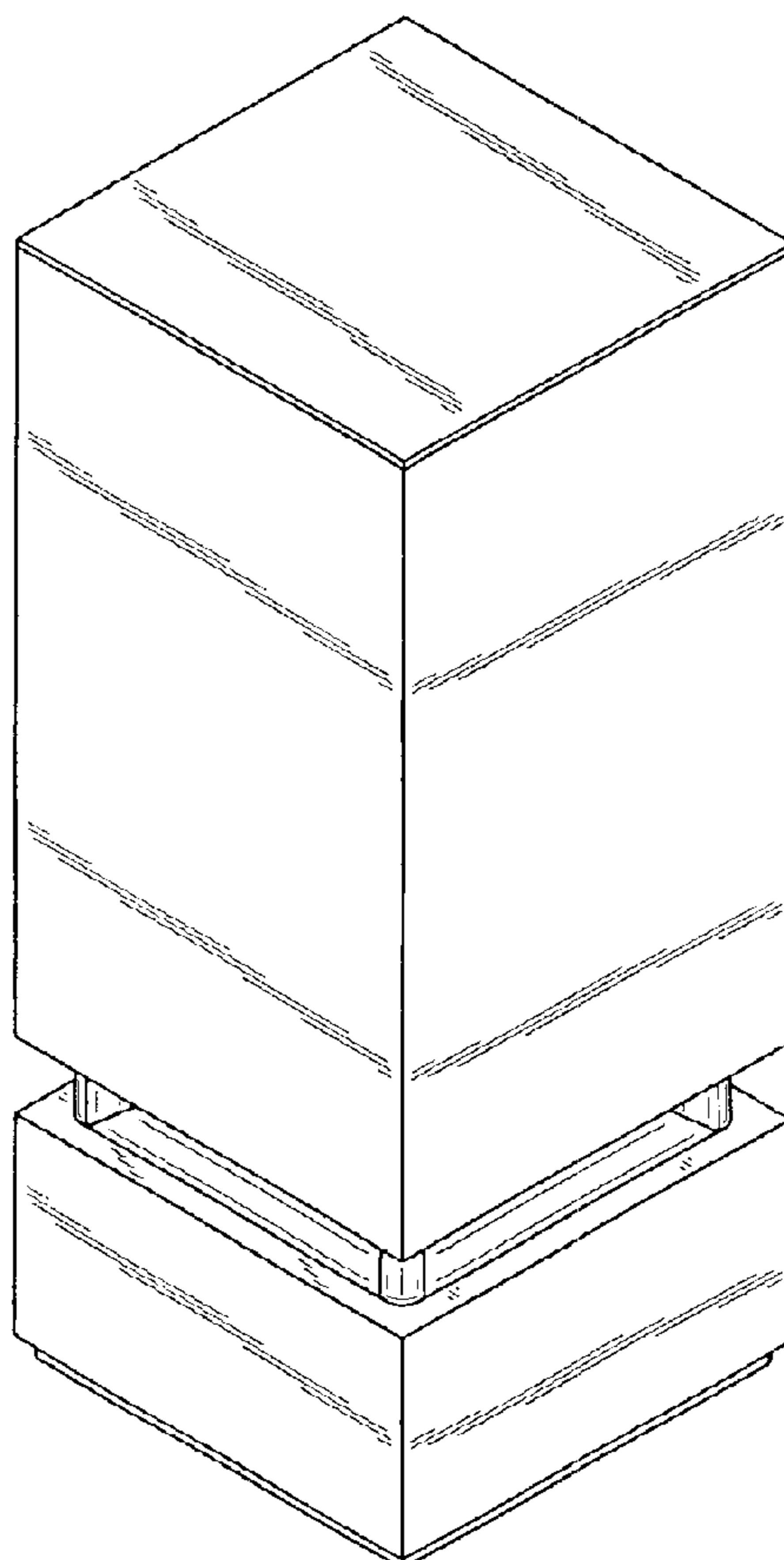
FIG. 4 is a left side elevational view thereof;

FIG. 5 is a right side elevational view thereof;

FIG. 6 is a top plan view thereof; and,

FIG. 7 is a bottom plan view thereof.

1 Claim, 4 Drawing Sheets



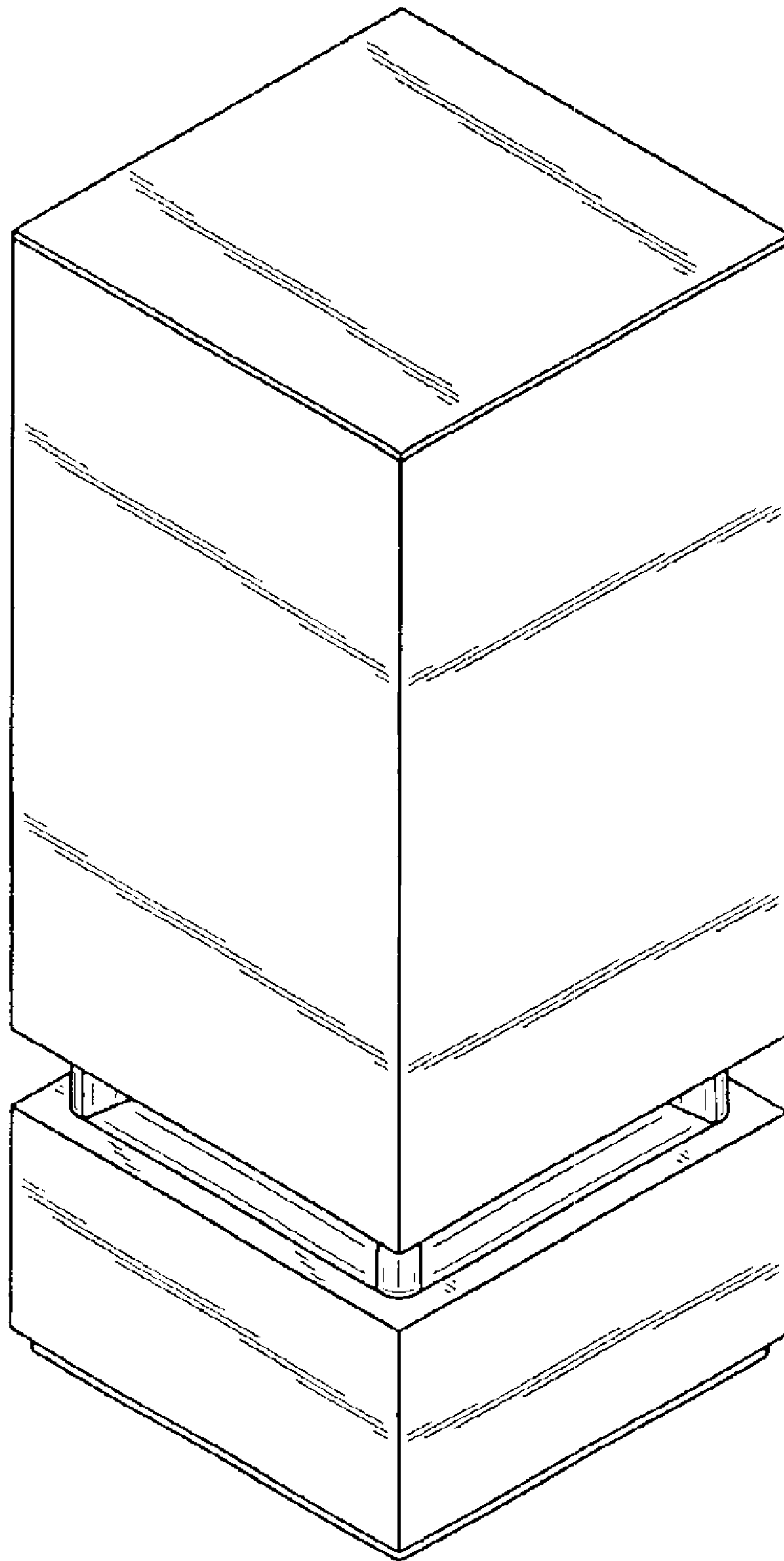


FIG. 1

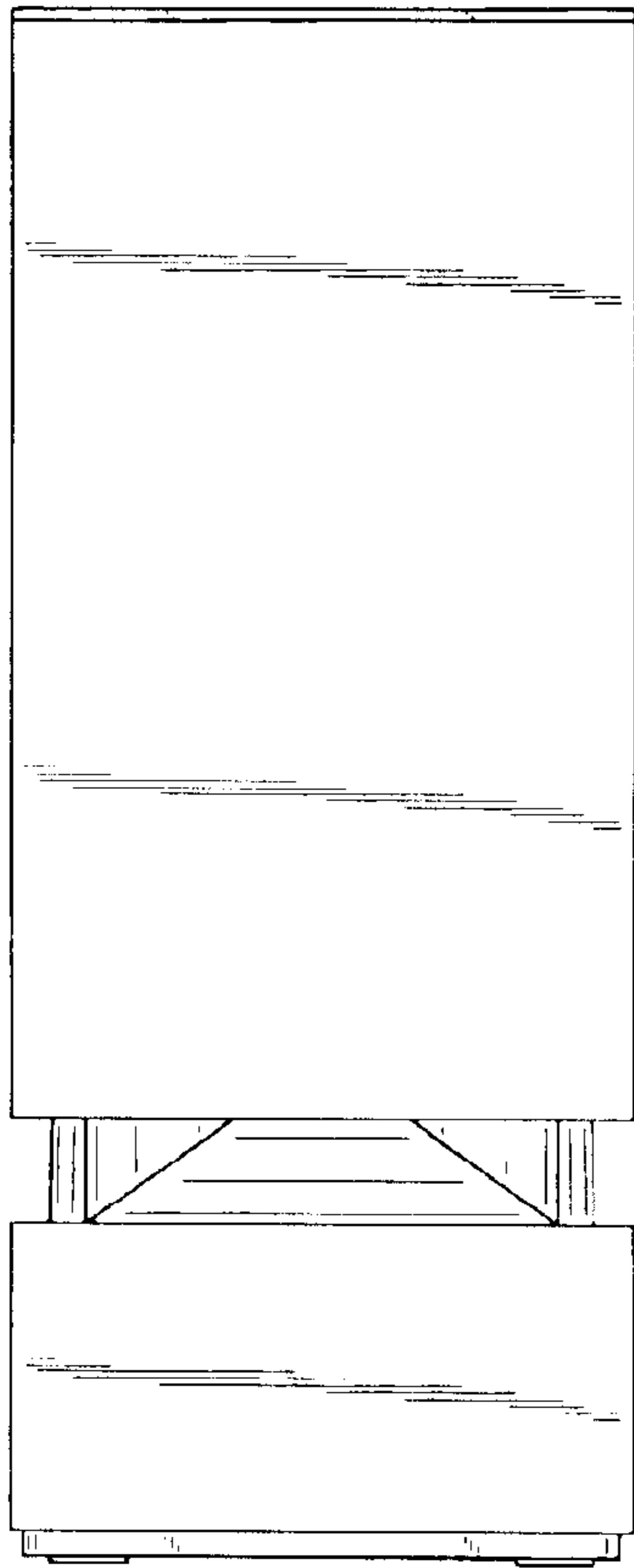


FIG. 2

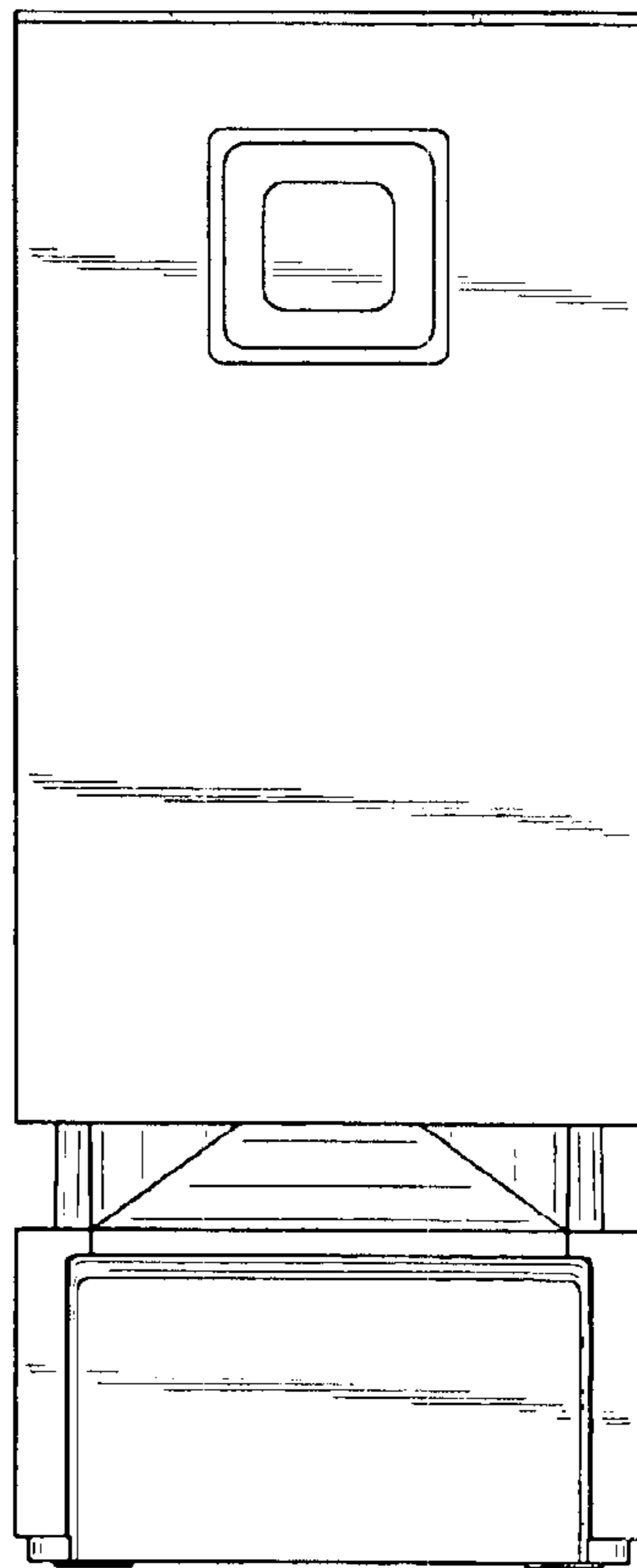


FIG. 3

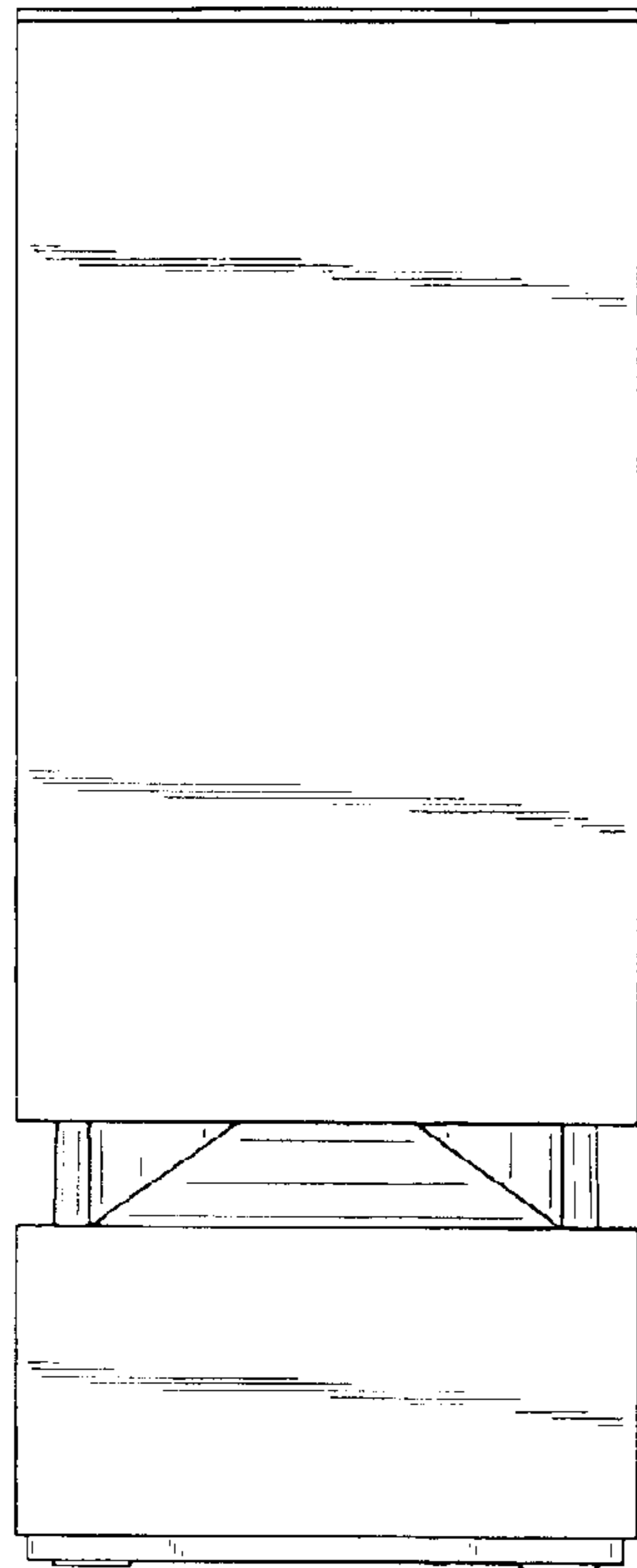


FIG. 4

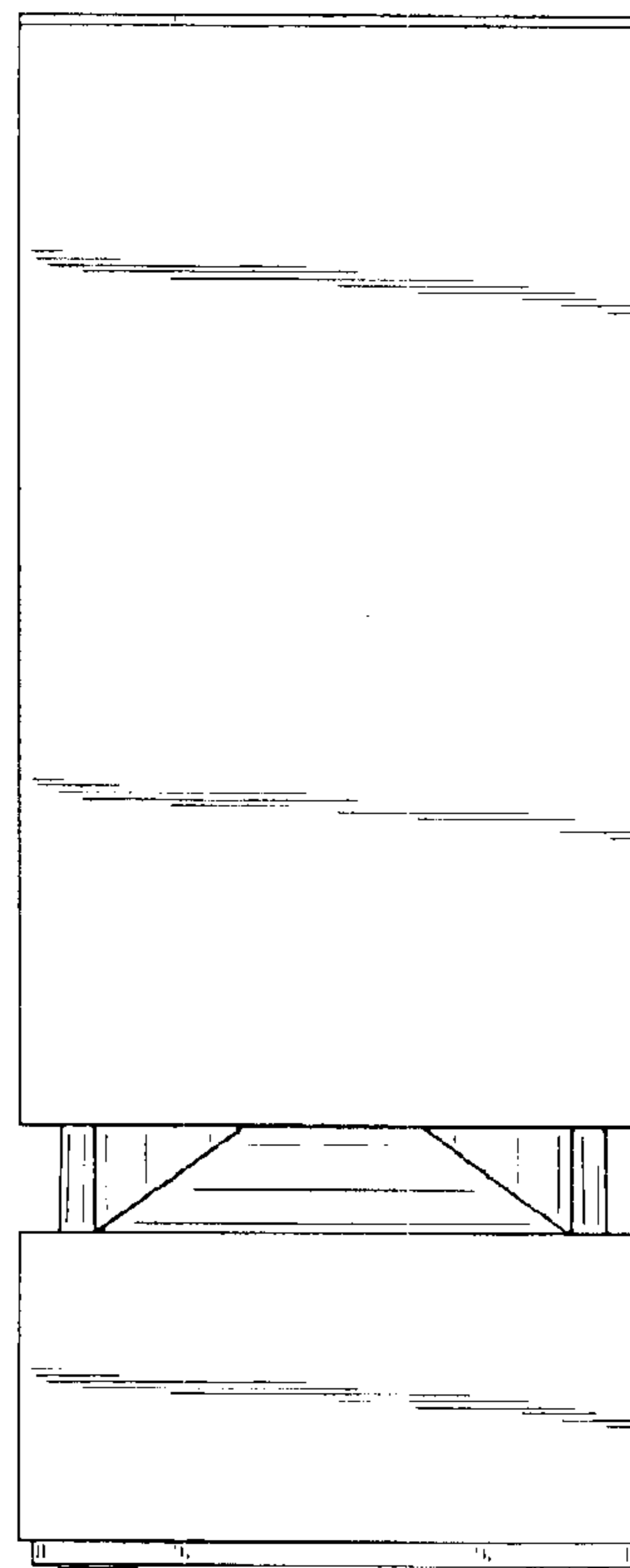


FIG. 5

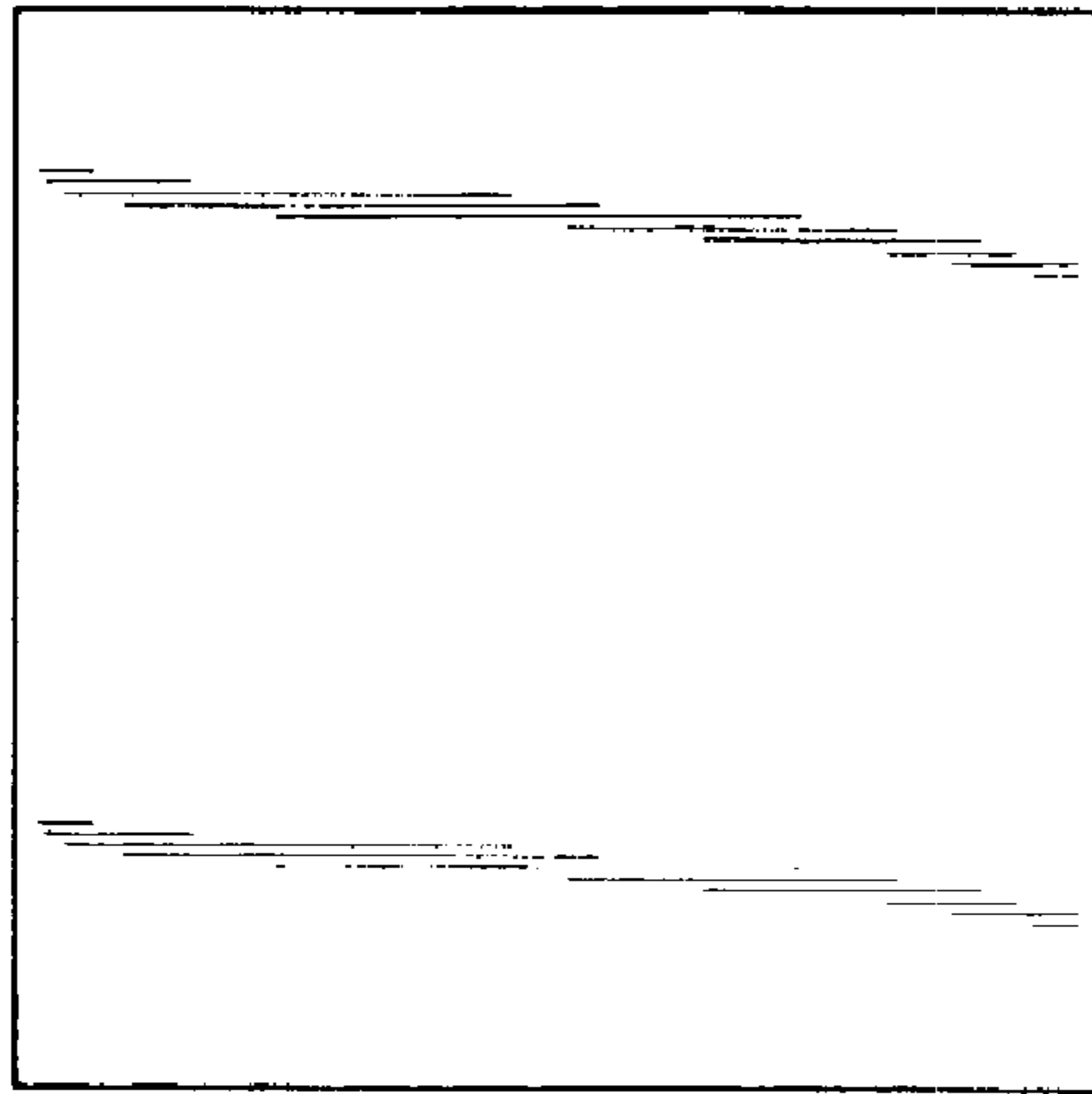


FIG. 6

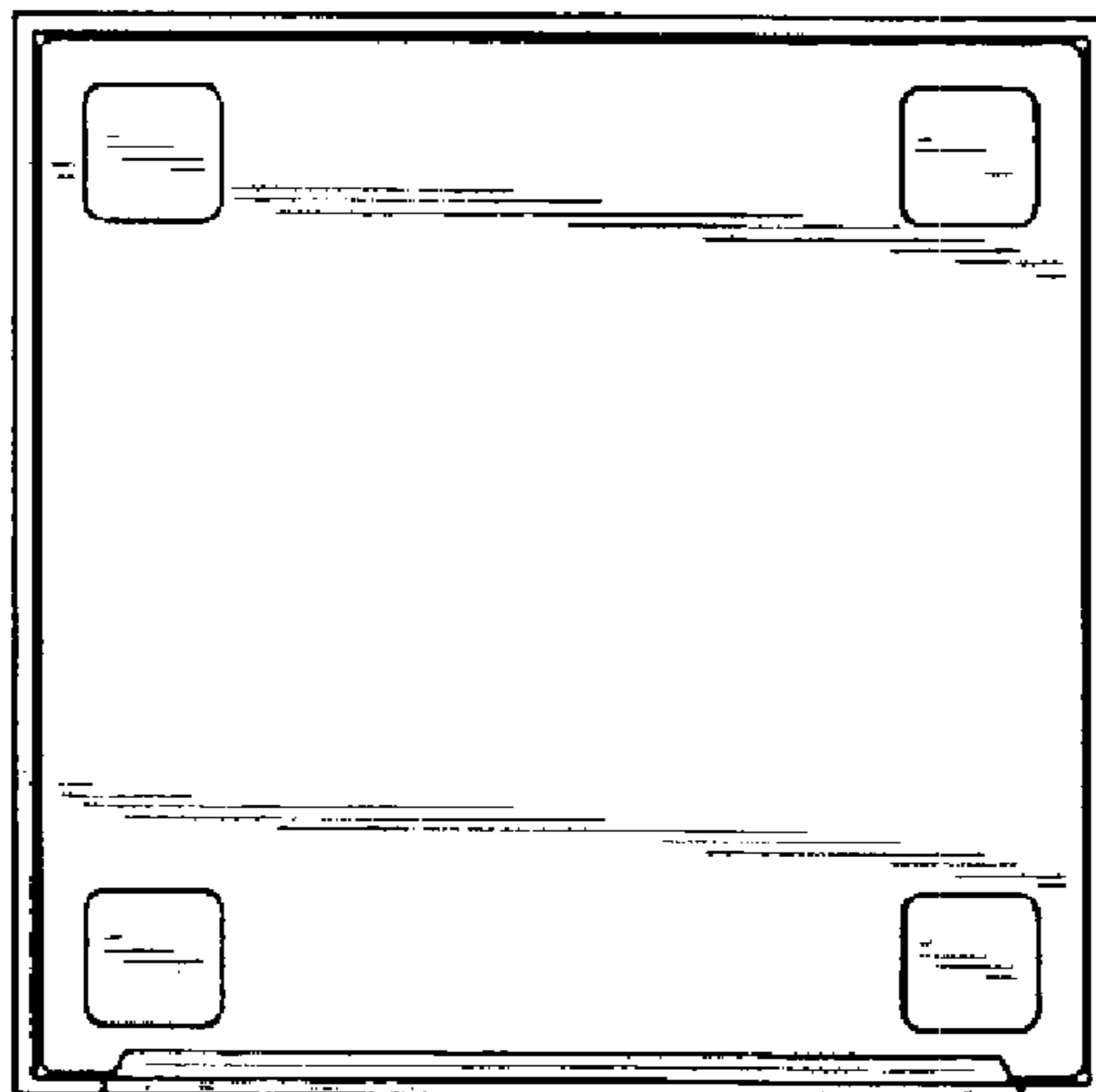


FIG. 7