

US00D508041S

(12) **United States Design Patent**  
**Carbone et al.**

(10) **Patent No.:** **US D508,041 S**

(45) **Date of Patent:** **\*\* Aug. 2, 2005**

(54) **LOUDSPEAKER**

(75) Inventors: **Richard J. Carbone**, Sterling, MA (US); **Karen Crook**, Somerville, MA (US); **Peter J. Wagner, II**, Worcester, MA (US); **Paul F. Warren**, Auburn, MA (US); **Donna M. Underwood**, Uxbridge, MA (US)

(73) Assignee: **Bose Corporation**, Framingham, MA (US)

(\*\*) Term: **14 Years**

(21) Appl. No.: **29/186,530**

(22) Filed: **Jul. 17, 2003**

(51) **LOC (8) Cl.** ..... **14-01**

(52) **U.S. Cl.** ..... **D14/214**

(58) **Field of Search** ..... D14/204, 207, D14/209-216, 356; 181/143-144, 147-148, 150, 157, 198-199, 151, 153; 381/300-302, 306, 333, 345, 361-364, 386-388

(56) **References Cited**

**U.S. PATENT DOCUMENTS**

D374,443 S \* 10/1996 Ferrario ..... D14/214

D397,116 S \* 8/1998 Tatsumi ..... D14/214  
D461,792 S \* 8/2002 Silverstein et al. .... D14/214  
D462,065 S \* 8/2002 Silverstein et al. .... D14/214  
D471,894 S \* 3/2003 Oikawa ..... D14/214

\* cited by examiner

*Primary Examiner*—Nanda Bondade  
(74) *Attorney, Agent, or Firm*—Fish & Richardson P.C.

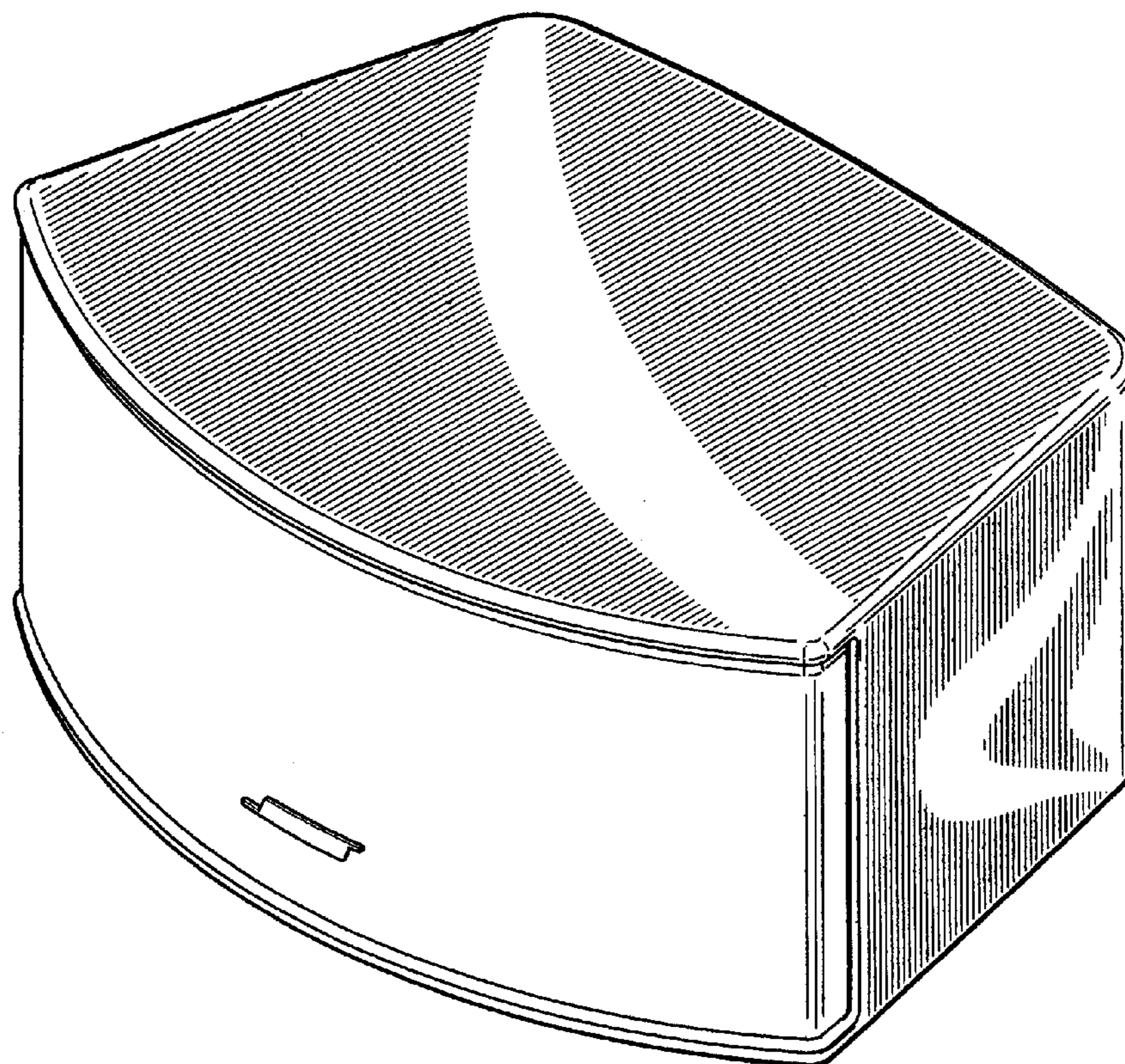
(57) **CLAIM**

The ornamental design of a loudspeaker, substantially as shown and described.

**DESCRIPTION**

FIG. 1 is a perspective view of a loudspeaker showing our new design;  
FIG. 2 is a front elevational view thereof;  
FIG. 3 is a rear elevational view thereof;  
FIG. 4 is a right side elevational view thereof;  
FIG. 5 is a left side elevational view thereof;  
FIG. 6 is a top plan view thereof; and,  
FIG. 7 is a bottom plan view thereof.

**1 Claim, 4 Drawing Sheets**



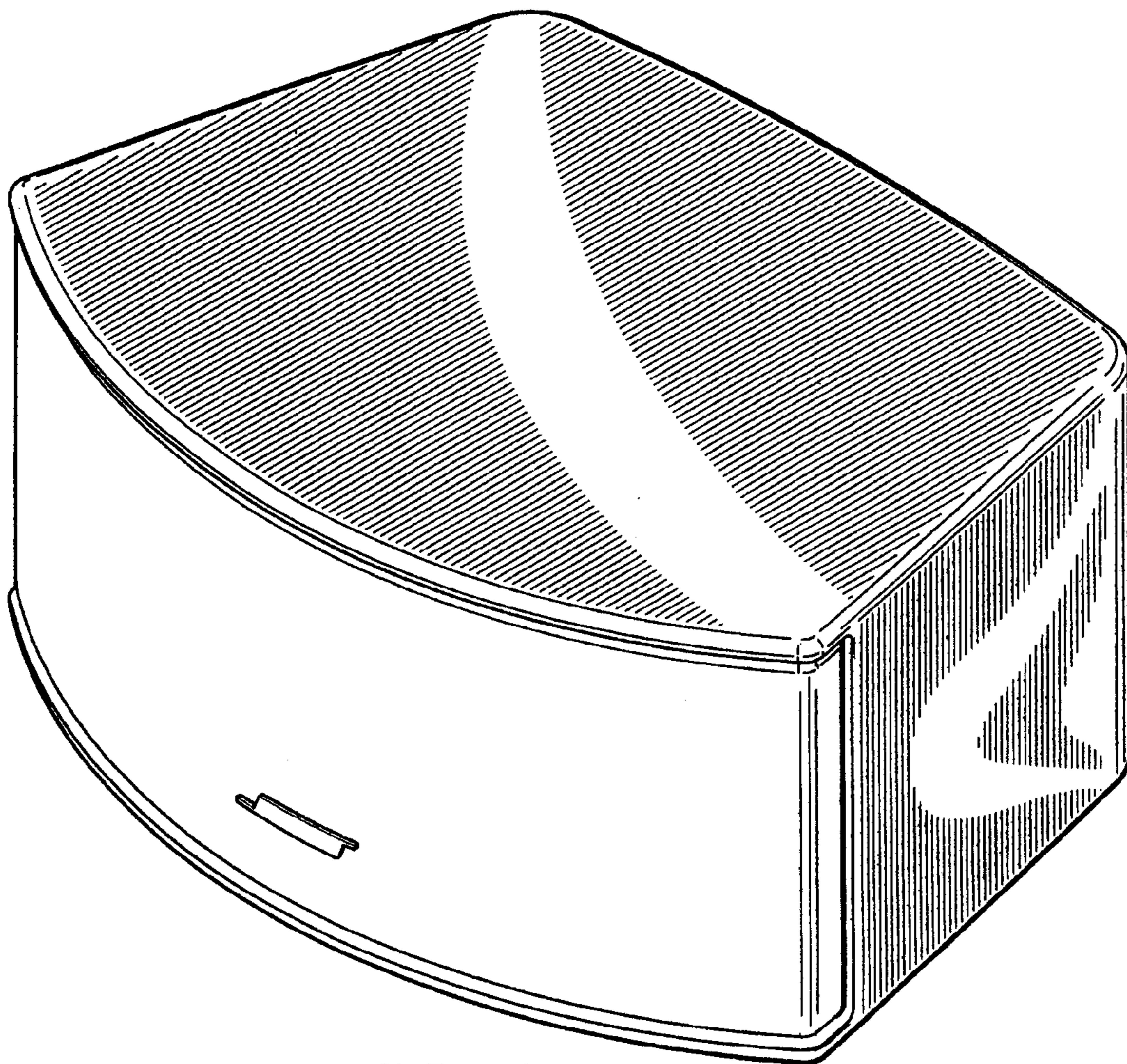


FIG. 1



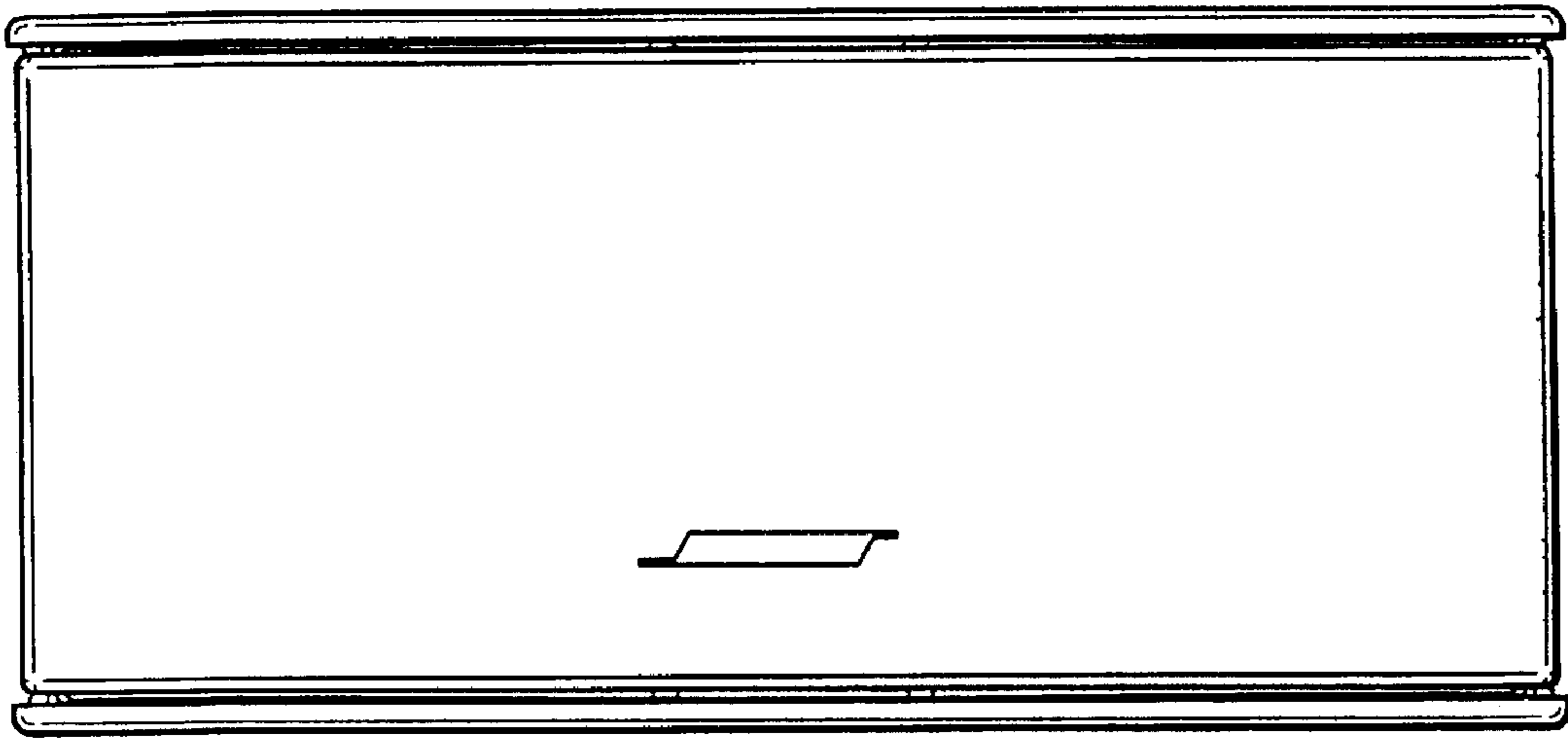


FIG. 2

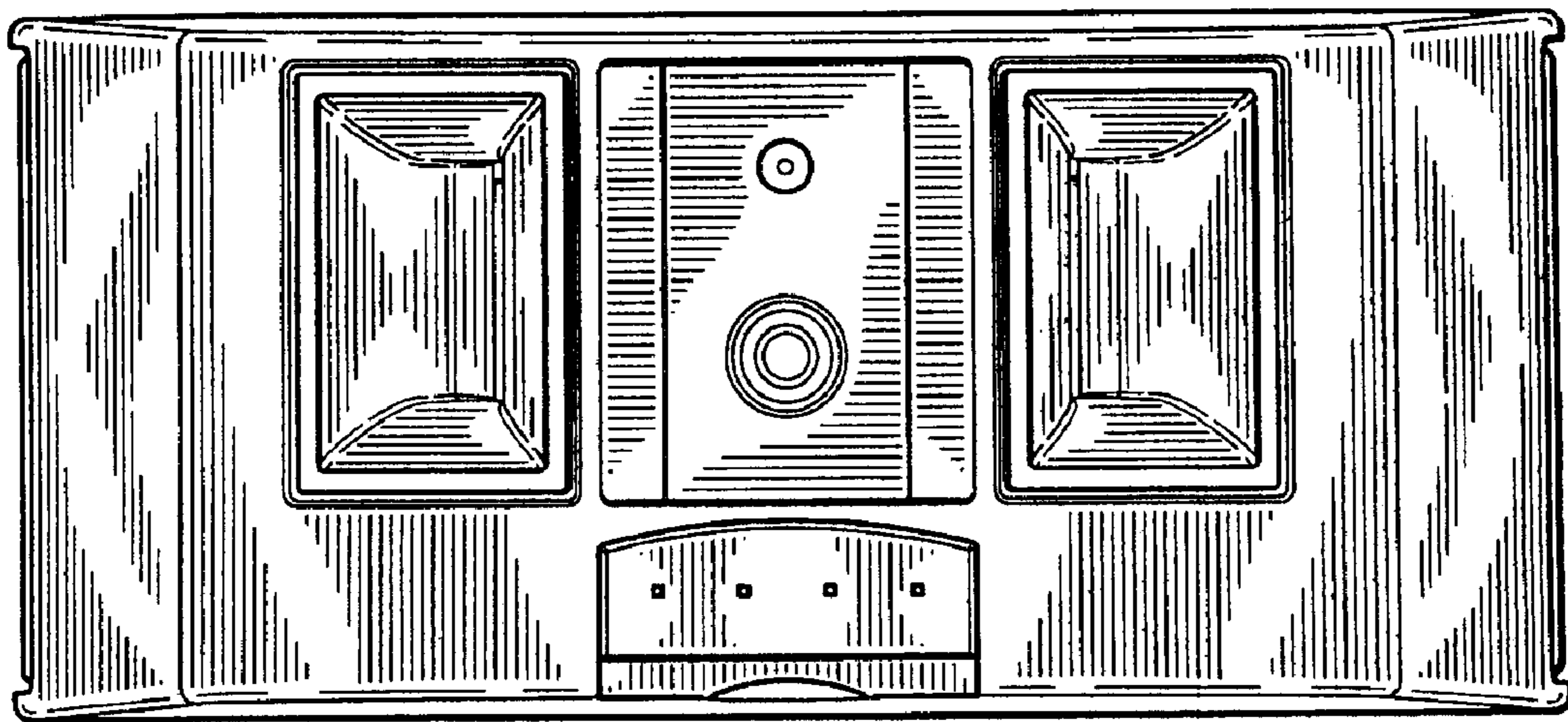


FIG. 3

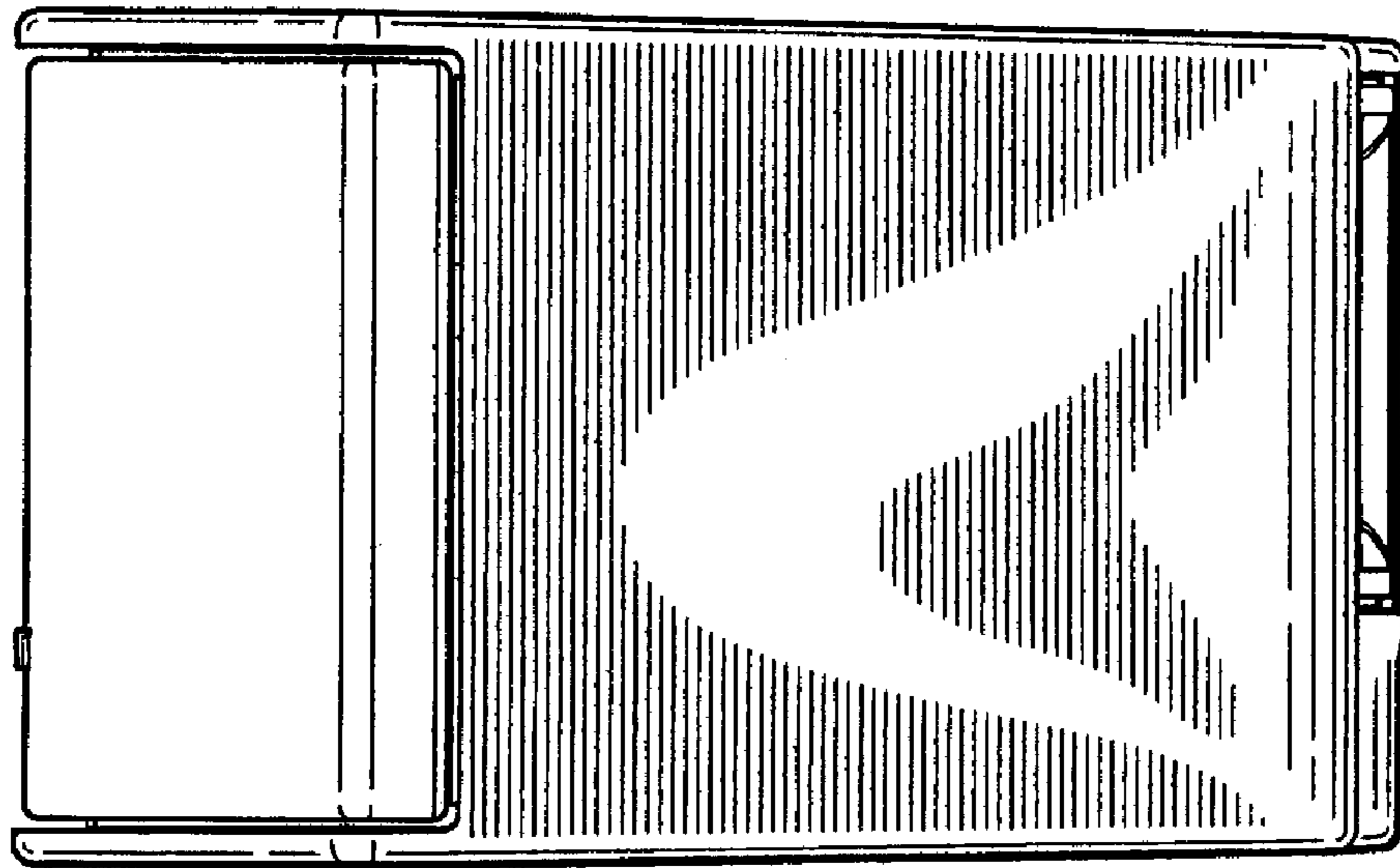


FIG. 4

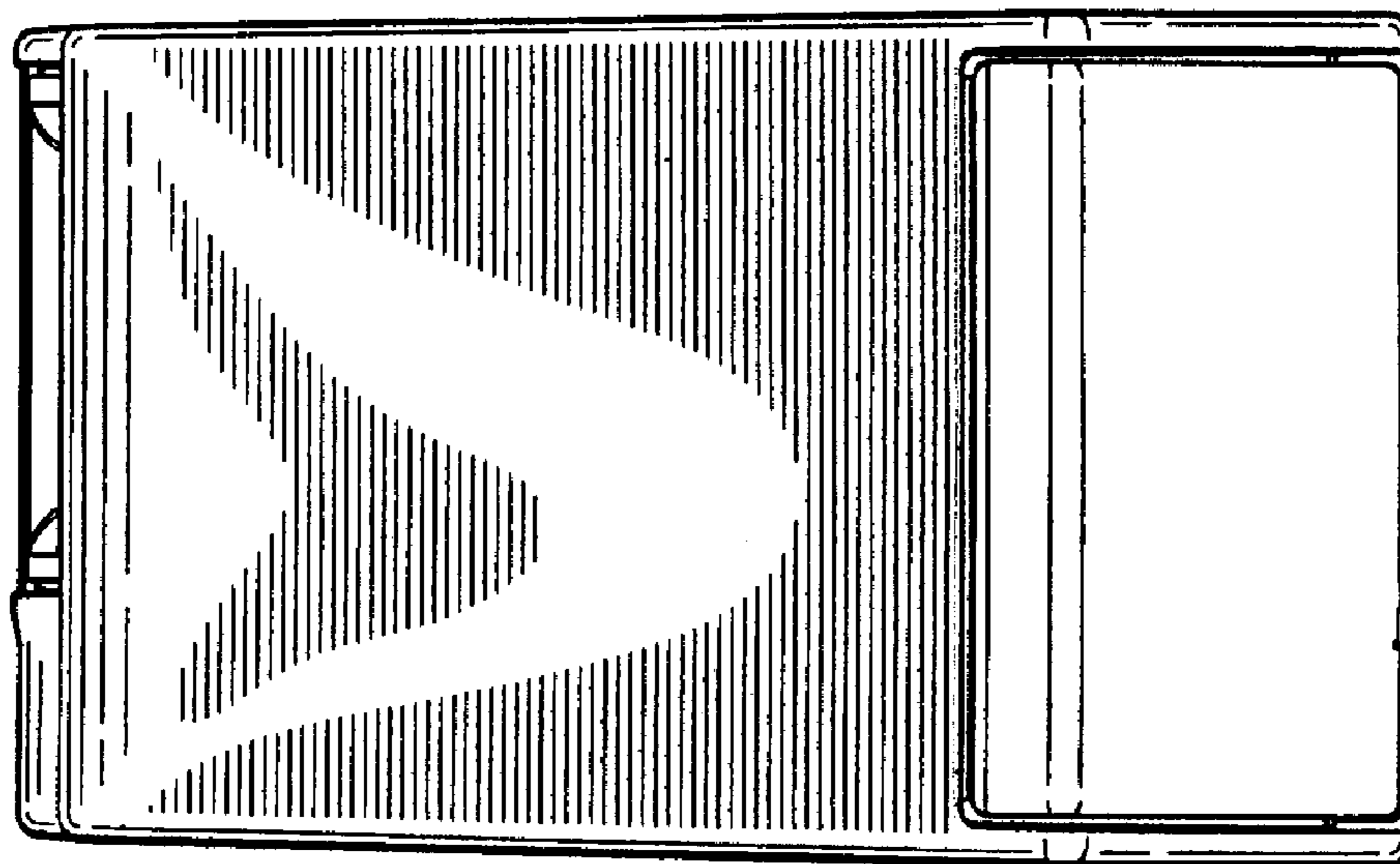


FIG. 5

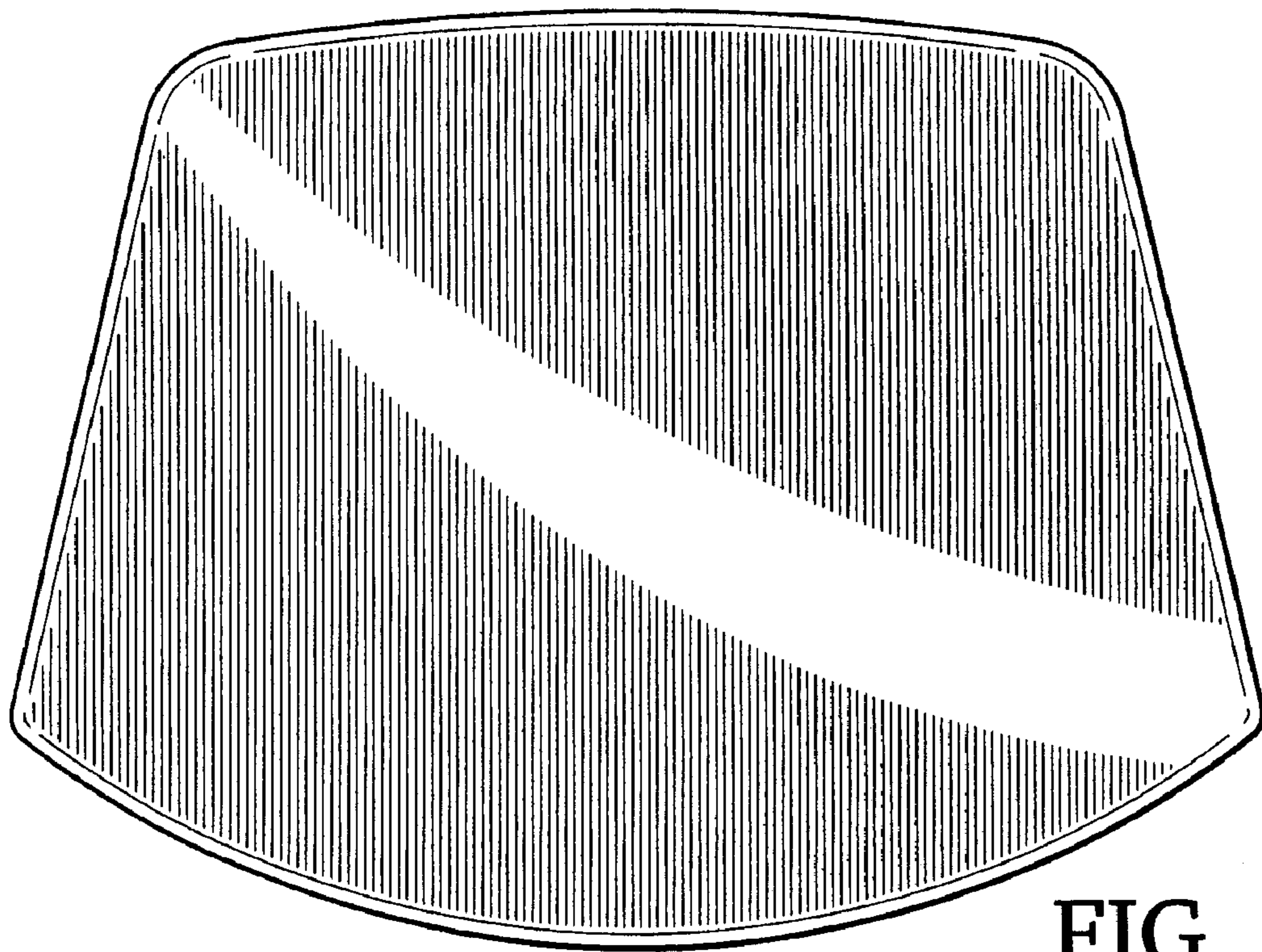


FIG. 6

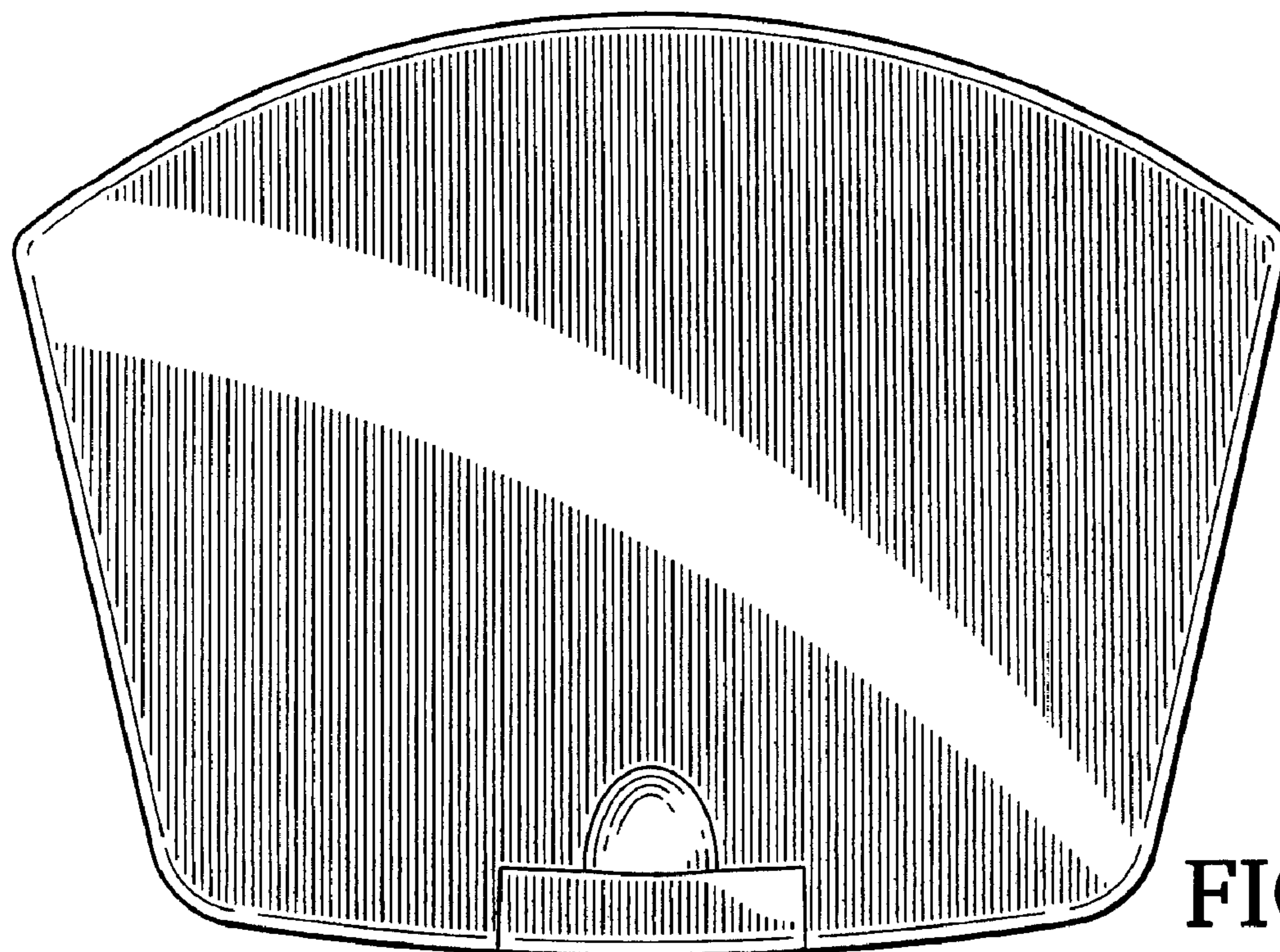


FIG. 7