

US00D508040S

(12) **United States Design Patent** (10) **Patent No.:** **US D508,040 S**  
**Cutler et al.** (45) **Date of Patent:** **\*\* Aug. 2, 2005**

- (54) **PORTION OF AN AUDIOVISUAL COMMUNICATION DEVICE**
- (75) Inventors: **Ross Cutler**, Duvall, WA (US); **Jaysun Stockdell-Giesler**, Brandon, FL (US)
- (73) Assignee: **Microsoft Corporation**, Redmond, WA (US)
- (\*\*) Term: **14 Years**
- (21) Appl. No.: **29/204,472**
- (22) Filed: **Apr. 30, 2004**

5,633,681 A	*	5/1997	Baxter et al.	.....	348/373
D399,860 S	*	10/1998	Huang	.....	D16/202
D412,331 S	*	7/1999	Nakamura	.....	D14/155
D413,999 S	*	9/1999	Diaz-Azcuy	.....	D26/110
D424,086 S	*	5/2000	Choi	.....	D16/203
D424,087 S	*	5/2000	Frick et al.	.....	D16/203
D436,612 S	*	1/2001	Geng	.....	D16/232
D446,533 S	*	8/2001	Gatto	.....	D16/202
6,411,332 B1	*	6/2002	Whitby et al.	.....	348/376
D461,485 S	*	8/2002	Jones et al.	.....	D16/203
6,437,826 B1	*	8/2002	Arnold	.....	348/373
6,462,781 B1	*	10/2002	Arnold	.....	348/373
D495,355 S	*	8/2004	Mudd et al.	.....	D16/232
2004/0001137 A1	*	1/2004	Cutler et al.	.....	348/14.08
2004/0135879 A1	*	7/2004	Stacy et al.	.....	348/14.02
2004/0183941 A1	*	9/2004	McCutchen	.....	348/373

**Related U.S. Application Data**

- (63) Continuation of application No. 29/200,996, filed on Mar. 9, 2004.
- (51) **LOC (8) Cl.** ..... **14-03**
- (52) **U.S. Cl.** ..... **D14/149; D14/125; D14/130; D16/202**
- (58) **Field of Search** ..... D14/130, 149, D14/150, 155, 159, 423, 144, 230, 233, 238; 379/202.01, 204.01; 348/14.01-14.06, 373; 370/260-268; 709/204, 205; 715/753; D16/202, 203, 208, 214, 232; D26/103, 119, 107, 112, 104, 108

**References Cited**

**U.S. PATENT DOCUMENTS**

D103,951 S	*	4/1937	North	.....	D16/232
D195,095 S	*	4/1963	Bardos et al.	.....	D26/55
D207,273 S	*	3/1967	Muller	.....	D26/68
4,717,913 A	*	1/1988	Elger	.....	340/10.1
D311,540 S	*	10/1990	Wickrema et al.	.....	D14/233
D349,714 S	*	8/1994	Hasegawa	.....	D16/203
D364,388 S	*	11/1995	Miyahara	.....	D14/423
D374,023 S	*	9/1996	Beck et al.	.....	D16/202
D375,319 S	*	11/1996	Johnson et al.	.....	D16/202
5,596,648 A	*	1/1997	Fast	.....	381/77

**OTHER PUBLICATIONS**

www.ivci.com, Sony PCS-G70, site visited Jan. 6, 2005.\*  
 \* cited by examiner

*Primary Examiner*—Jeffrey Asch  
 (74) *Attorney, Agent, or Firm*—Banner & Witcoff, Ltd.

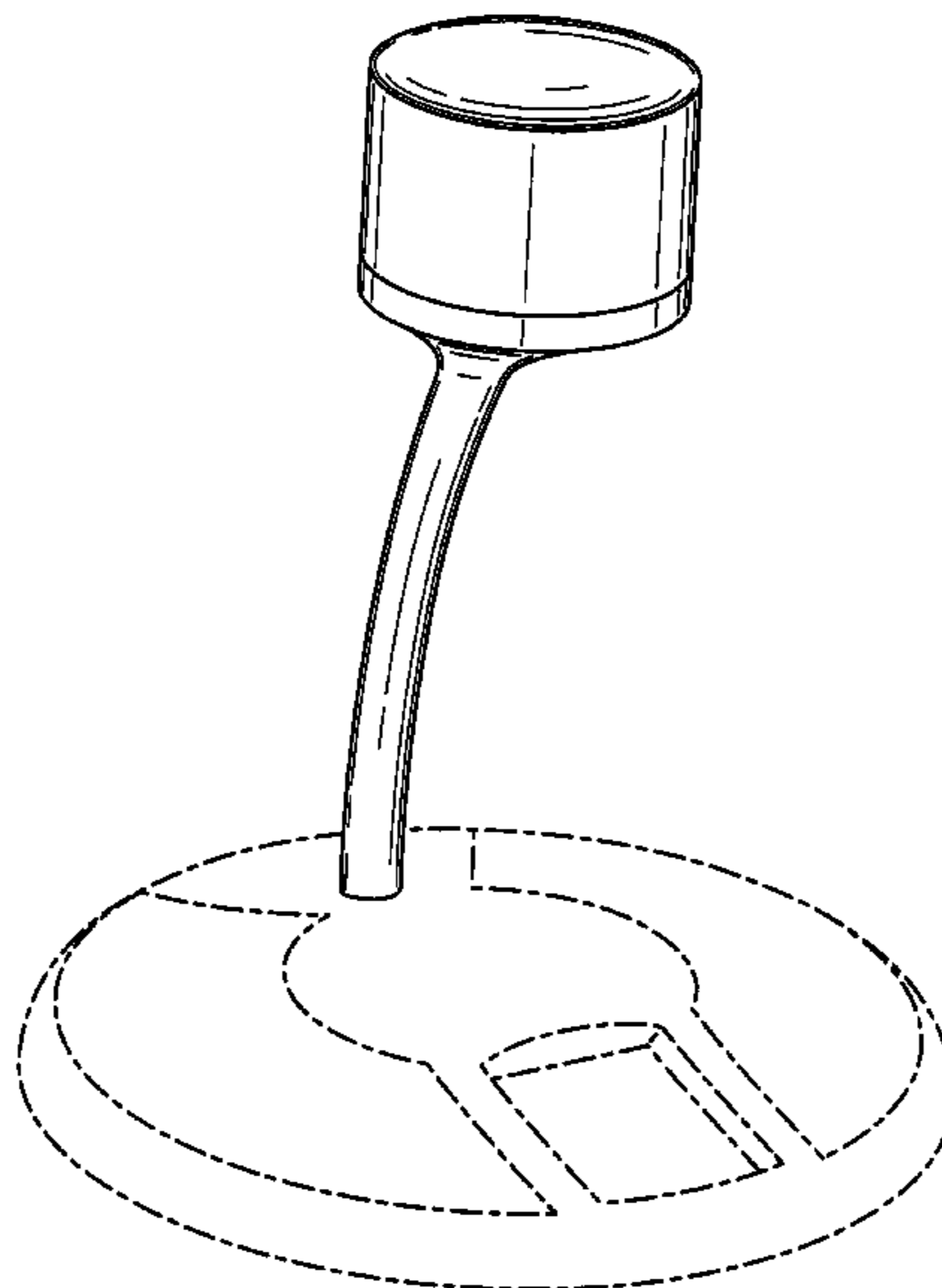
(57) **CLAIM**

The ornamental design for portion of an audiovisual communication device, as shown and described.

**DESCRIPTION**

FIG. 1 is a front perspective view of a portion of an audiovisual communication device showing our new design; FIG. 2 is a front view thereof; FIG. 3 is a rear view thereof; FIG. 4 is a right side view thereof; FIG. 5 is a left side view thereof; and, FIG. 6 is a top view thereof. The unshown bottom forms no part of the claimed design. The broken lines are for illustrative purposes only and form no part of the claimed design.

**1 Claim, 6 Drawing Sheets**



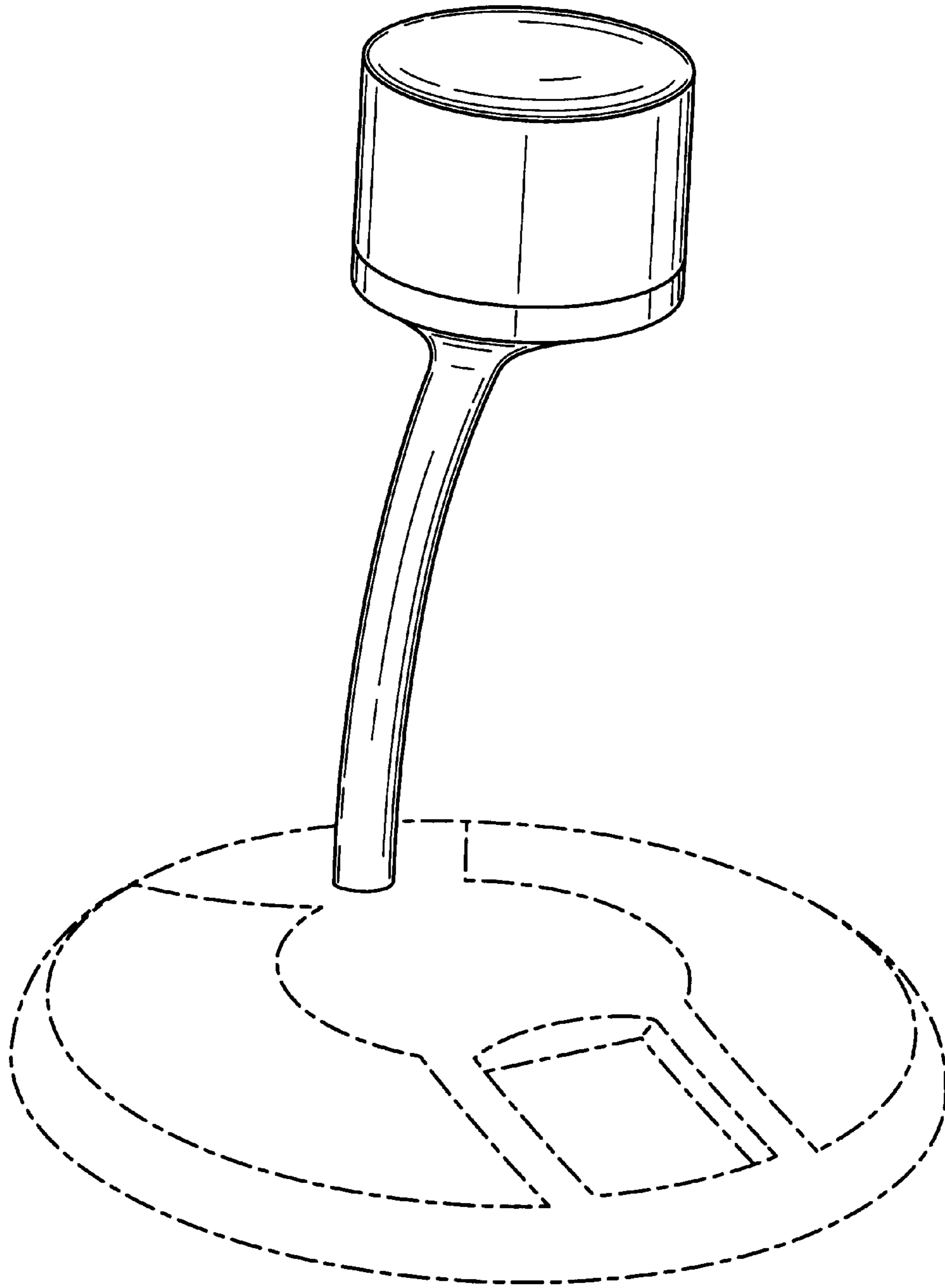


FIG. 1

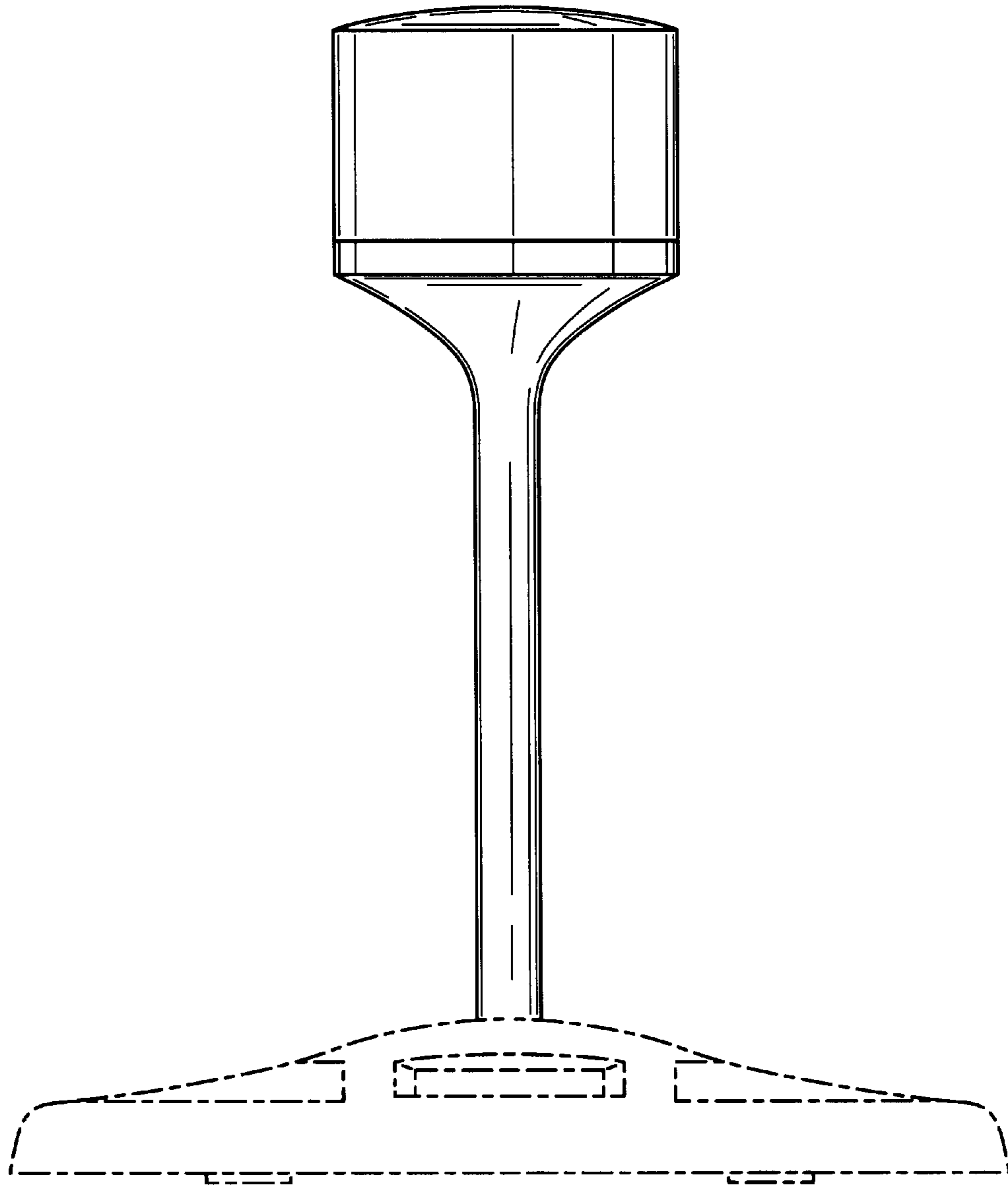


FIG. 2

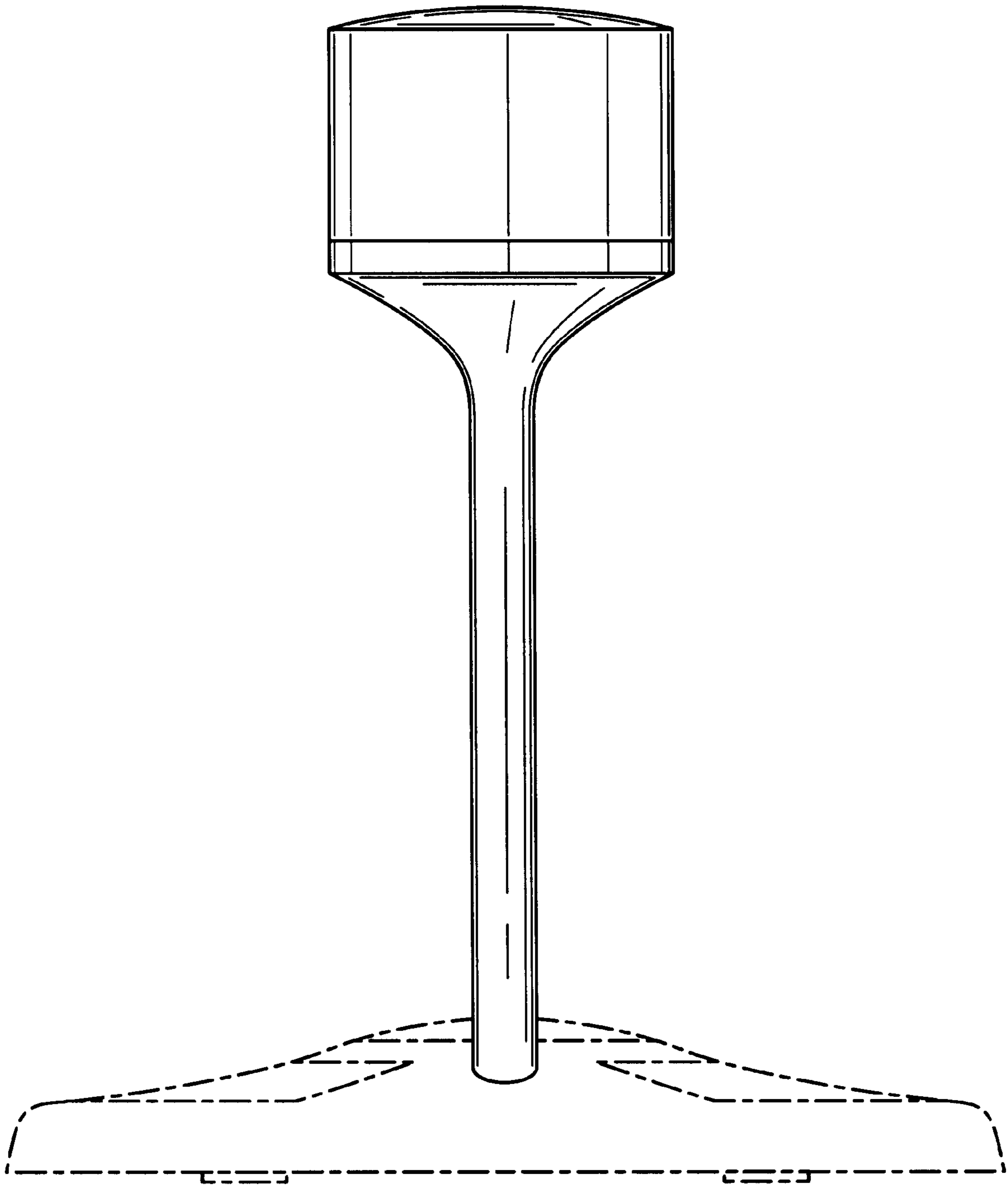


FIG. 3

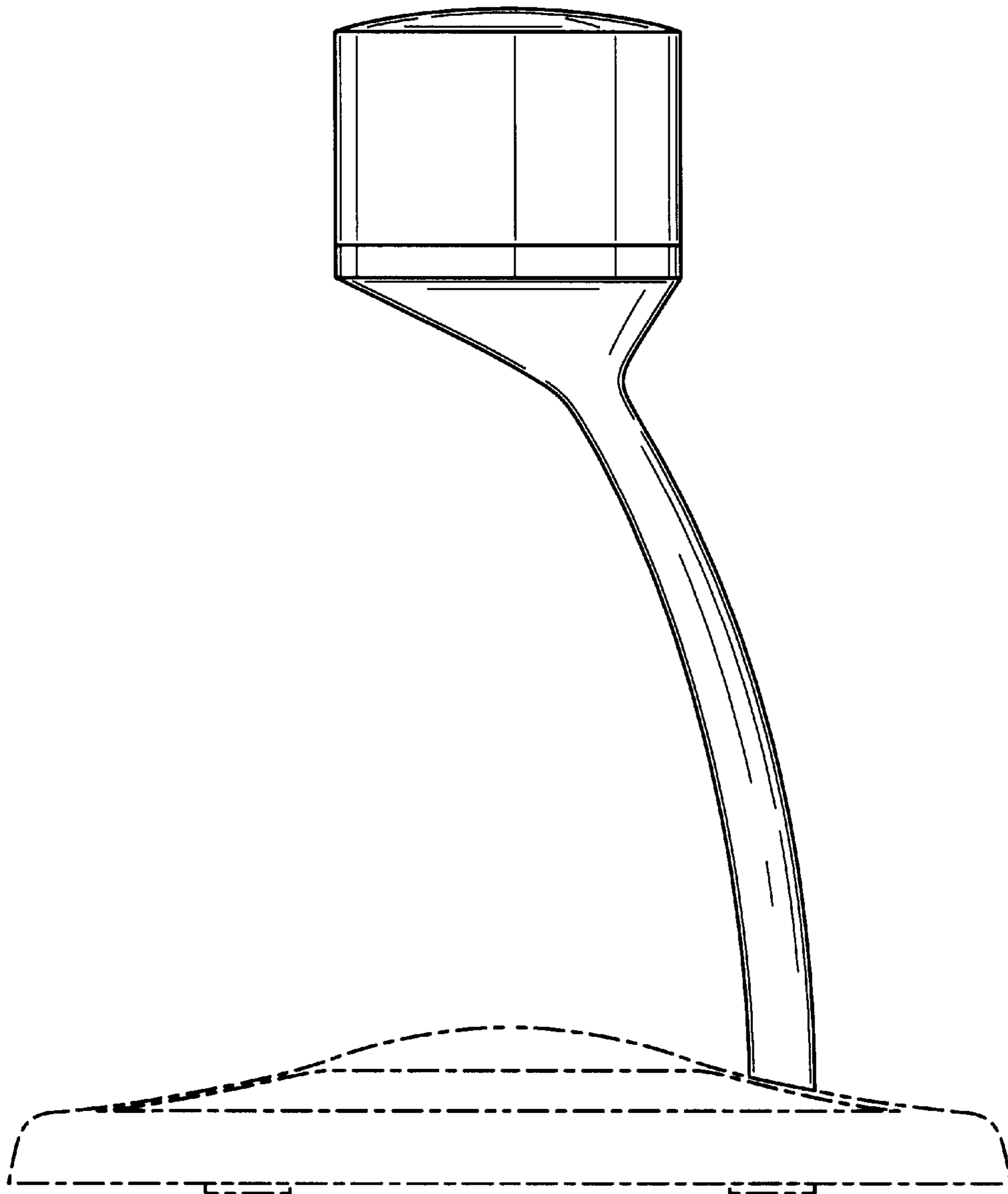


FIG. 4

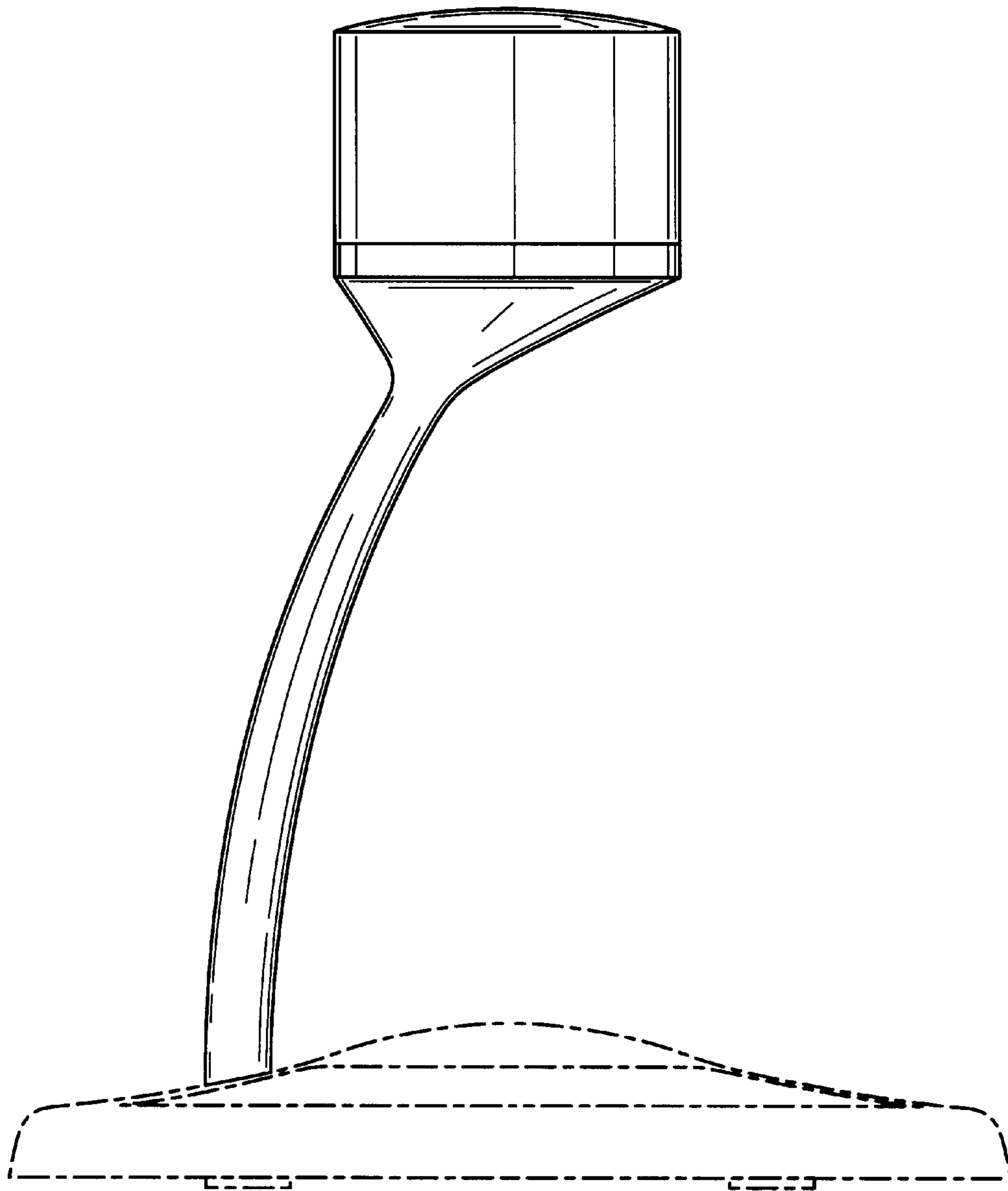


FIG. 5

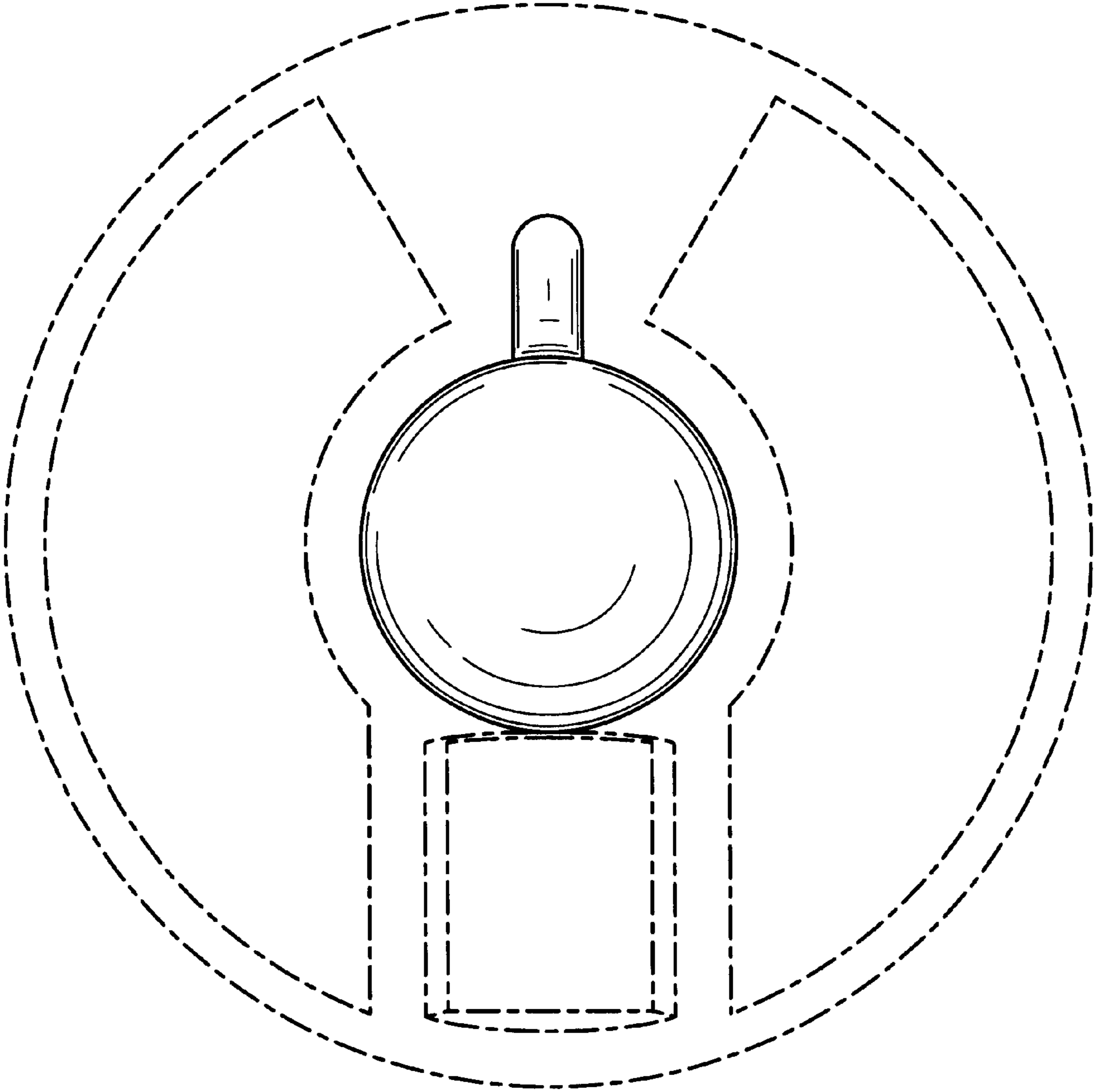


FIG. 6