

US00D508039S

(12) **United States Design Patent** (10) **Patent No.:** **US D508,039 S**
Cutler (45) **Date of Patent:** **** Aug. 2, 2005**

- (54) **PORTION OF AN AUDIOVISUAL COMMUNICATION DEVICE**
- (75) Inventor: **Ross Cutler**, Duvall, WA (US)
- (73) Assignee: **Microsoft Corporation**, Redmond, WA (US)
- (**) Term: **14 Years**
- (21) Appl. No.: **29/204,466**
- (22) Filed: **Apr. 30, 2004**

Related U.S. Application Data

- (63) Continuation of application No. 29/200,996, filed on Mar. 9, 2004.
- (51) **LOC (8) Cl.** **14-03**
- (52) **U.S. Cl.** **D14/149**; D14/125; D14/130; D16/202
- (58) **Field of Search** D14/130, 149, D14/150, 155, 159, 423, 144, 230, 233, 238; 379/202.01, 204.01; 348/14.01-14.06, 373; 370/260-268; 709/204, 205; 715/753; D16/202, 203, 208, 214, 232; D26/103, 119, 107, 112, 104, 108

References Cited

U.S. PATENT DOCUMENTS

- D197,381 S * 1/1964 Müller D26/67
- D203,597 S * 2/1966 Newton D16/203
- D208,719 S * 9/1967 de Vos D26/67
- 3,535,442 A * 10/1970 Jennings 348/151
- 4,434,507 A * 2/1984 Thomas 455/95
- D291,365 S * 8/1987 Corcorran et al. D26/110
- D300,531 S * 4/1989 Higgins D14/230
- D311,540 S * 10/1990 Wickrema et al. D14/233
- D374,023 S * 9/1996 Beck et al. D16/202
- D375,319 S * 11/1996 Johnson et al. D16/202

- 5,596,648 A * 1/1997 Fast 381/77
- 5,633,681 A * 5/1997 Baxter et al. 348/373
- D424,086 S * 5/2000 Choi D16/203
- D446,533 S * 8/2001 Gatto D16/202
- 6,437,826 B1 * 8/2002 Arnold 348/373
- 6,462,781 B1 * 10/2002 Arnold 348/373
- 6,466,249 B1 * 10/2002 Granot et al. 348/14.08
- D471,662 S * 3/2003 Sooferian D26/67
- D474,169 S * 5/2003 Fletcher D14/159
- D475,385 S * 6/2003 Christianson D16/202
- D479,546 S * 9/2003 Yoshikawa D16/202
- D499,719 S * 12/2004 Peersmann D14/243
- 2004/0001137 A1 * 1/2004 Cutler et al. 348/14.08
- 2004/0183941 A1 * 9/2004 McCutchen 348/373
- 2004/0263611 A1 * 12/2004 Cutler 348/36

OTHER PUBLICATIONS

www.ivci.com, Sony PCS-G70, site visited Jan. 2, 2005.*

* cited by examiner

Primary Examiner—Jeffrey Asch
(74) *Attorney, Agent, or Firm*—Banner & Witcoff, Ltd.

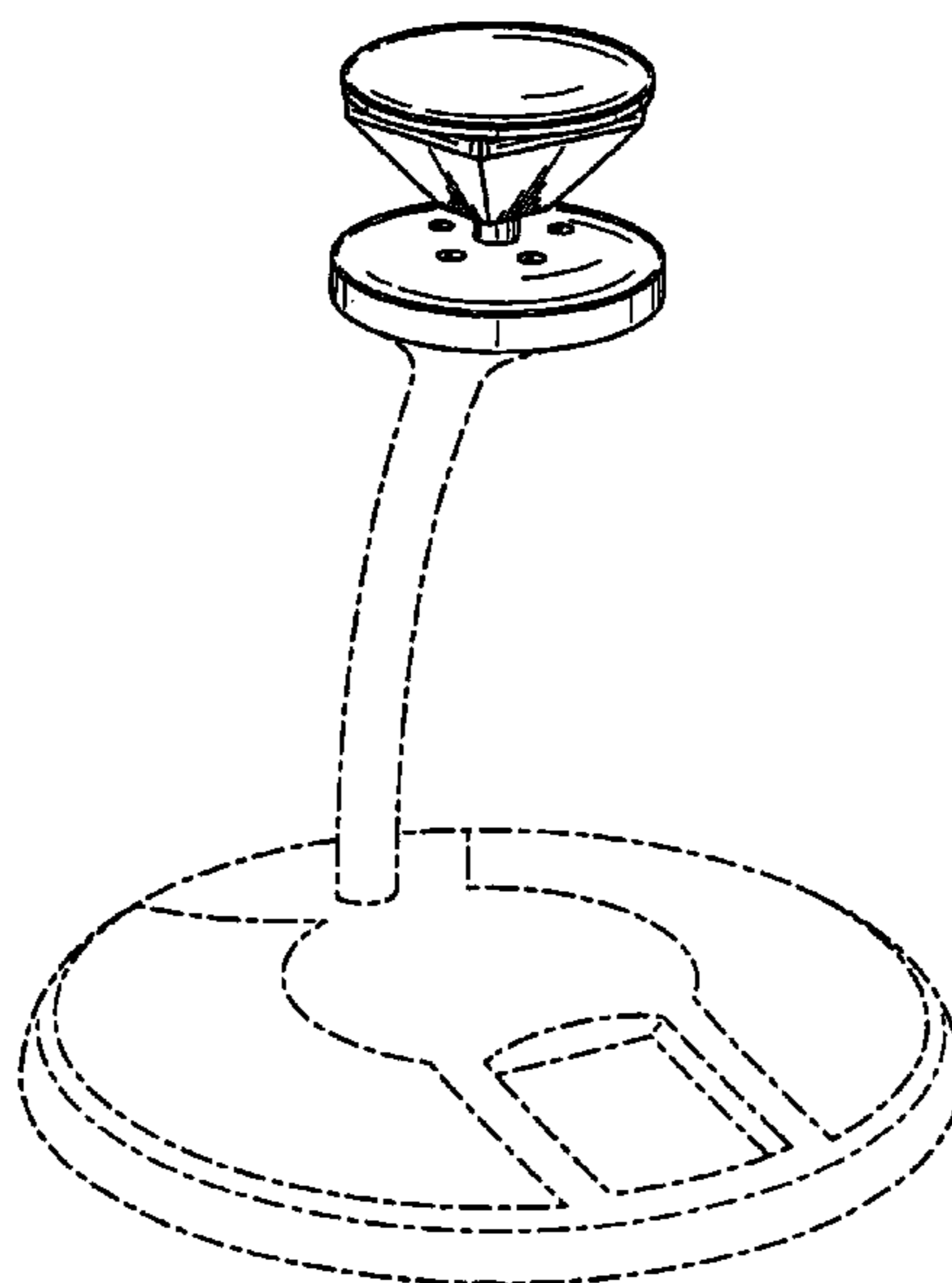
(57) **CLAIM**

The ornamental design for a portion of an audiovisual communication device, as shown and described.

DESCRIPTION

FIG. 1 is a front perspective view of a portion of an audiovisual communication device showing my new design; FIG. 2 is a front view thereof; FIG. 3 is a rear view thereof; FIG. 4 is a right side view thereof; FIG. 5 is a left side view thereof; and, FIG. 6 is a top view thereof. The unshown bottom forms no part of the claimed design. The broken lines are for illustrative purposes only and form no part of the claimed design.

1 Claim, 6 Drawing Sheets



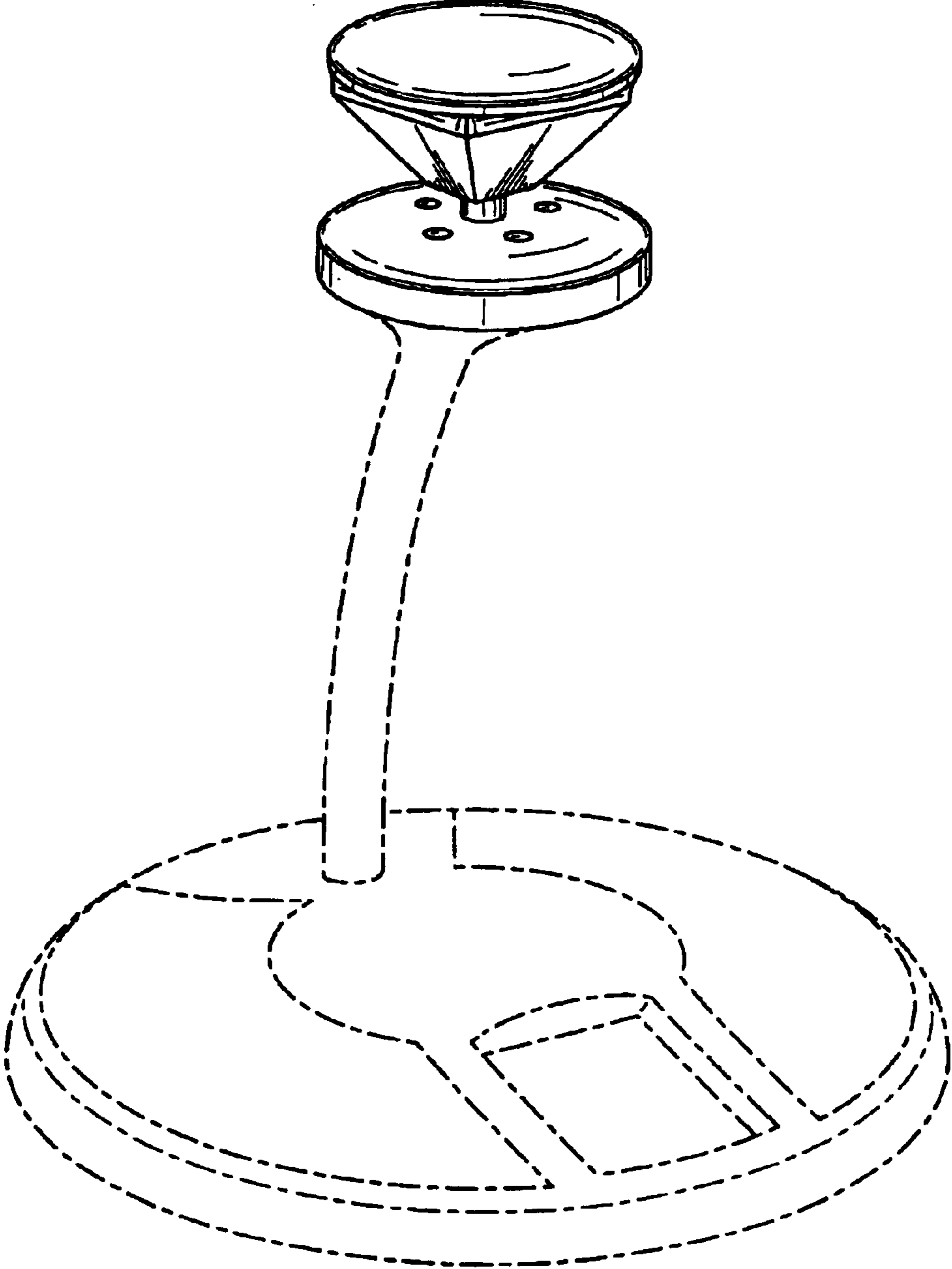


FIG. 1

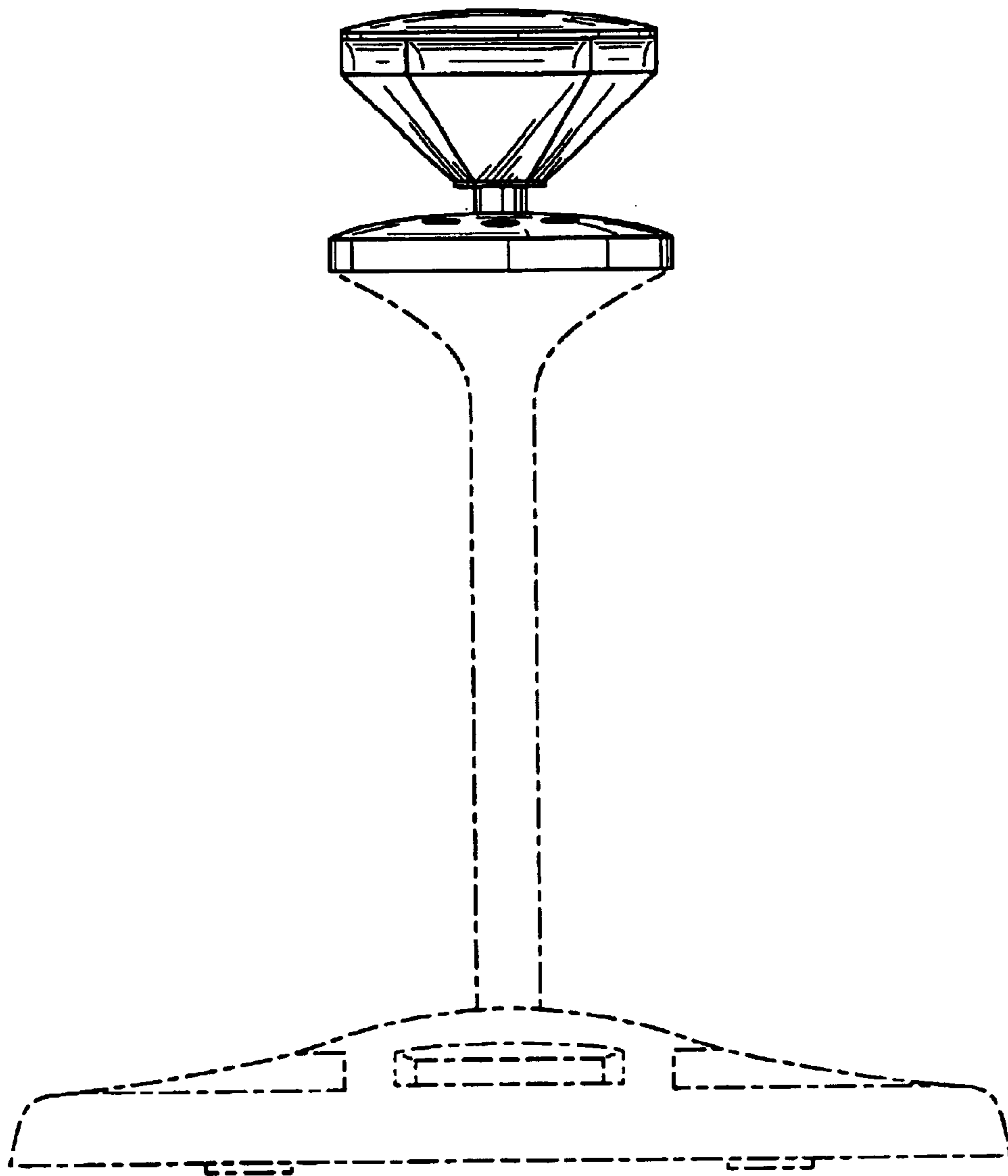


FIG. 2

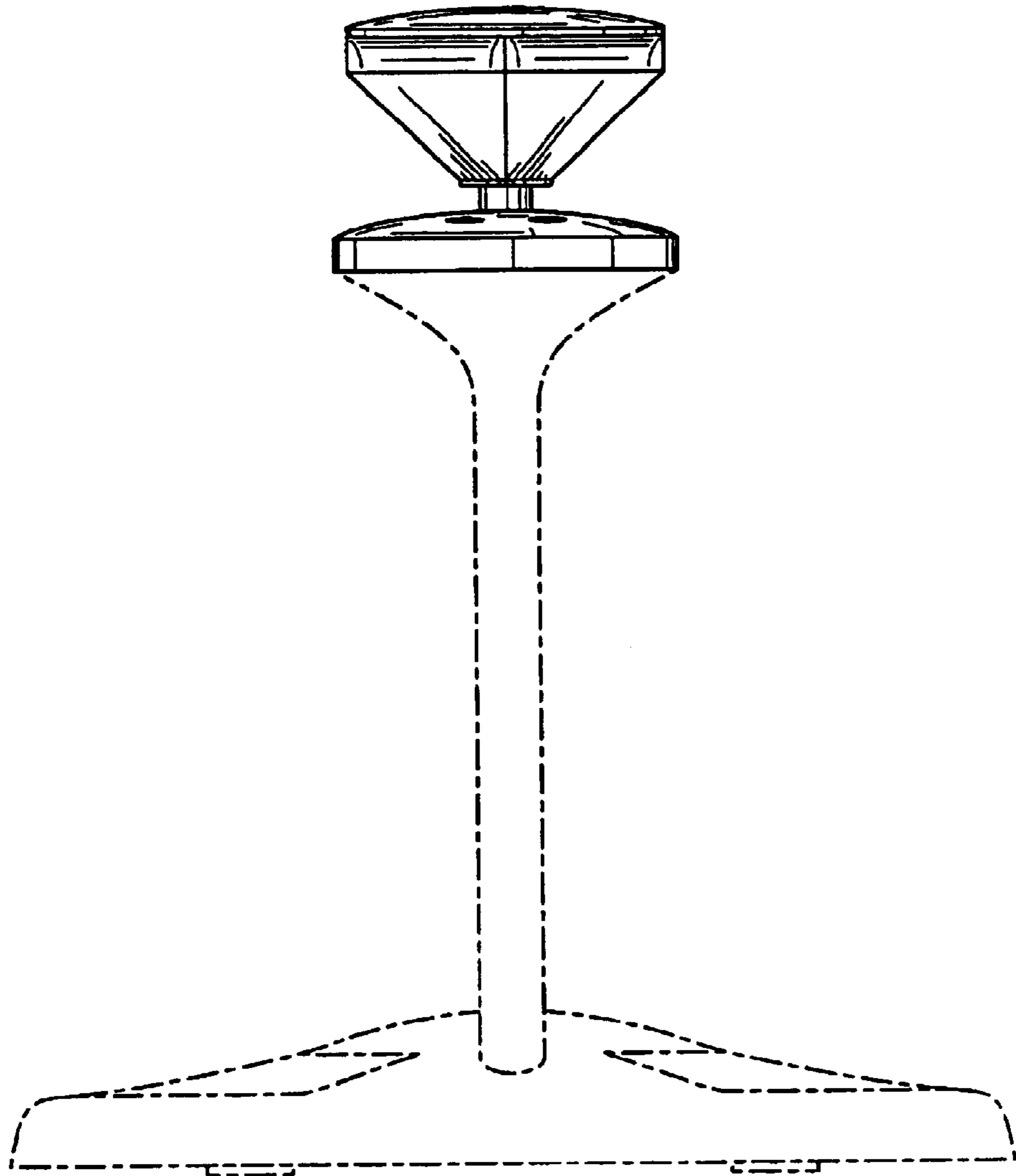


FIG. 3

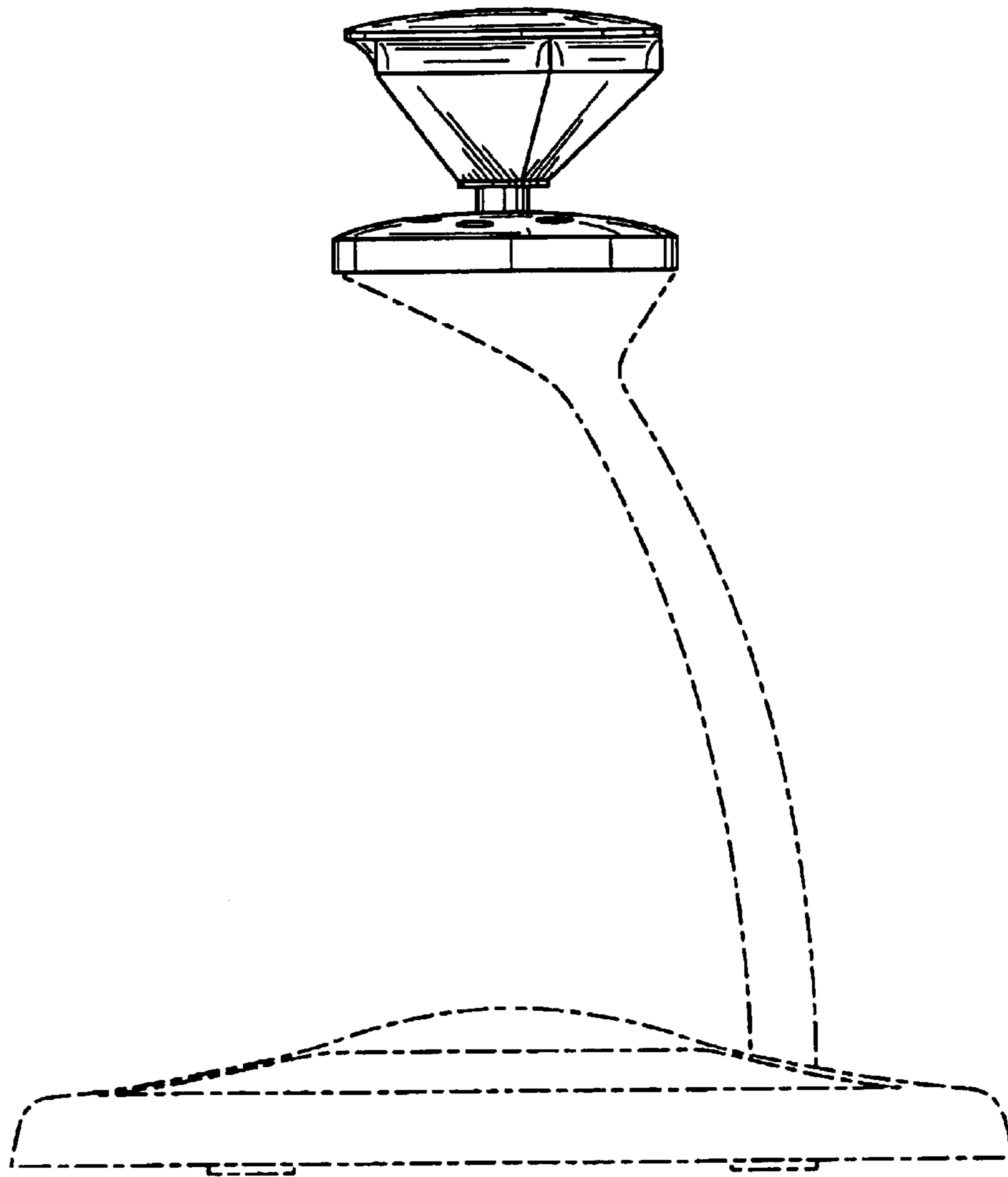


FIG. 4

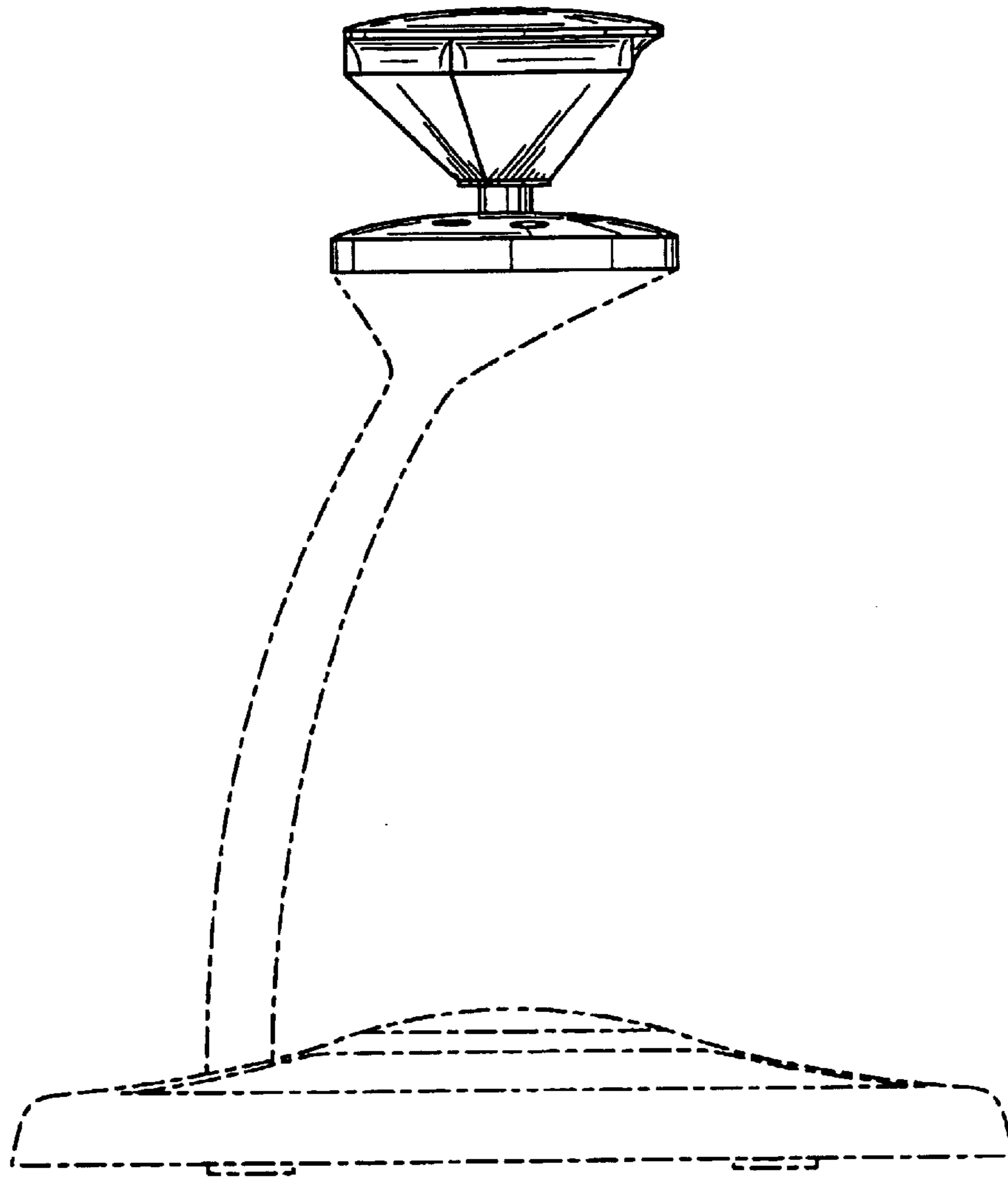


FIG. 5

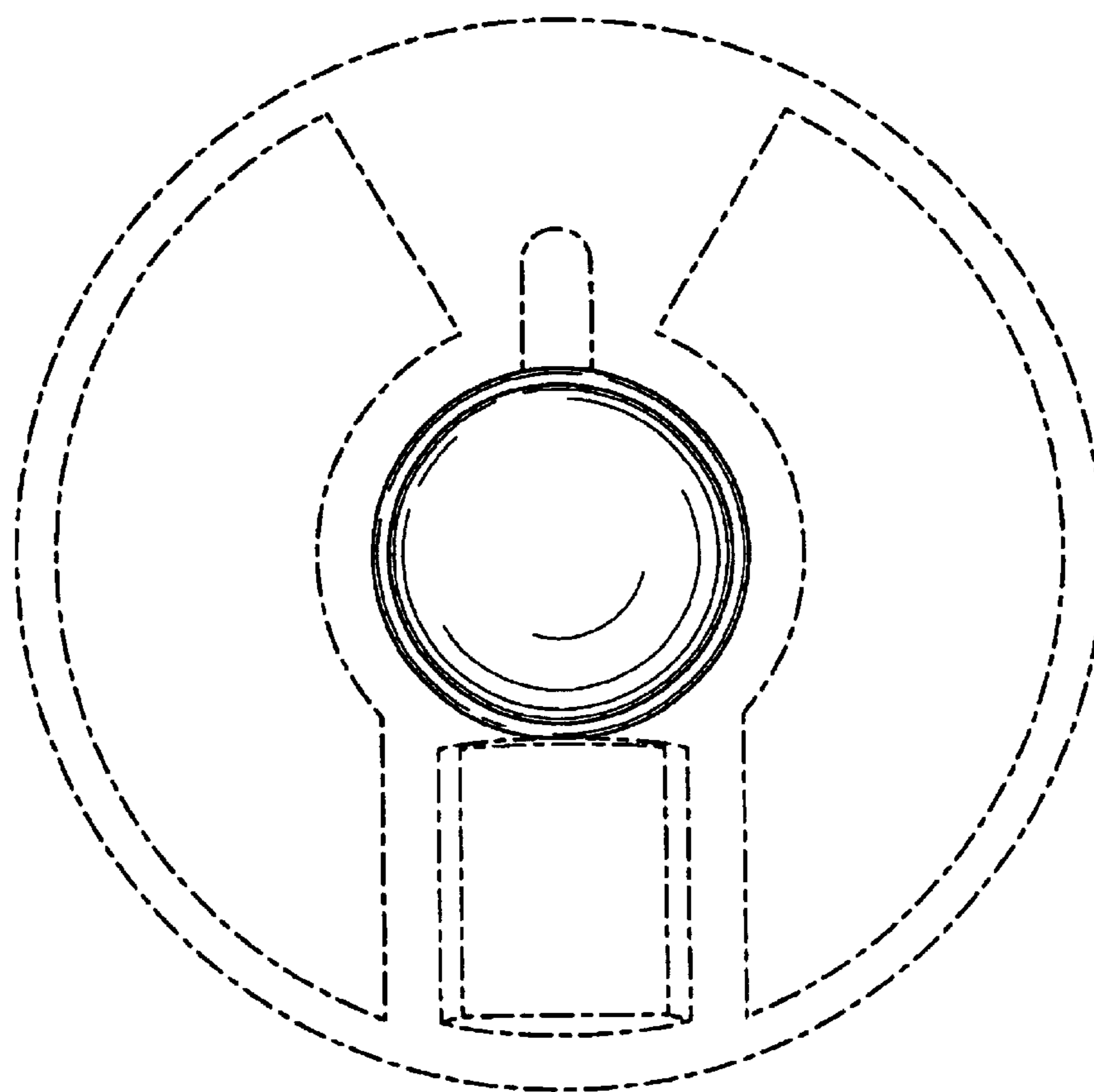


FIG. 6