



US00D508035S

(12) **United States Design Patent**  
**Kim et al.**

(10) **Patent No.:** **US D508,035 S**

(45) **Date of Patent:** **\*\* Aug. 2, 2005**

(54) **PORTABLE TELEPHONE**

(75) Inventors: **Hyun-Sook Kim, Yongin-Si (KR); Chang-Hwan Hwang, Goyang-Si (KR); Yoon-Young Cho, Seoul (KR)**

(73) Assignee: **Samsung Electronics Co., Ltd., Suwon (KR)**

(\*\*) **Term: 14 Years**

(21) **Appl. No.: 29/210,517**

(22) **Filed: Aug. 3, 2004**

(30) **Foreign Application Priority Data**

May 6, 2004 (KR) ..... 30-2004-0012984

(51) **LOC (8) Cl. .... 14-03**

(52) **U.S. Cl. .... D14/138**

(58) **Field of Search** ..... D14/137, 138, D14/147-148, 247-248, 144, 341-347; 379/433.01-433.13, 434; 455/550.1-90.3, 575.3, 566, 575.1; D21/517

(56) **References Cited**

**U.S. PATENT DOCUMENTS**

D445,412 S	*	7/2001	Lee et al.	.....	D14/138
D476,303 S	*	6/2003	Lee et al.	.....	D14/138
D477,296 S	*	7/2003	Minamide	.....	D14/138
D484,863 S	*	1/2004	Chan	.....	D14/138
D485,249 S	*	1/2004	Liao et al.	.....	D14/138
D486,809 S	*	2/2004	Hwang	.....	D14/138
D490,065 S	*	5/2004	Shimazu et al.	.....	D14/138
D491,547 S	*	6/2004	Cho	.....	D14/138
D492,275 S	*	6/2004	Lin et al.	.....	D14/138
D496,016 S	*	9/2004	Hoo	.....	D14/138
D498,734 S	*	11/2004	Joung	.....	D14/138
D500,016 S	*	12/2004	Kim	.....	D14/138
D500,481 S	*	1/2005	Kim et al.	.....	D14/138

D500,994 S	*	1/2005	Lee et al.	.....	D14/138
2002/0051060 A1	*	5/2002	Wada	.....	348/207
2003/0092401 A1	*	5/2003	Ikeuchi	.....	455/90
2003/0125079 A1	*	7/2003	Park et al.	.....	455/556
2004/0058724 A1	*	3/2004	Choi	.....	455/575.7
2004/0097262 A1	*	5/2004	Lee	.....	455/556.1
2004/0102225 A1	*	5/2004	Furuta et al.	.....	455/566
2004/0120514 A1	*	6/2004	Kitada	.....	379/428.01
2004/0142718 A1	*	7/2004	Kim	.....	455/550.1
2004/0142734 A1	*	7/2004	Kim	.....	455/575.1
2004/0185925 A1	*	9/2004	Kim	.....	455/575.3
2004/0203535 A1	*	10/2004	Kim et al.	.....	455/90.3
2004/0214619 A1	*	10/2004	Chiang	.....	455/575.3
2004/0229646 A1	*	11/2004	Cho	.....	455/556.1
2004/0229666 A1	*	11/2004	Lee	.....	455/575.1
2005/0003852 A1	*	1/2005	Song	.....	455/550.1

**FOREIGN PATENT DOCUMENTS**

WO DM/064560 \* 10/2003

\* cited by examiner

*Primary Examiner*—Jeffrey Asch

(74) *Attorney, Agent, or Firm*—Leydig, Voit & Mayer, Ltd.

(57) **CLAIM**

We claim the ornamental design for a portable telephone, as shown and described.

**DESCRIPTION**

FIG. 1 is a perspective view of a portable telephone, when closed, according to our new design; FIG. 2 is a front view thereof, when closed; FIG. 3 is a rear view thereof, when closed; FIG. 4 is a left side view thereof, when closed; FIG. 5 is a right side view thereof, when closed; FIG. 6 is a top view thereof, when closed; FIG. 7 is a bottom view thereof, when closed; and, FIG. 8 is a front view thereof, when open.

**1 Claim, 5 Drawing Sheets**

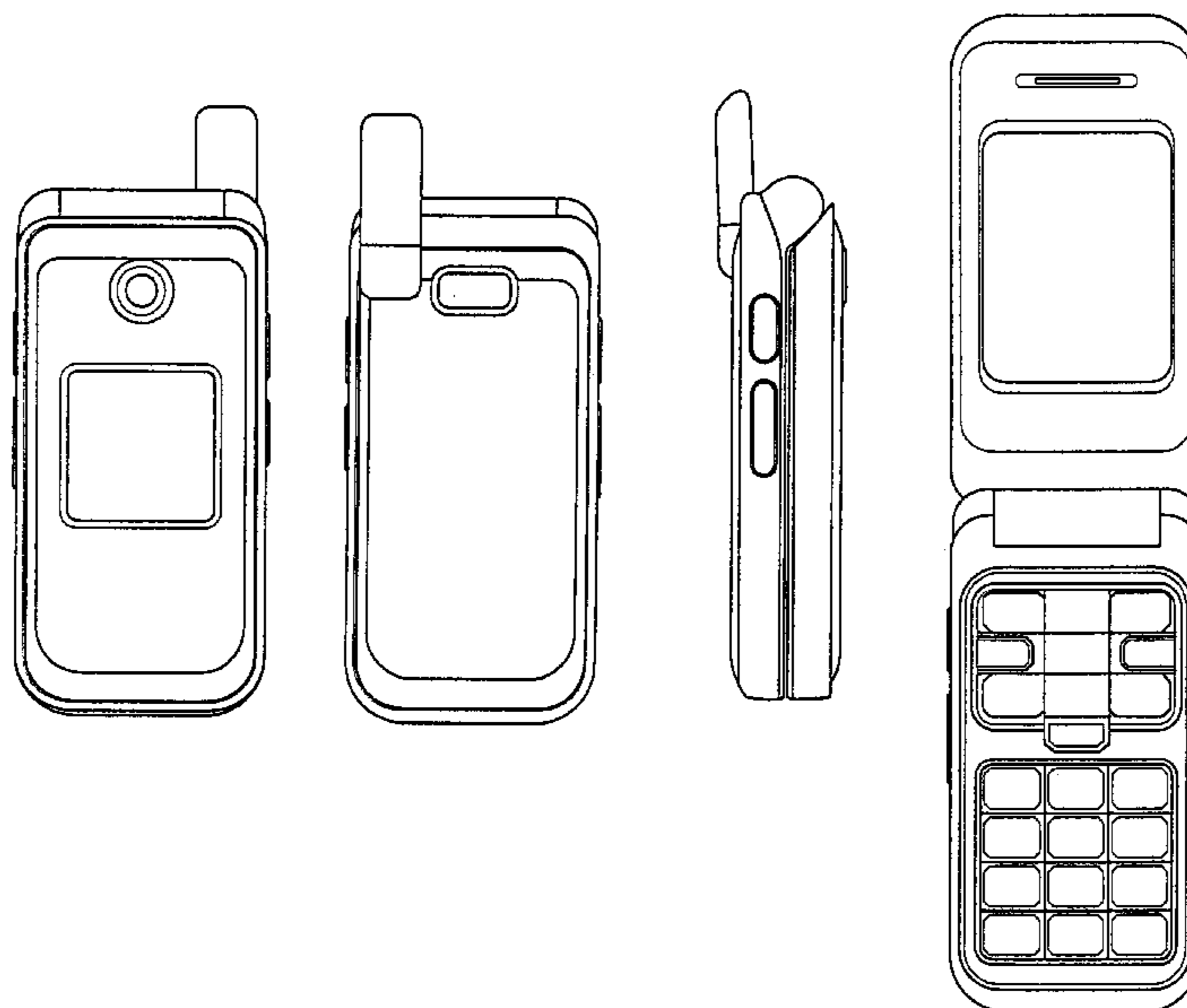


Fig. 1

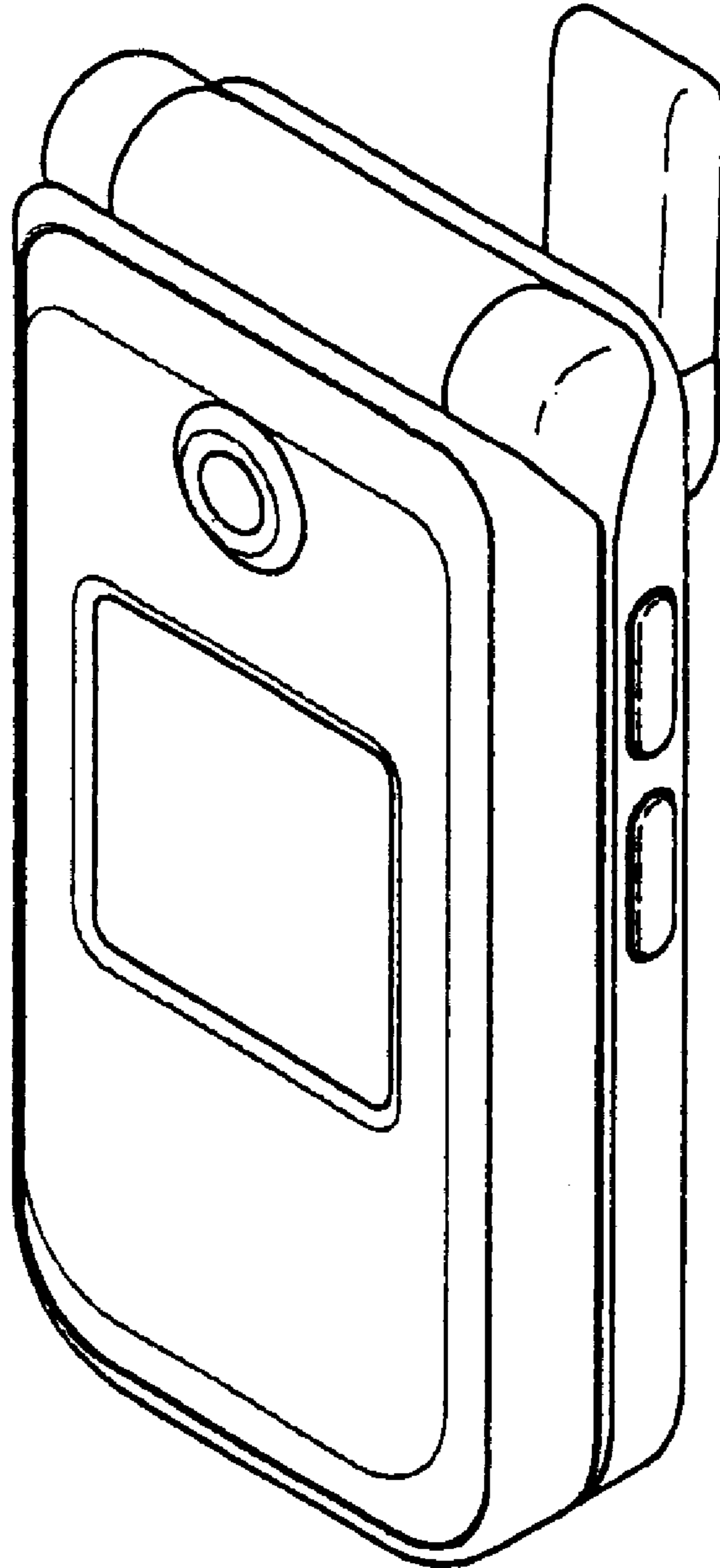


Fig. 2

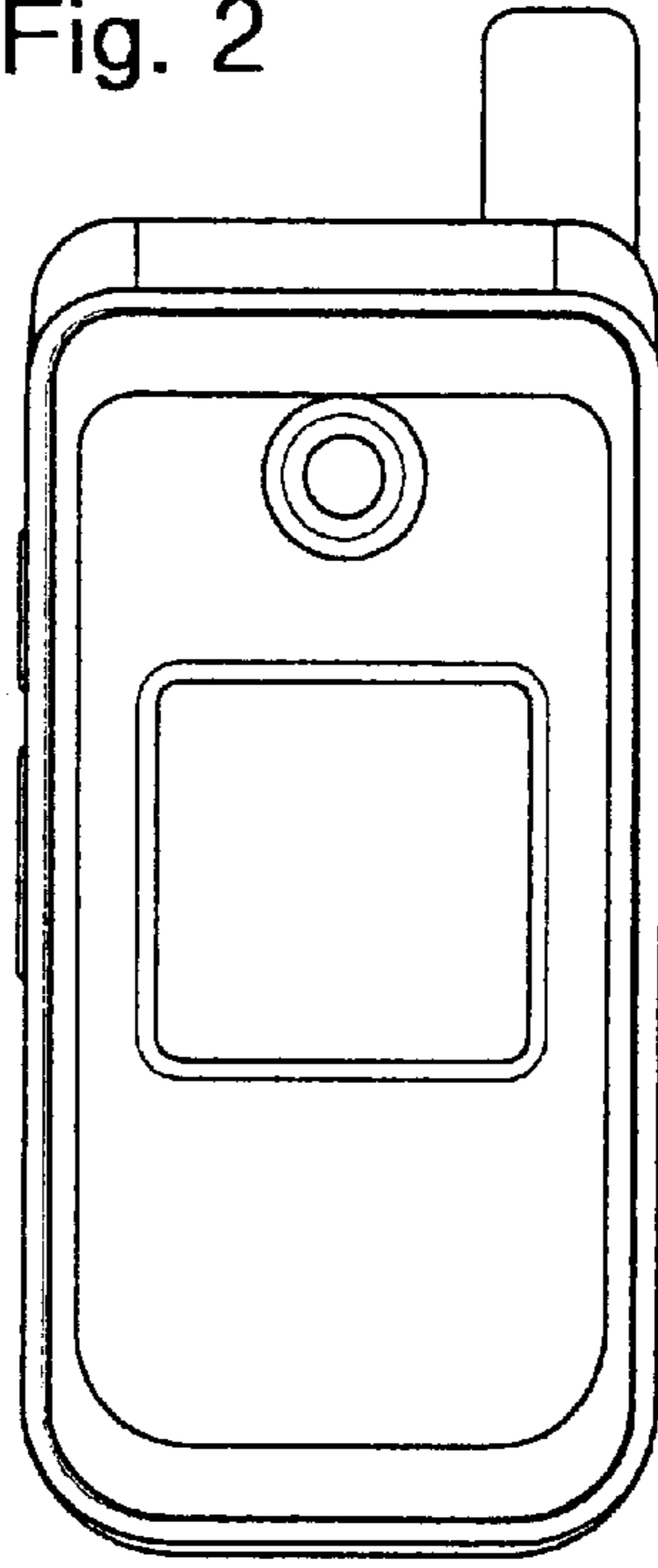
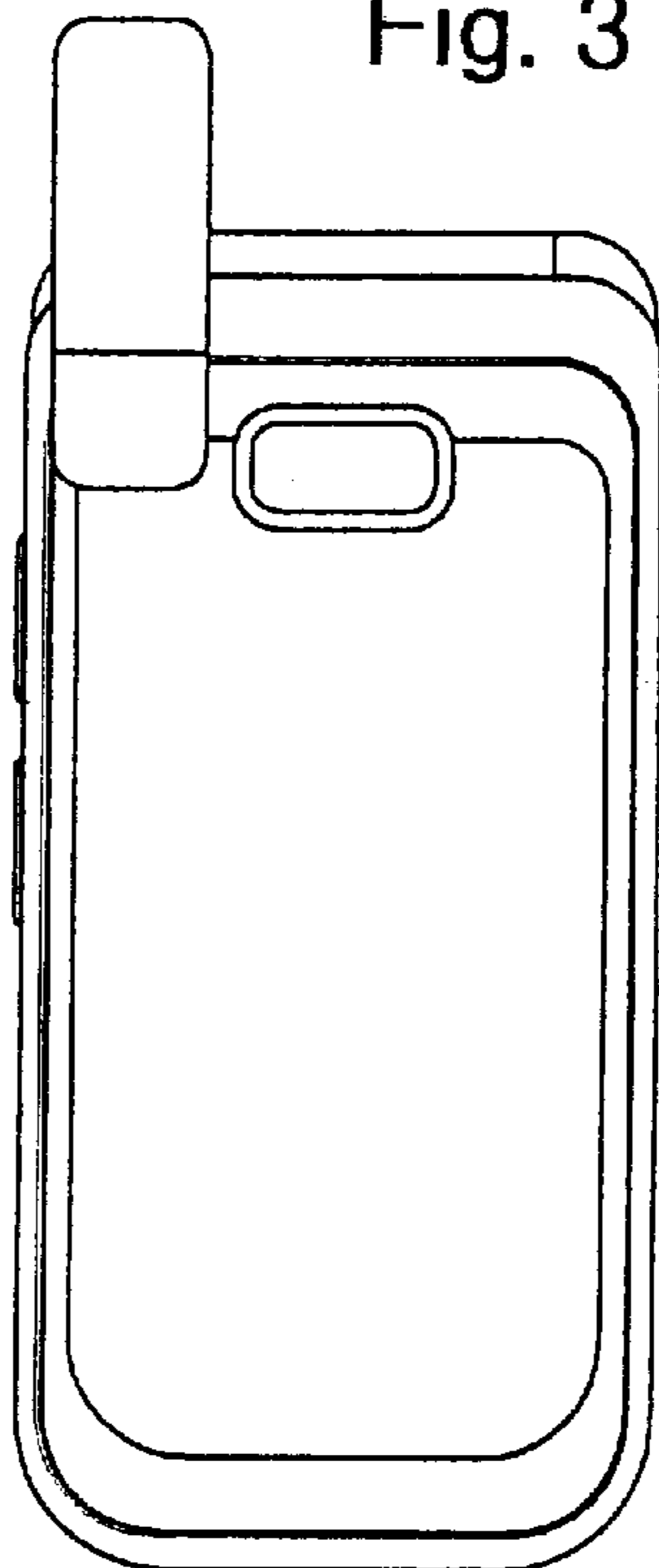


Fig. 3



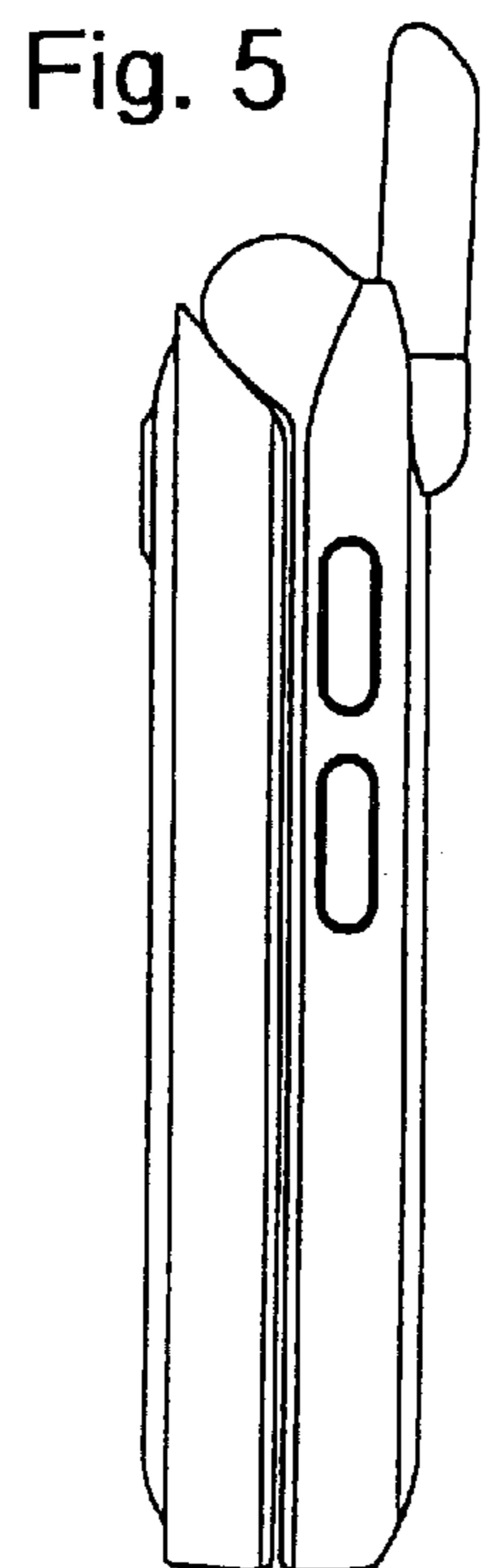
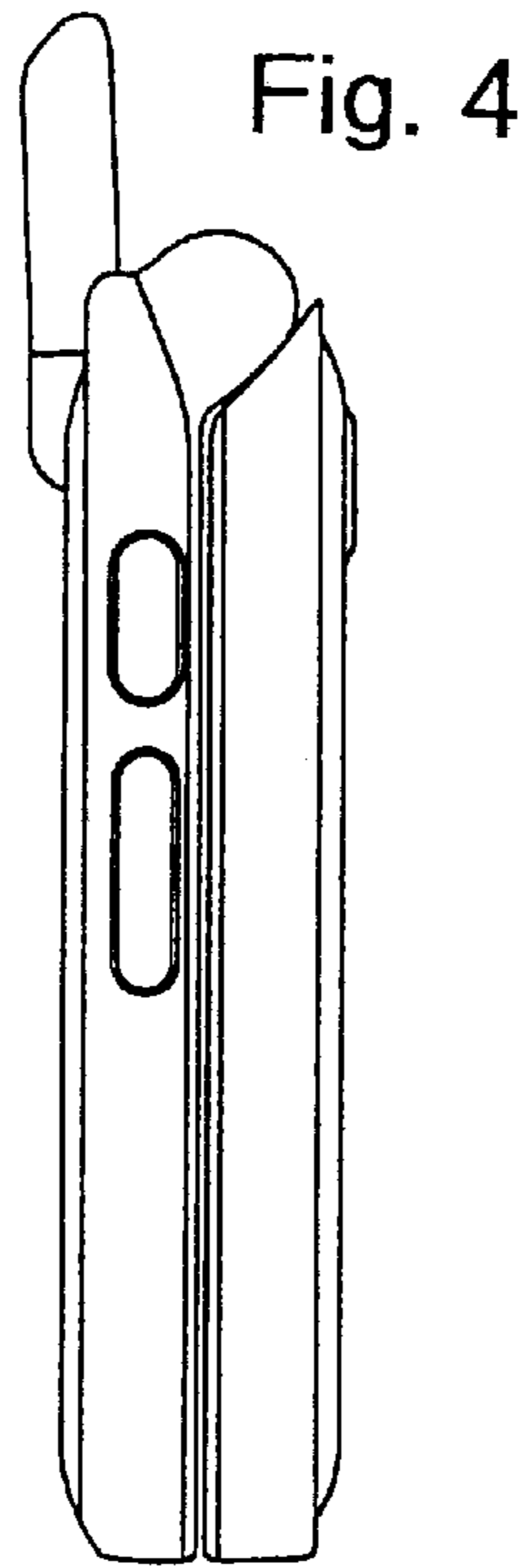


Fig. 6

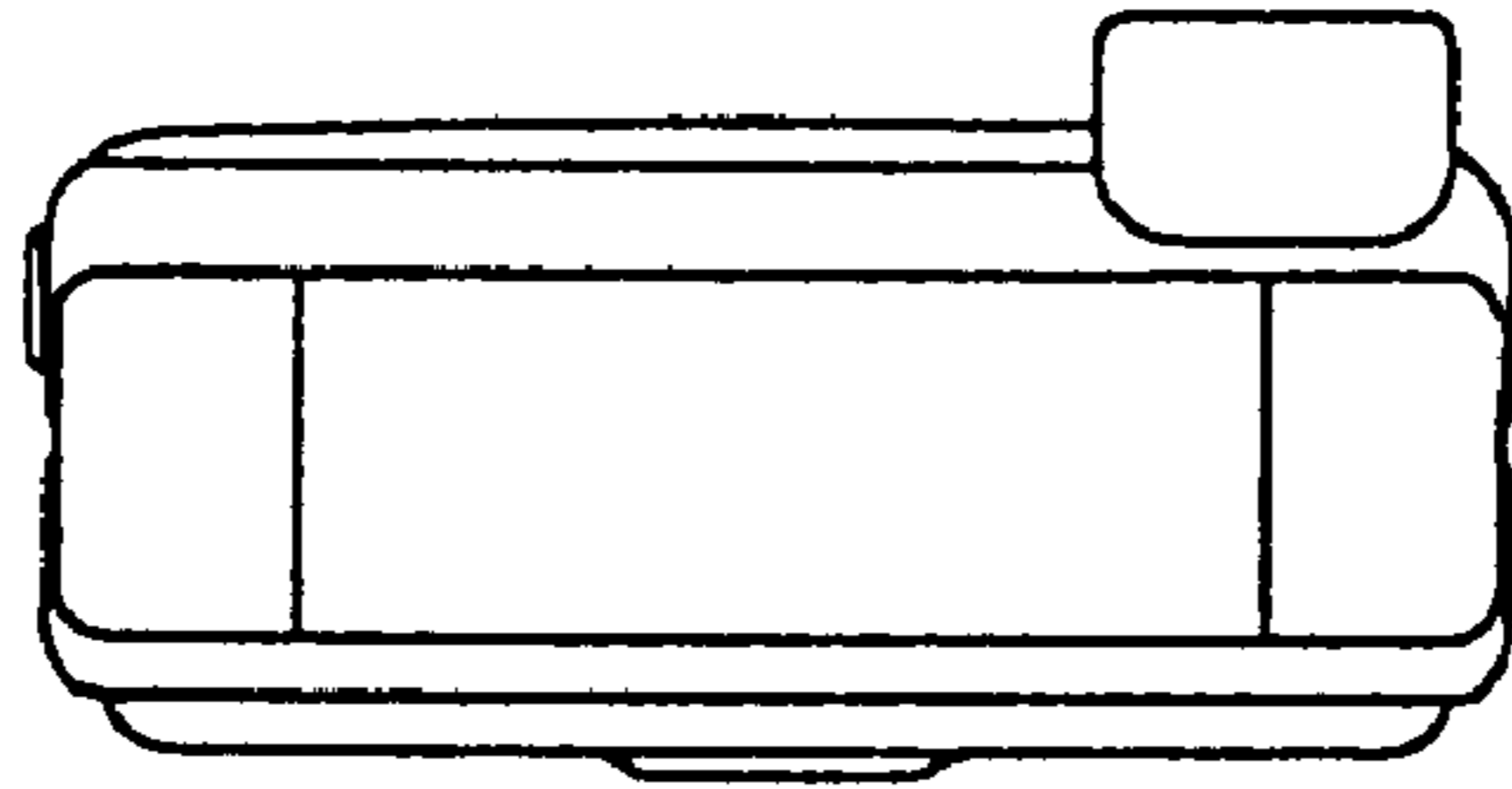


Fig. 7

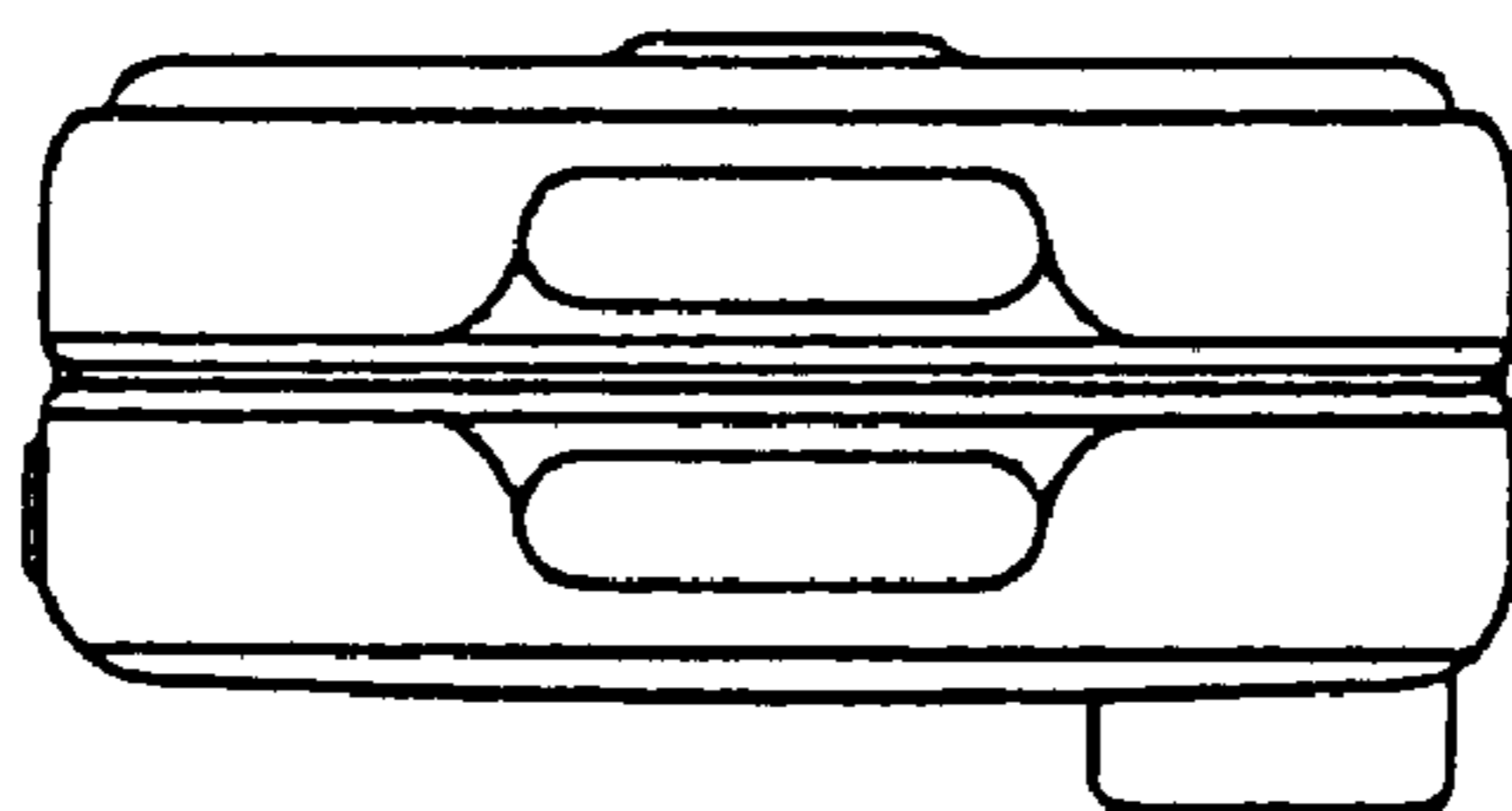


Fig. 8

