

US00D508027S

(12) **United States Design Patent**
Shingt

(10) **Patent No.:** **US D508,027 S**

(45) **Date of Patent:** **** Aug. 2, 2005**

(54) **POWER DISTRIBUTION CENTER HOUSING**

D437,586 S * 2/2001 Sonntag D13/184
6,239,956 B1 * 5/2001 Shirai et al. 361/18

(76) Inventor: **Yuen Kim Shingt**, 14A, Hung To
Commerical Bldg., 357 Lockhart Road,
Wan Cha 1, Hong Kong (HK)

* cited by examiner

(**) Term: **14 Years**

Primary Examiner—Stella Reid
Assistant Examiner—Selina Sikder
(74) *Attorney, Agent, or Firm*—Malloy & Malloy, P.A.

(21) Appl. No.: **29/219,115**

(57) **CLAIM**

(22) Filed: **Dec. 13, 2004**

The ornamental design for power distribution center housing, as shown and described.

(51) **LOC (8) Cl.** **13-03**

(52) **U.S. Cl.** **D13/184**

(58) **Field of Search** D13/184; D14/240;
174/50, 52.1, 65 R; 361/600, 601, 679,
724, 796

DESCRIPTION

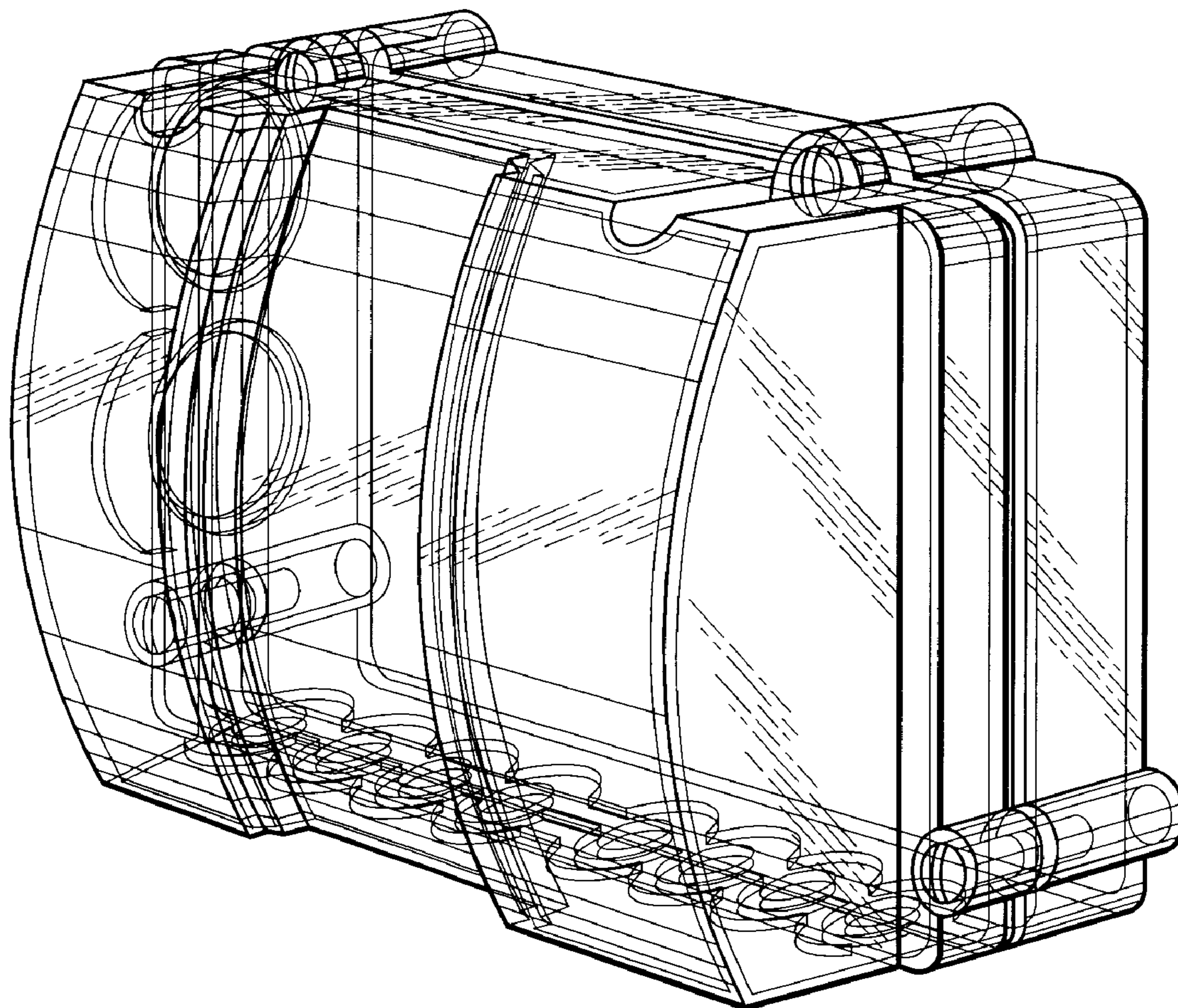
FIG. 1 is a front perspective view illustrating my design for a power distribution center housing;
FIG. 2 is a bottom view thereof;
FIG. 3 is a left side view thereof;
FIG. 4 is a front view thereof;
FIG. 5 is a right side view thereof;
FIG. 6 is a top view thereof; and,
FIG. 7 is a rear view thereof.

(56) **References Cited**

U.S. PATENT DOCUMENTS

3,666,134 A * 5/1972 Rauch 220/324
D360,620 S * 7/1995 Gehrs et al. D13/184
D360,877 S * 8/1995 Ropponen et al. D13/184
5,959,250 A * 9/1999 Daoud 174/65 R

1 Claim, 5 Drawing Sheets



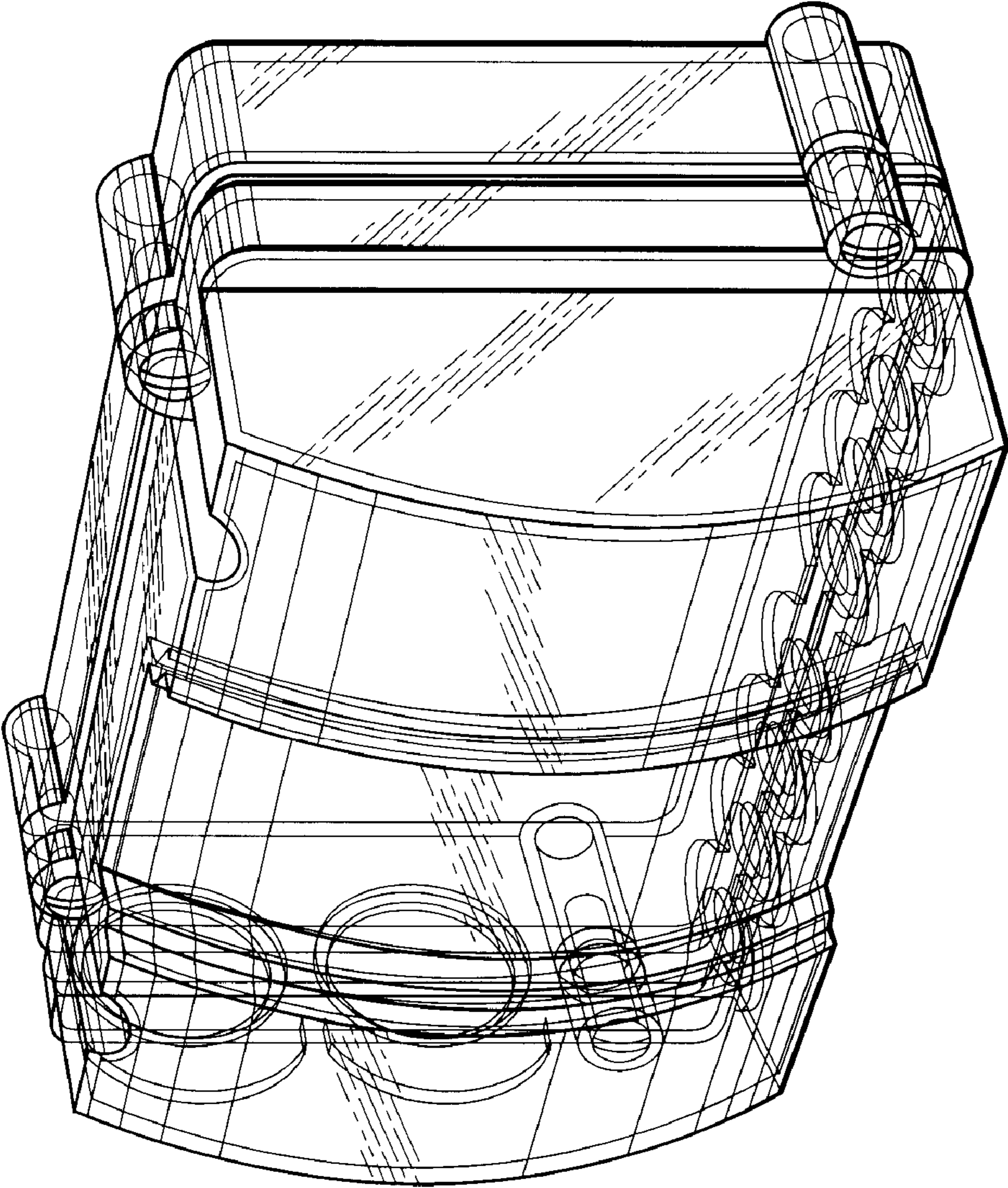


FIG. 1

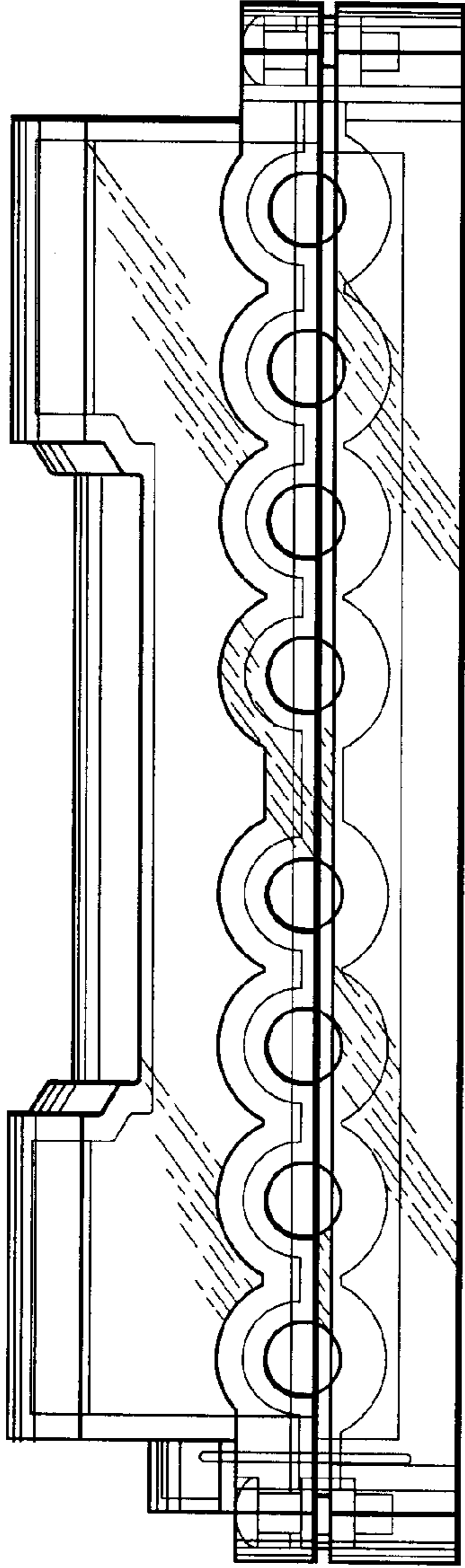


FIG. 2

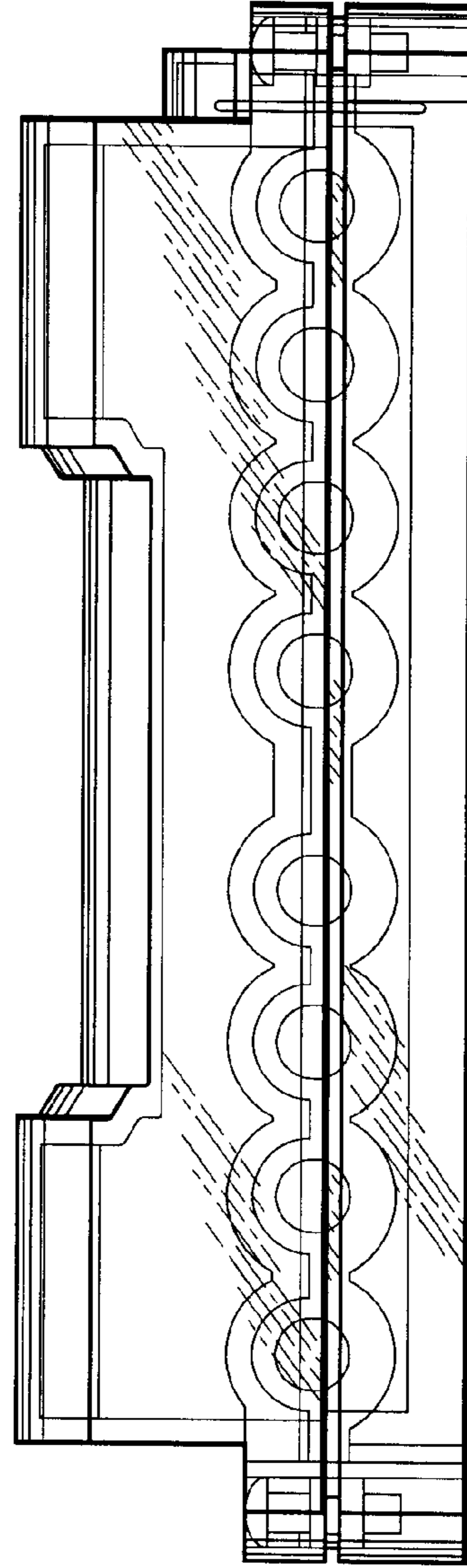


FIG. 6

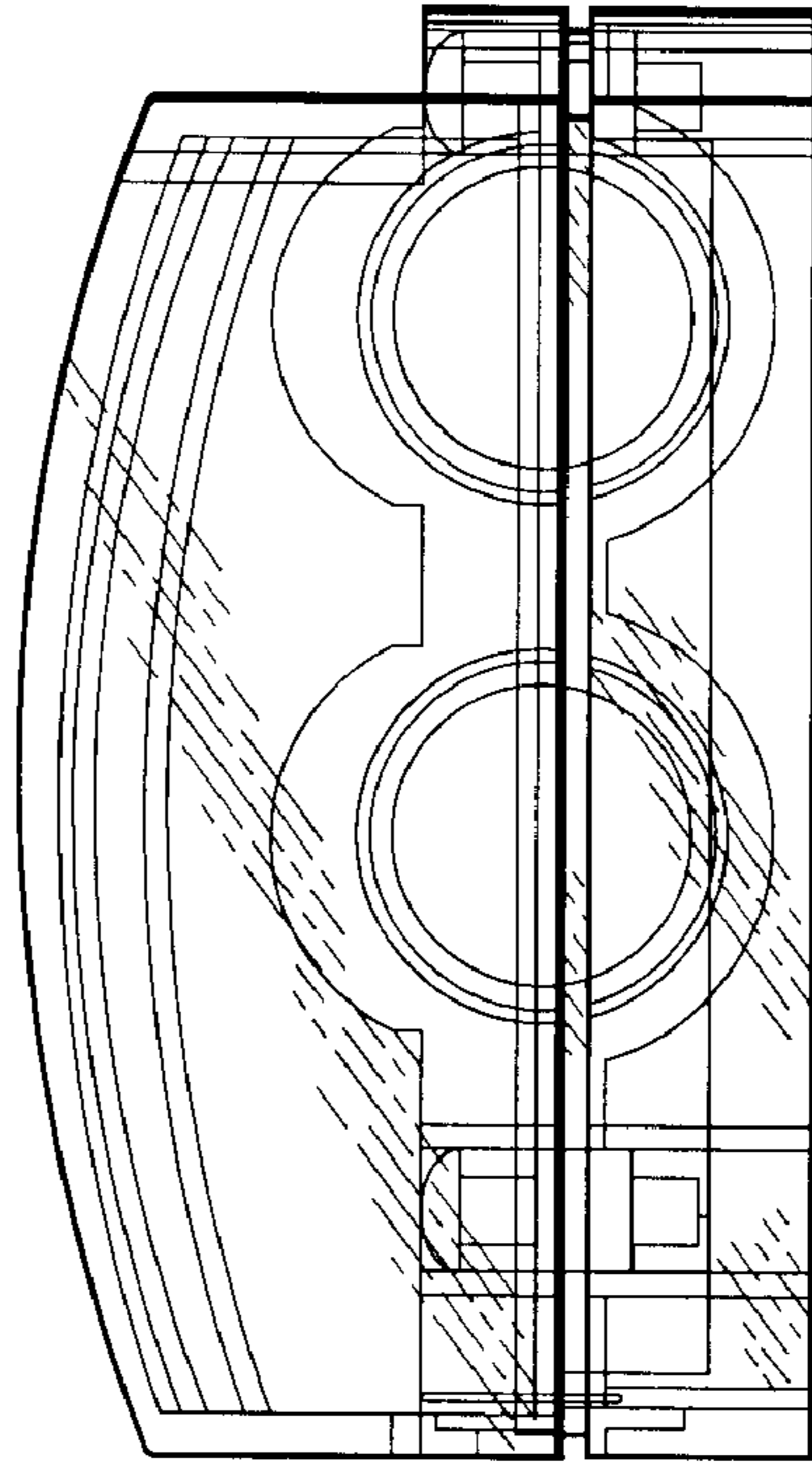


FIG. 5

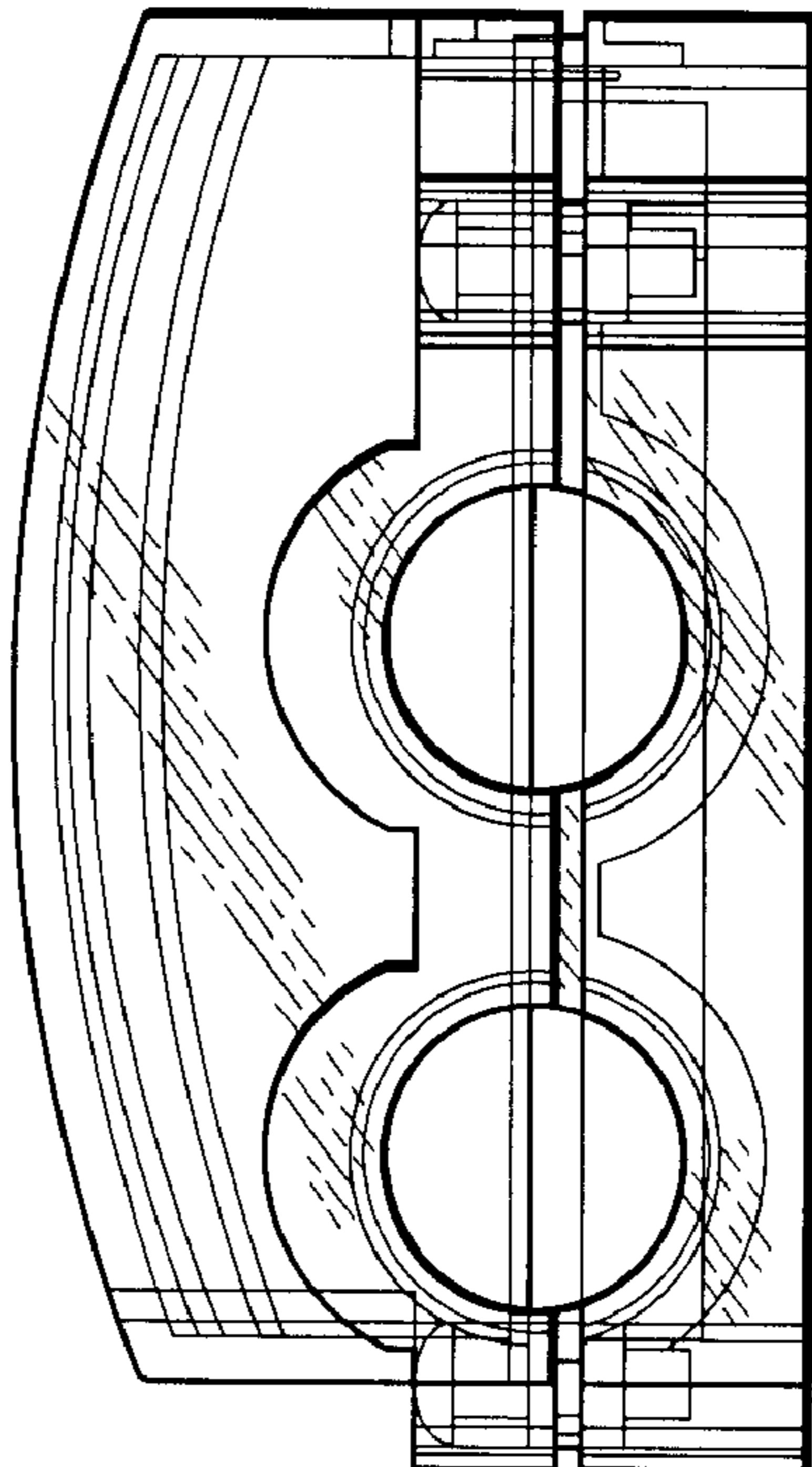


FIG. 3

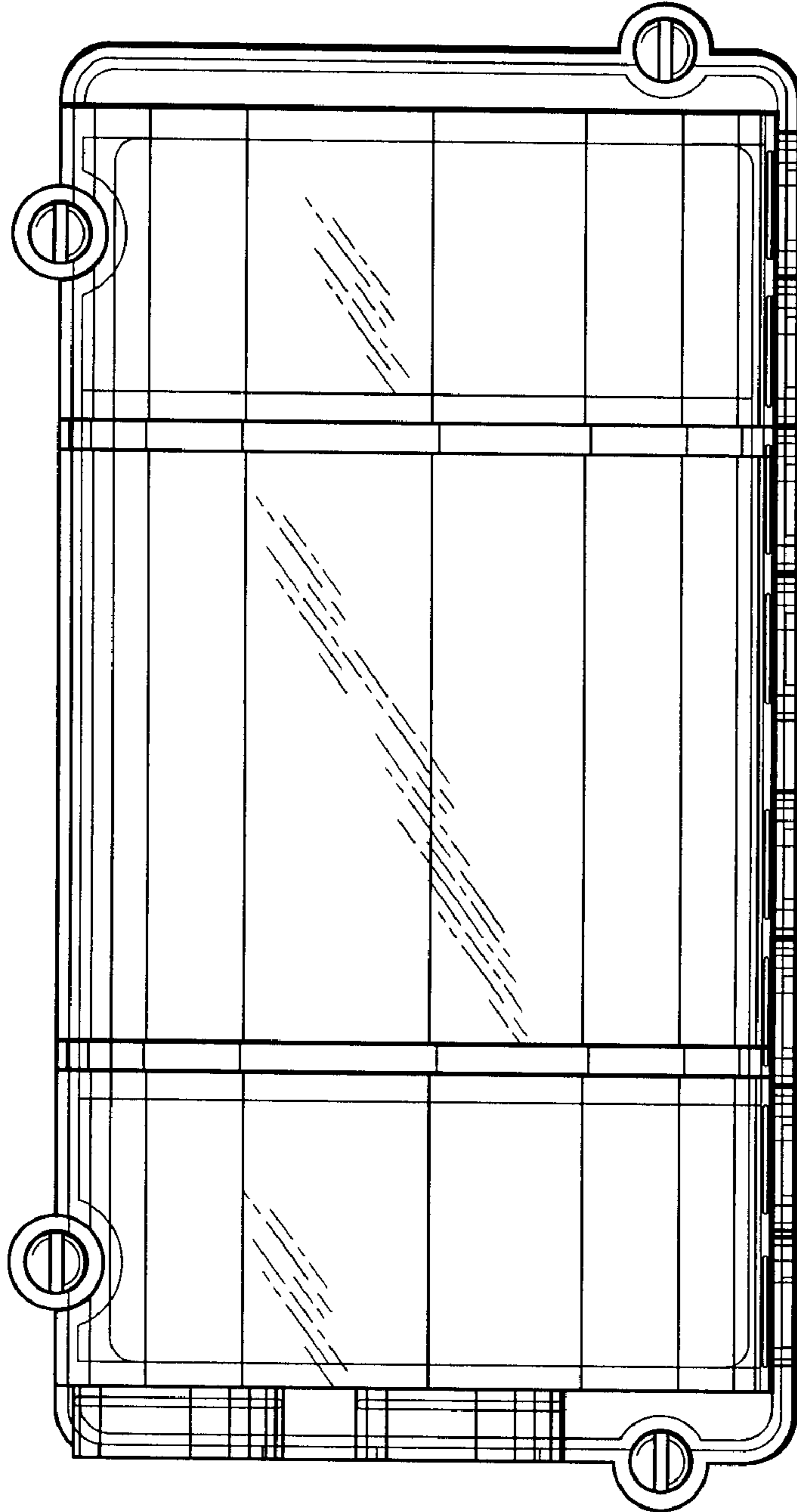


FIG. 4

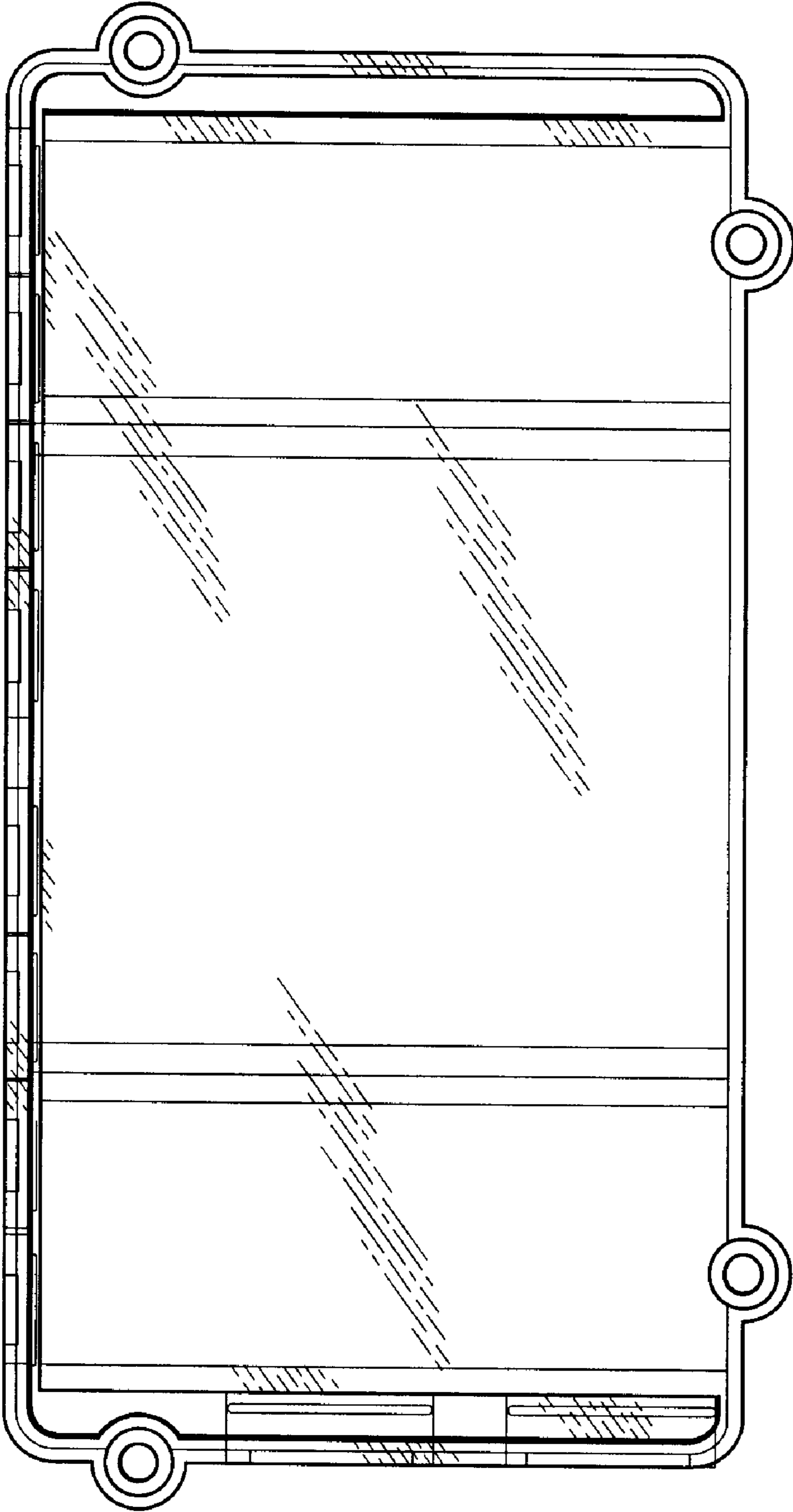


FIG. 7