

US00D508025S

(12) **United States Design Patent**
Dirks

(10) **Patent No.:** **US D508,025 S**

(45) **Date of Patent:** **** Aug. 2, 2005**

(54) **HOLDER FOR A POWERED DEVICE**

(75) **Inventor:** **Keith W. Dirks, Sterling, IL (US)**

(73) **Assignee:** **Wahl Clipper Corporation, Sterling, IL (US)**

(**) **Term:** **14 Years**

(21) **Appl. No.:** **29/169,117**

(22) **Filed:** **Oct. 15, 2002**

(51) **LOC (8) Cl. 13-03**

(52) **U.S. Cl. D13/154**

(58) **Field of Search D13/154; 248/74.4; 174/135; 439/373, 369, 781**

(56) **References Cited**

U.S. PATENT DOCUMENTS

2,167,541	A	*	7/1939	Young	191/12	R
3,290,453	A	*	12/1966	Jensen	191/12.4	
3,689,868	A	*	9/1972	Snyder	439/501	
5,507,667	A	*	4/1996	Hahn et al.	439/501	
D434,733	S	*	12/2000	Brown et al.	D13/154	

* cited by examiner

Primary Examiner—Holly Baynham
Assistant Examiner—Cynthia M. Chin

(74) *Attorney, Agent, or Firm*—Greer, Burns & Crain, Ltd.

(57) **CLAIM**

The ornamental design for a holder for a powered device, as shown and described.

DESCRIPTION

FIG. 1 is a front perspective view of the present new design of a holder for a powered device, shown with the device cradle pivoted into a first position;

FIG. 2 is a top view of the FIG. 1 embodiment;

FIG. 3 is a bottom view of the FIG. 1 embodiment;

FIG. 4 is a left view of the FIG. 1 embodiment;

FIG. 5 is a right view of the FIG. 1 embodiment;

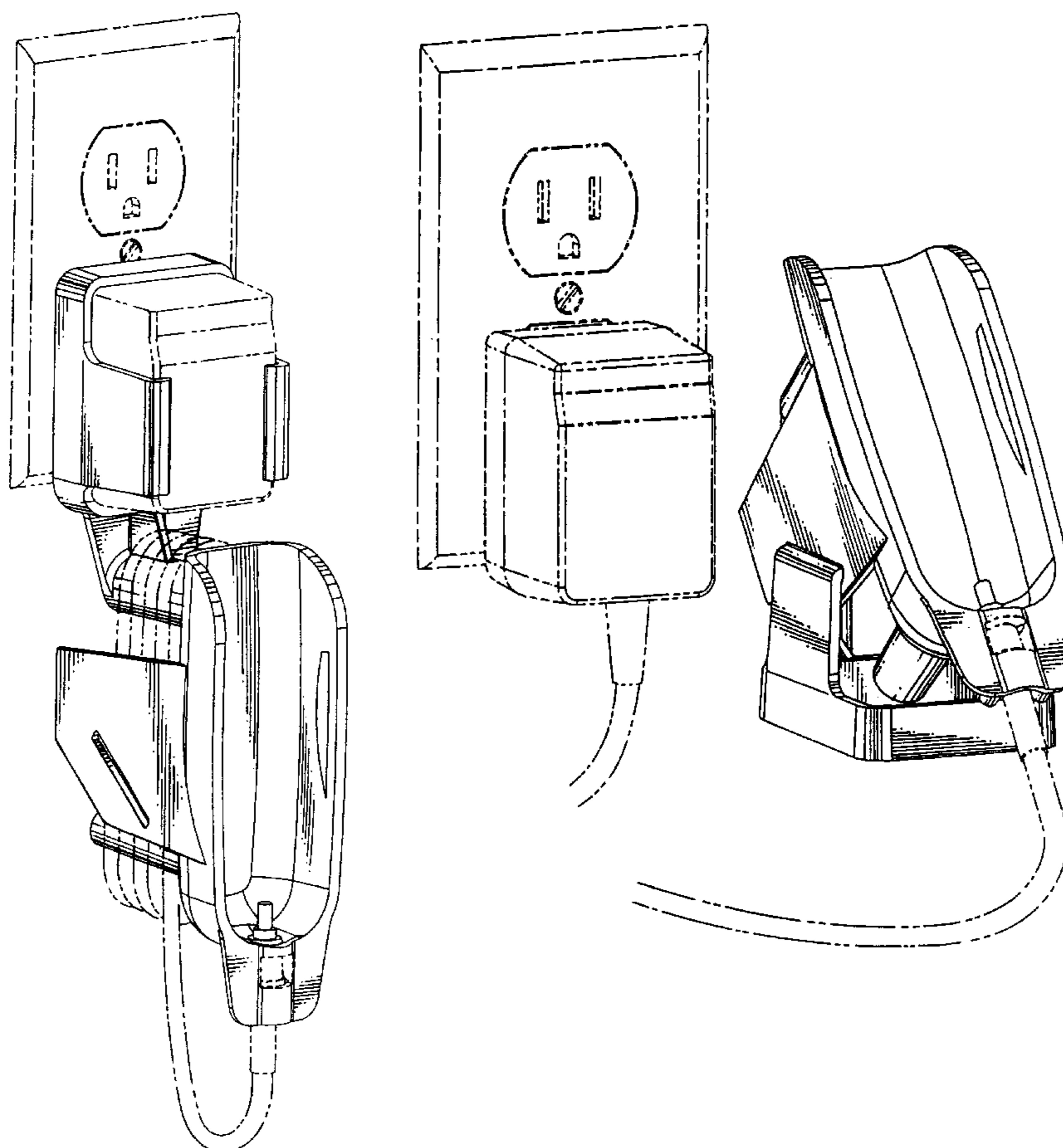
FIG. 6 a front view of the FIG. 1 embodiment;

FIG. 7 is a rear view of the FIG. 1 embodiment;

FIG. 8 is another front perspective view of the device of FIG. 1, shown connected to a horizontally extending electrical outlet, and also shown with the device cradle pivoted into a second position; and,

FIG. 9 is front perspective view of the device of FIG. 1, shown with the device cradle seated upon the other member. It should be noted that the broken lines showing the powered device, the transformer, the cord, the electrical outlet, and the rectangular cutout portion near the bottom of the device cradle are for illustrative purposes only and form no part of the claimed design.

1 Claim, 6 Drawing Sheets



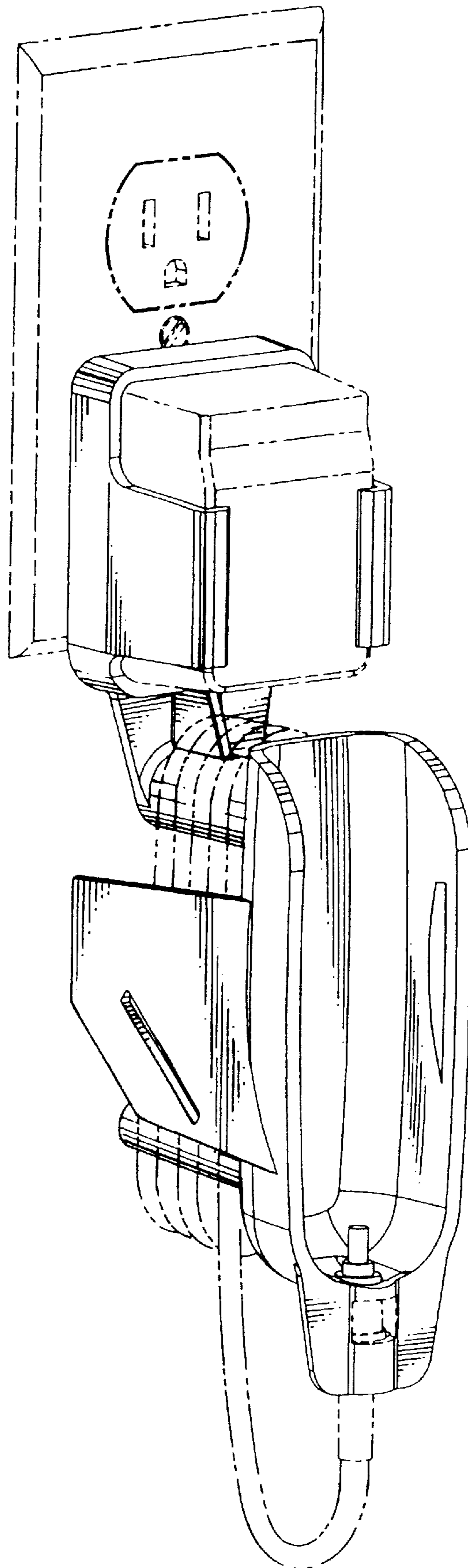


Fig. 1

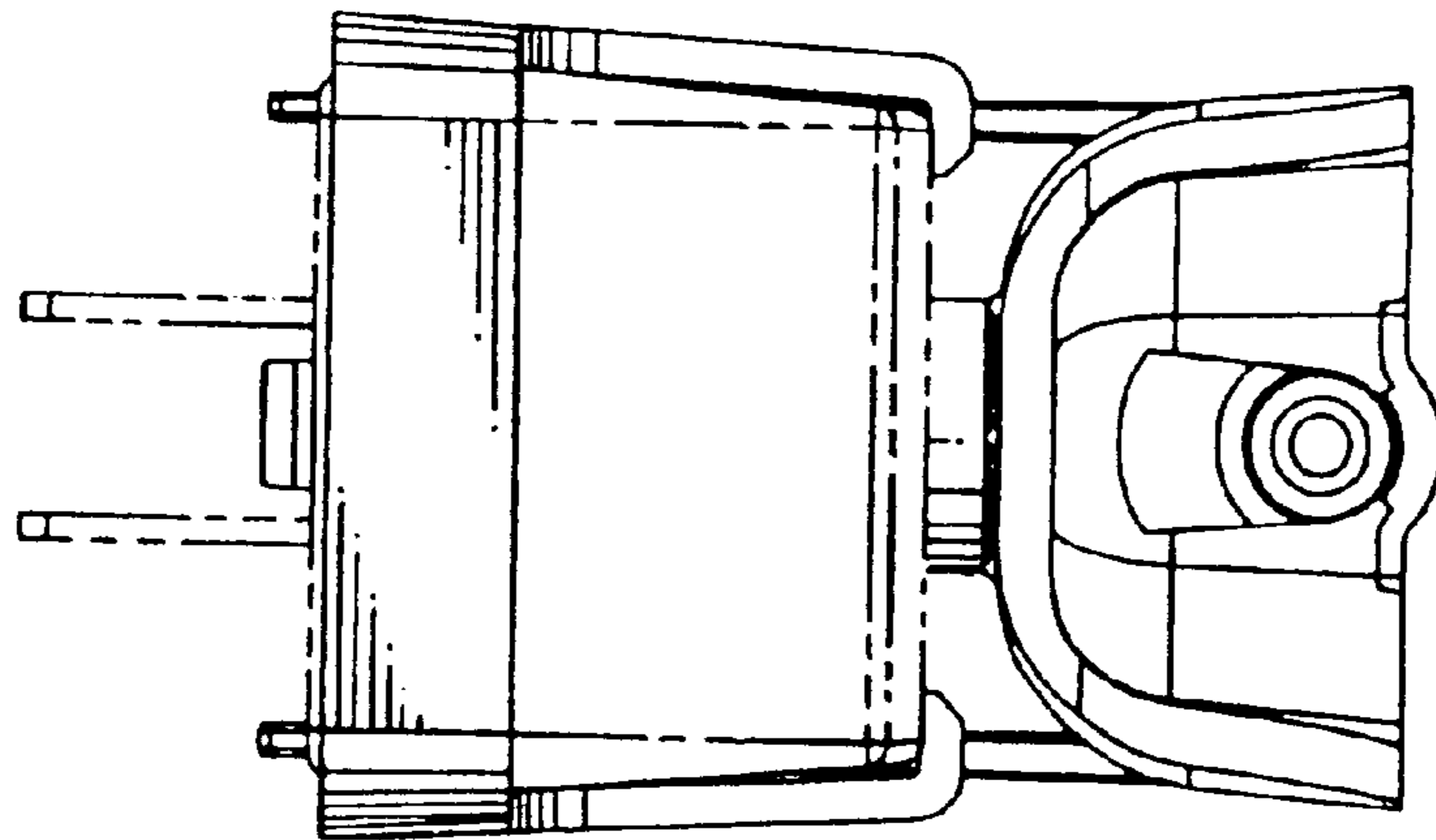


Fig. 2

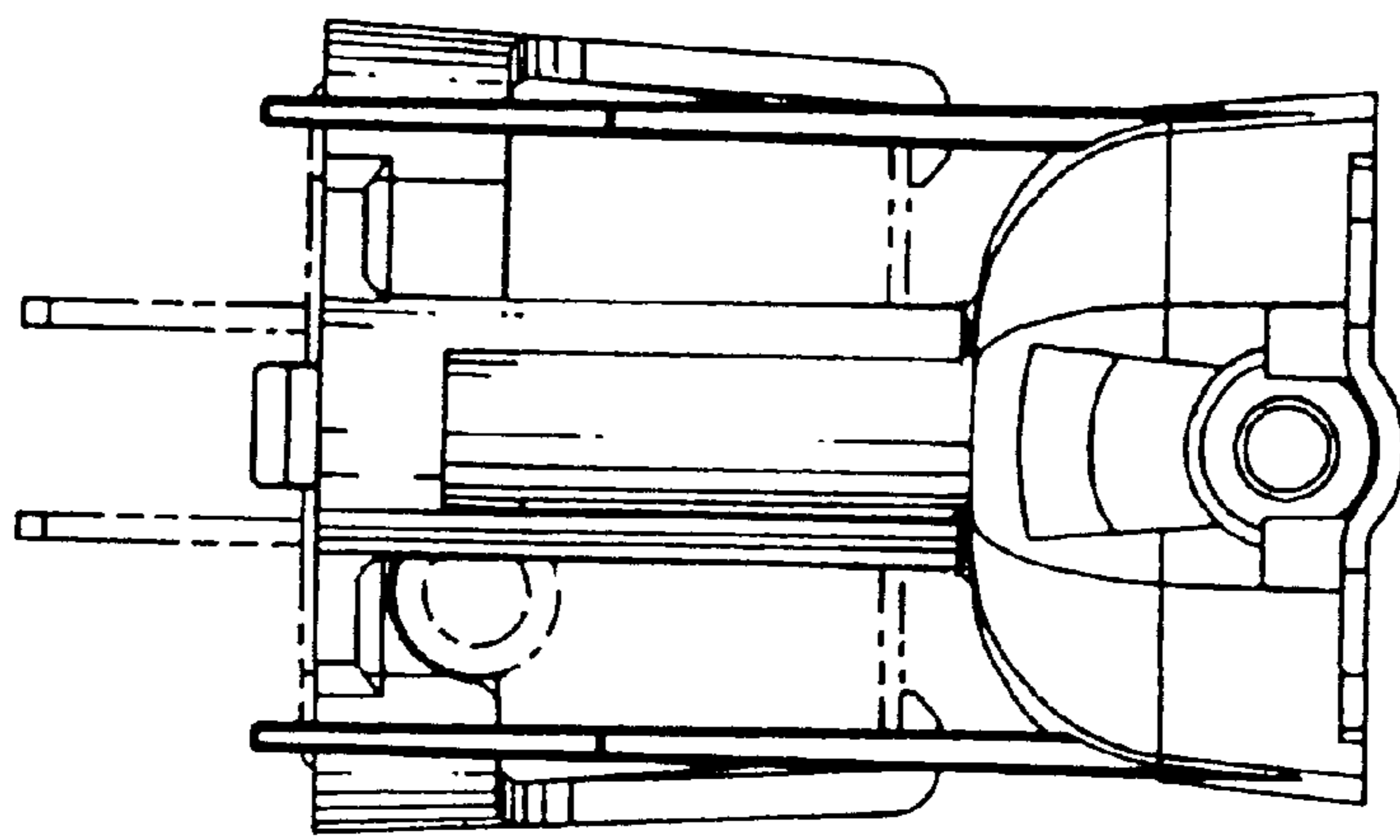


Fig. 3

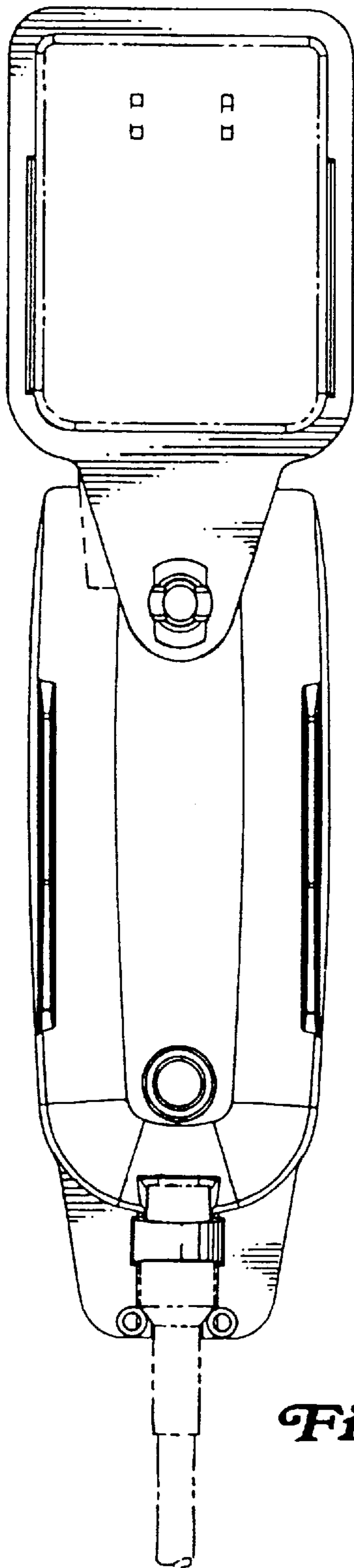


Fig. 7

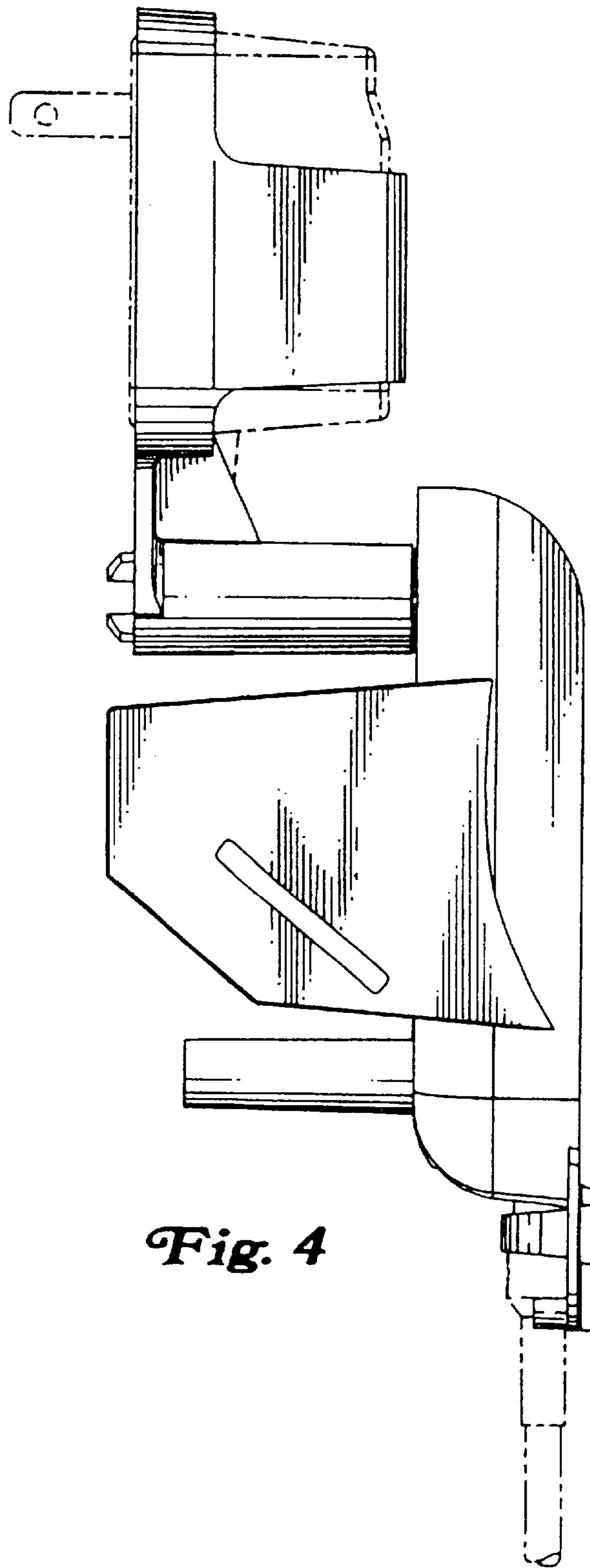


Fig. 4

Fig. 6

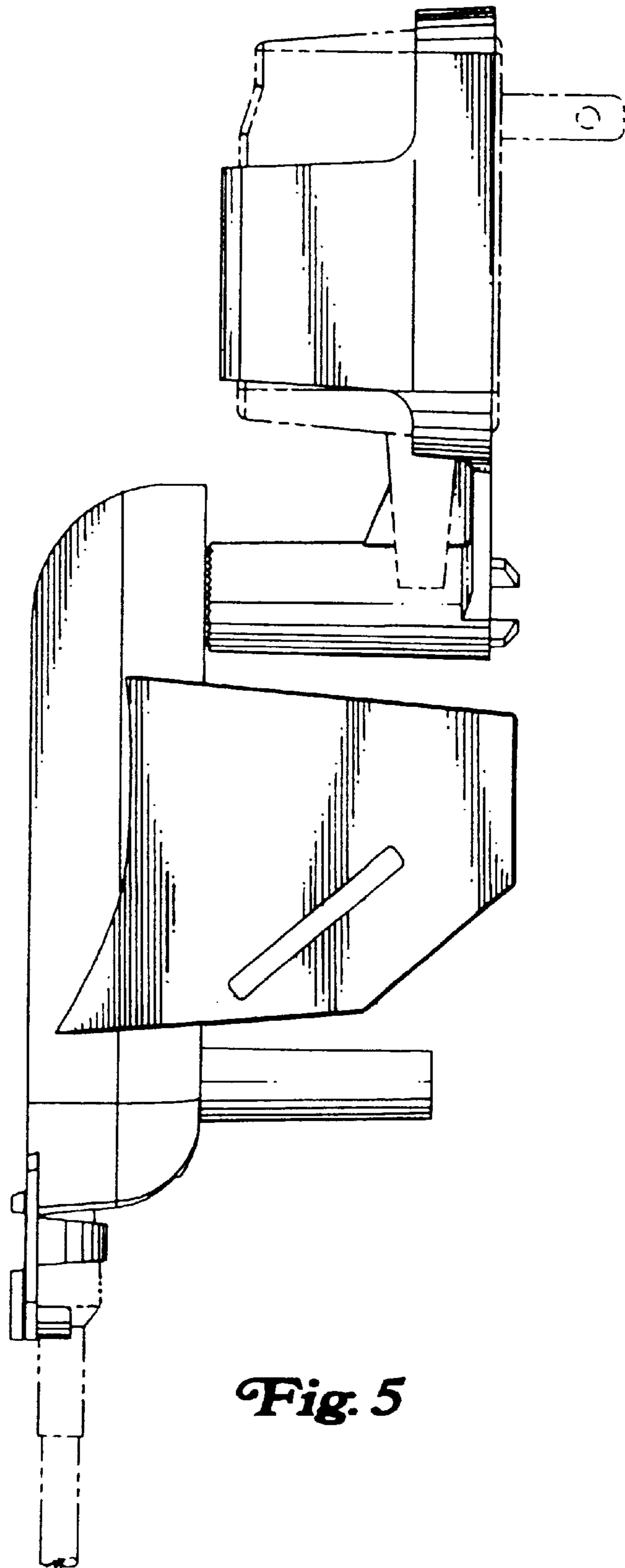
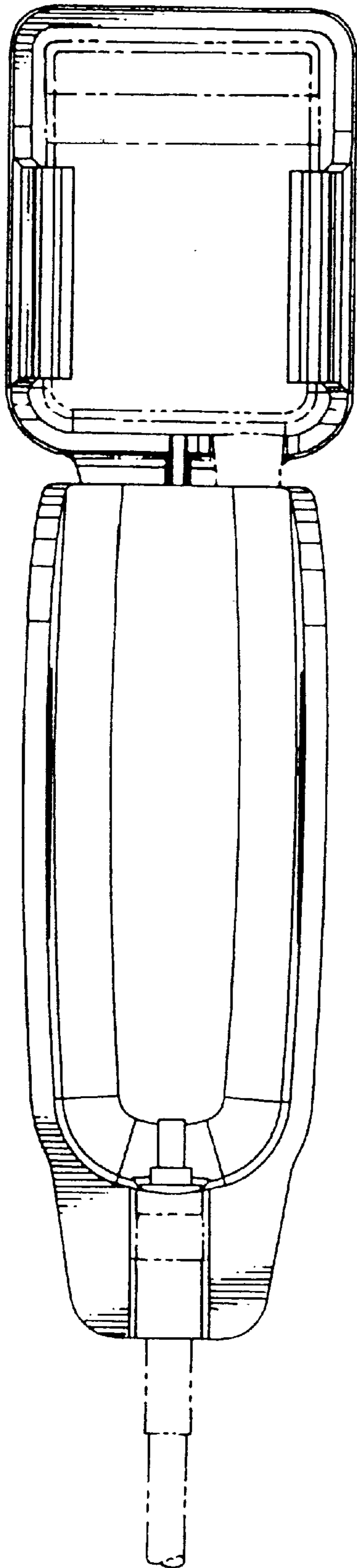


Fig. 5

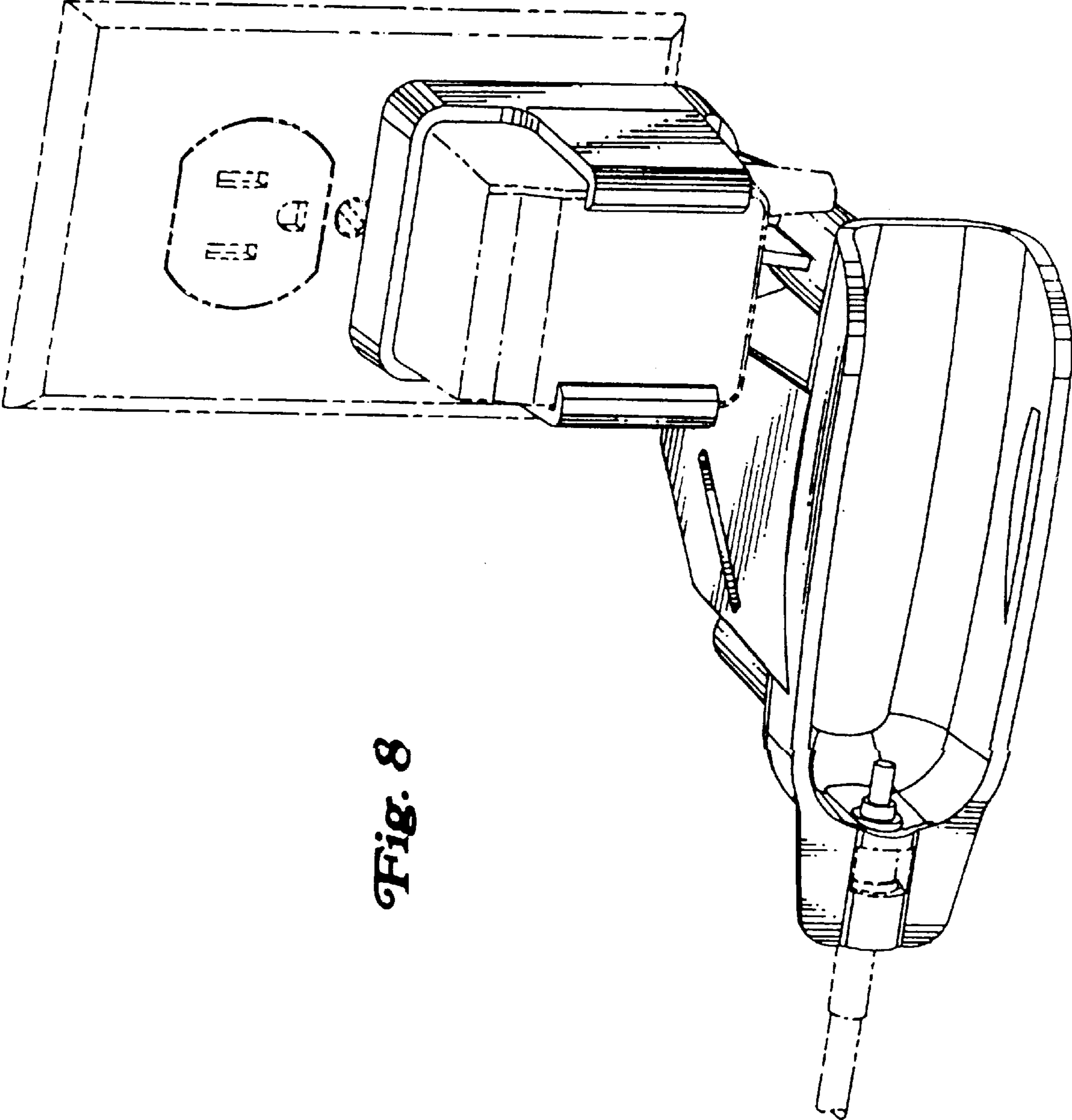


Fig. 8

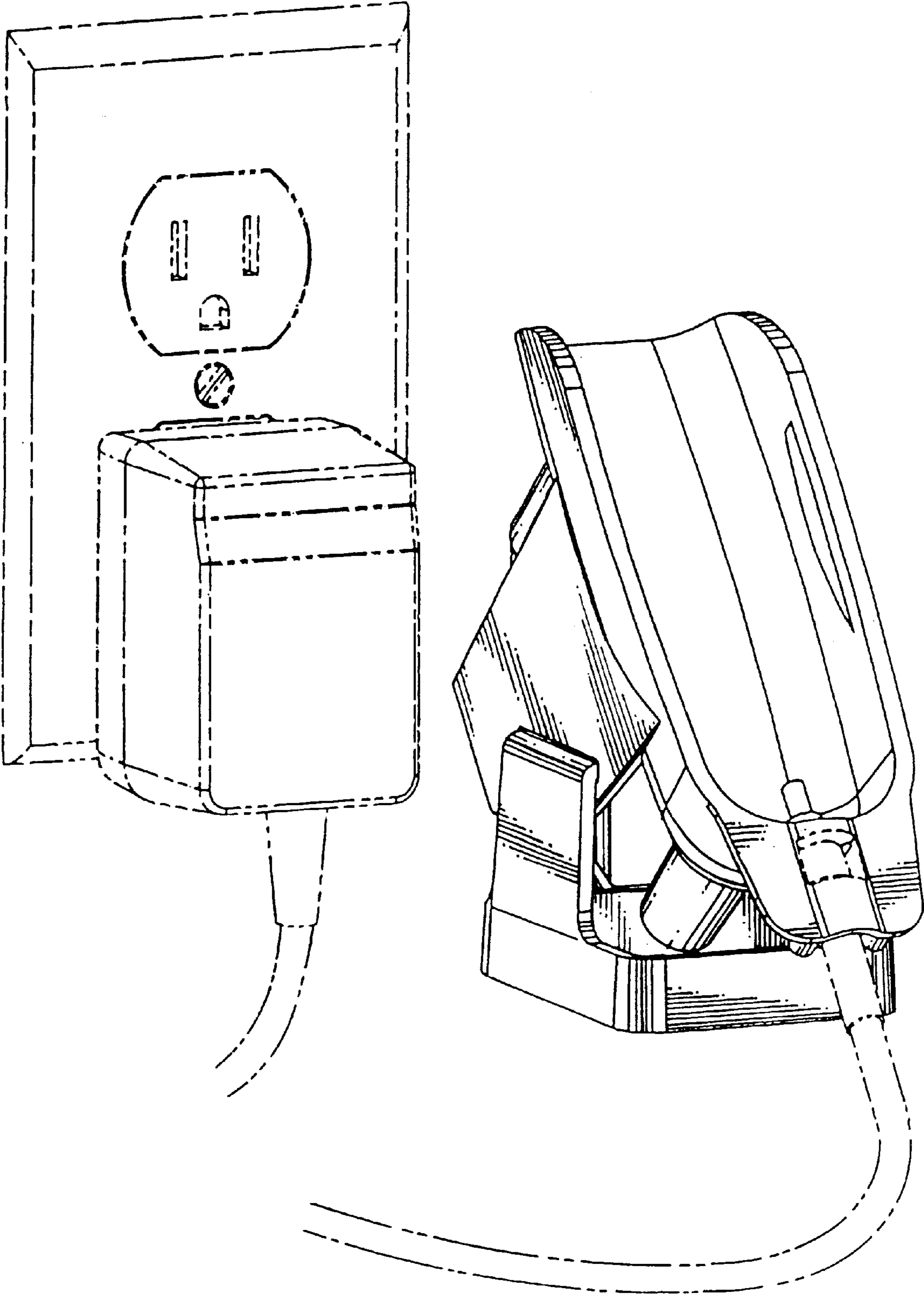


Fig. 9