

US00D508024S

(12) **United States Design Patent**
Wu

(10) **Patent No.:** **US D508,024 S**

(45) **Date of Patent:** **** Aug. 2, 2005**

(54) **ELECTRICAL CONNECTOR**

(75) **Inventor:** **Jerry Wu, Irvine, CA (US)**

(73) **Assignee:** **Hon Hai Precision Ind. Co., Ltd.,
Taipei Hsien (TW)**

(**) **Term:** **14 Years**

(21) **Appl. No.:** **29/207,164**

(22) **Filed:** **Jun. 8, 2004**

(51) **LOC (8) Cl.** **13-03**

(52) **U.S. Cl.** **D13/147**

(58) **Field of Search** D13/123, 133,
D13/146, 147, 184, 199; 439/352, 353,
357, 358, 677, 681, 607-610, 686

(56) **References Cited**

U.S. PATENT DOCUMENTS

5,934,942 A	*	8/1999	Patel et al.	439/610
D420,329 S	*	2/2000	Lin et al.	D13/147
D422,560 S	*	4/2000	Lok	D13/147
D437,291 S	*	2/2001	Ohtani	D13/147
D449,820 S	*	10/2001	Lee	D13/147

D453,320 S	*	2/2002	Sugino	D13/147
D478,319 S	*	8/2003	Yeh	D13/147
6,655,979 B1	*	12/2003	Lee	439/357
D491,529 S	*	6/2004	Yang et al.	D13/147
D491,530 S	*	6/2004	Yang et al.	D13/147
6,821,139 B1	*	11/2004	Wu	439/352

* cited by examiner

Primary Examiner—Stella Reid

Assistant Examiner—Daniel Bui

(74) *Attorney, Agent, or Firm*—Wei Te Chung

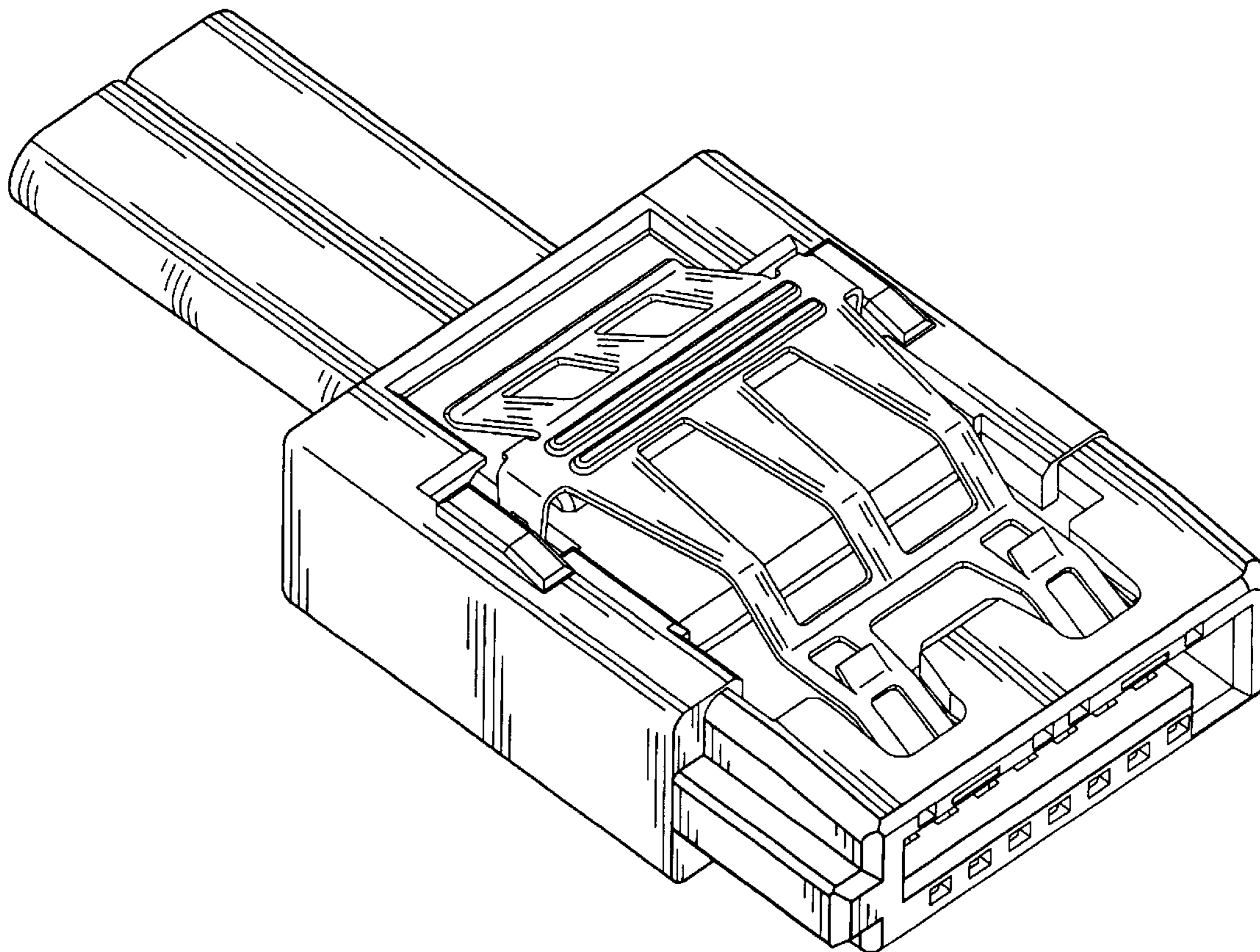
(57) **CLAIM**

The ornamental design for an electrical connector, as shown.

DESCRIPTION

FIG. 1 is a front, top and right side perspective view of an electrical connector showing my new design; FIG. 2 is a front elevation view thereof; FIG. 3 is a rear elevation view thereof; FIG. 4 is a left side elevation view thereof; FIG. 5 is a right side elevation view thereof; FIG. 6 is a top plan view thereof; and, FIG. 7 is a bottom plan view thereof.

1 Claim, 6 Drawing Sheets



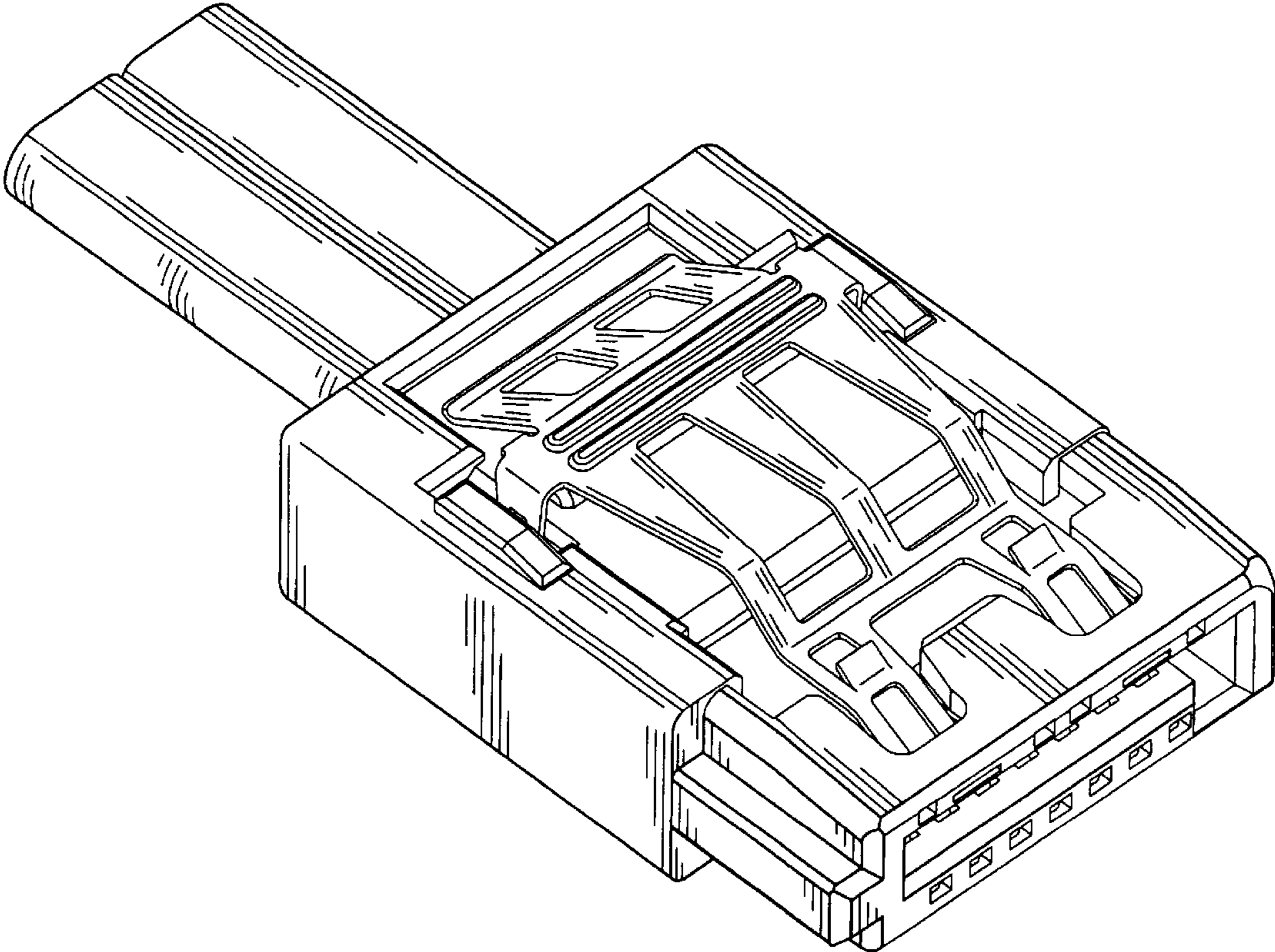


FIG. 1

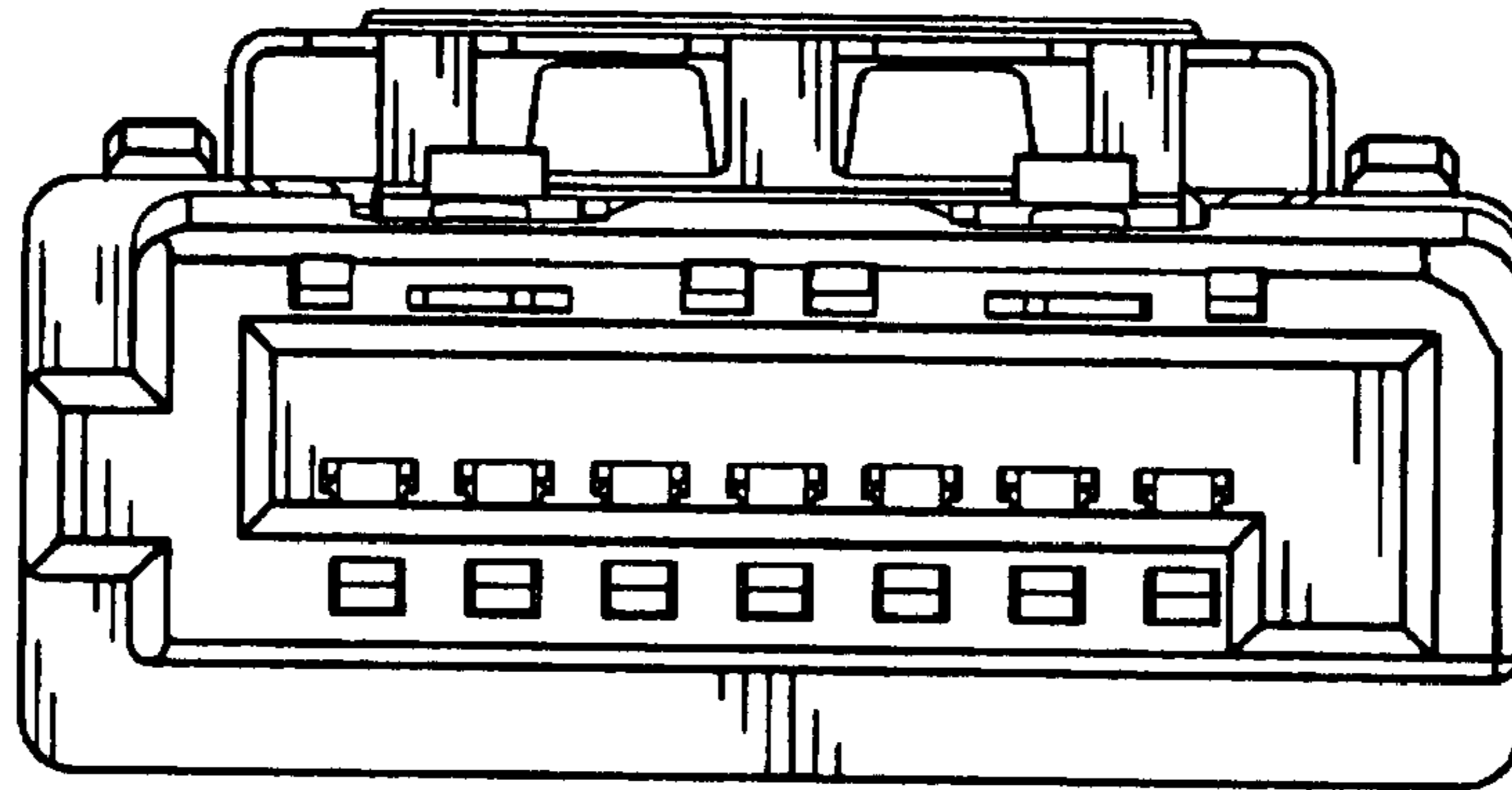


FIG. 2

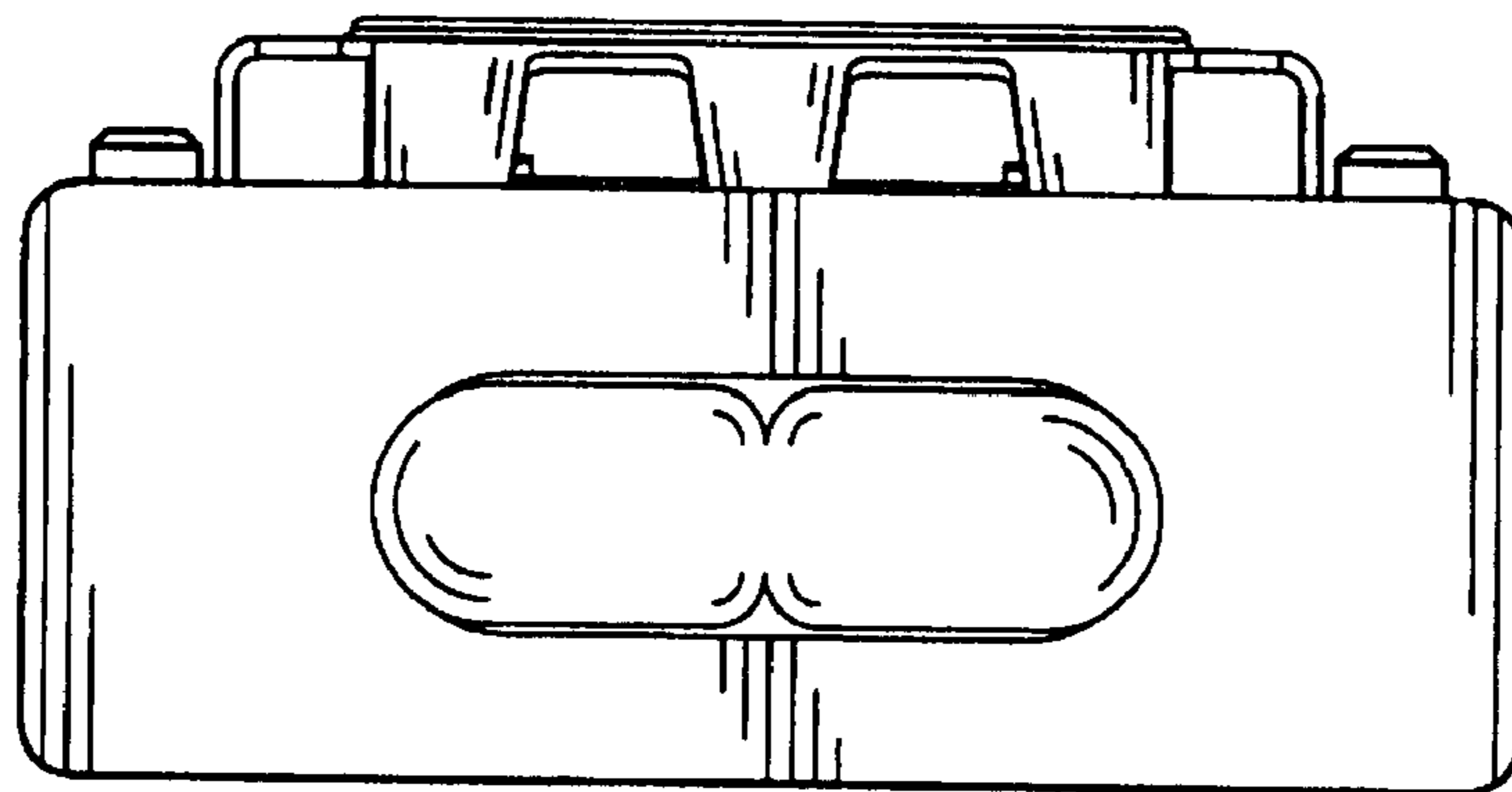


FIG. 3

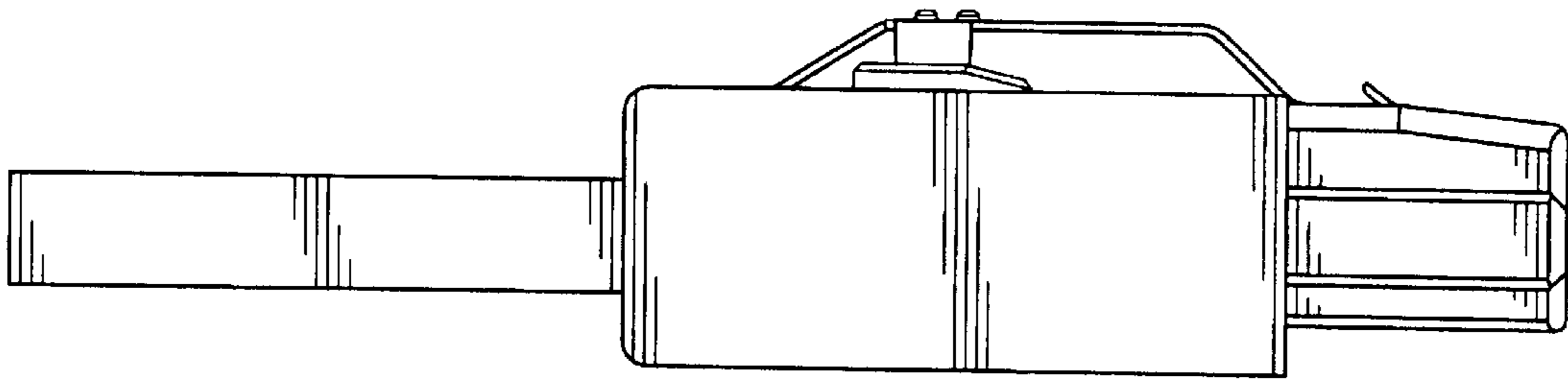


FIG. 4

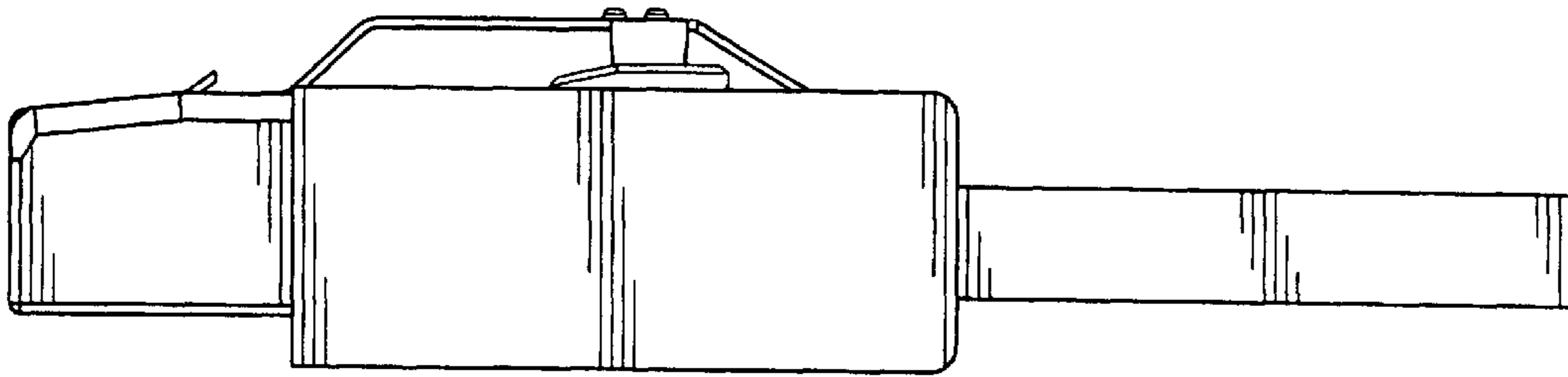


FIG. 5

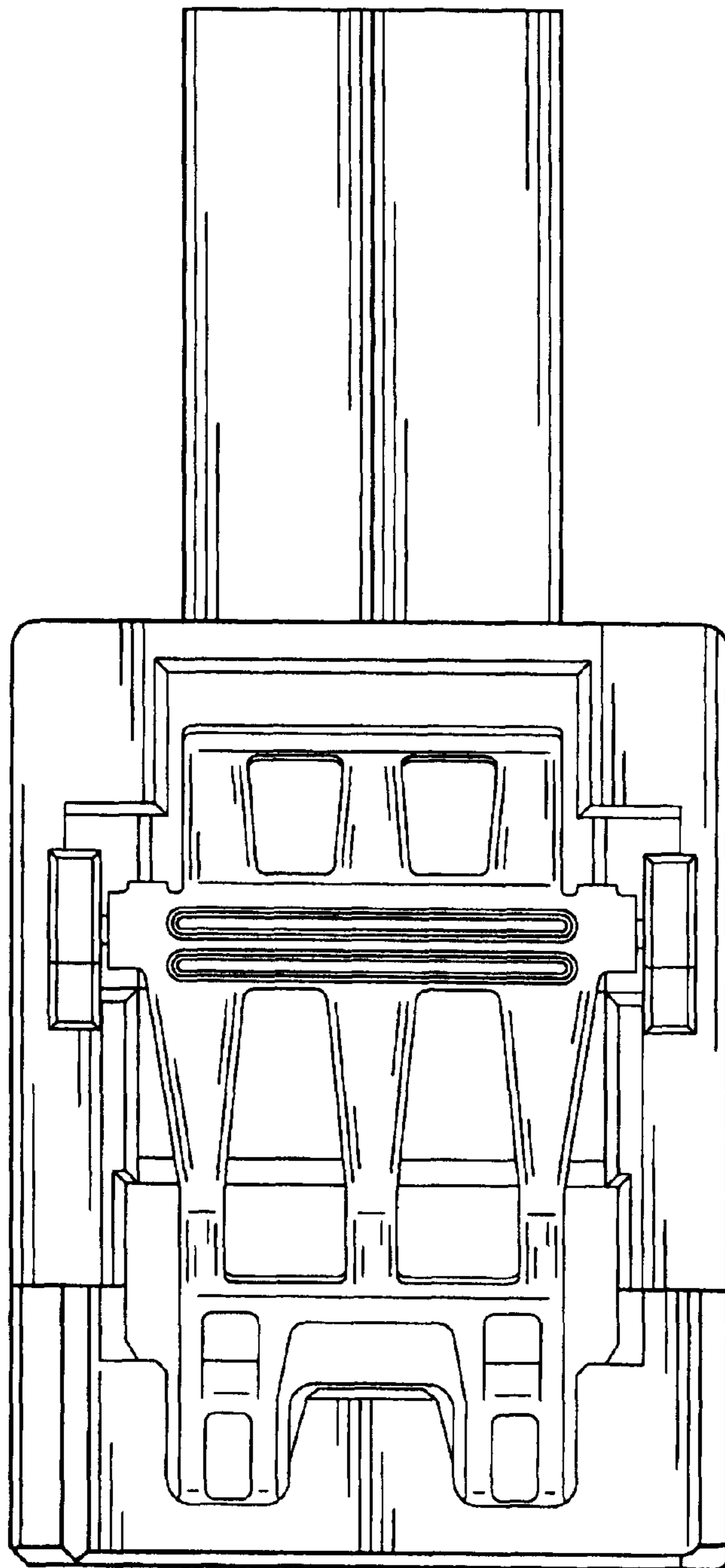


FIG. 6

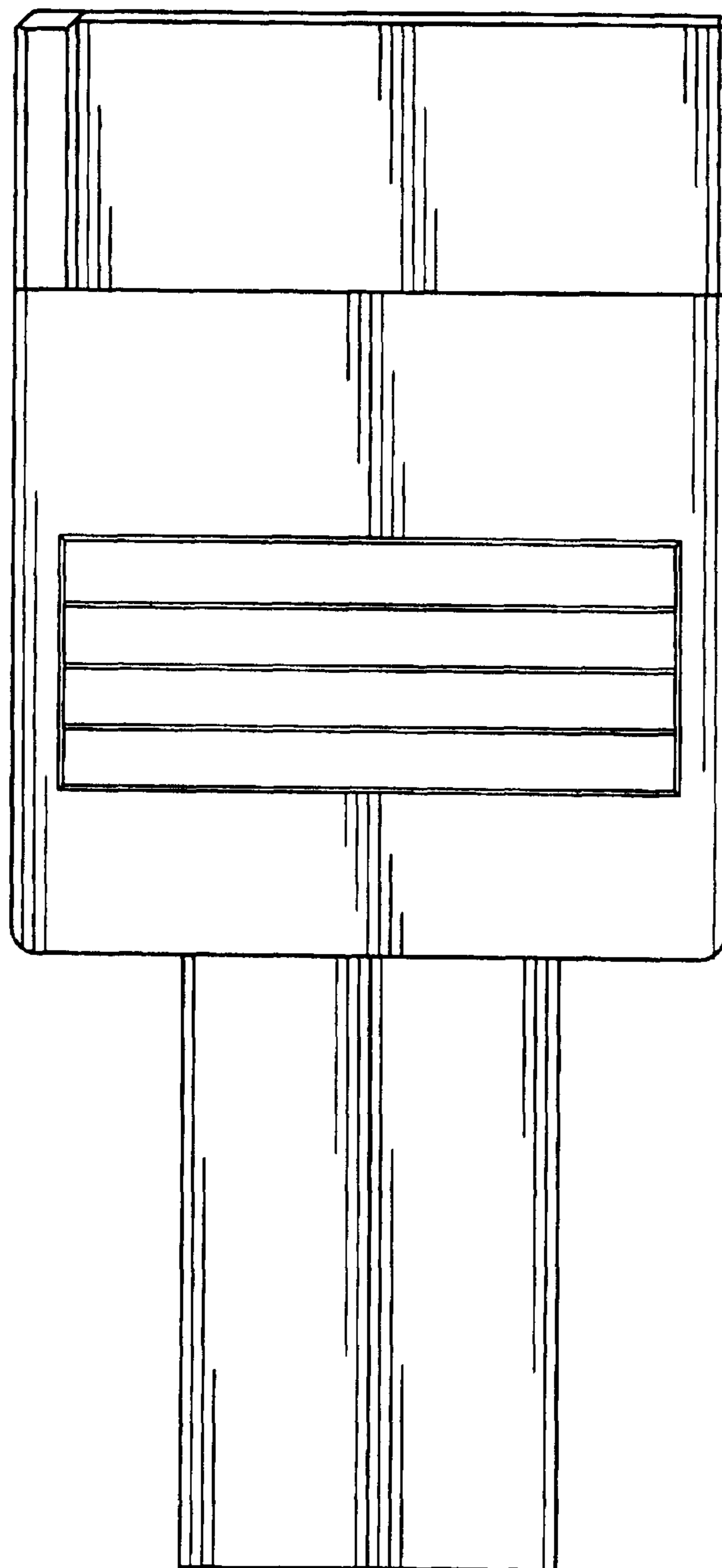


FIG. 7