

US00D508021S

(12) **United States Design Patent**
Wirth

(10) **Patent No.:** **US D508,021 S**

(45) **Date of Patent:** **** Aug. 2, 2005**

(54) **TOOL-LESS TERMINAL CONNECTOR FOR SIDE MOUNT-TYPE BATTERY**

D397,091 S 8/1998 Wirth
D411,552 S * 6/1999 Miles D15/140
D454,479 S * 3/2002 Kolpin D8/349

(75) **Inventor:** **Steven E. Wirth**, Bloomington, MN (US)

* cited by examiner

(73) **Assignee:** **Wirthco Engineering, Inc.**, Minneapolis, MN (US)

Primary Examiner—Alan P. Douglas

Assistant Examiner—Susan M Lee

(74) *Attorney, Agent, or Firm*—Roger W. Jensen

(**) **Term:** **14 Years**

(57) **CLAIM**

(21) **Appl. No.:** **29/193,391**

The ornamental design for a tool-less terminal connector for side mount-type battery, as shown.

(22) **Filed:** **Nov. 7, 2003**

DESCRIPTION

(51) **LOC (8) Cl.** **13-03**

(52) **U.S. Cl.** **D13/120**; 439/755

(58) **Field of Search** D8/307–312, 70, D8/80, 349–55; D23/250–254; D15/140; 403/239, 256; 439/504, 754, 766, 755; 429/121

FIG. 1 is a bottom left isometric view of a tool-less battery sidemount terminal connector, showing my new design;

FIG. 2 is a left end view thereof;

FIG. 3 is a left side elevational view thereof, the right side elevational view being identical, but reversed end for end;

FIG. 4 is a right end view thereof;

FIG. 5 is a plan view thereof as viewed along section lines 5–5 of FIG. 3;

FIG. 6 is a bottom left isometric view of a second embodiment of my new design;

FIG. 7 is a plan view thereof as viewed along section lines 7–7 of FIG. 8;

FIG. 8 is a left side elevational view thereof, the right side elevational view being identical, but reversed end for end;

FIG. 9 is a right end view thereof; and,

FIG. 10 is a left end view thereof.

(56) **References Cited**

U.S. PATENT DOCUMENTS

1,989,083	A	*	1/1935	Dahnken et al.	403/288
D127,735	S	*	6/1941	Dreyfuss	D23/250
3,096,678	A	*	7/1963	Devine et al.	411/64
3,167,292	A	*	1/1965	Meyerowitz	248/230.1
D206,522	S	*	12/1966	Stephenson et al.	D8/307
D269,409	S	*	6/1983	Ferdinand et al.	D8/307
4,673,240	A		6/1987	Byfield, Jr.		
D292,608	S	*	11/1987	Gomez	D23/254
4,797,111	A	*	1/1989	Ackmann	439/755
D365,009	S	*	12/1995	Lenberg	D8/307

1 Claim, 2 Drawing Sheets

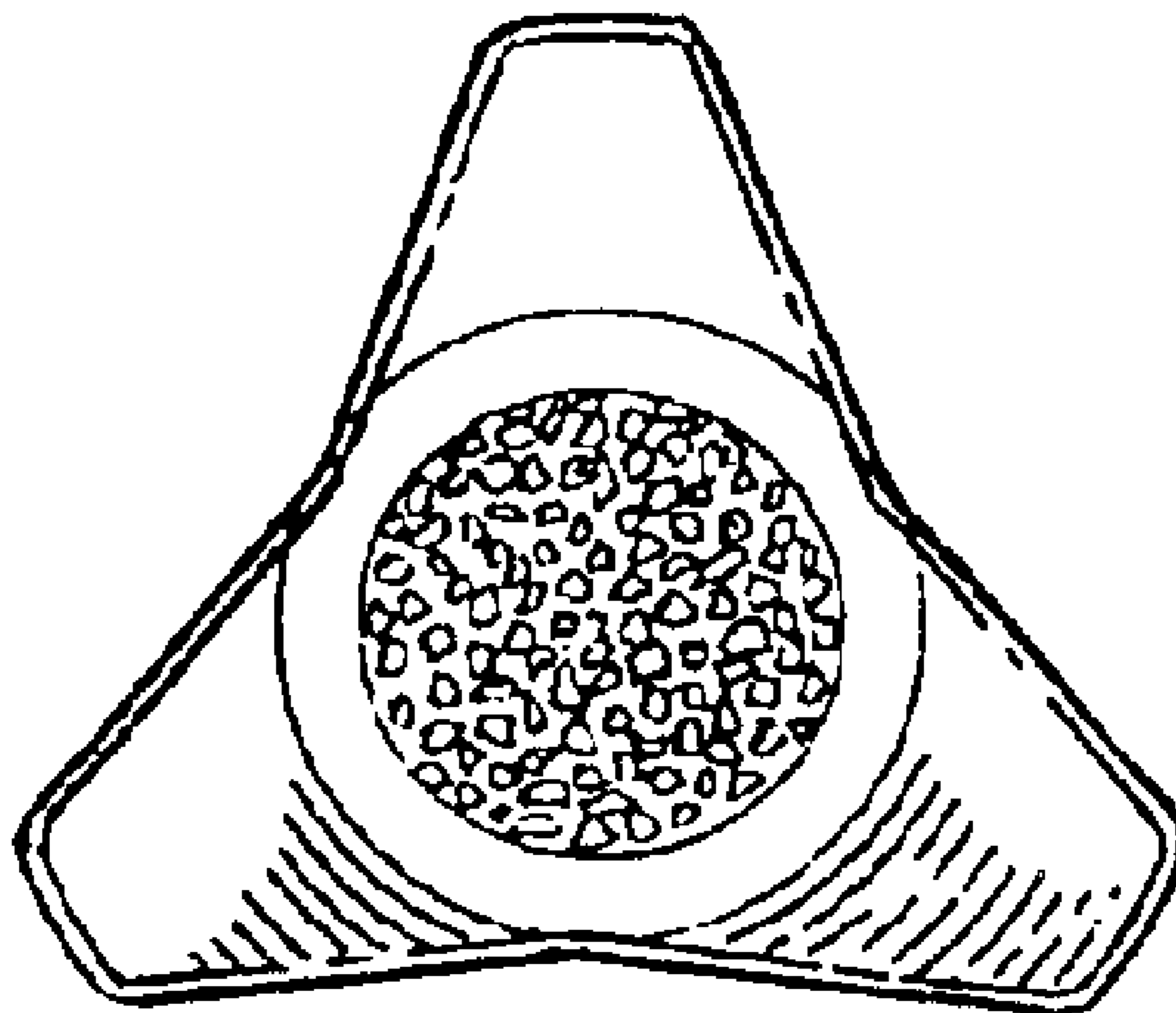


FIG. 1

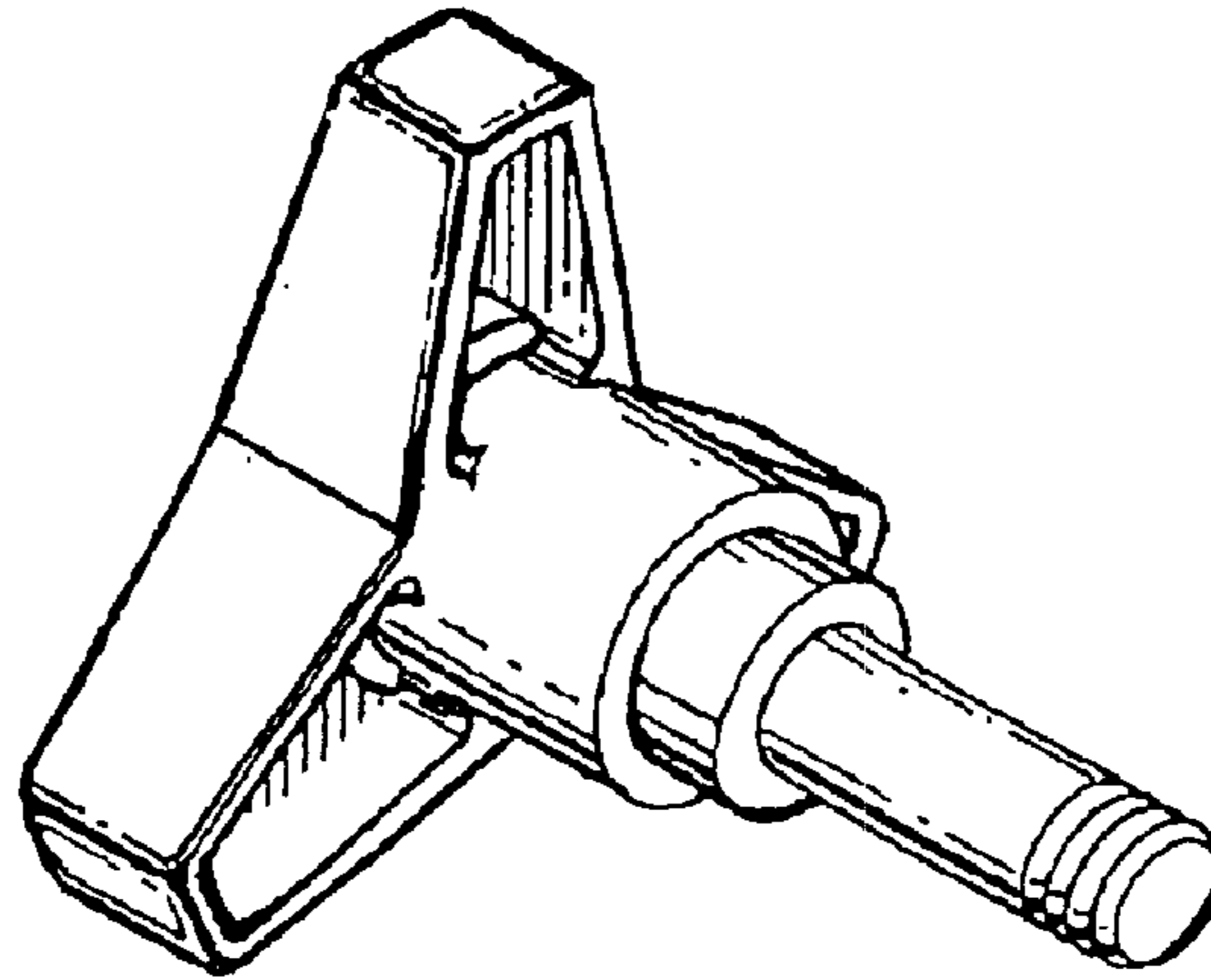


FIG. 5

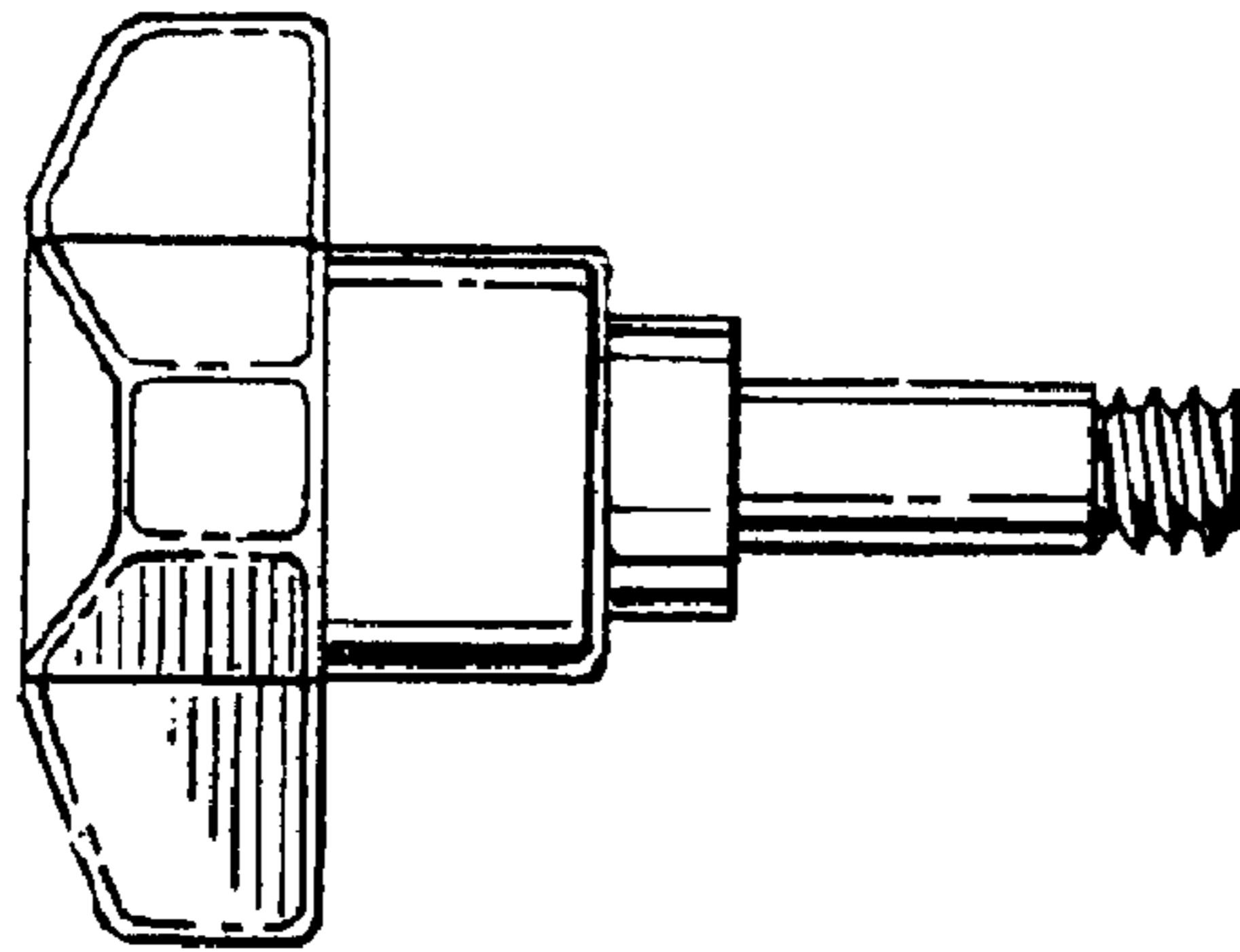


FIG. 4

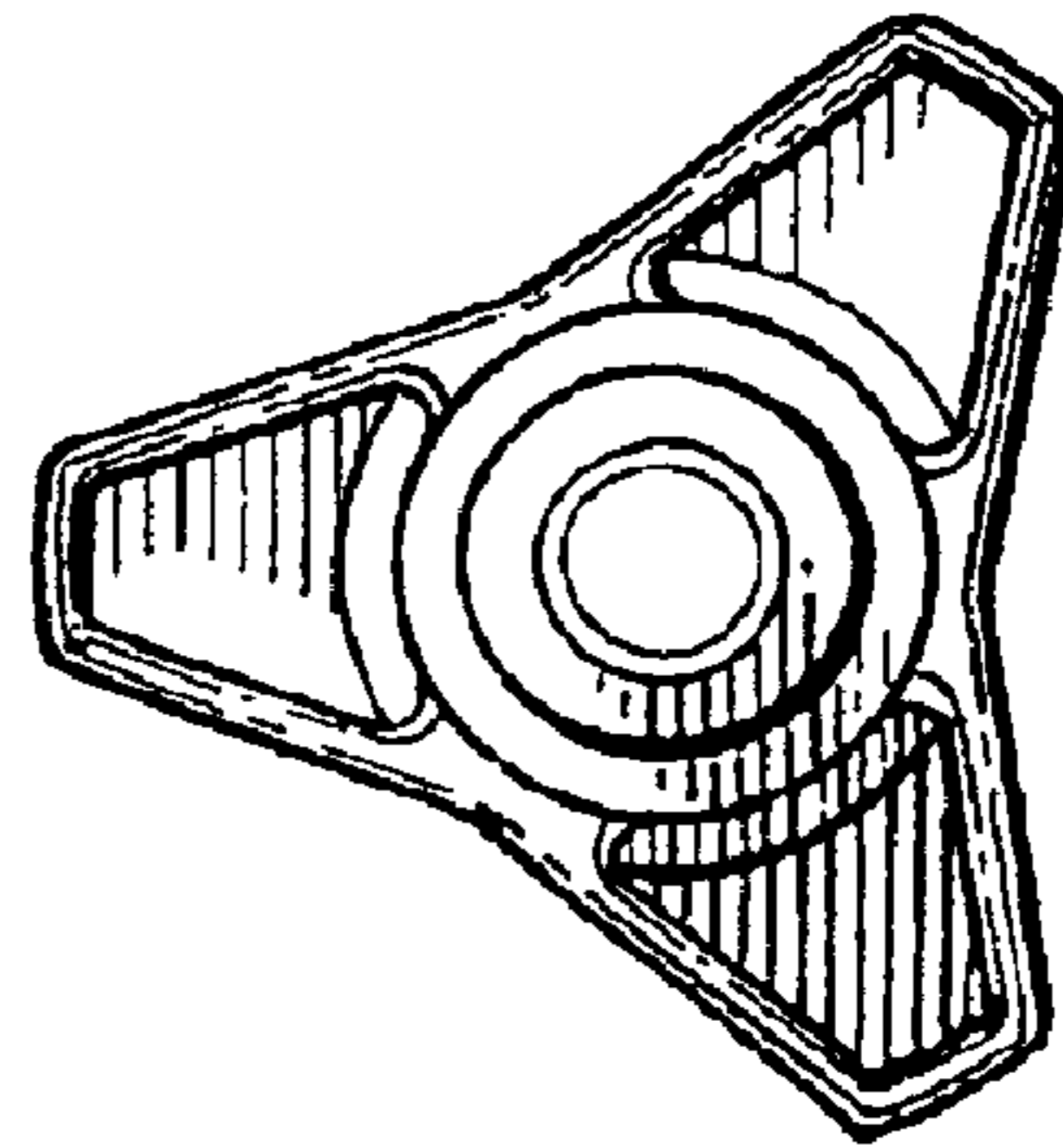
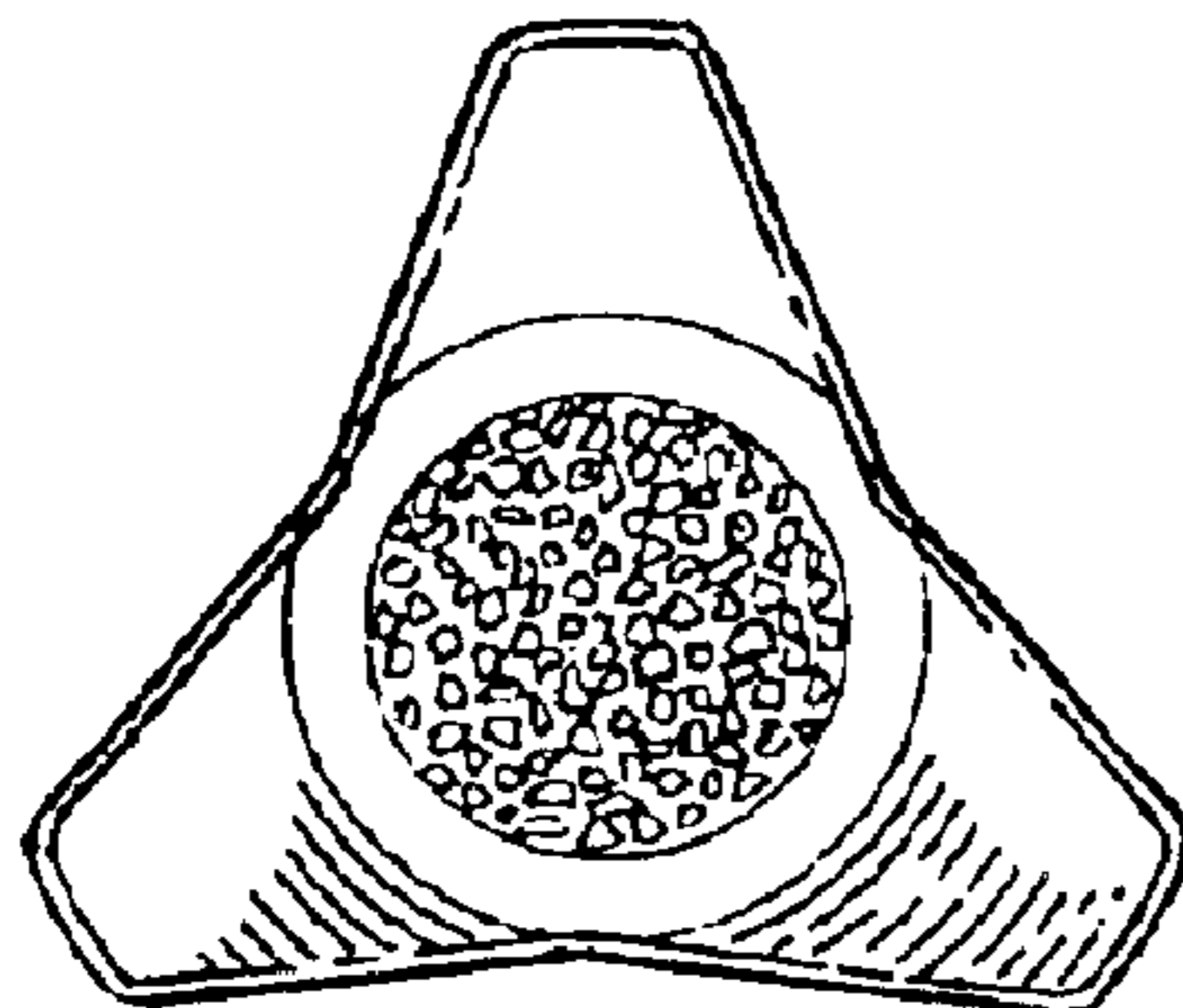


FIG. 2



↓
5

FIG. 3

↓
5

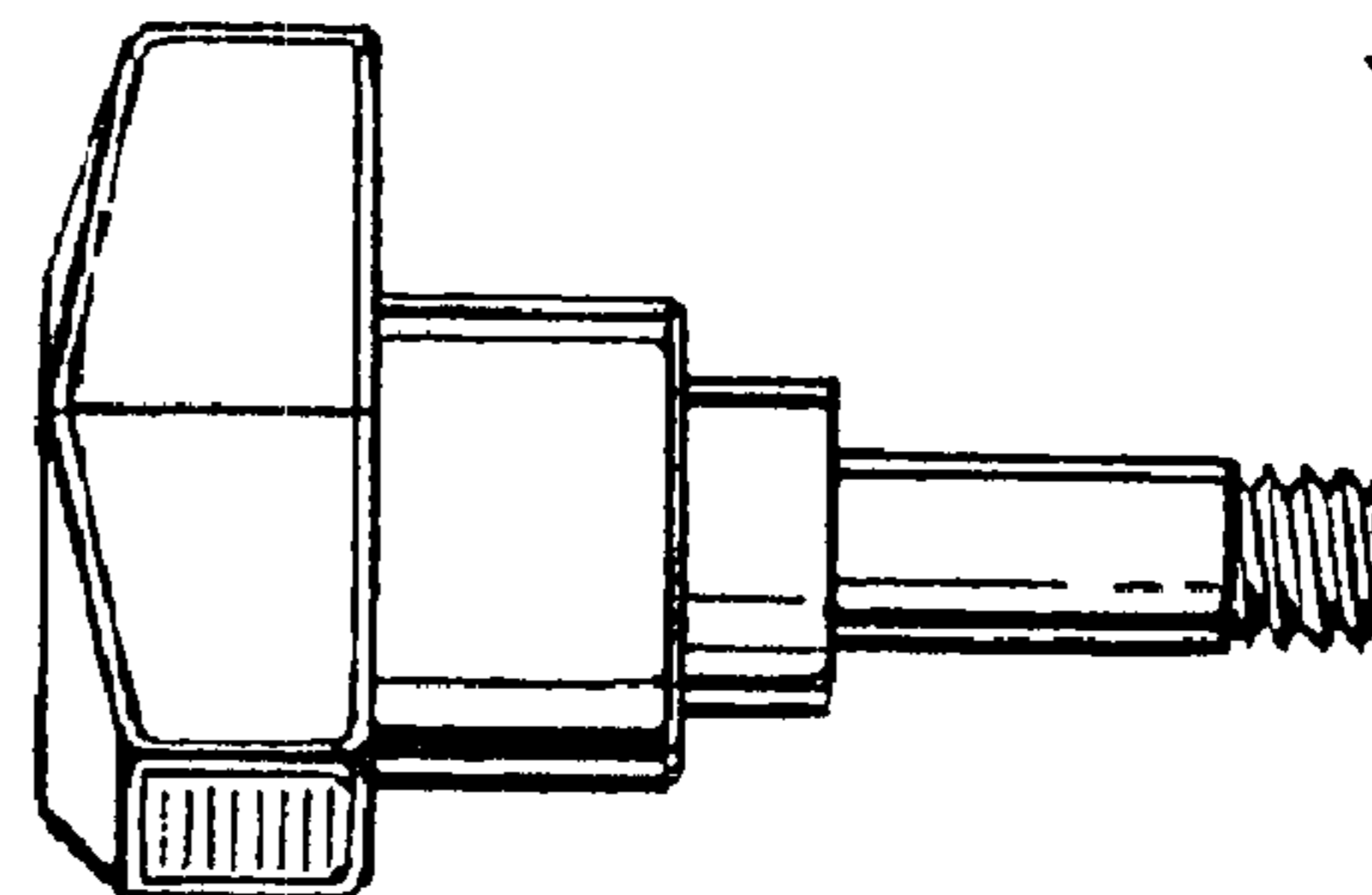


FIG. 6

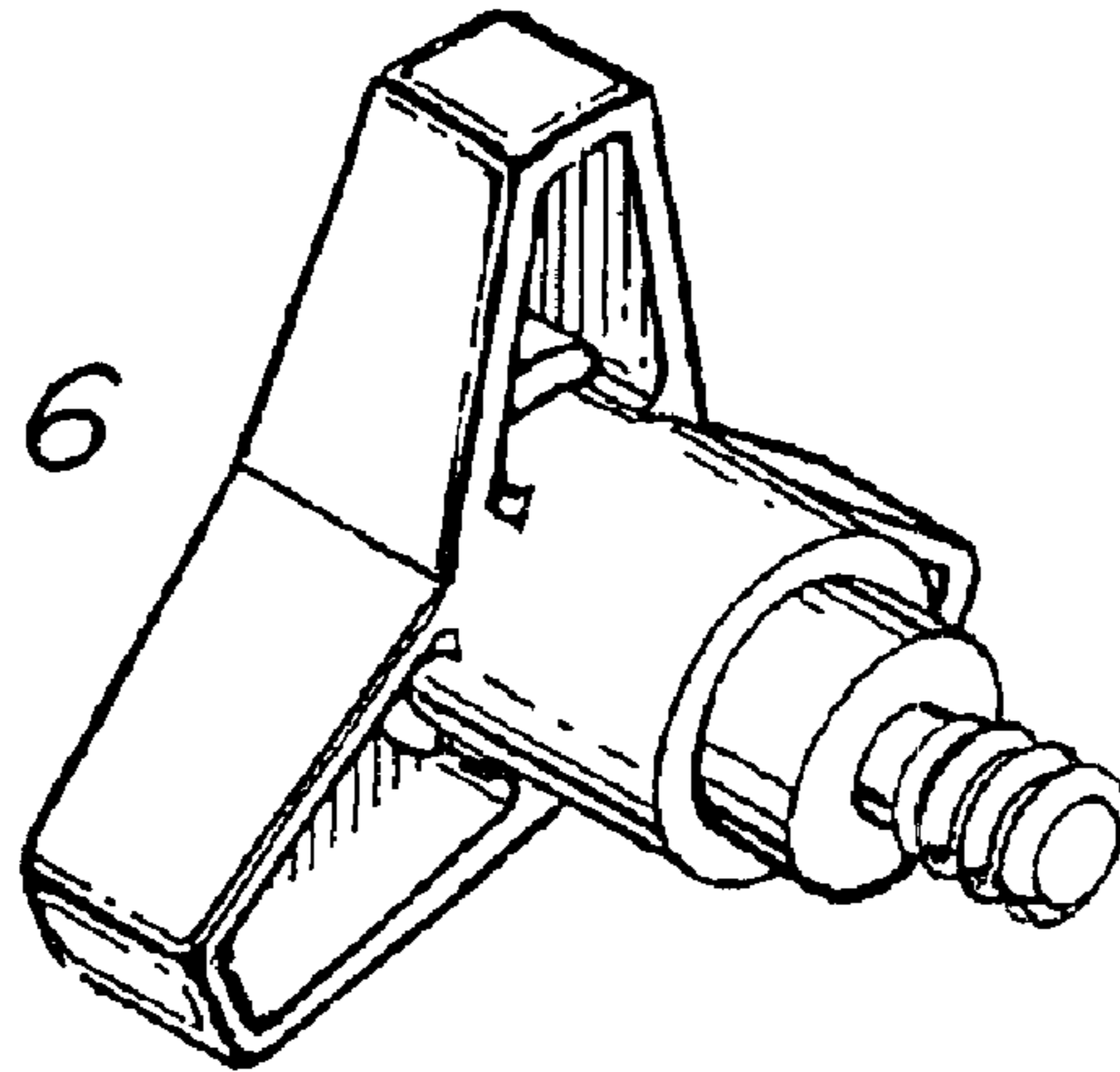


FIG. 7

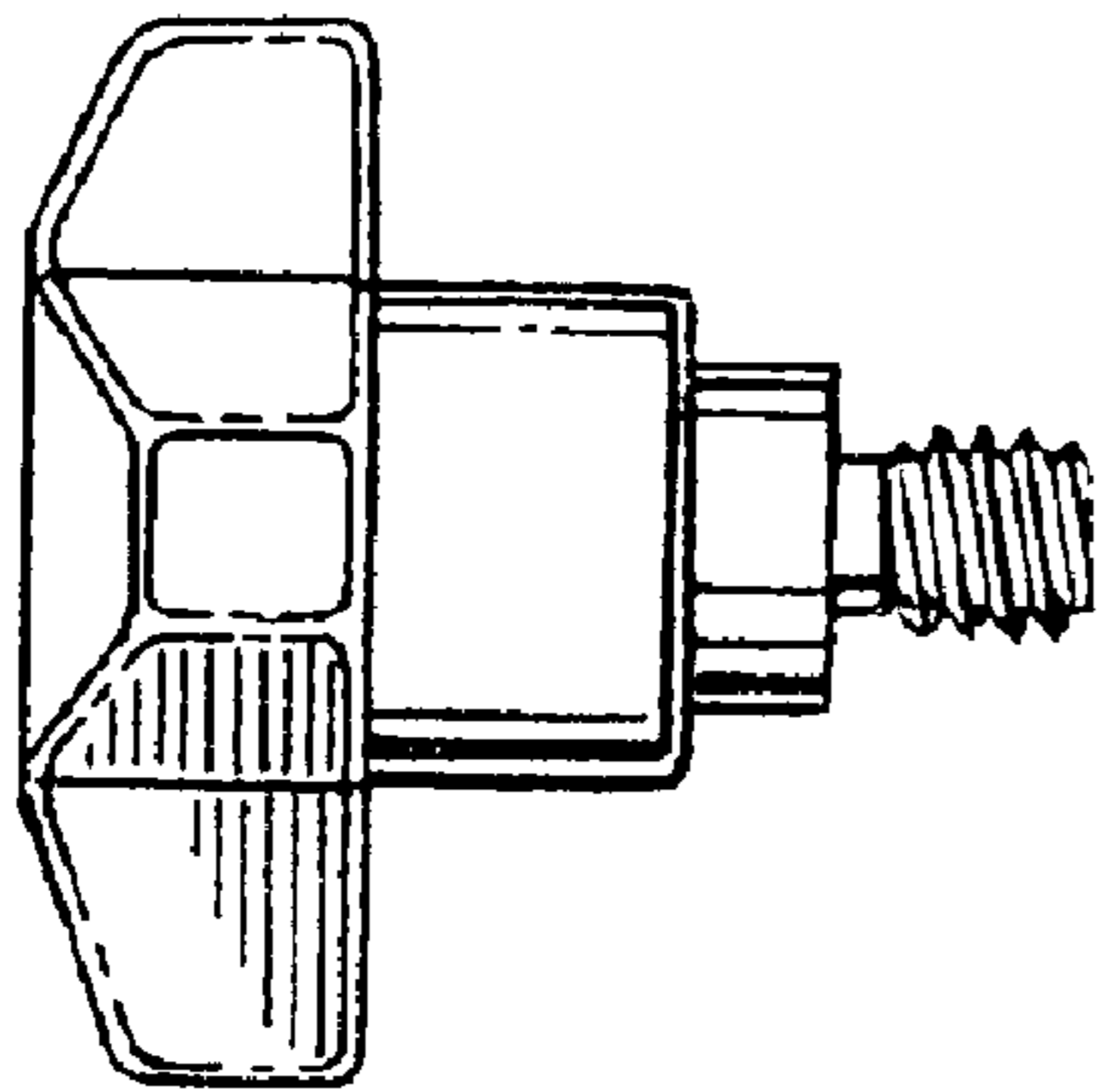


FIG. 9

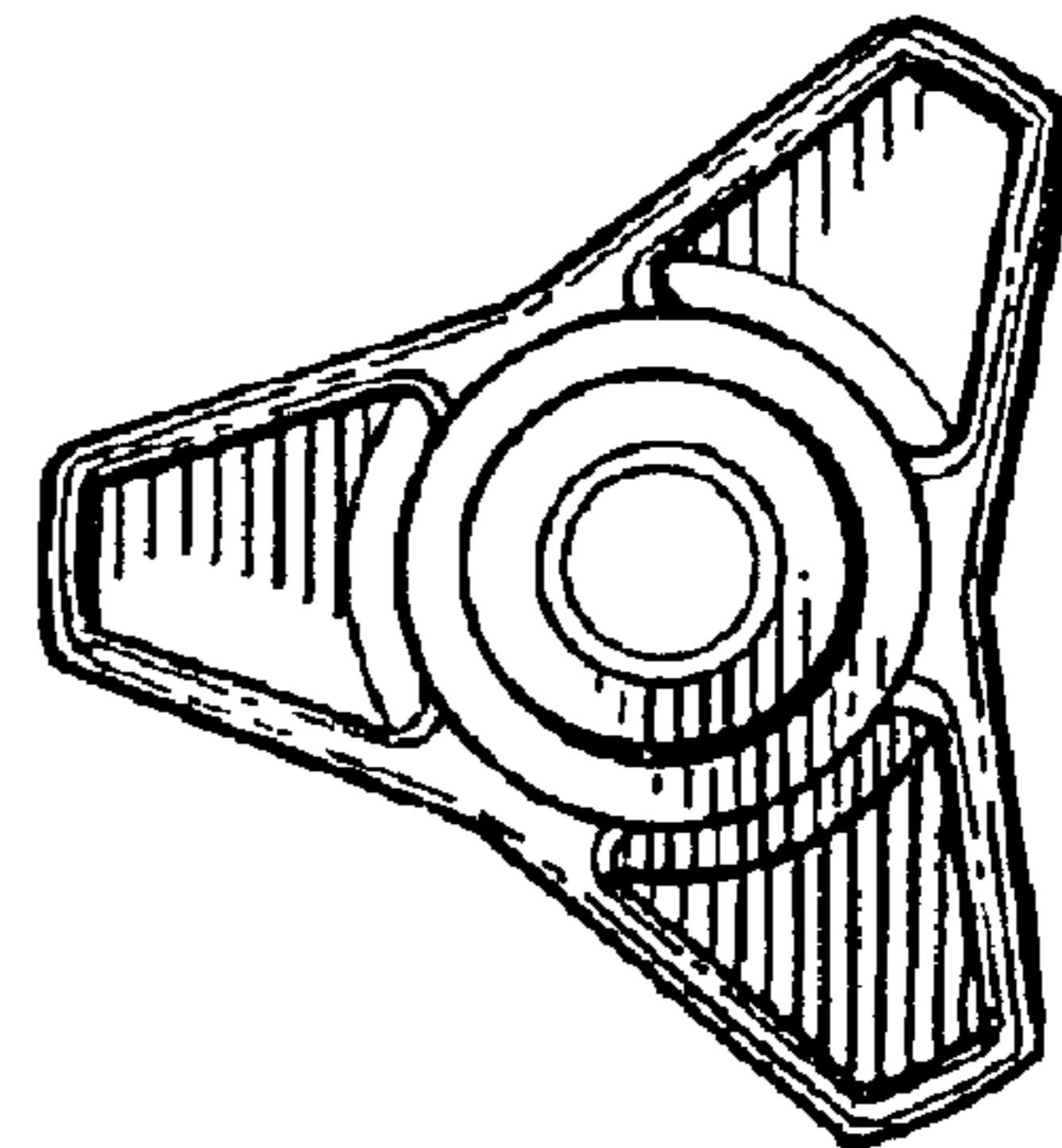


FIG. 10

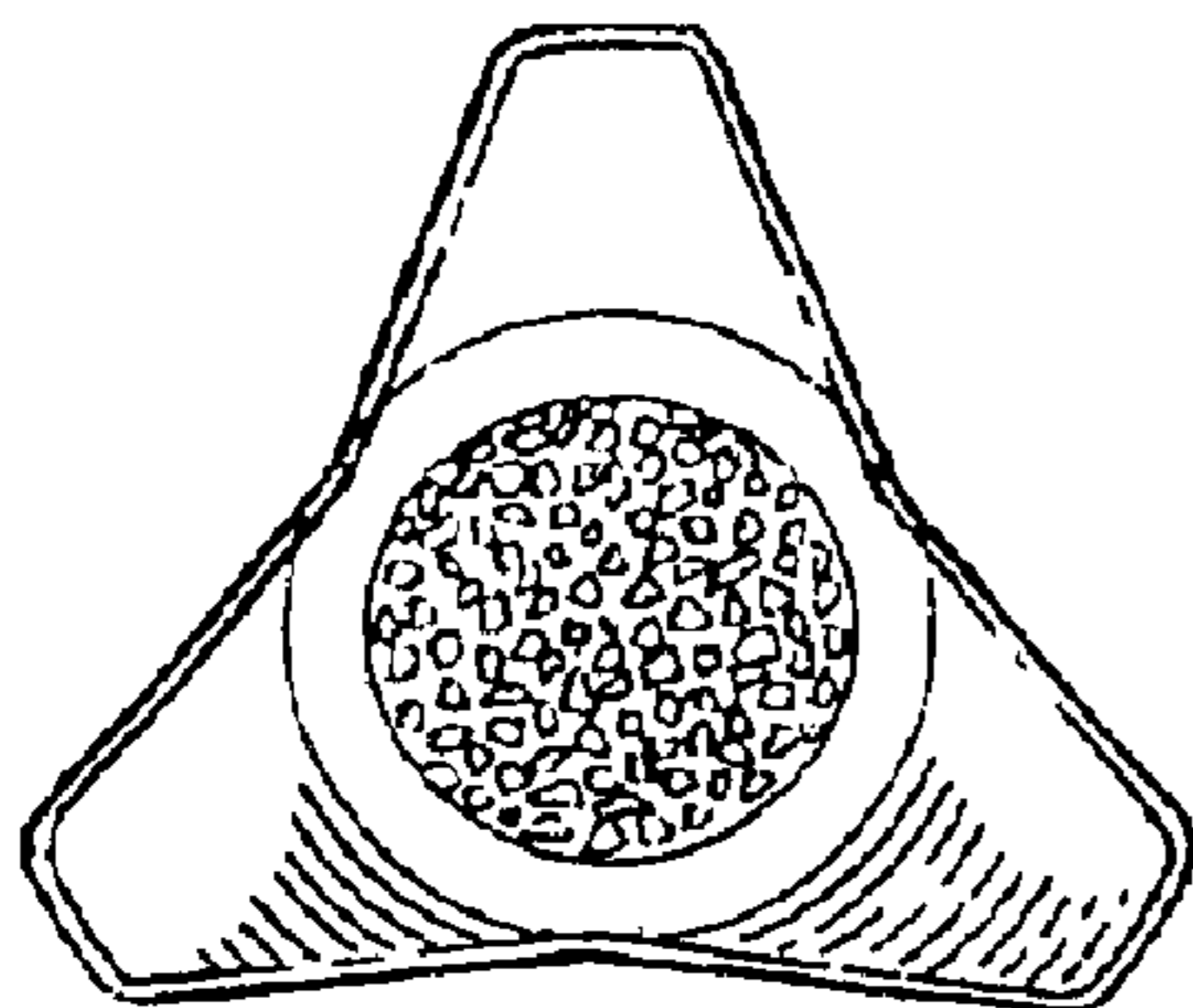


FIG. 8

