

US00D508020S

(12) **United States Design Patent** (10) **Patent No.:** **US D508,020 S**
Rostami (45) **Date of Patent:** **** Aug. 2, 2005**

(54) **COVER**

(76) **Inventor:** **Ramin Rostami**, 9673 Topanga Canyon Pl., Chatsworth, CA (US) 91311

(**) **Term:** **14 Years**

(21) **Appl. No.:** **29/182,251**

(22) **Filed:** **May 23, 2003**

(51) **LOC (8) Cl.** **13-02**

(52) **U.S. Cl.** **D13/118; D13/154**

(58) **Field of Search** **D13/118, 101, D13/107, 110, 112, 134, 144, 154, 199; 439/668-669, 488-489**

(56) **References Cited**

U.S. PATENT DOCUMENTS

D434,009 S	*	11/2000	Lee	D13/154
D436,080 S	*	1/2001	Hussaini et al.	D13/144
D479,196 S	*	9/2003	Shih	D13/144
D479,824 S	*	9/2003	Arkin et al.	D13/144
D481,358 S	*	10/2003	Hsiao	D13/144
D489,326 S	*	5/2004	Nazar	D13/110
D490,058 S	*	5/2004	Mkhitarian	D13/144
D492,249 S	*	6/2004	Suomalainen et al.	D13/108
D493,435 S	*	7/2004	Esslinger et al.	D14/137
D495,656 S	*	9/2004	Faunce et al.	D13/107
D496,904 S	*	10/2004	Nazar	D13/110

FOREIGN PATENT DOCUMENTS

WO DM/055818 * 4/2001

* cited by examiner

Primary Examiner—Stella Reid

Assistant Examiner—Daniel Bui

(74) *Attorney, Agent, or Firm*—Marshall A. Lerner; Bradford E. Mattes; Kleinberg & Lerner, LLP

(57) **CLAIM**

The ornamental design for a cover, as shown and described.

DESCRIPTION

FIG. 1 is a side elevation view showing my new design for a cover installed on a plug-in device;
 FIG. 2 is a back elevation view thereof;
 FIG. 3 is a front elevation view thereof;
 FIG. 4 is a bottom plan view thereof;
 FIG. 5 is a top plan view thereof;
 FIG. 6 is a side elevation view thereof removed from a plug-in device;
 FIG. 7 is a front elevation view of the outside thereof removed from a plug-in device;
 FIG. 8 is a front elevation view of the inside thereof removed from a plug-in device;
 FIG. 9 is a bottom plan thereof removed from a plug-in device;
 FIG. 10 is a top plan thereof removed from a plug-in device;
 FIG. 11 is a left perspective view thereof from above and installed on a plug-in device;
 FIG. 12 is a right perspective view thereof from above and installed on a plug-in device;
 FIG. 13 is a left perspective view thereof from below and installed on a plug-in device;
 FIG. 14 is a right perspective view thereof from below and installed on a plug-in device;
 FIG. 15 is a left perspective view thereof from above and removed from a plug-in device;
 FIG. 16 is a right perspective view thereof from above and removed from a plug-in device;
 FIG. 17 is a left perspective view thereof from below and removed from a plug-in device; and,
 FIG. 18 is a right perspective view thereof from below and removed from a plug-in device.
 Broken lines in the figures are for illustrative purposes only and form no part of the claimed design.

1 Claim, 4 Drawing Sheets

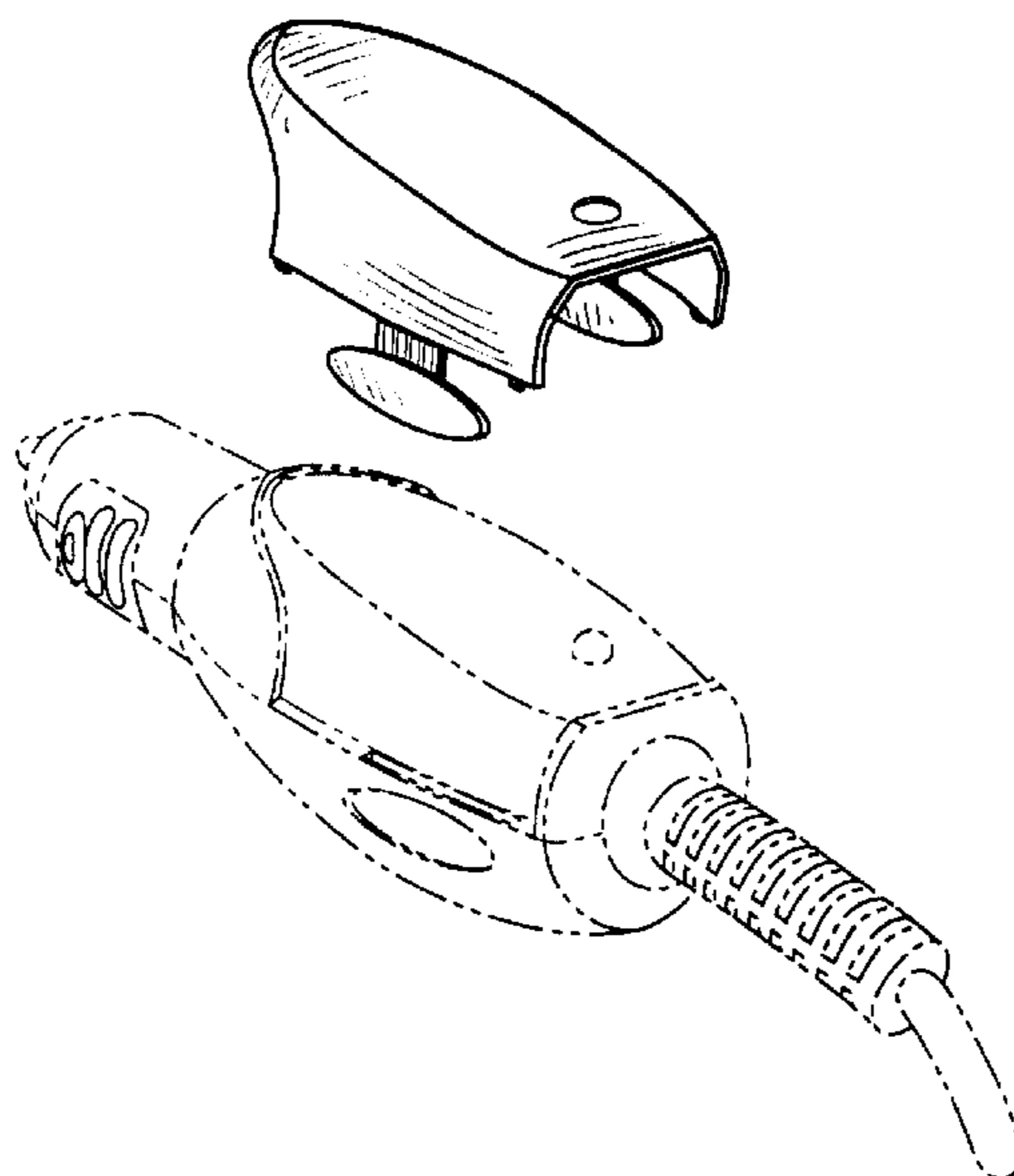


Fig. 1

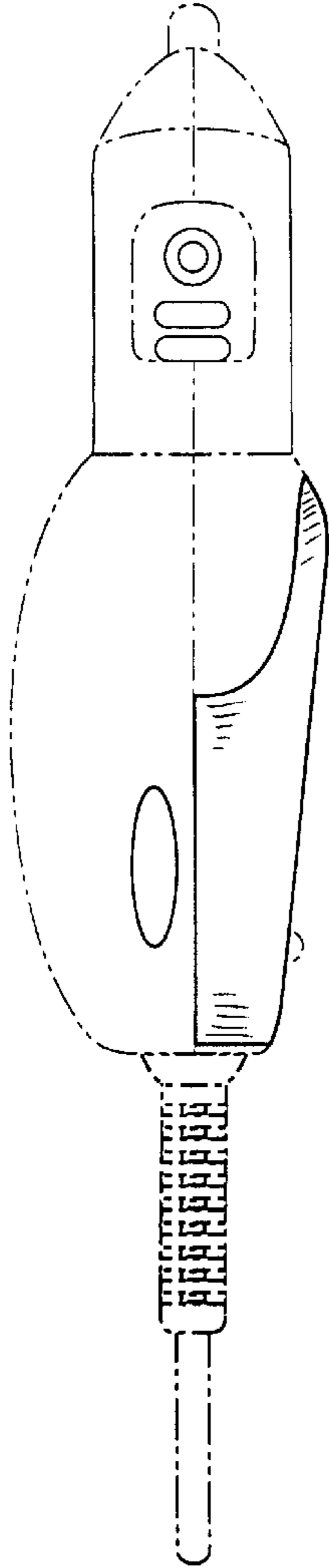


Fig. 2

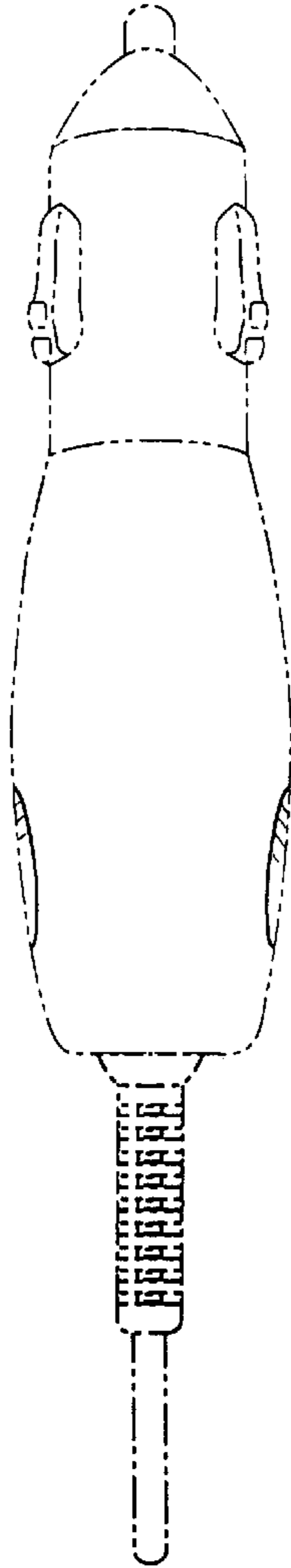


Fig. 3

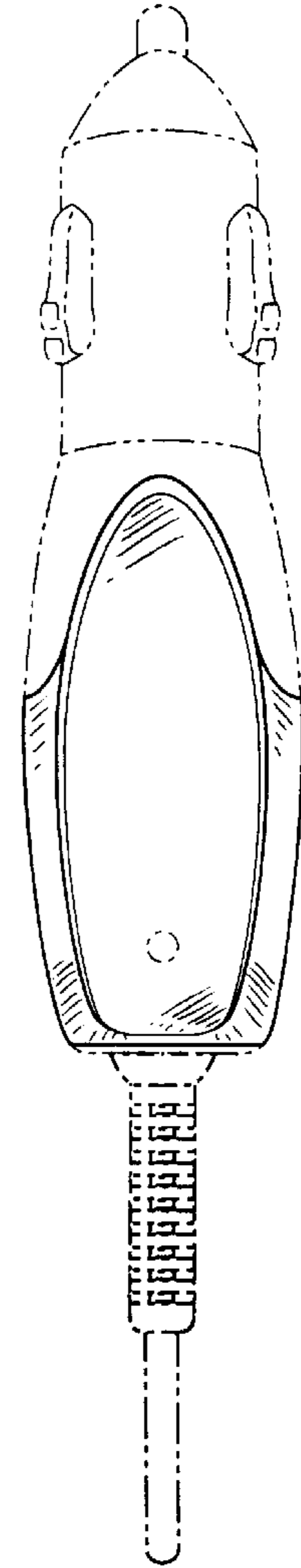


Fig. 4

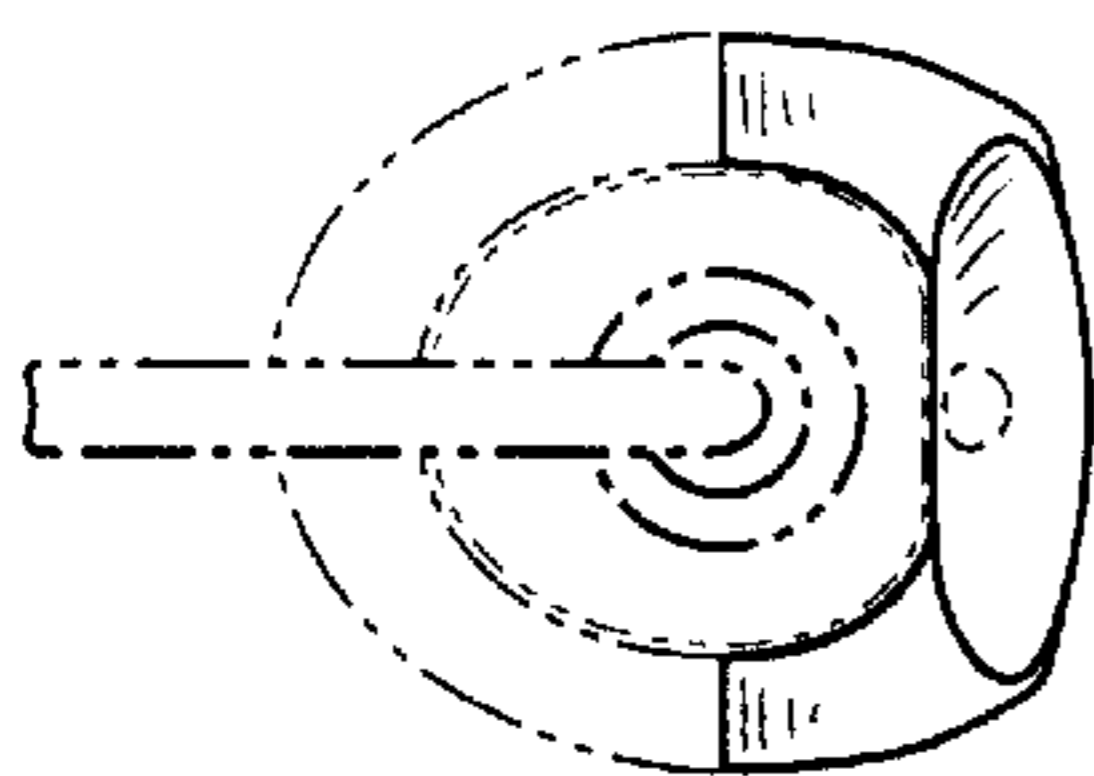
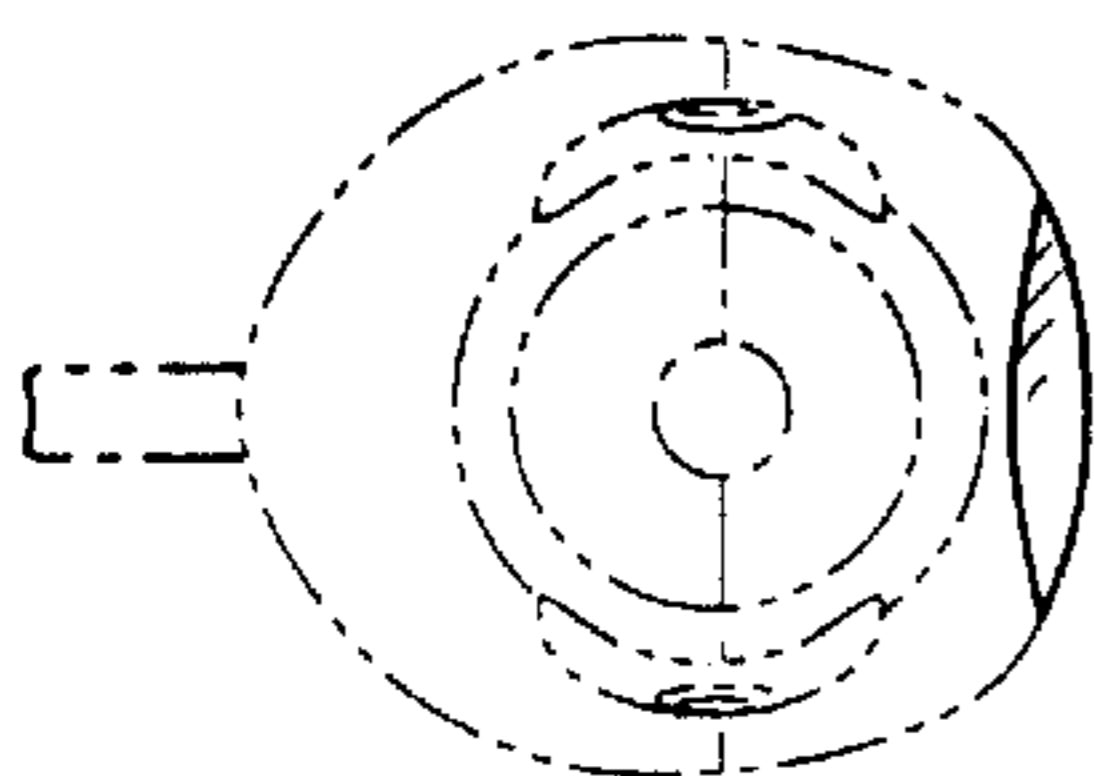


Fig. 5



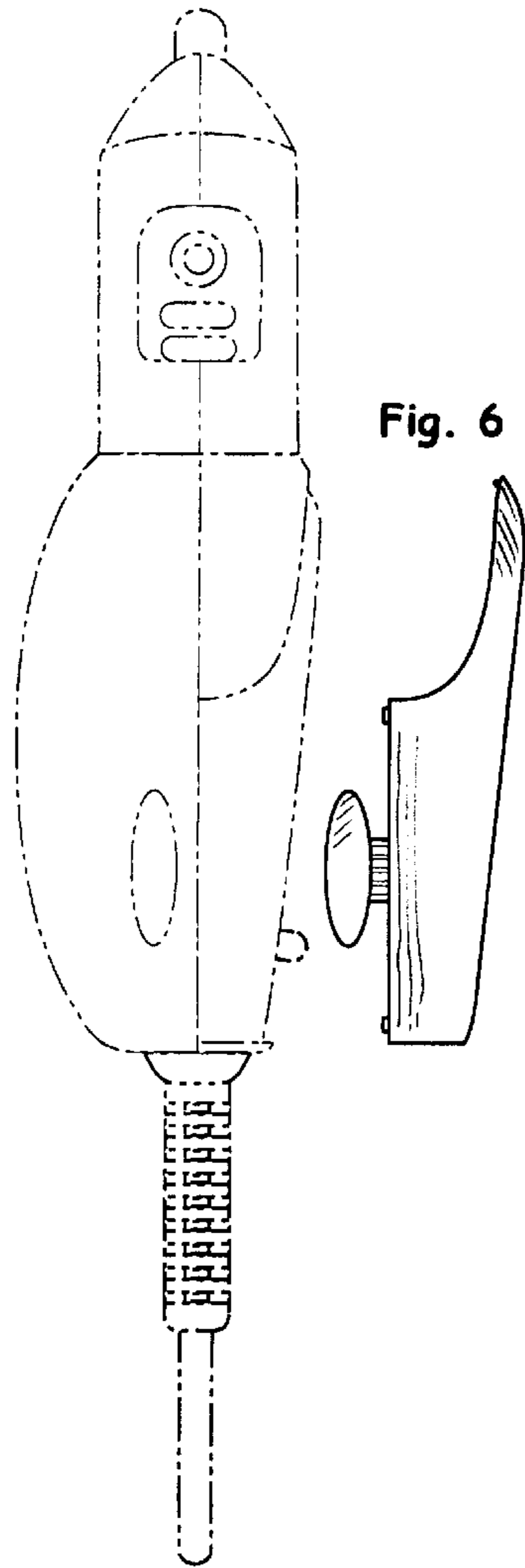


Fig. 6

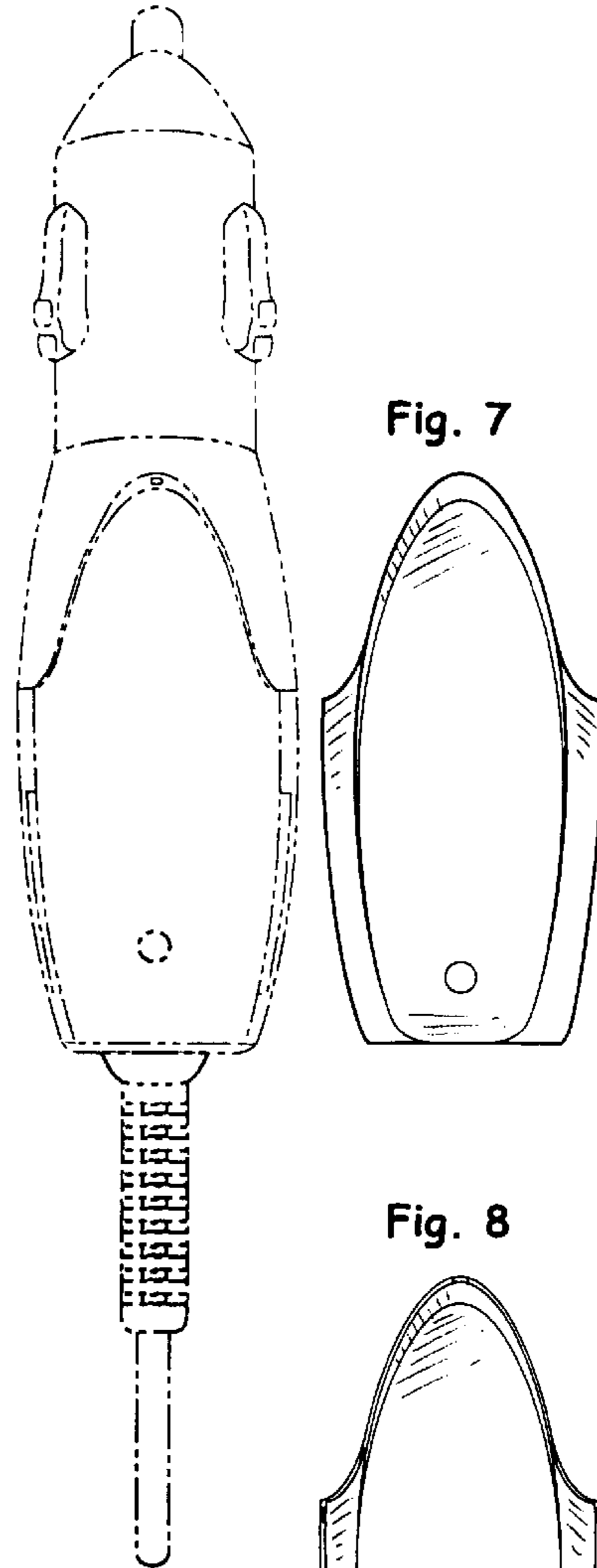


Fig. 7

Fig. 8

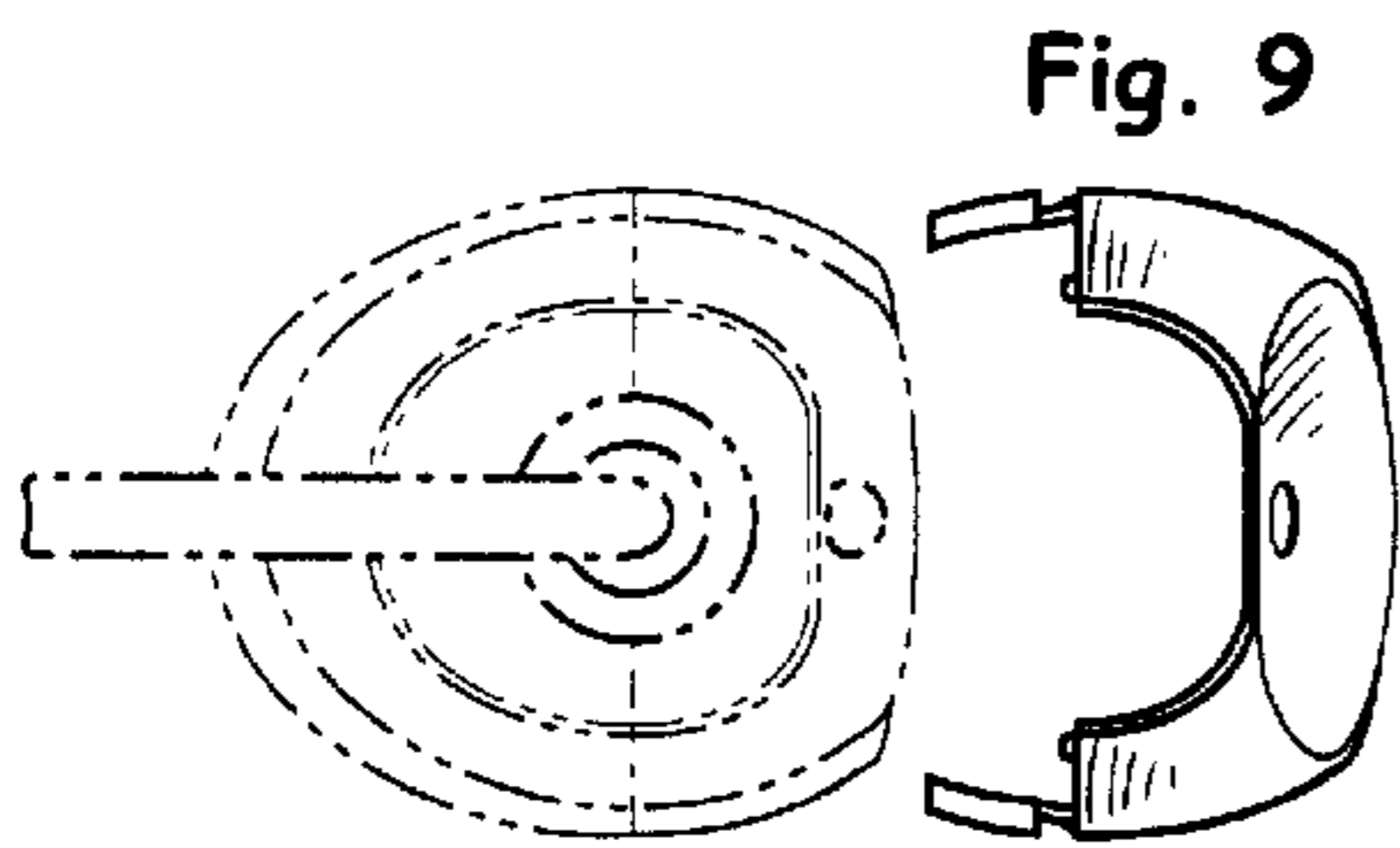


Fig. 9

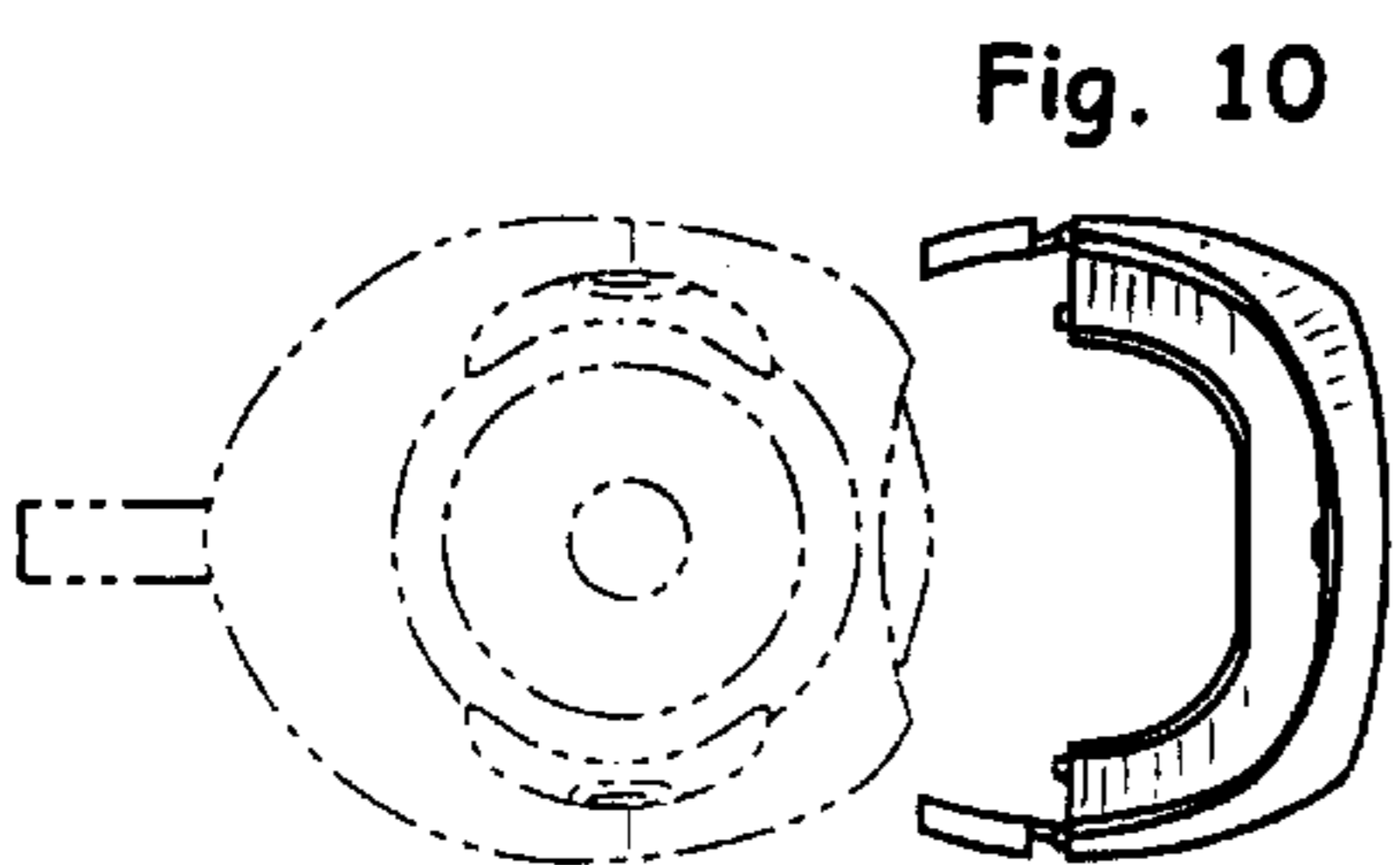


Fig. 10

Fig. 11

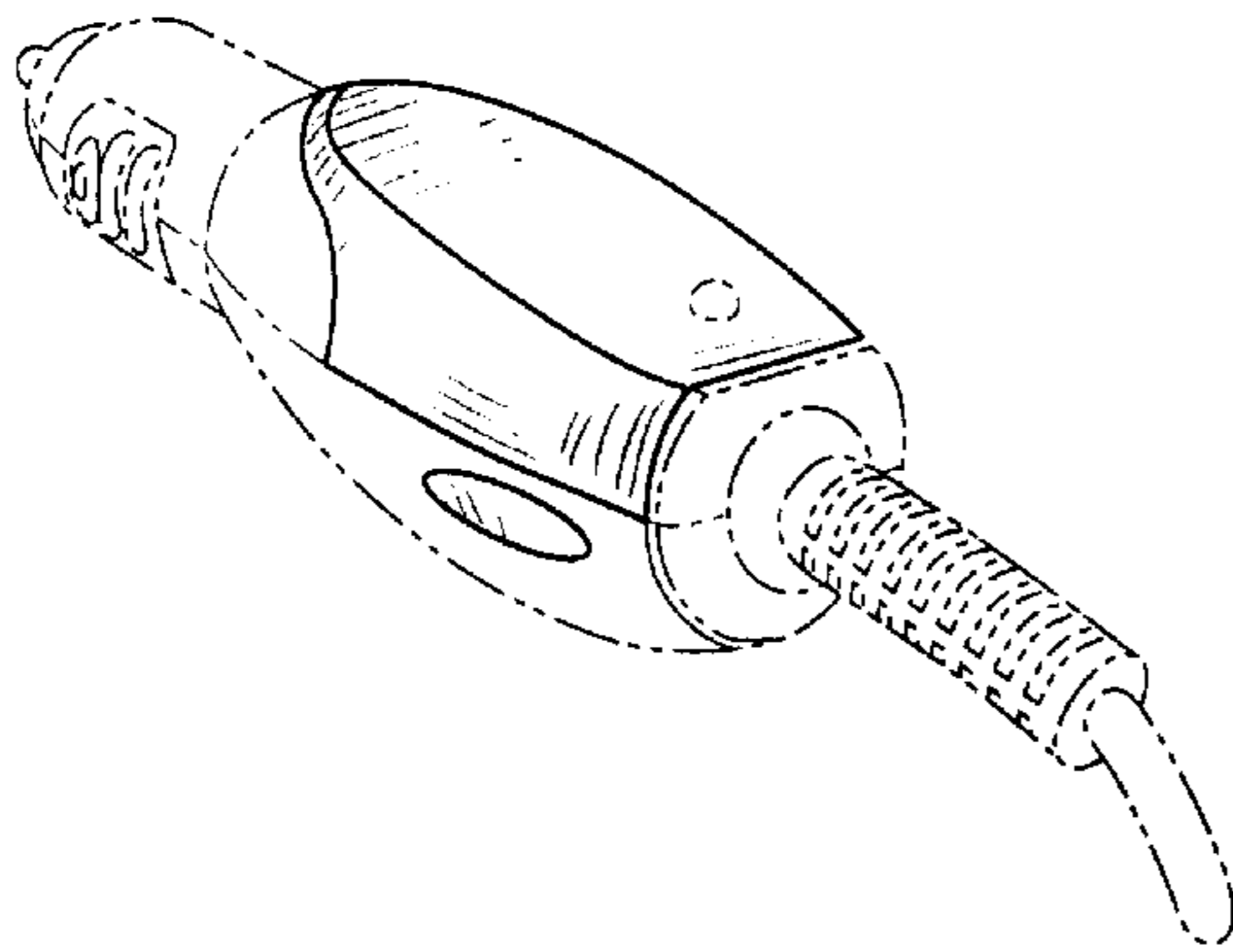


Fig. 12

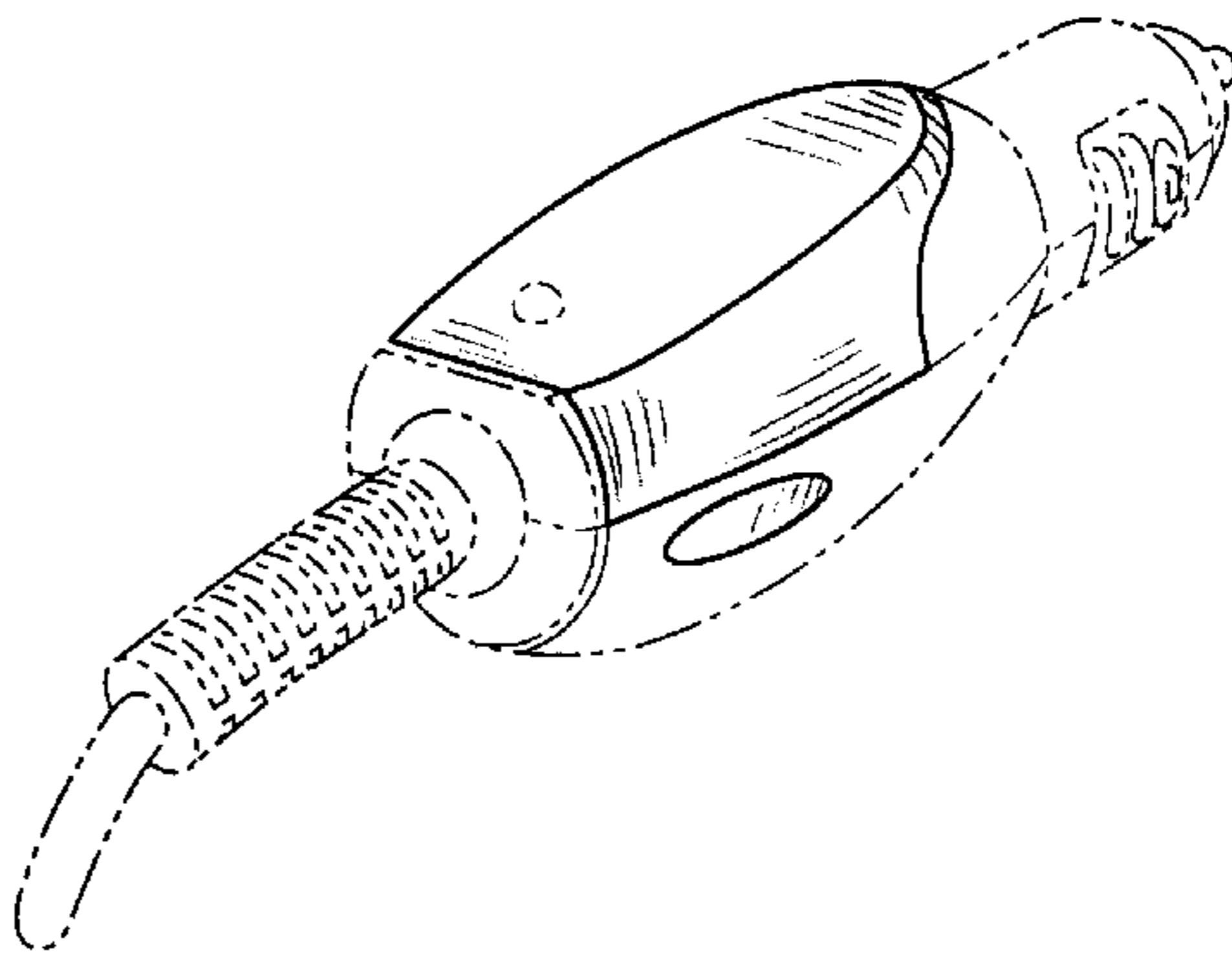


Fig. 13

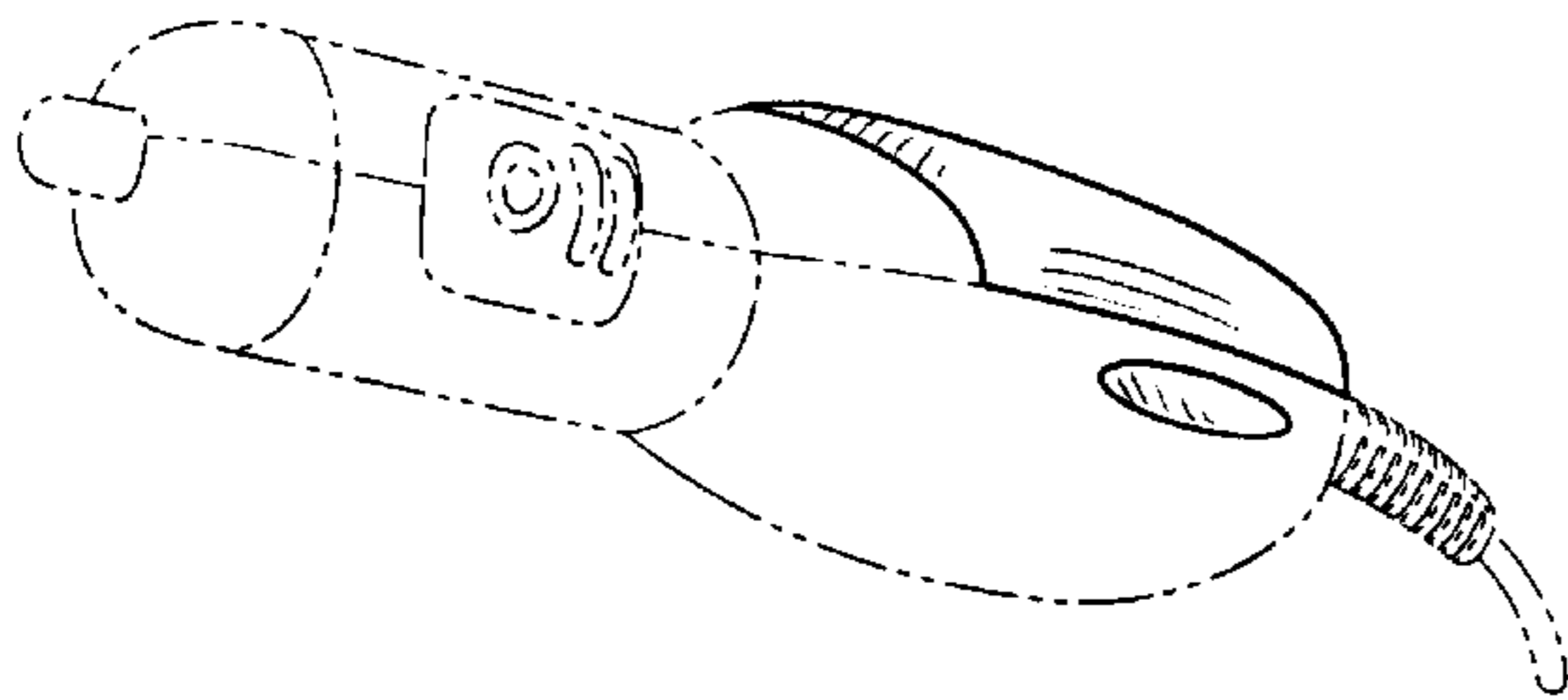


Fig. 14

