

US00D508016S

(12) **United States Design Patent** (10) **Patent No.:** **US D508,016 S**
Clark (45) **Date of Patent:** **** Aug. 2, 2005**

- (54) **AUTOMOBILE CONSOLE**
 (75) Inventor: **Brian E. Clark**, Keizer, OR (US)
 (73) Assignee: **Auto Additions Inc.**, Brooks, OR (US)
 (**) Term: **14 Years**
 (21) Appl. No.: **29/177,692**
 (22) Filed: **Mar. 14, 2003**
 (51) **LOC (8) Cl.** **12-16**
 (52) **U.S. Cl.** **D12/415**
 (58) **Field of Search** D12/415; 286/37.1,
 286/37.8; 180/90

- D443,855 S 6/2001 Herer et al.
 D447,998 S 9/2001 Pfeiffer et al.
 D453,318 S 2/2002 Moore
 D474,731 S * 5/2003 Moore D12/415

FOREIGN PATENT DOCUMENTS

GB 2071658 * 1/1998

OTHER PUBLICATIONS

Consolidator Consoles & Computer Mounts brochure, Havis-Shields Equipment Corporation, Aug. 1996.
1998 Solutions Manual, Gamber-Johnson, pp. 4-17, 19-24, 38, 40, 46-48, 50-53, 55, 67, 69 & 71, 1998.
The Mounting Guide 3rd Edition brochure, Stewart Products, Inc., 1998-1999.

(56) **References Cited**

U.S. PATENT DOCUMENTS

- D201,795 S * 8/1965 Nimetz et al. D12/415
 D218,438 S 8/1970 Shook et al.
 3,550,001 A 12/1970 Hanley
 3,984,161 A 10/1976 Johnson
 D279,329 S 6/1985 Dzak
 4,733,900 A 3/1988 Fluharty
 4,846,382 A 7/1989 Foultnier et al.
 5,005,898 A 4/1991 Benedetto et al.
 5,174,621 A 12/1992 Anderson
 5,181,555 A 1/1993 Chruniak
 5,199,772 A 4/1993 Jordan
 5,282,556 A 2/1994 Bossert
 D363,916 S 11/1995 Johnson
 D382,534 S * 8/1997 Green D12/415
 D389,798 S * 1/1998 Ma et al. D12/192
 5,904,389 A * 5/1999 Vaishnav et al. 296/37.1
 6,048,020 A 4/2000 Gronowicz et al.
 D425,475 S 5/2000 Herer
 6,086,129 A 7/2000 Gray
 D429,209 S 8/2000 Inchaurregui
 D429,684 S 8/2000 Johnson
 6,123,377 A 9/2000 Lecher et al.
 D434,365 S 11/2000 Herer et al.
 D437,299 S 2/2001 Johnson
 D438,841 S 3/2001 Smith
 D443,246 S 6/2001 Smith

(Continued)

Primary Examiner—Charles Rademaker
Assistant Examiner—Maurice Stevens
 (74) *Attorney, Agent, or Firm*—Alleman Hall McCoy Russell & Tuttle LLP

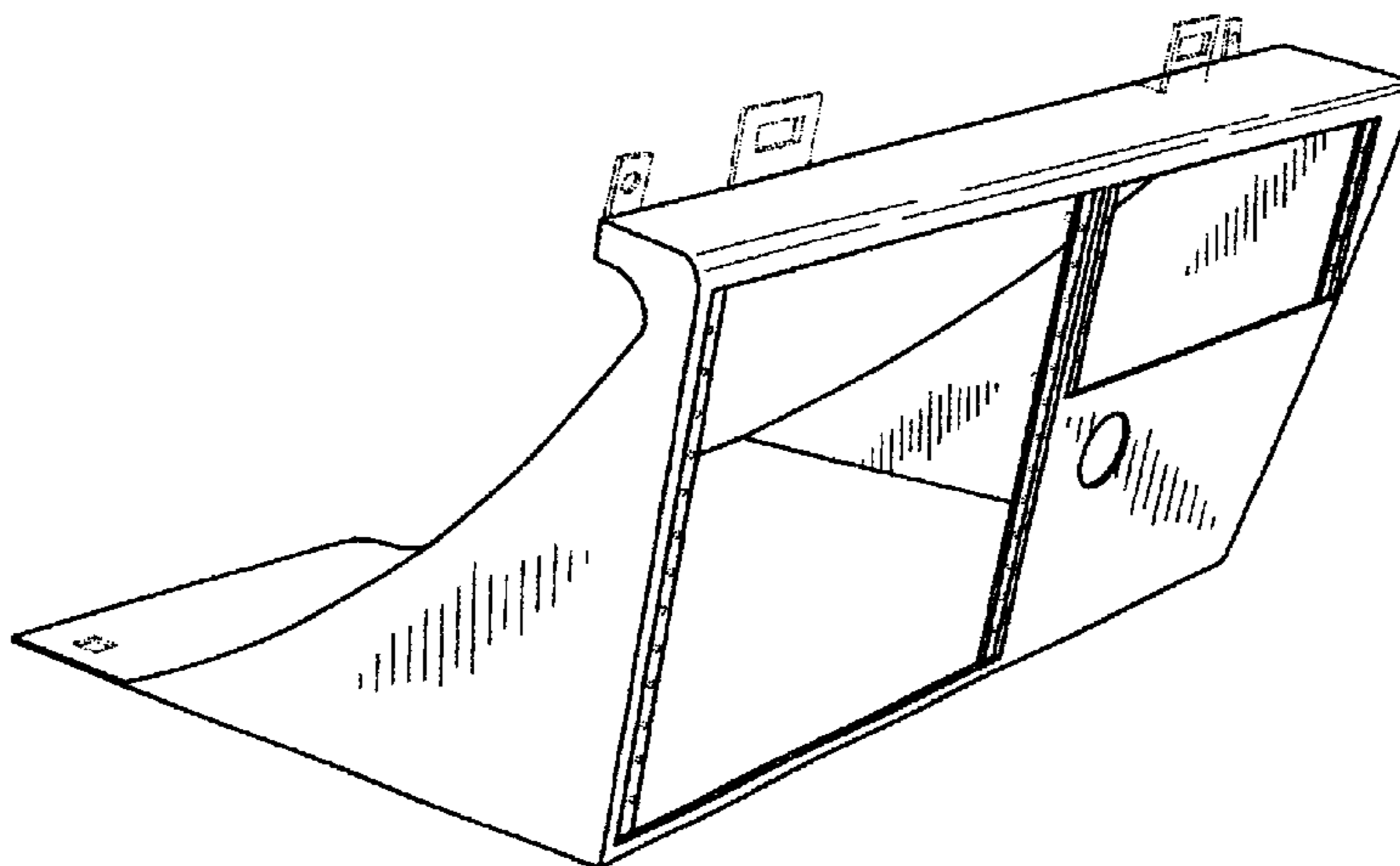
(57) **CLAIM**

The ornamental design for an automobile console, as shown and described.

DESCRIPTION

FIG. 1 is a front perspective view of an automobile console showing my new design;
 FIG. 2 is another front perspective view thereof shown on an enlarged scale;
 FIG. 3 is a front elevation thereof;
 FIG. 4 is a rear elevation thereof;
 FIG. 5 is a right side elevation thereof;
 FIG. 6 is a left side elevation thereof;
 FIG. 7 is a top plan view thereof; and,
 FIG. 8 is a bottom plan view thereof.
 The broken lines in the figure descriptions are for illustrative purposes only and form no part of the claimed design.

1 Claim, 3 Drawing Sheets



OTHER PUBLICATIONS

Assembled Products Corporation flyer showing vehicle equipment consoles; flyer is apparently dated Mar. 22, 2001, publication date unknown.

Assembled Products Corporation flyer showing vehicle equipment consoles (Model CC-I); flyer is apparently dated Apr. 18, 2001, publication date unknown.

Assembled Products Corporation flyer showing vehicle equipment consoles (Model SC-GE); flyer is apparently dated Apr. 18, 2001, publication date unknown.

Assembled Products Corporation flyer showing vehicle equipment consoles (Model CC-CVCC); flyer is apparently dated May 3, 2001, publication date unknown.

Assembled Products Corporation flyer showing vehicle equipment consoles (Model SC-L); flyer is apparently dated May 3, 2001, publication date unknown.

Assembled Products Corporation flyer showing vehicle equipment consoles (Model CC-EX); flyer is apparently dated Jul. 5, 2001, publication date unknown.

“Air Bag Compatible” Command Consoles flier (2 pages), Troy Products, publication date unknown.

Troy Products Price List (4 pages), Troy Products, list is apparently dated Dec. 15, 1992, publication date unknown.

Troy Products CC-C06 Instructions (4 pages), Troy Products, publication date unknown.

Buying Cheap Equipment Is Like Shooting Yourself In The Foot brochure (8 pages), Troy Products, 1995 copyright notice, publication date unknown.

Consolidator New Consoles and Computer Mounts brochure (4 pages); Havis-Shields Equipment Corporation, 1999 copyright notice, publication date unknown.

Troy Public Safety Products flier (1 page), Troy Products, 1993 copyright notice, publication date unknown.

“Air Bag Compatible” Command Console and miscellaneous promotional materials (5 pages), publication date unknown.

Havis-Shields end-user parts and pricing guide (16 pages), Havis-Shields Equipment Corporation, guide is apparently dated Jan. 1, 1999, publication date unknown.

* cited by examiner

Fig. 1

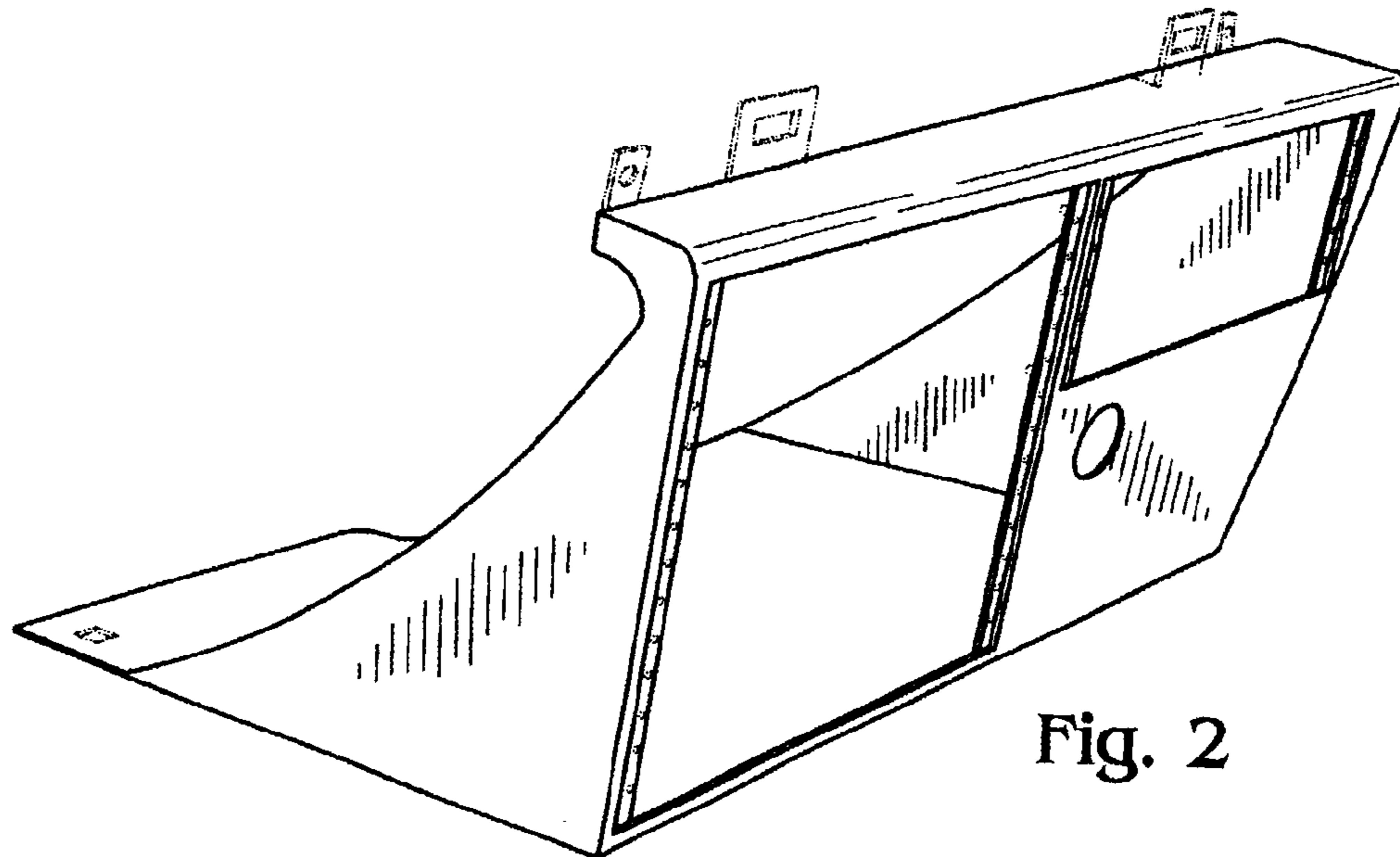
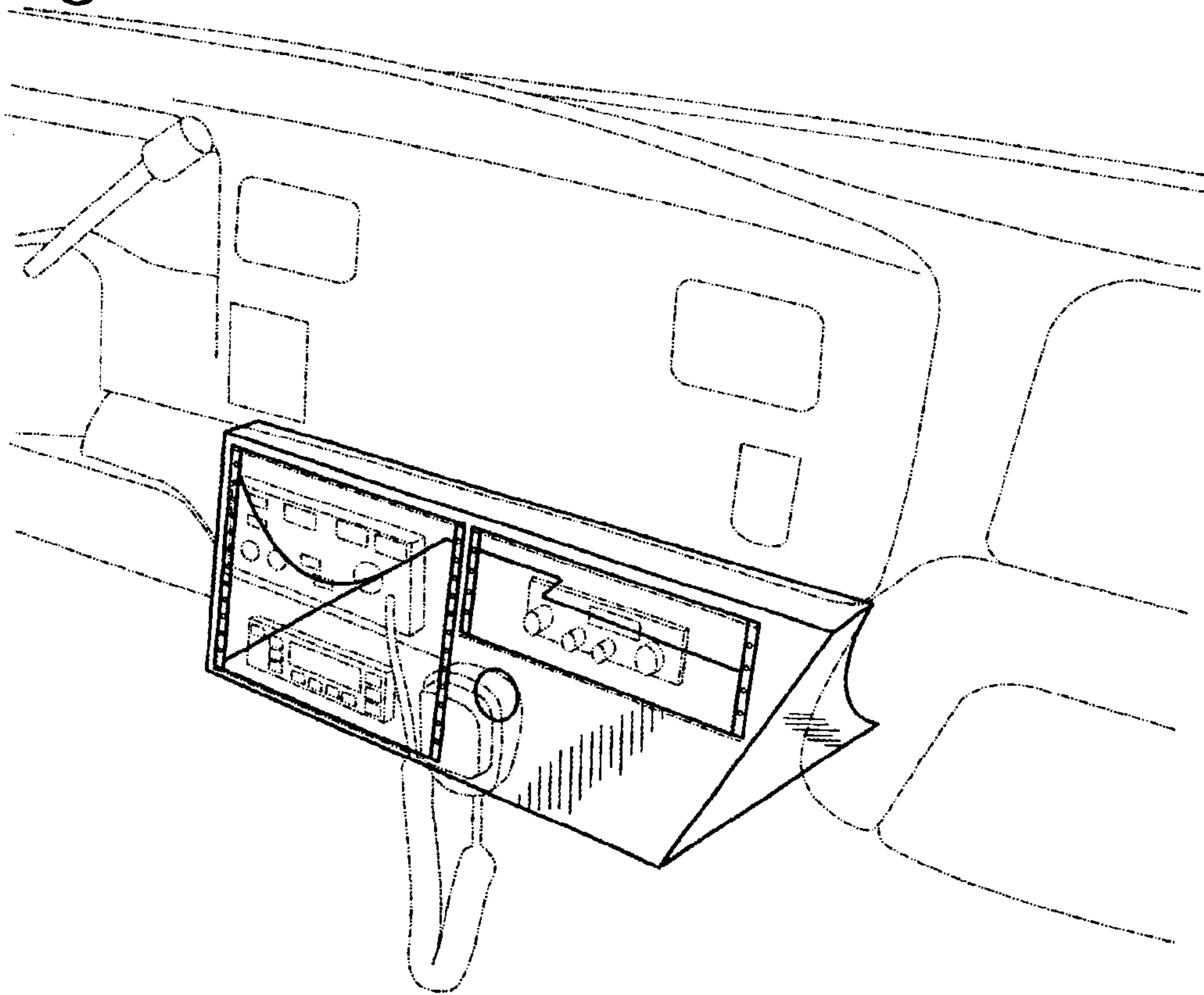


Fig. 2

Fig. 3

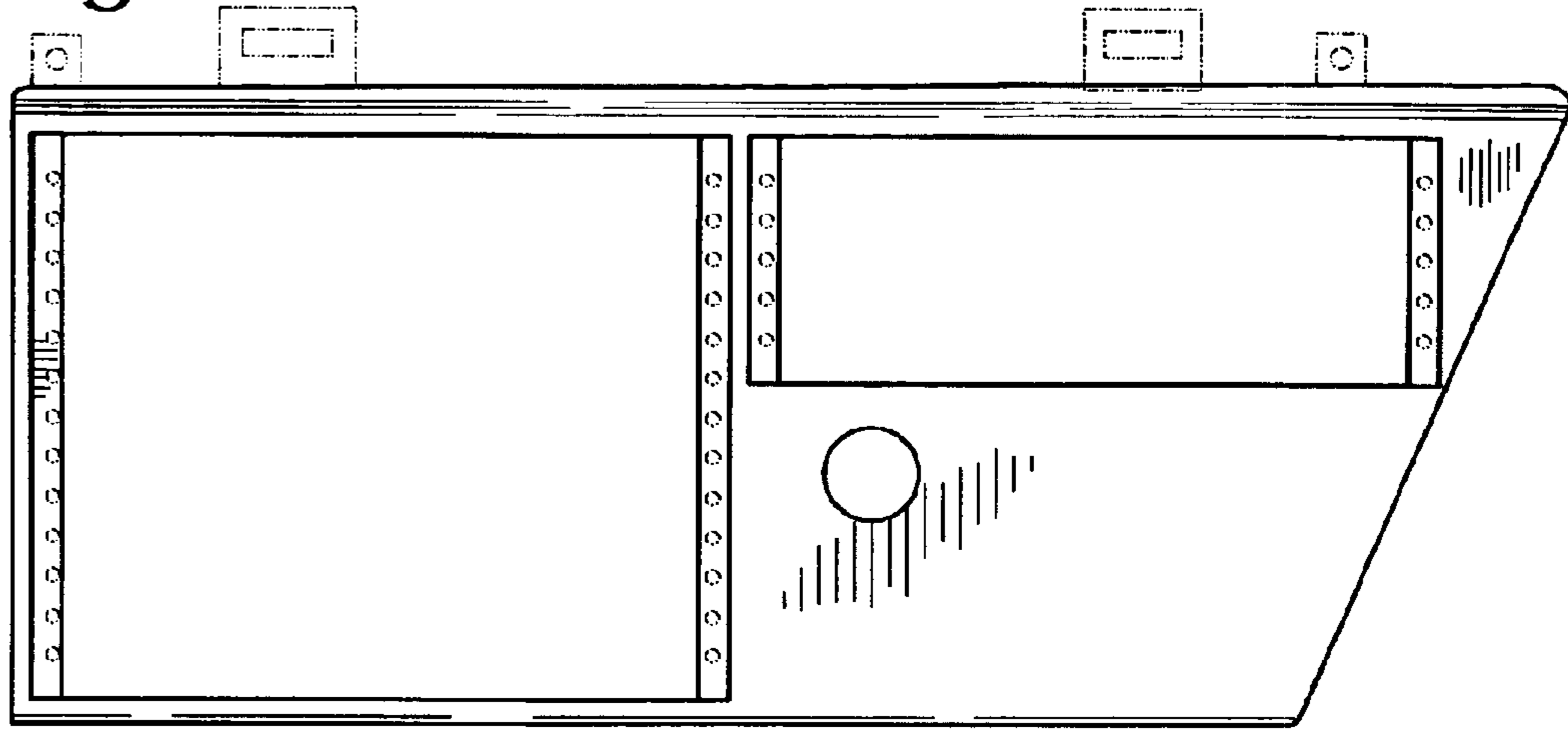


Fig. 4

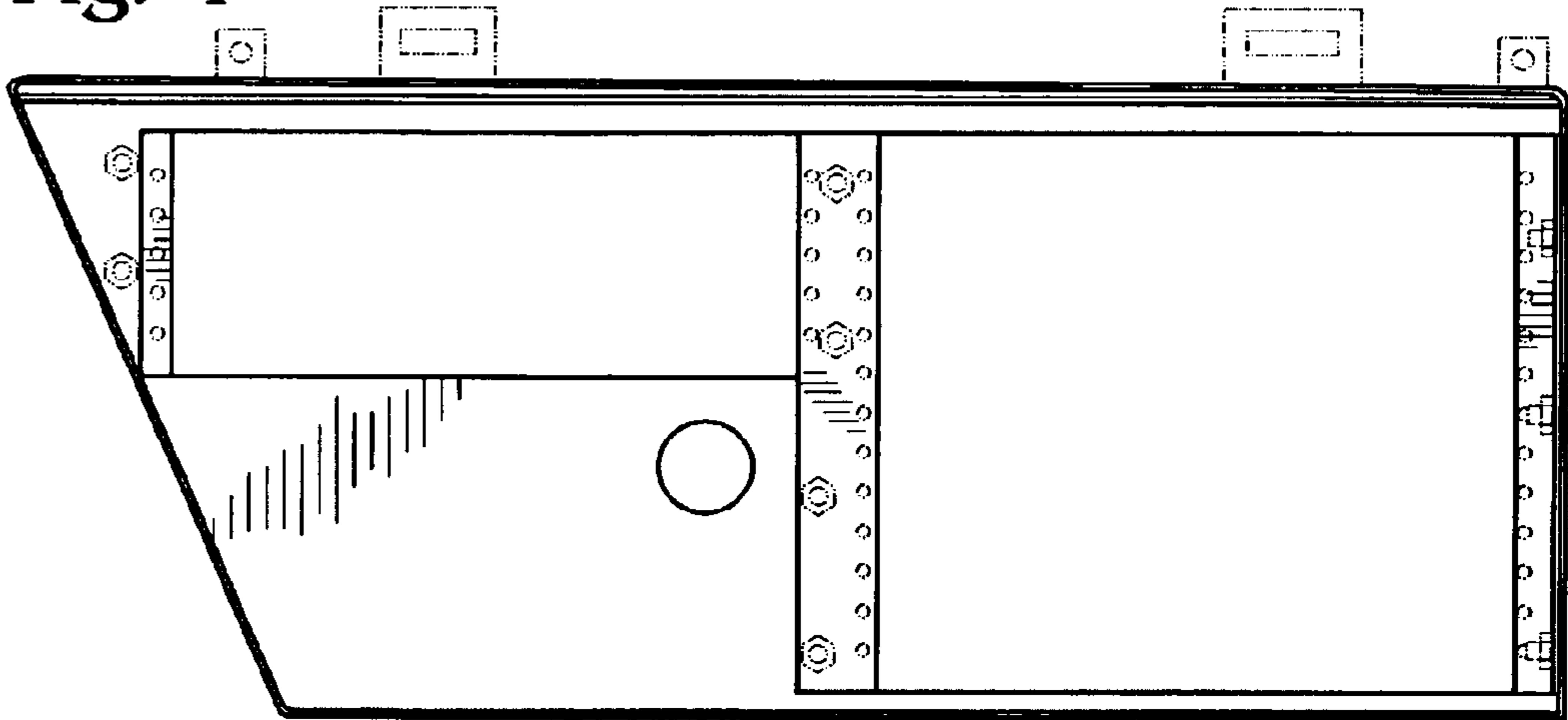


Fig. 5

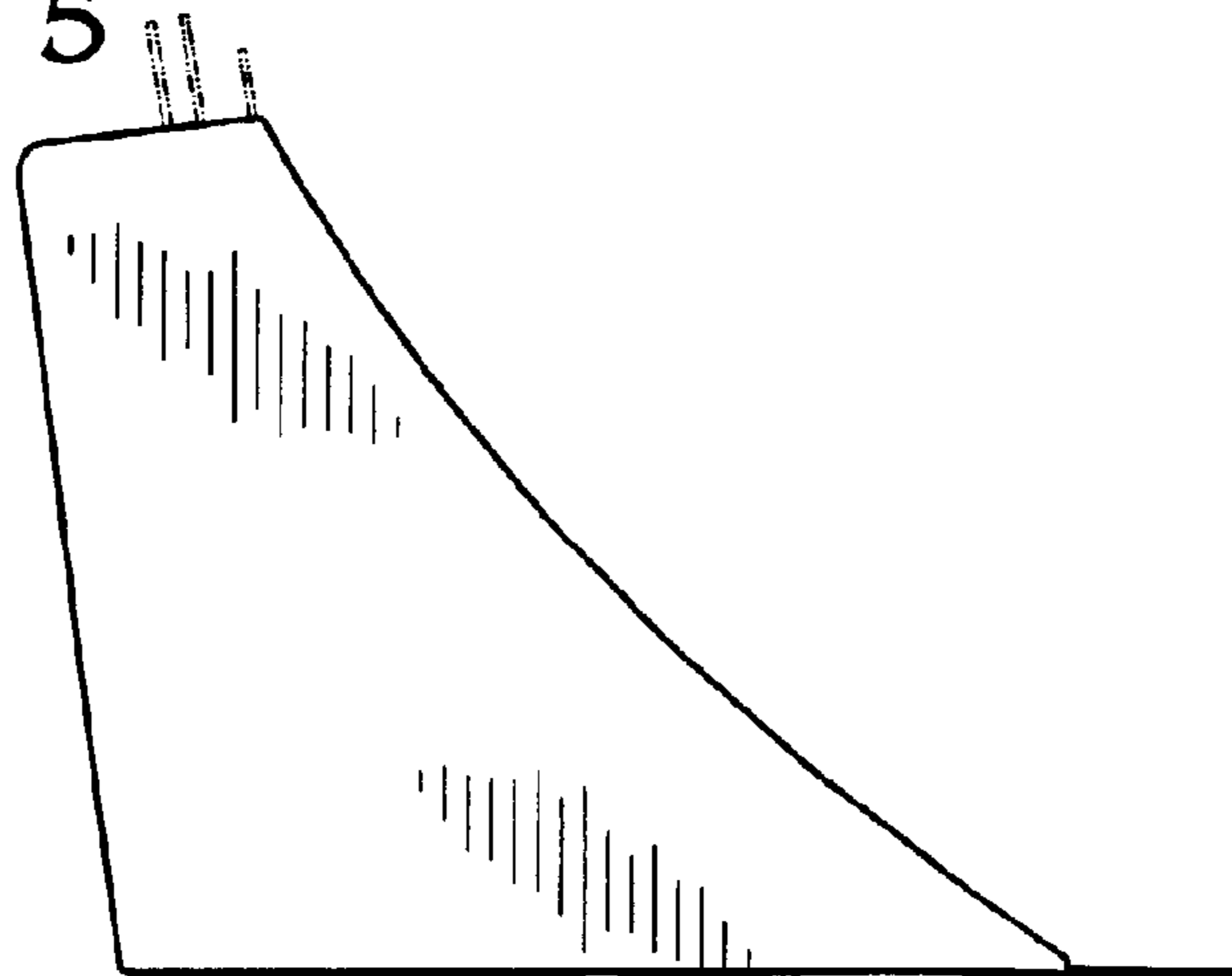


Fig. 6

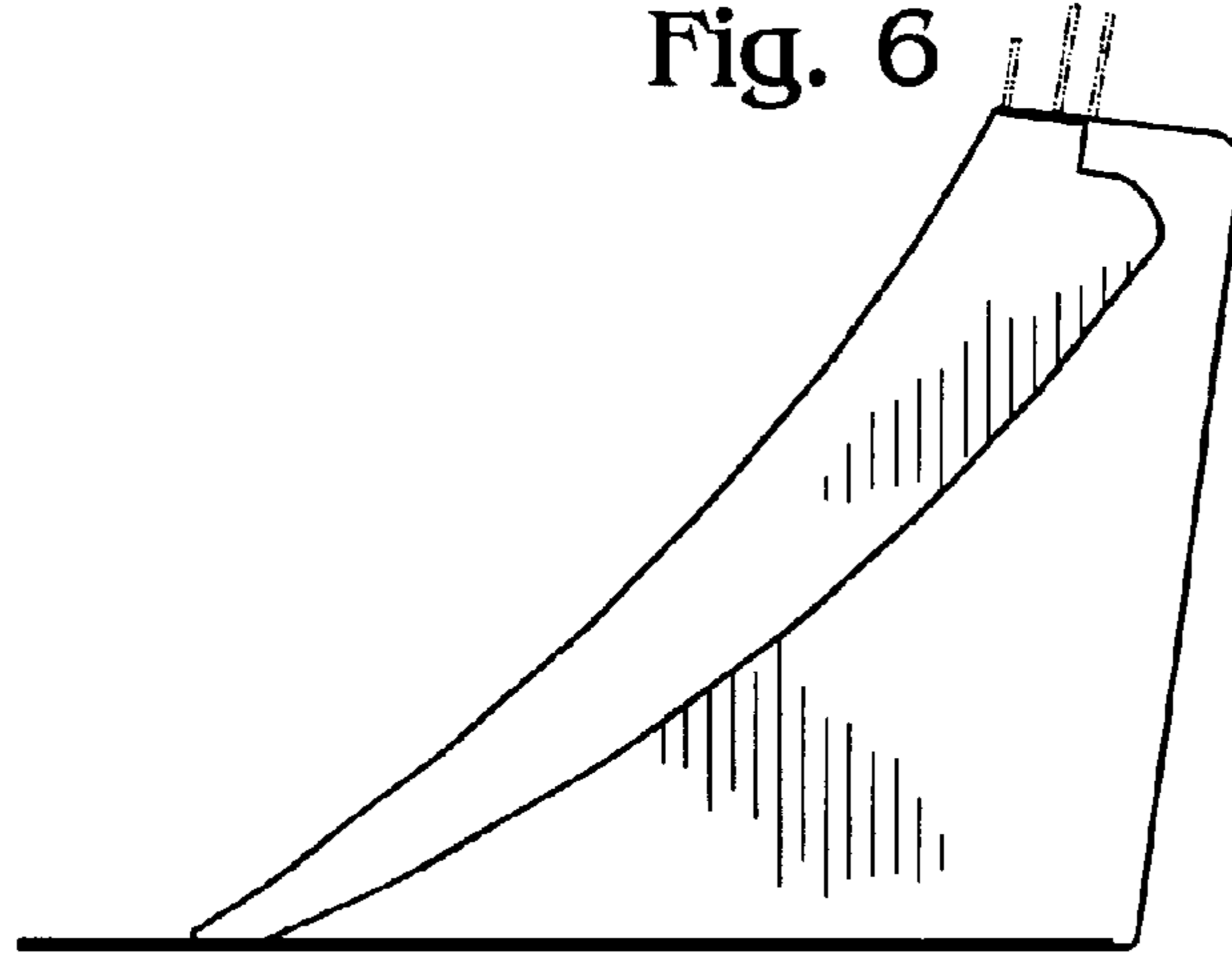


Fig. 7

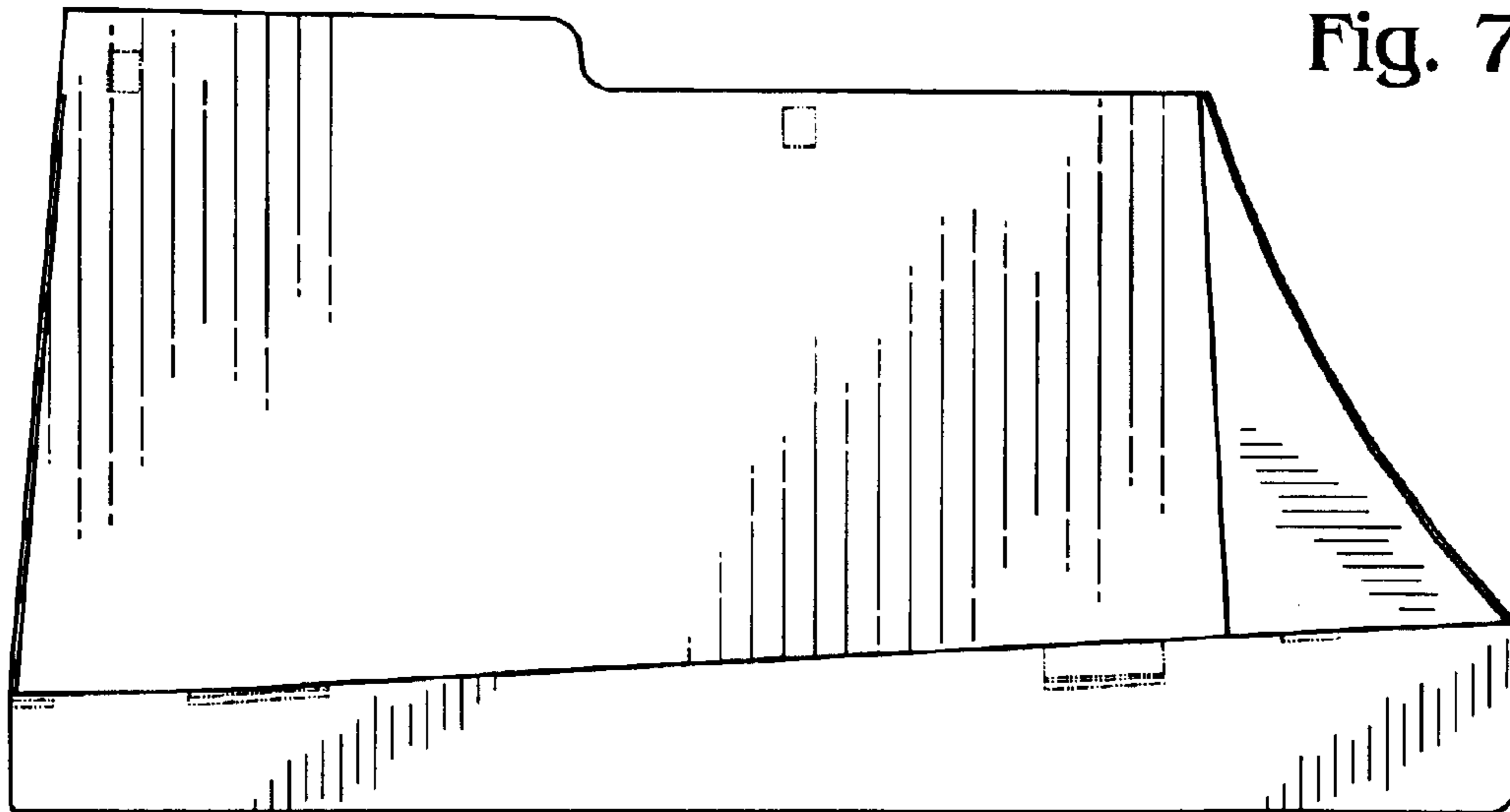


Fig. 8

