

US00D508012S

(12) **United States Design Patent**
Gatwood

(10) **Patent No.:** **US D508,012 S**
(45) **Date of Patent:** **** Aug. 2, 2005**

- (54) **KAYAK WHEELED CARRIAGE**
- (76) Inventor: **George L. Gatwood**, 1181 Anclote Rd.,
No. 16, Tarpon Springs, FL (US) 34689
- (**) Term: **14 Years**
- (21) Appl. No.: **29/197,232**
- (22) Filed: **Jan. 13, 2004**
- (51) **LOC (8) Cl.** **12-06**
- (52) **U.S. Cl.** **D12/317**
- (58) **Field of Search** D12/300, 302,
D12/317; 280/414.1, 414.2, 414.3, 414.5;
114/347

(56) **References Cited**
U.S. PATENT DOCUMENTS

1,002,661	A	*	9/1911	Erikson	114/344
2,890,466	A	*	6/1959	Bly	114/344
3,080,581	A	*	3/1963	Smihal	114/343
3,955,830	A	*	5/1976	Hardwick	280/414.3
4,352,337	A	*	10/1982	Wyoral	114/343
4,706,983	A	*	11/1987	Griswold	280/414.2
5,176,394	A	*	1/1993	Veazey	280/414.2
5,547,209	A	*	8/1996	Vanderlinde	280/414.2
5,791,279	A	*	8/1998	Hart	114/344
RE37,855	E	*	9/2002	Becht	280/414.2
6,824,155	B1	*	11/2004	Heck	280/414.2

* cited by examiner

Primary Examiner—Holly Baynham
Assistant Examiner—Cynthia M. Chin
(74) *Attorney, Agent, or Firm*—Larson & Larson, PA;
Herbert W. Larson

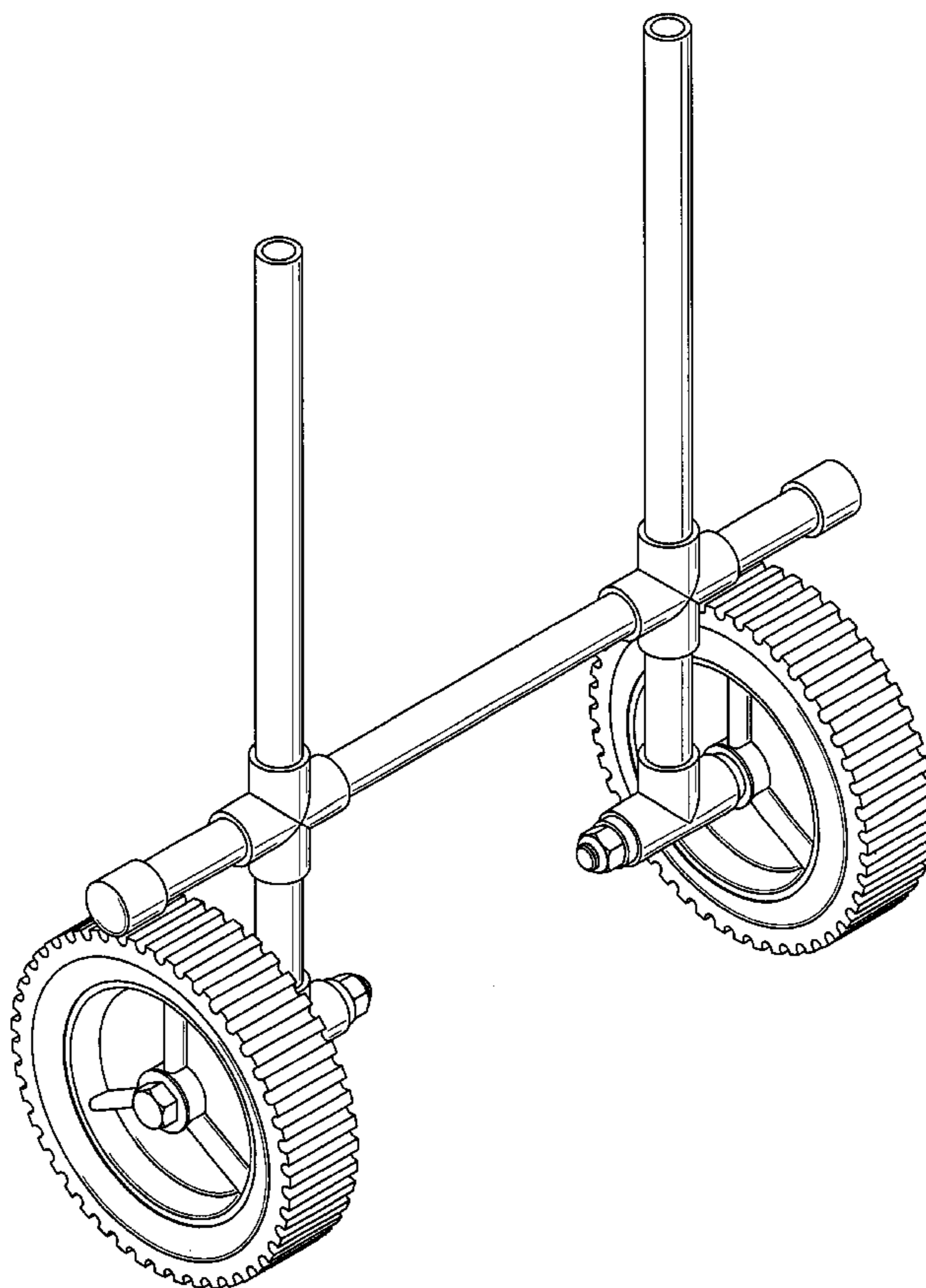
(57) **CLAIM**

The ornamental design for a kayak wheeled carriage, as shown and described.

DESCRIPTION

FIG. 1 is a front elevational view of the kayak wheeled carriage showing my novel design;
FIG. 2 is a rear elevational view thereof;
FIG. 3 is a left side view thereof;
FIG. 4 is a right side view thereof;
FIG. 5 is a top plan view thereof;
FIG. 6 is a bottom plan view thereof;
FIG. 7 is an enlarged perspective view of the kayak wheeled carriage of the present invention; and,
FIG. 8 is a reduced scale perspective view of the kayak wheeled carriage of the present invention shown mounted on a rear portion of a kayak.
The broken lines shown in FIG. 8 are for illustrative purposes only and form no part of the overall claimed design.

1 Claim, 5 Drawing Sheets



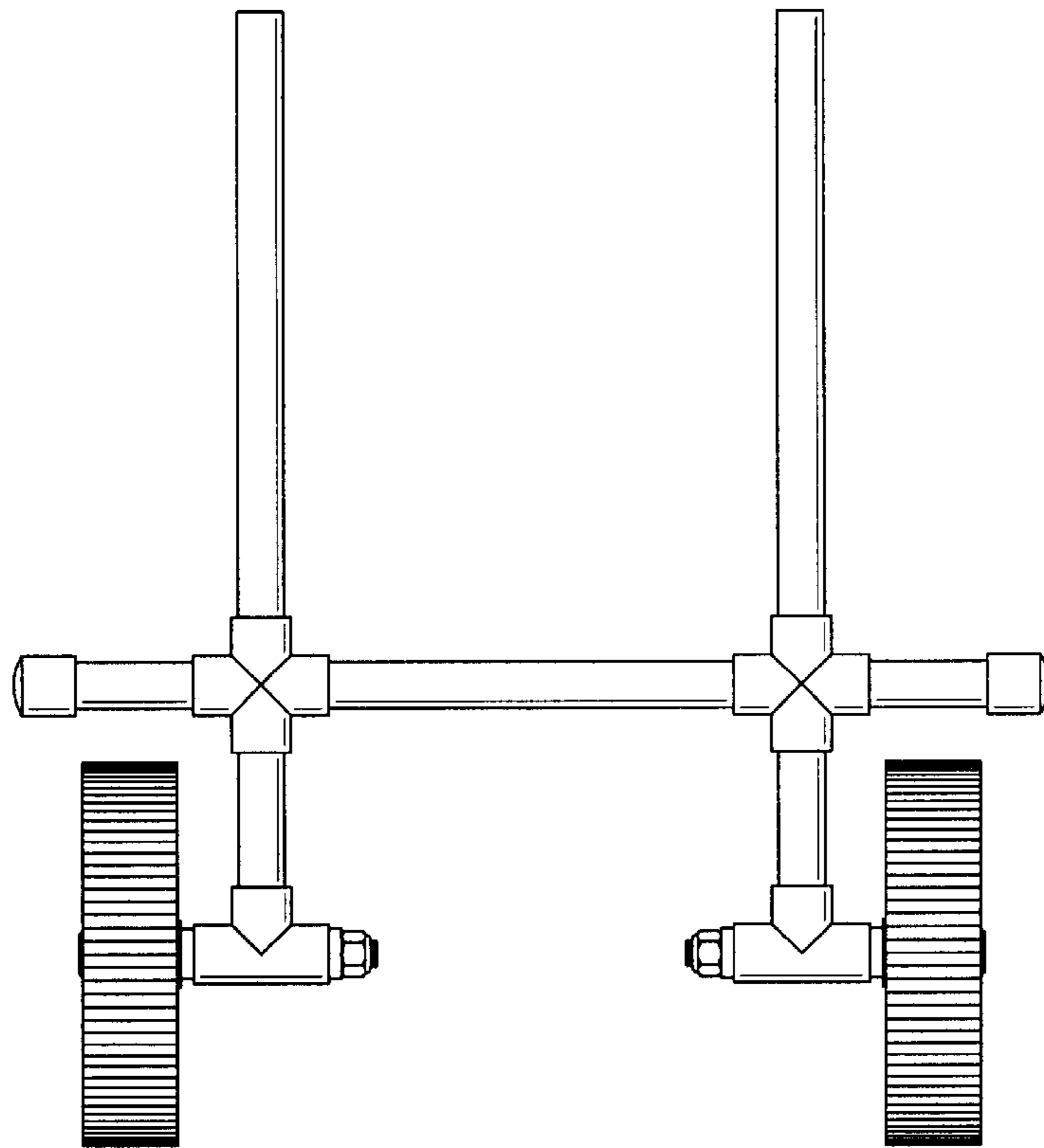


FIG. 1

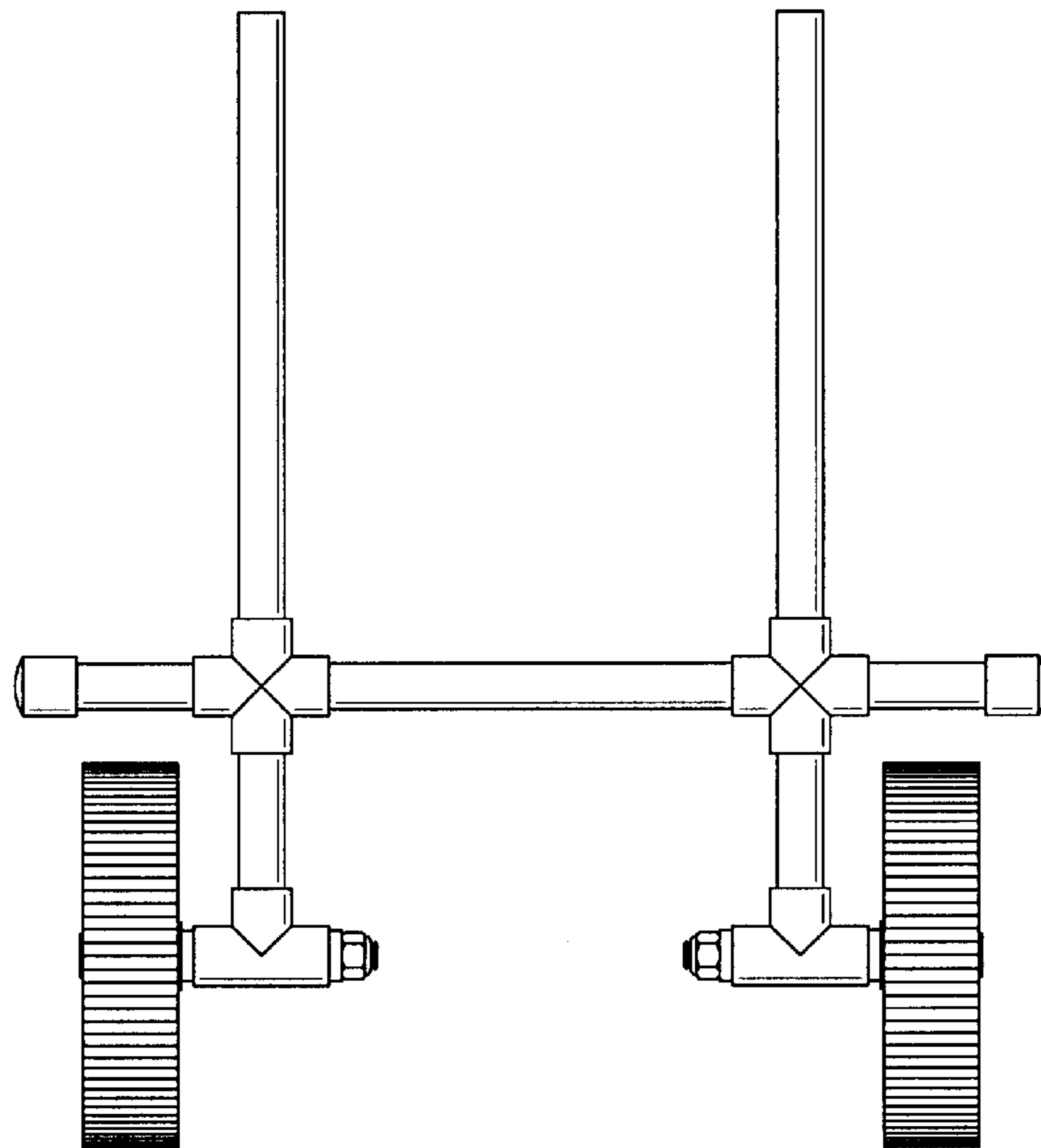


FIG. 2

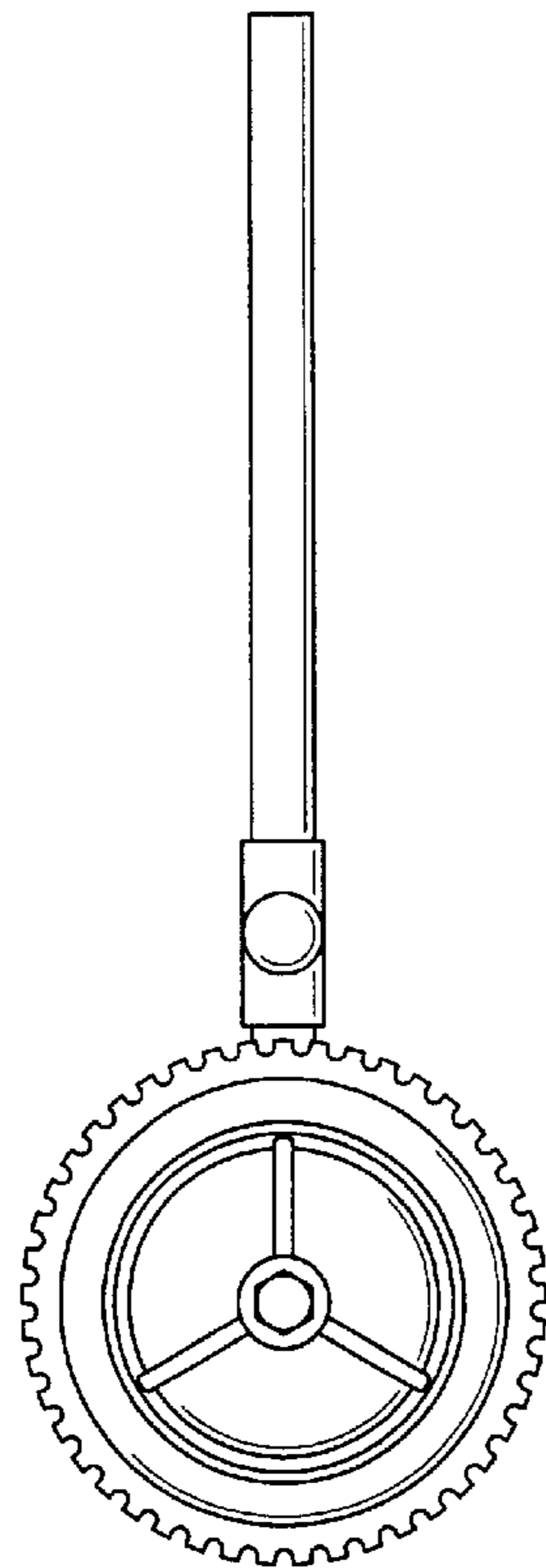


FIG. 3

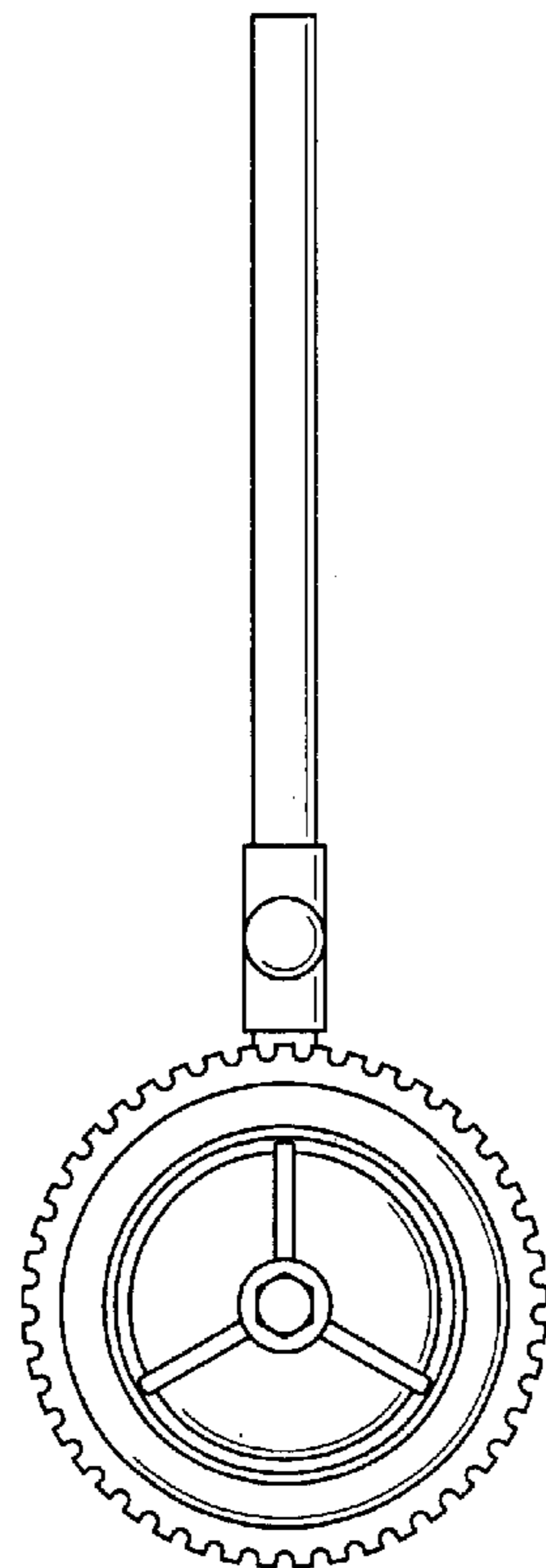


FIG. 4

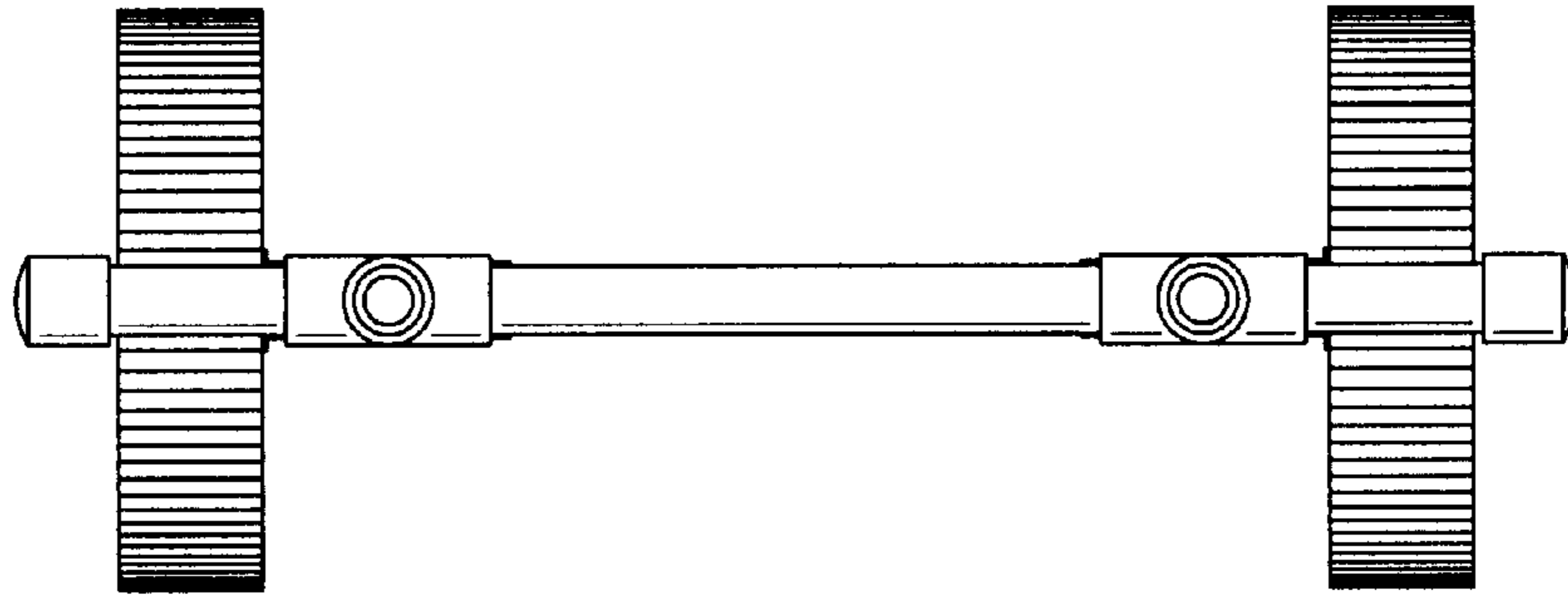


FIG. 5

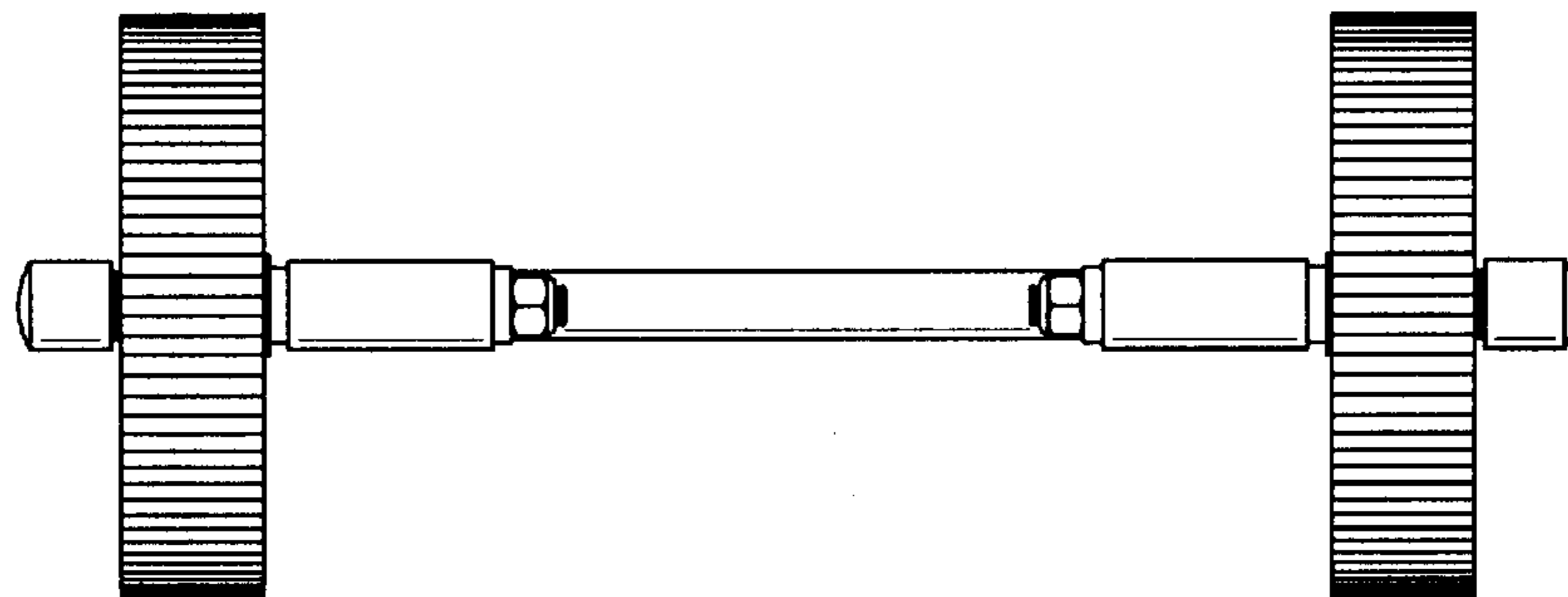


FIG. 6

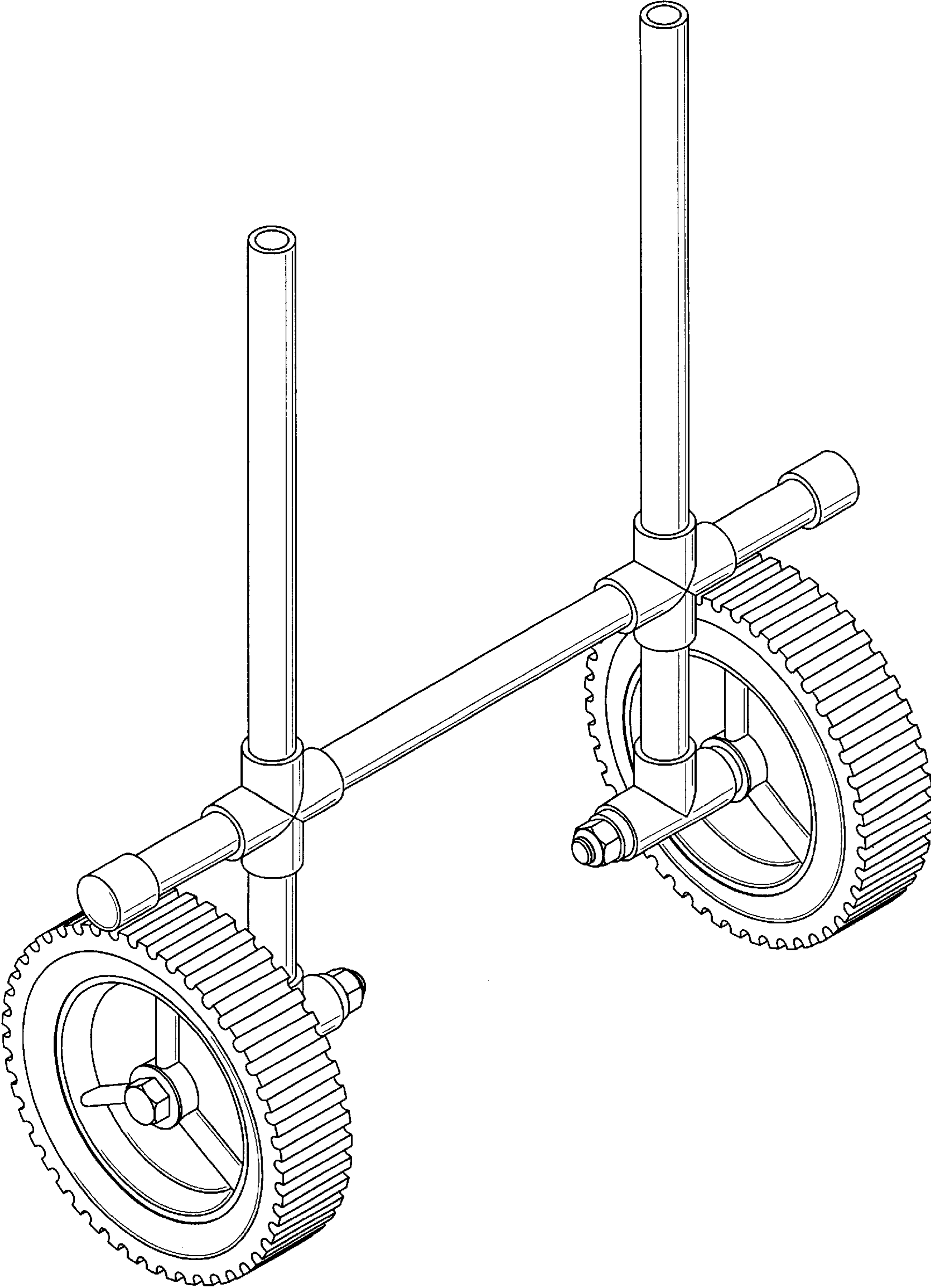


FIG. 7

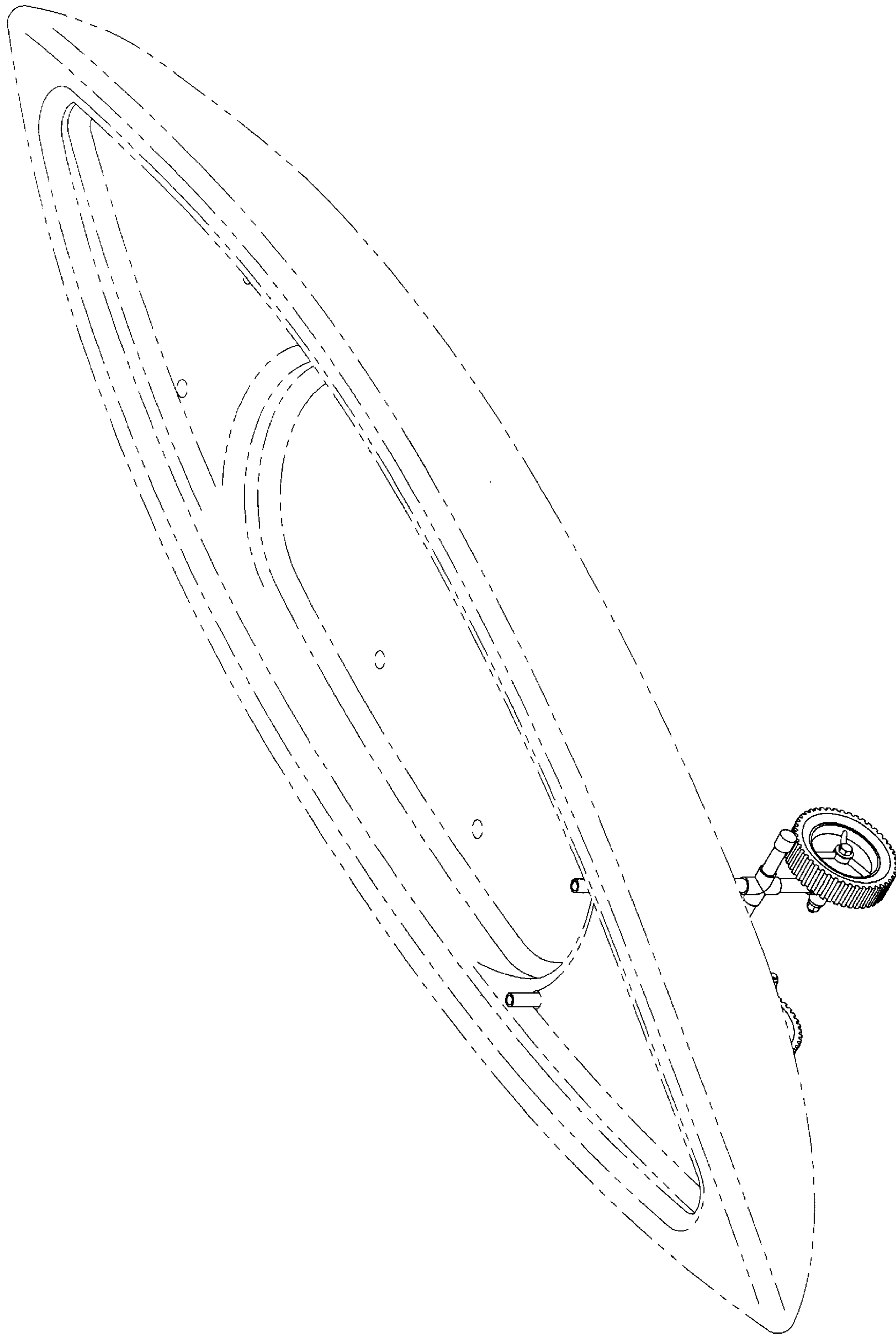


FIG. 8