



US00D508010S

(12) **United States Design Patent**
Matthies

(10) **Patent No.:** **US D508,010 S**
(45) **Date of Patent:** **** Aug. 2, 2005**

(54) **BRACKET FOR MOTORCYCLE-TO-TRIKE
CONVERSION KIT**

(76) **Inventor:** **Lawayne Matthies**, 1888 Mountain
Creek Pkwy., Dallas, TX (US) 75211

(**) **Term:** **14 Years**

(21) **Appl. No.:** **29/202,640**

(22) **Filed:** **Apr. 2, 2004**

(51) **LOC (8) Cl.** **12-06**

(52) **U.S. Cl.** **D12/223**

(58) **Field of Search** D12/111, 114,
D12/223, 159-162, 106; D8/16, 19, 349,
354, 366, 371, 373, 380; 280/288.4, 477,
502, 504, 511; 248/200, 300

(56) **References Cited**

U.S. PATENT DOCUMENTS

D243,655 S * 3/1977 Matousek et al. D8/354
5,529,141 A * 6/1996 Lehman et al. 180/209
D427,888 S * 7/2000 Hannon D8/354

* cited by examiner

Primary Examiner—Alan P. Douglas
Assistant Examiner—Linda Brooks
(74) *Attorney, Agent, or Firm*—James E. Walton

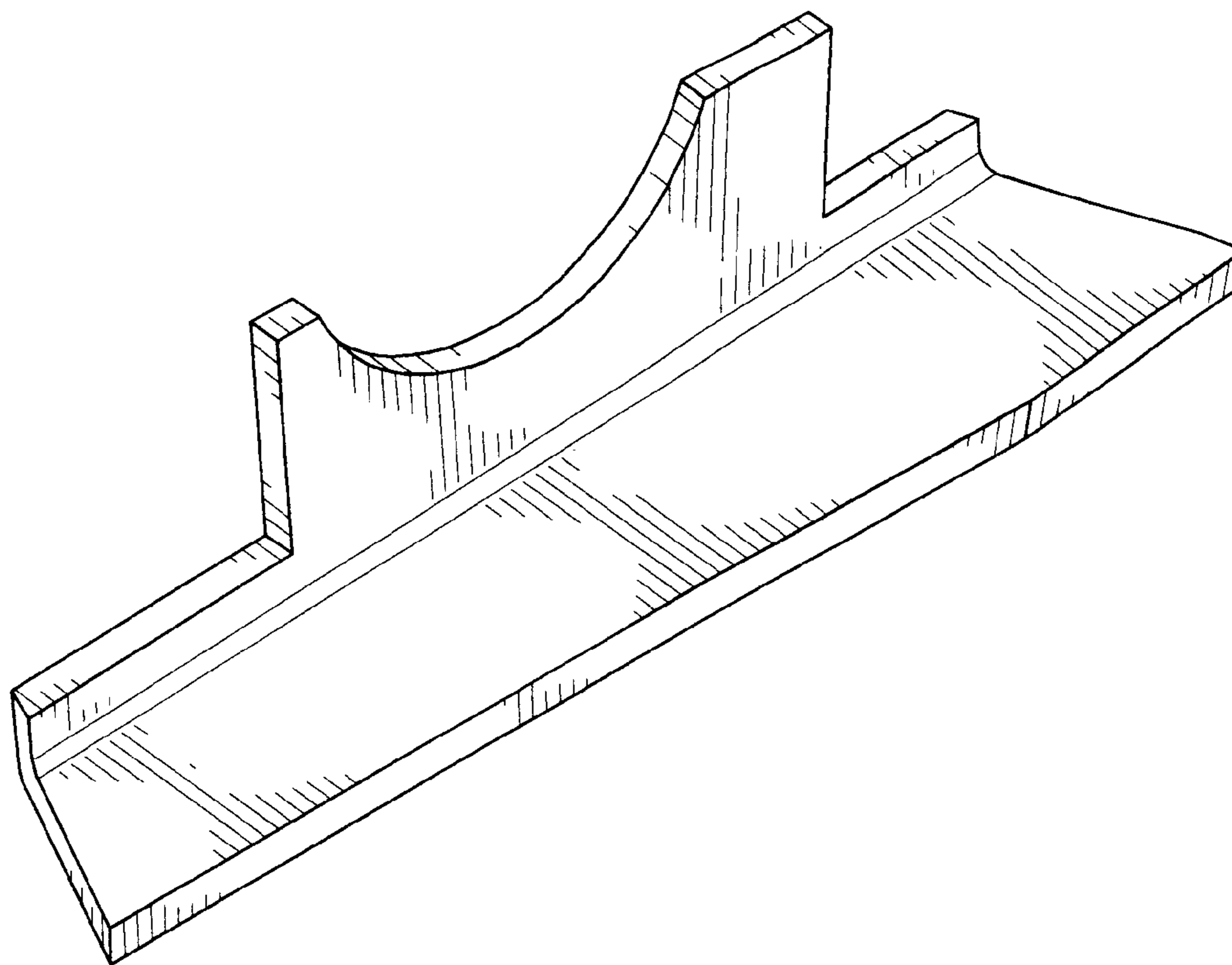
(57) **CLAIM**

The ornamental design for a bracket for motorcycle-to-trike conversion kit, as shown and described.

DESCRIPTION

FIG. 1 is a perspective view of the bracket for motorcycle-to-trike conversion kit according to the present invention. FIG. 2 is a front view of the bracket for motorcycle-to-trike conversion kit according to the present invention. FIG. 3 is a right side view of the bracket for motorcycle-to-trike conversion kit according to the present invention. FIG. 4 is a left side view of the bracket for motorcycle-to-trike conversion kit according to the present invention. FIG. 5 is a rear view of the bracket for motorcycle-to-trike conversion kit according to the present invention. FIG. 6 is a top view of the bracket for motorcycle-to-trike conversion kit according to the present invention; and, FIG. 7 is a bottom view of the bracket for motorcycle-to-trike conversion kit according to the present invention.

1 Claim, 2 Drawing Sheets



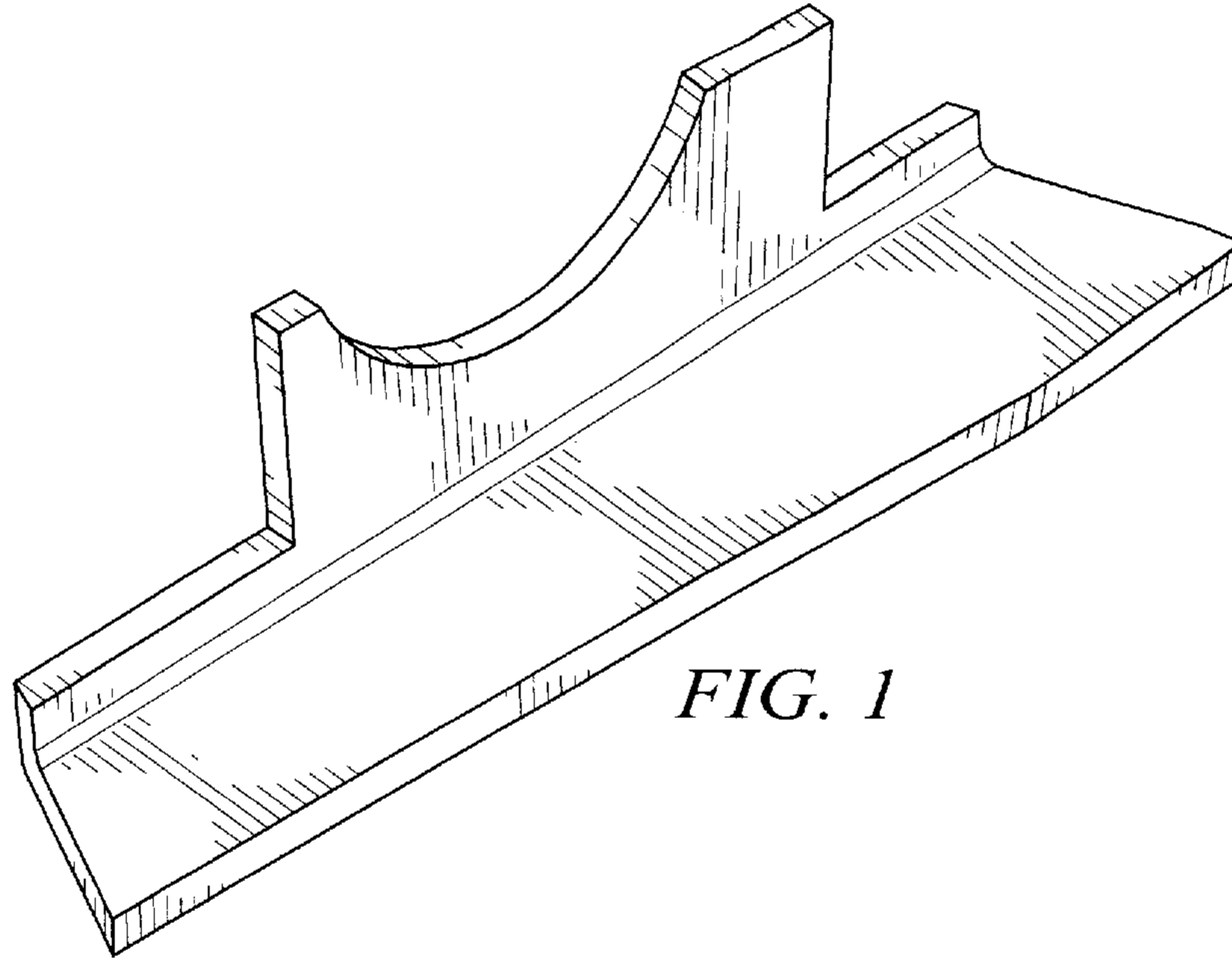


FIG. 1

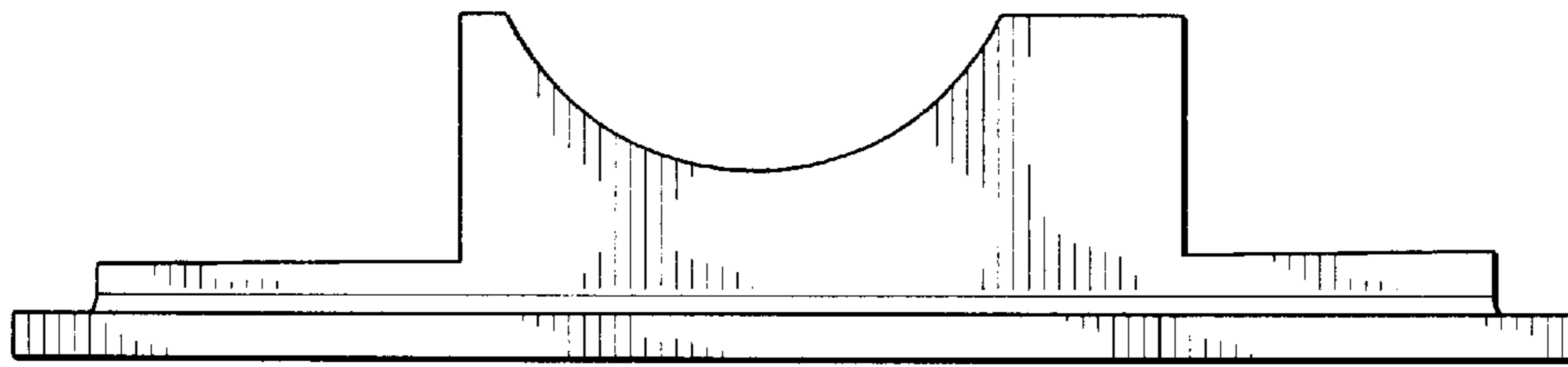


FIG. 2

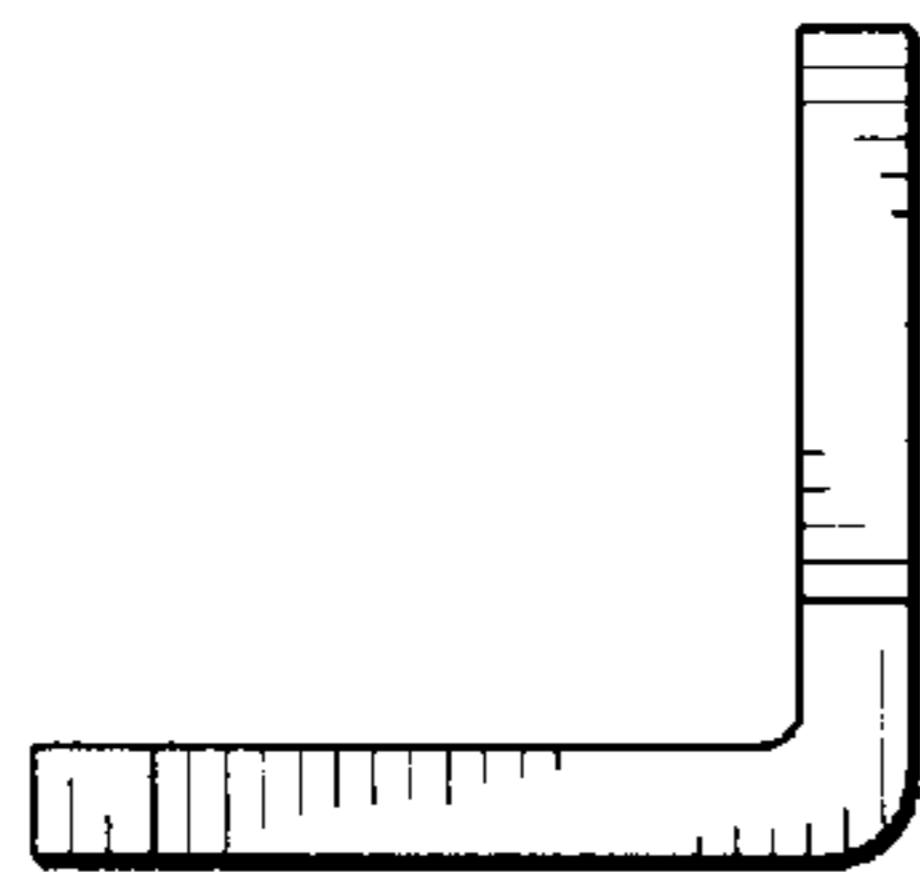


FIG. 3

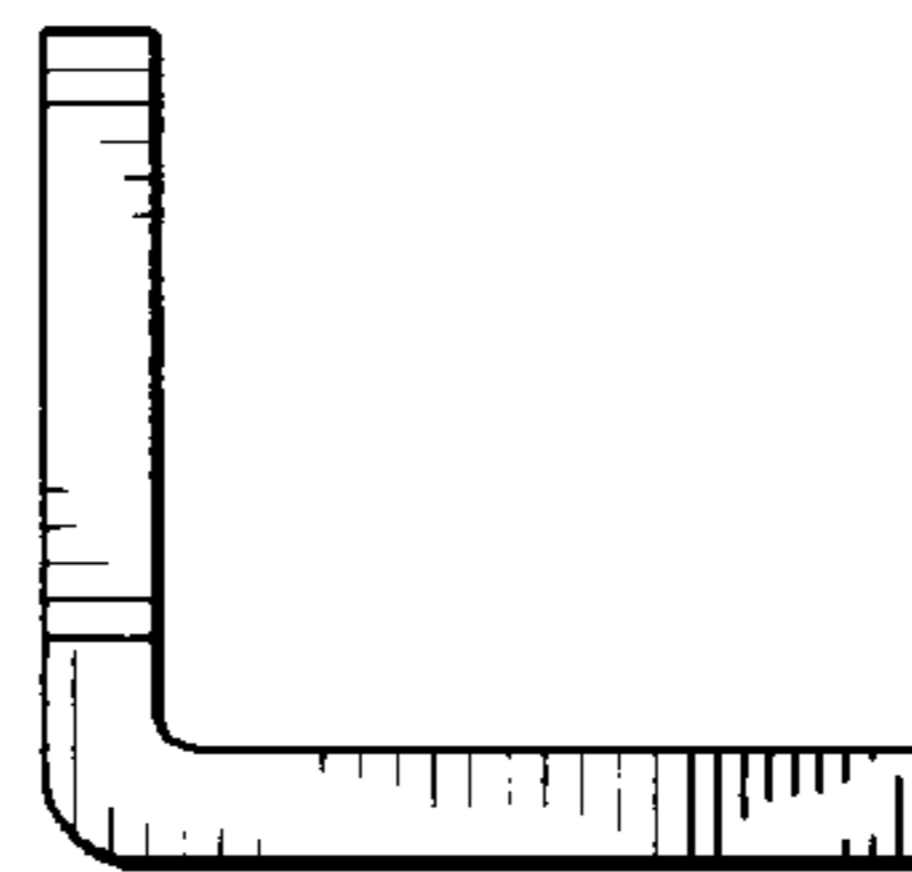


FIG. 4

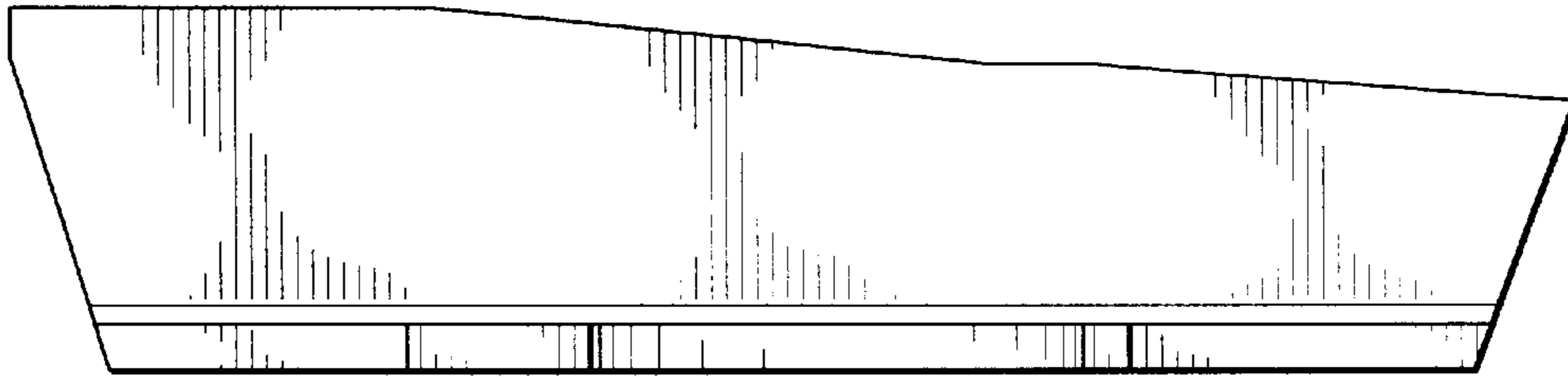


FIG. 6

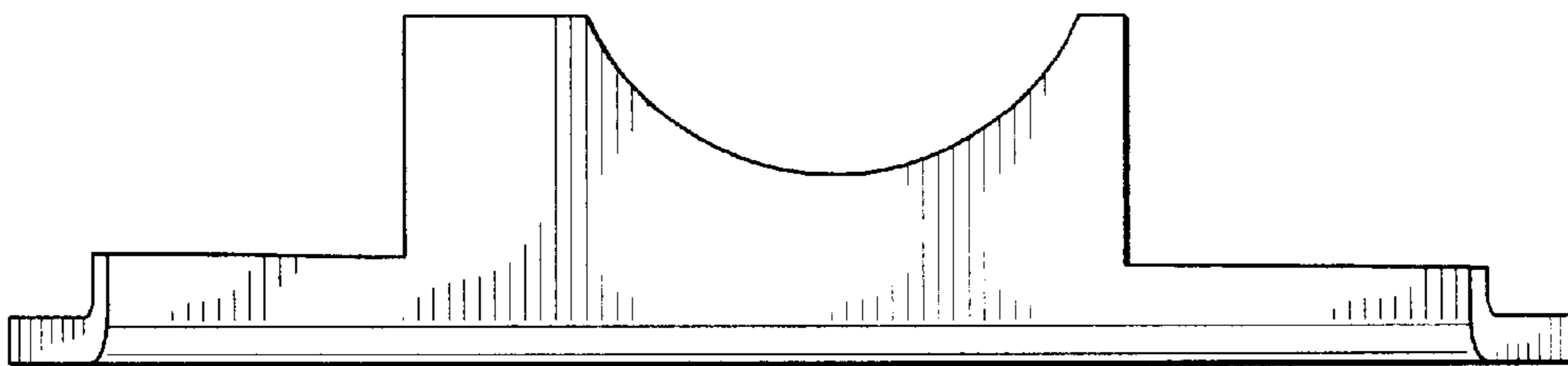


FIG. 5

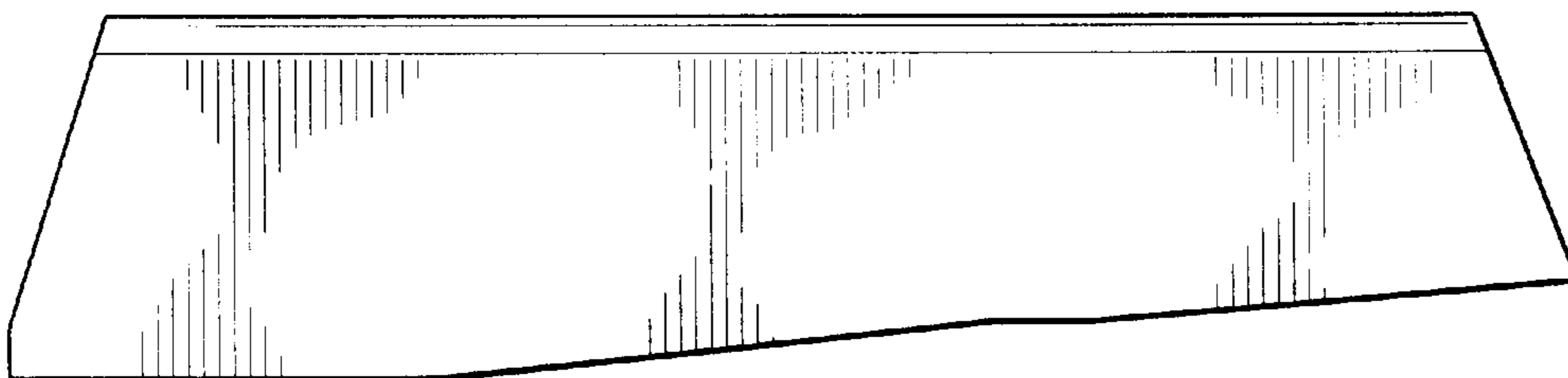


FIG. 7