

US00D508009S

(12) **United States Design Patent**
Urbina, Jr.

(10) **Patent No.:** **US D508,009 S**
(45) **Date of Patent:** **** Aug. 2, 2005**

(54) **PORTABLE, GROUND-ENGAGING ANCHOR FOR THE STATIC END OF A WINCH CABLE**

2004/0148820 A1 * 8/2004 Horton 37/411

* cited by examiner

(76) Inventor: **Arsenio Urbina, Jr.**, 8533 James Dr., Alvarado, TX (US) 76009

Primary Examiner—Jeffrey Asch
Assistant Examiner—Austin Murphy

(**) Term: **14 Years**

(74) *Attorney, Agent, or Firm*—Charles W McHugh

(21) Appl. No.: **29/209,489**

(57) **CLAIM**

(22) Filed: **Jul. 16, 2004**

The ornamental design for a “portable, ground-engaging anchor for the static end of a winch cable”, as shown and described.

(51) **LOC (8) Cl.** **12-06**

(52) **U.S. Cl.** **D12/215; D8/356**

(58) **Field of Search** D12/215; D8/356, D8/385; D15/140; D9/455; 160/318; 405/259; 37/346, 406; 114/299–303; 175/4.52; 280/801.2; D21/705; D3/315; 52/166, 163

DESCRIPTION

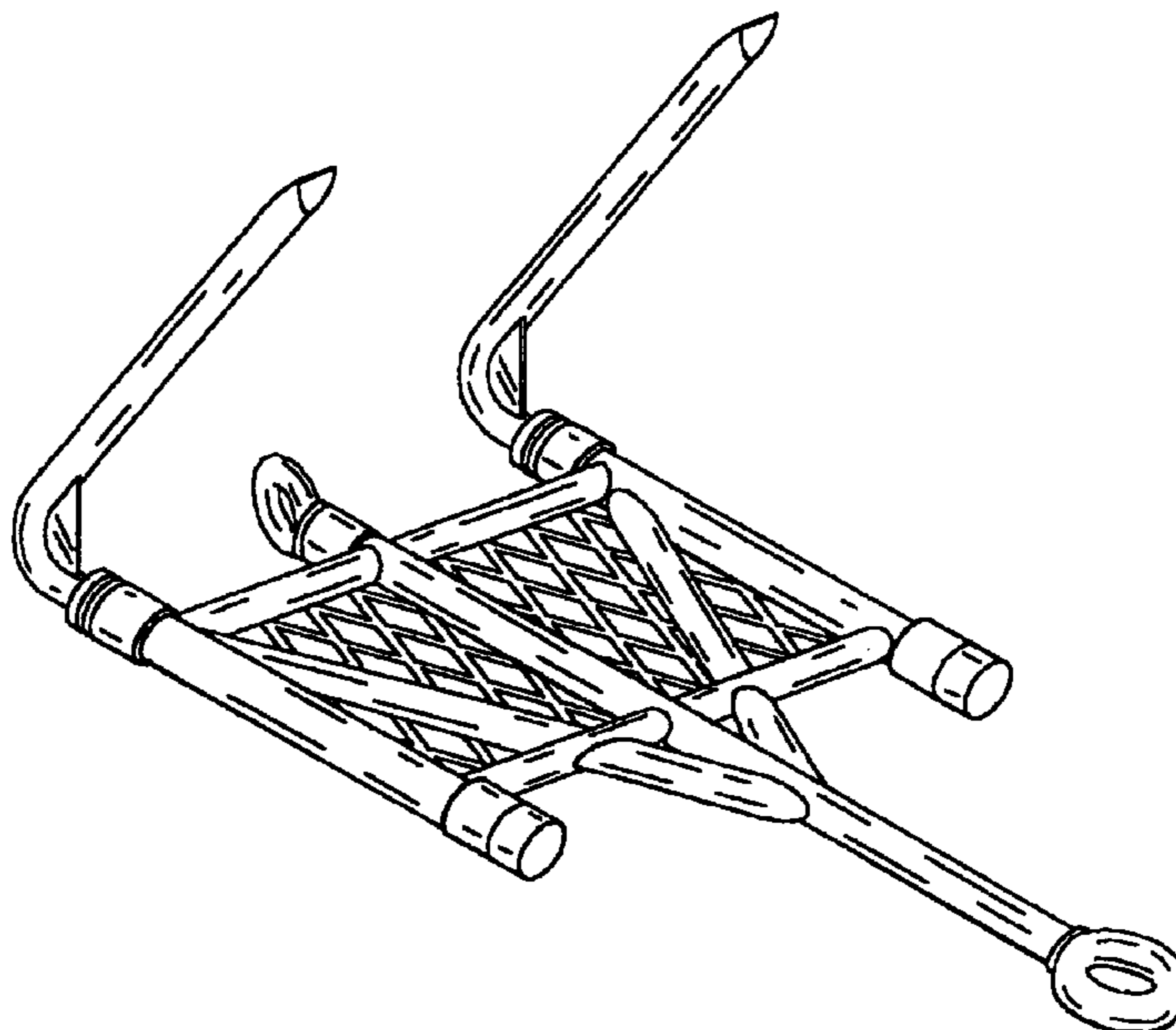
(56) **References Cited**

U.S. PATENT DOCUMENTS

42,346	A	*	4/1864	Chamberlin	114/301
1,325,693	A	*	12/1919	Dean	114/303
1,815,673	A	*	7/1931	Kelley	211/119
3,070,068	A	*	12/1962	Chapman	119/786
3,890,915	A	*	6/1975	Herreshoff et al.	114/302
4,151,664	A	*	5/1979	Maura	37/404
4,732,105	A	*	3/1988	Fisher	114/301
D343,607	S	*	1/1994	Martin	D12/215
D356,841	S	*	3/1995	Temple	D21/705
5,529,023	A	*	6/1996	Boardman	114/303
5,813,822	A	*	9/1998	Pisco	414/723
5,836,634	A	*	11/1998	Finkelman	294/159
5,881,506	A	*	3/1999	Chapman et al.	52/166
D445,393	S	*	7/2001	Dallavalle	D12/215
6,601,891	B1	*	8/2003	Gregory, Jr.	294/88
D492,332	S	*	6/2004	Boyd	D15/140
6,789,687	B2	*	9/2004	Cramer	211/106.01

FIG. 1 is a top plan view of a “portable, ground-engaging anchor for the static end of a winch cable,” showing my new design in its working mode;
 FIG. 2 is a right-side elevational view thereof;
 FIG. 3 is a bottom plan view thereof;
 FIG. 4 is a left-side elevational view thereof;
 FIG. 5 is a front elevational plan view thereof;
 FIG. 6 is a rear elevational view thereof;
 FIG. 7 is a perspective view thereof;
 FIG. 8 is a front elevational view of the “portable, ground-engaging anchor for the static end of a winch cable,” showing my design in its folded (i.e., storage) mode;
 FIG. 9 is a right-side elevational view of my design as shown in FIG. 8;
 FIG. 10 is a rear elevational view of my design as shown in FIG. 8;
 FIG. 11 is a bottom plan view of my design as shown in FIG. 8; and,
 FIG. 12 is a left-side elevational view of my design as shown in FIG. 8.

1 Claim, 6 Drawing Sheets



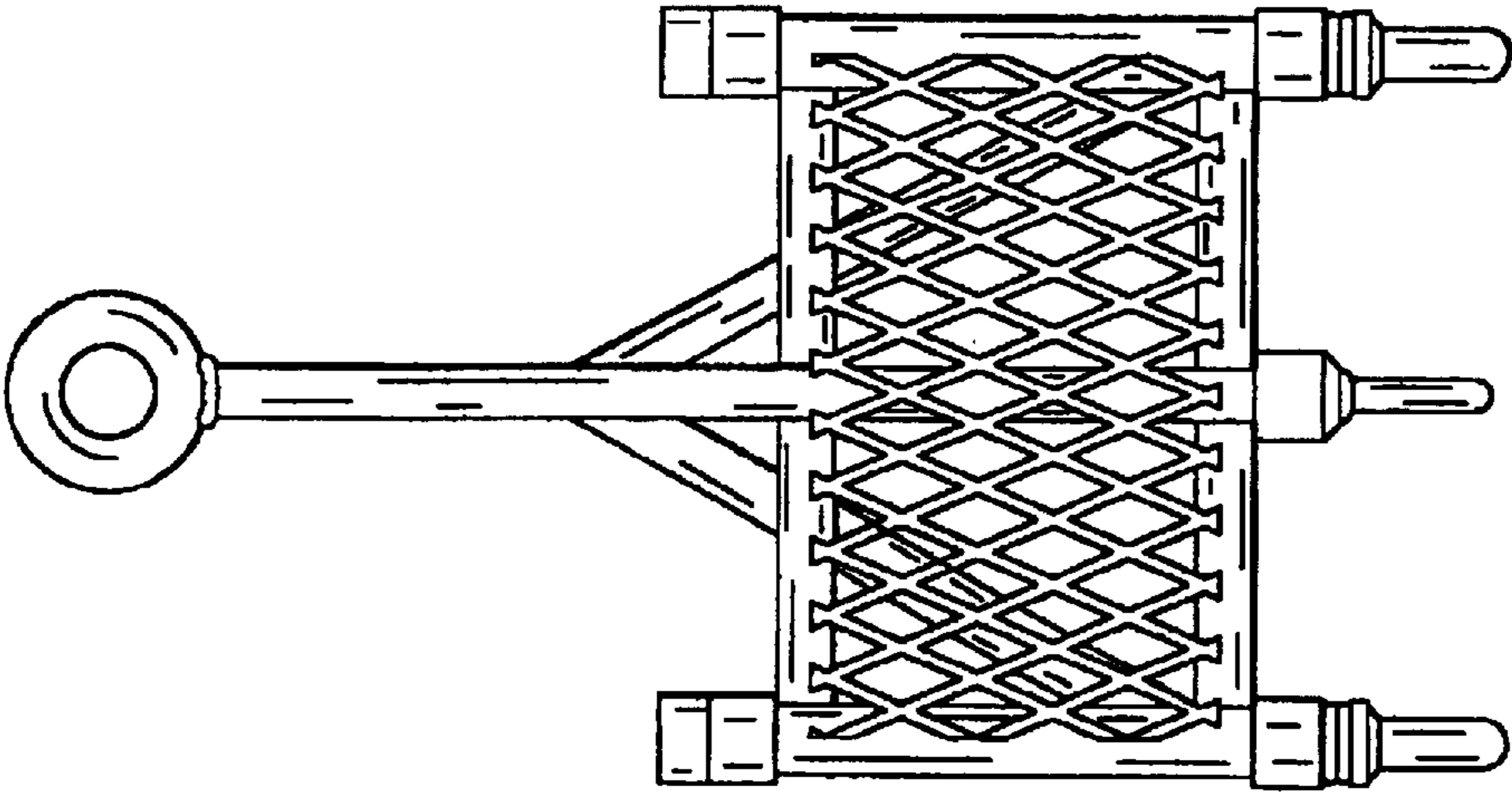


Fig. 1

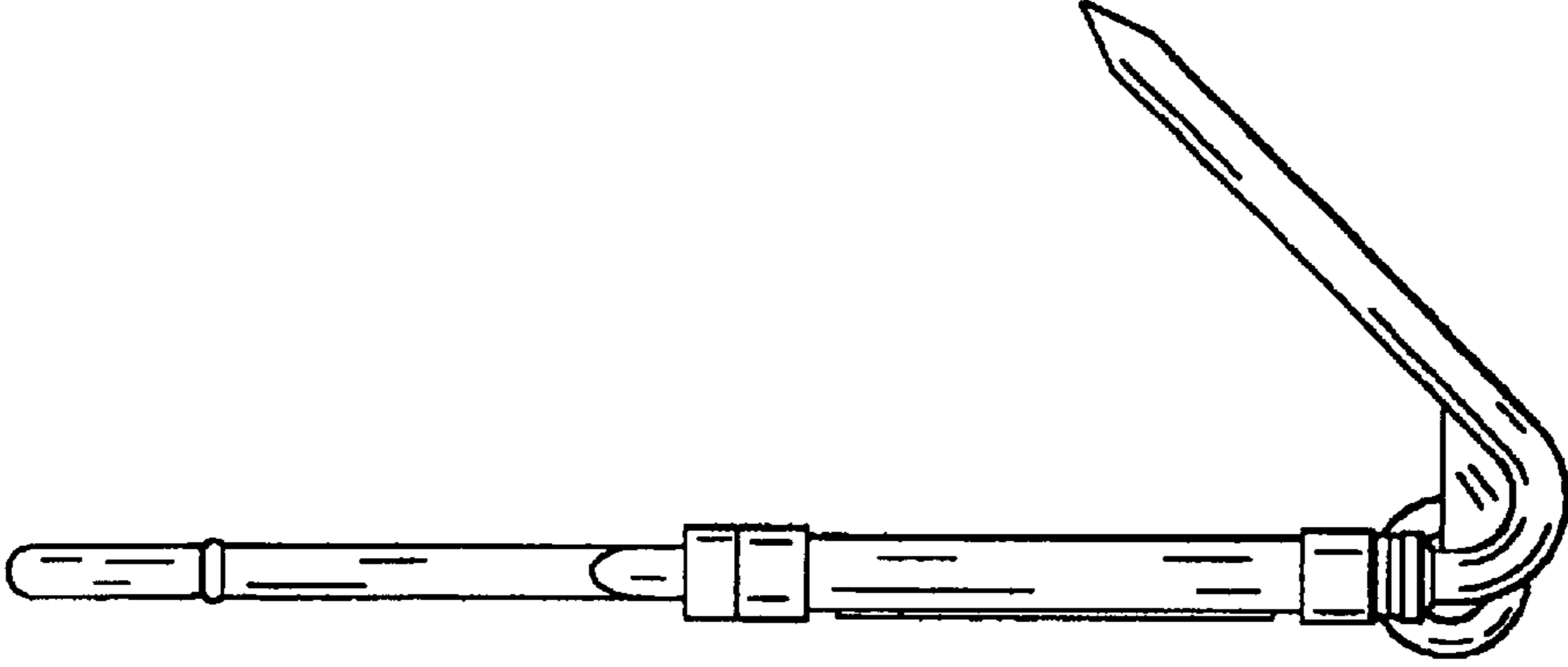


Fig. 2

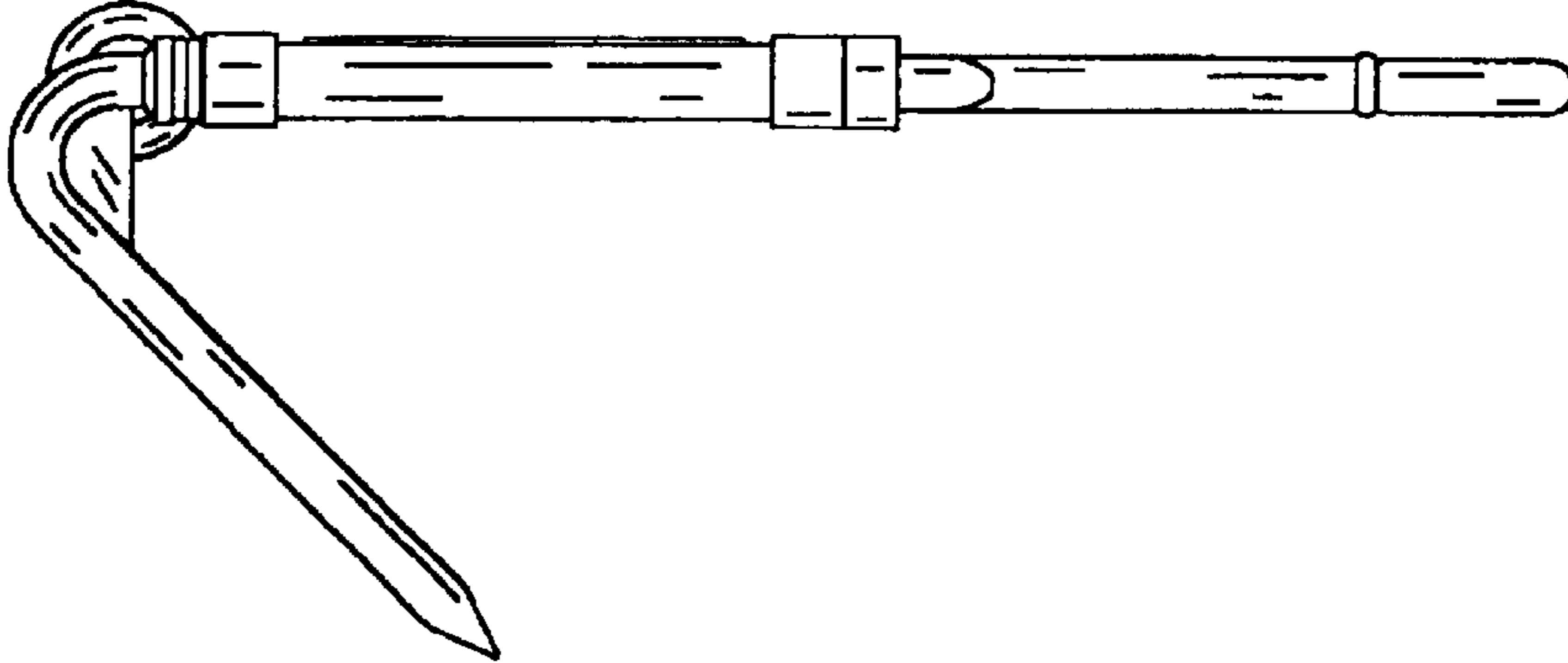


Fig. 4

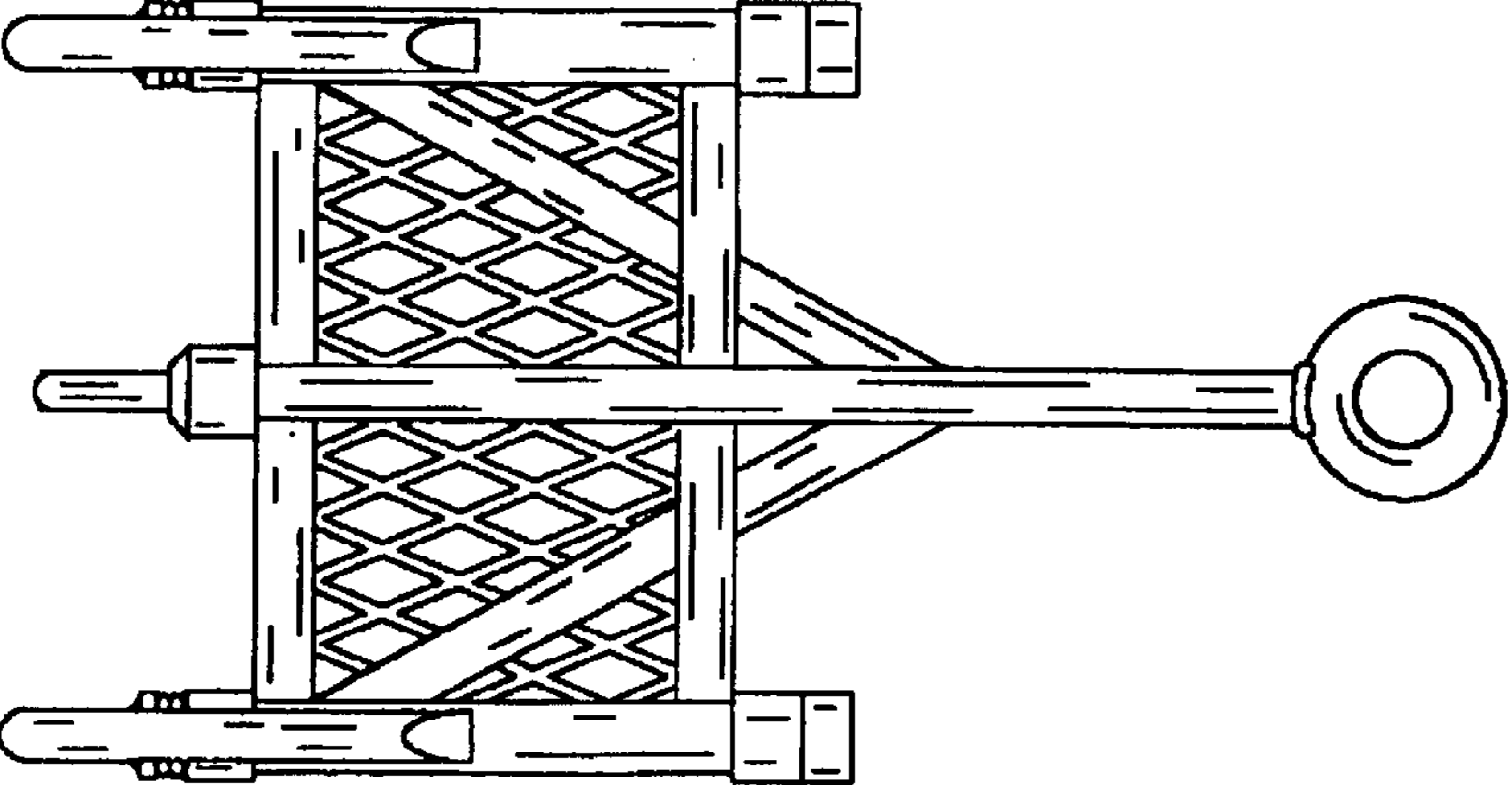


Fig. 3

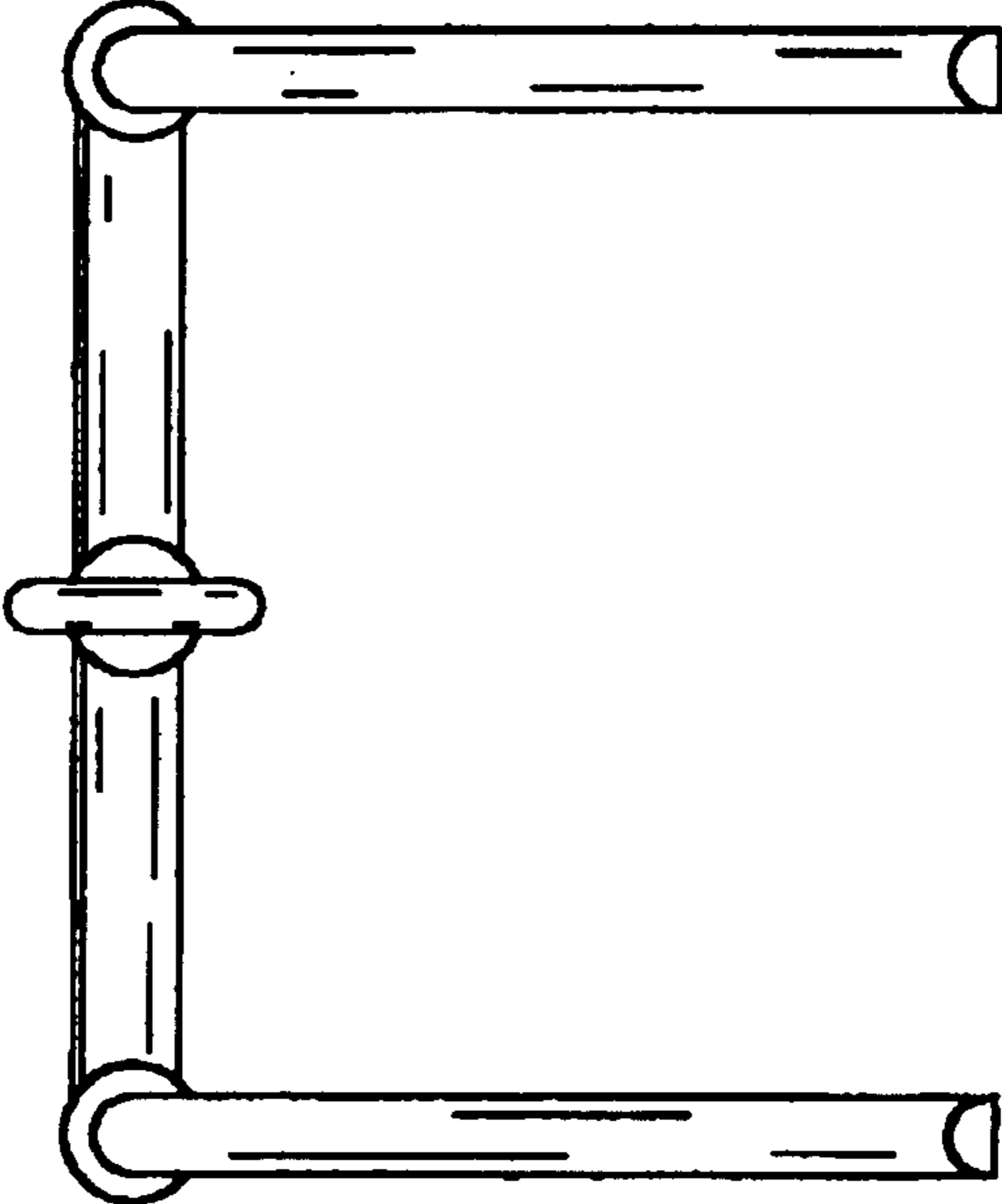


Fig. 6

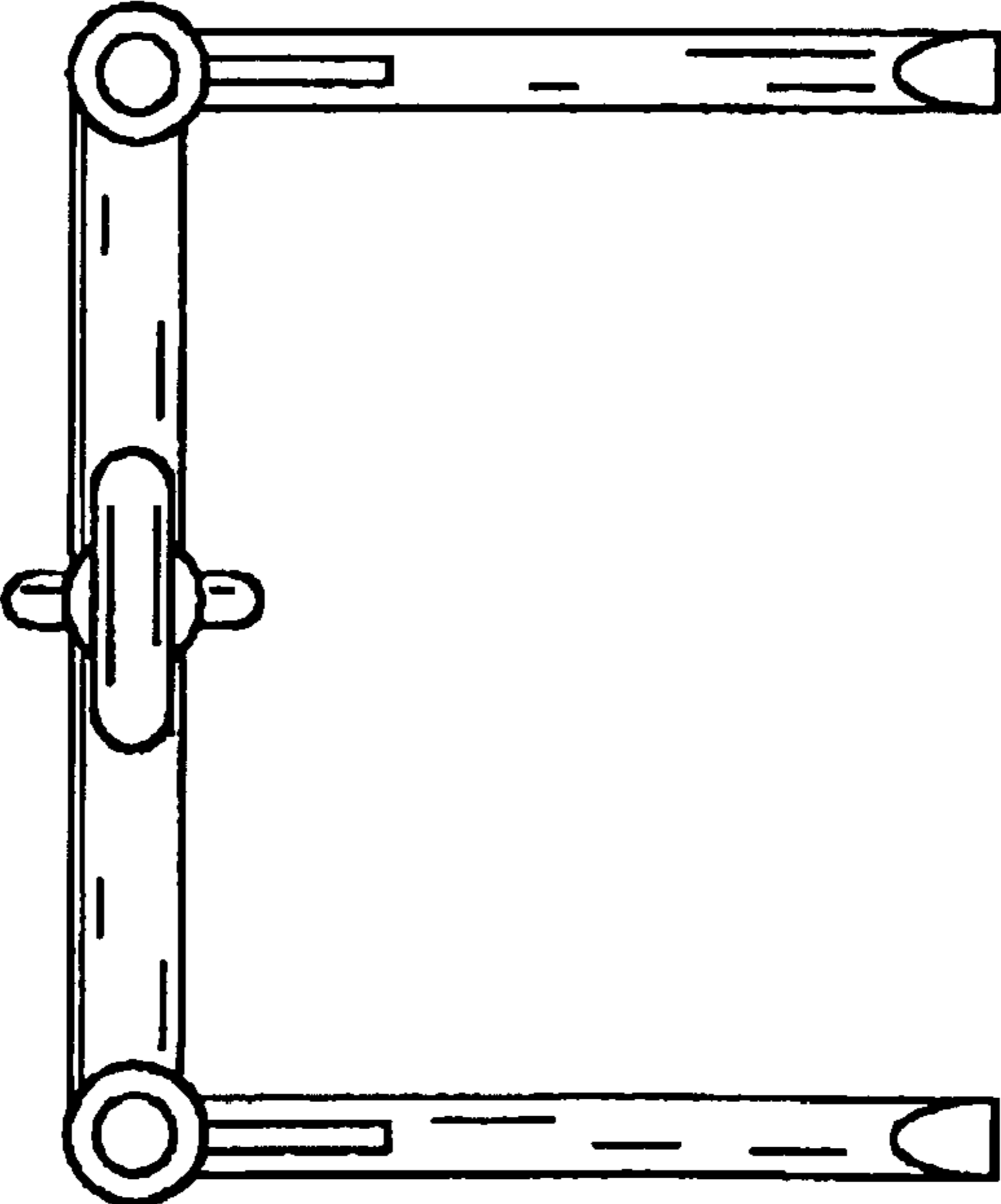


Fig. 5

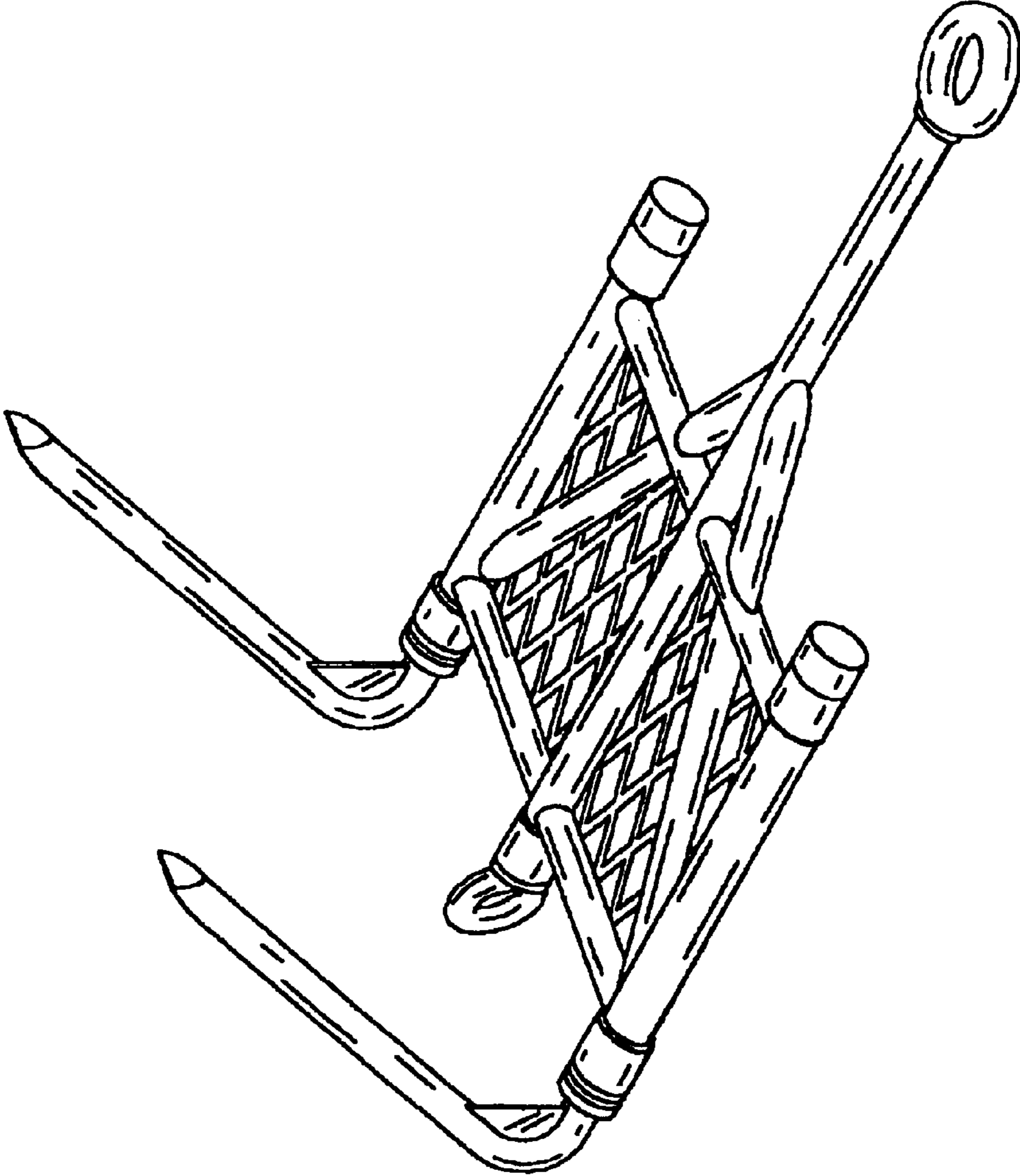


Fig. 7

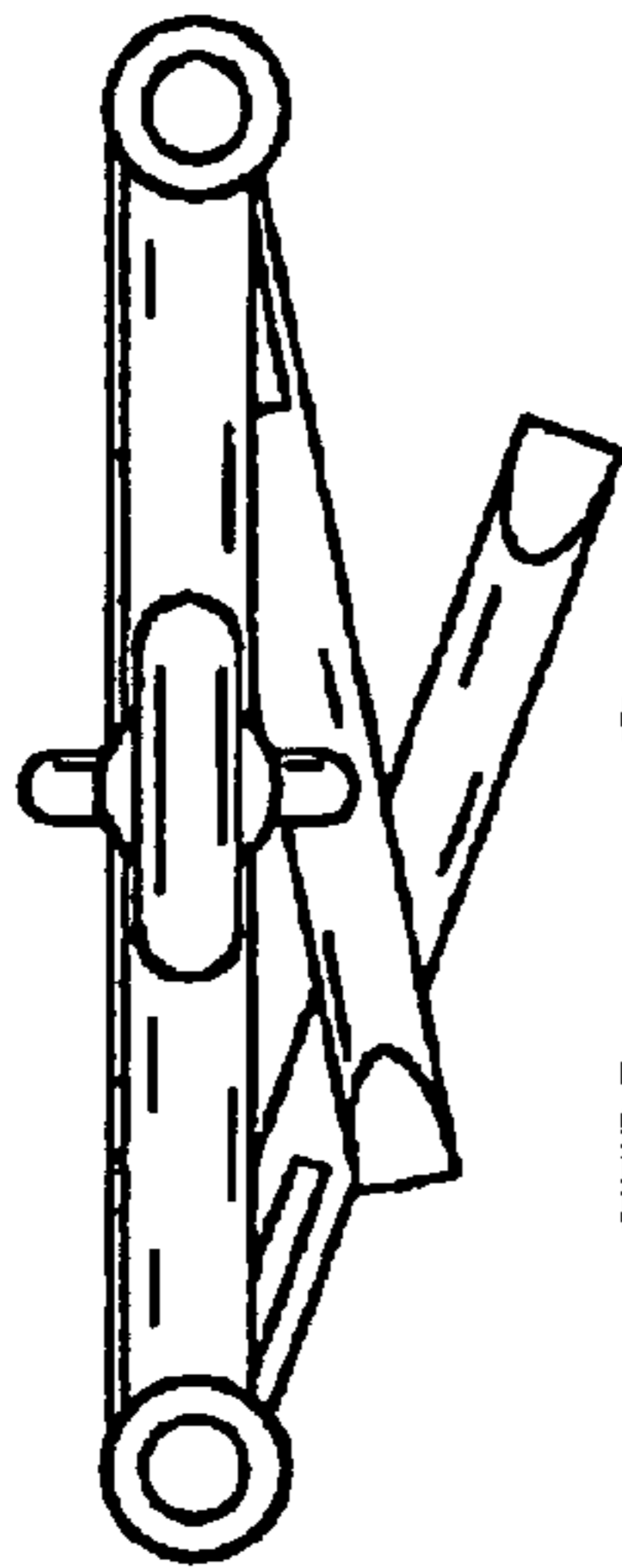


Fig. 8

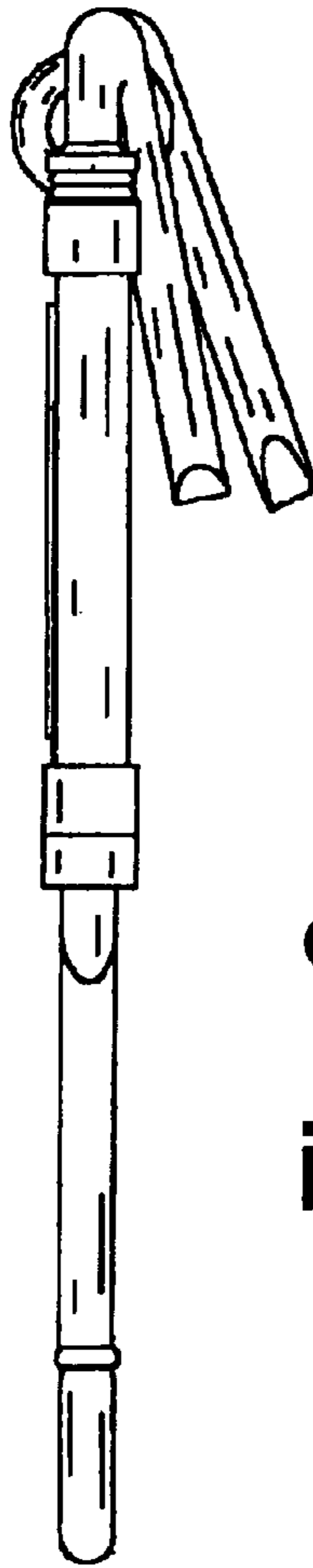


Fig. 9

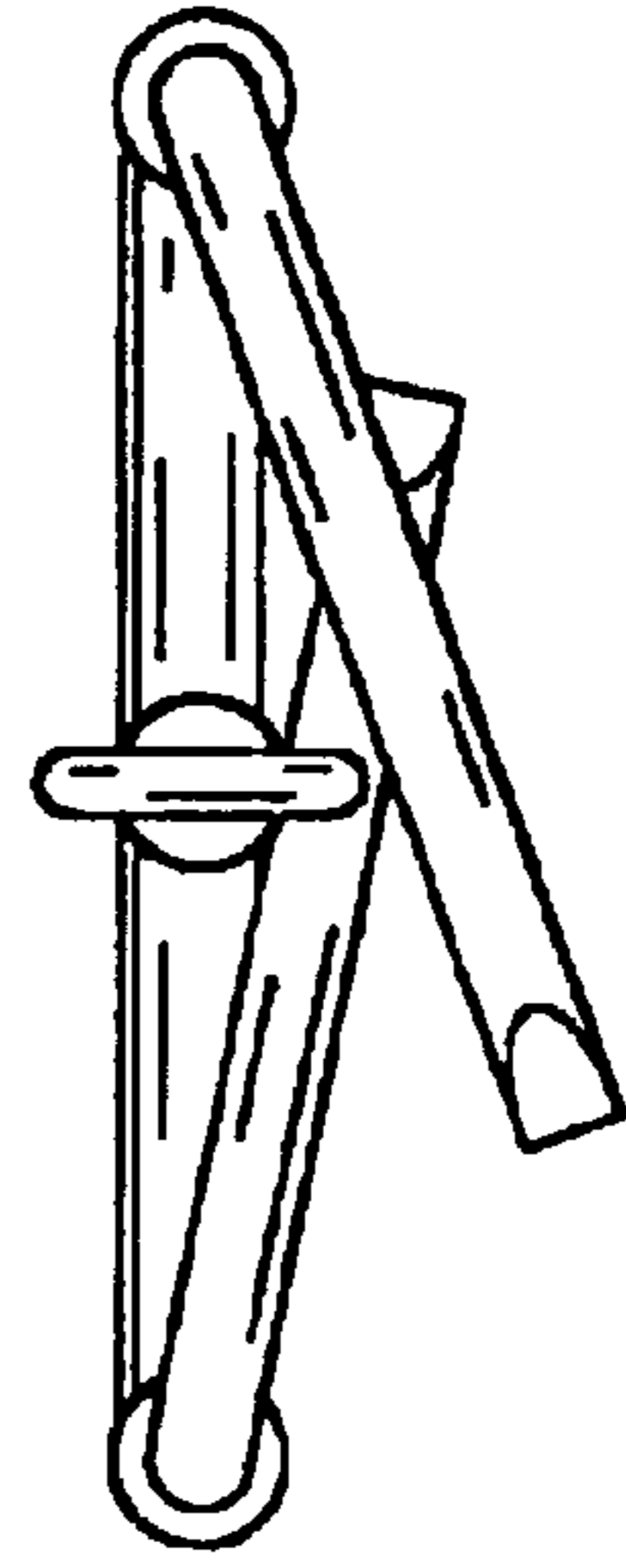


Fig. 10

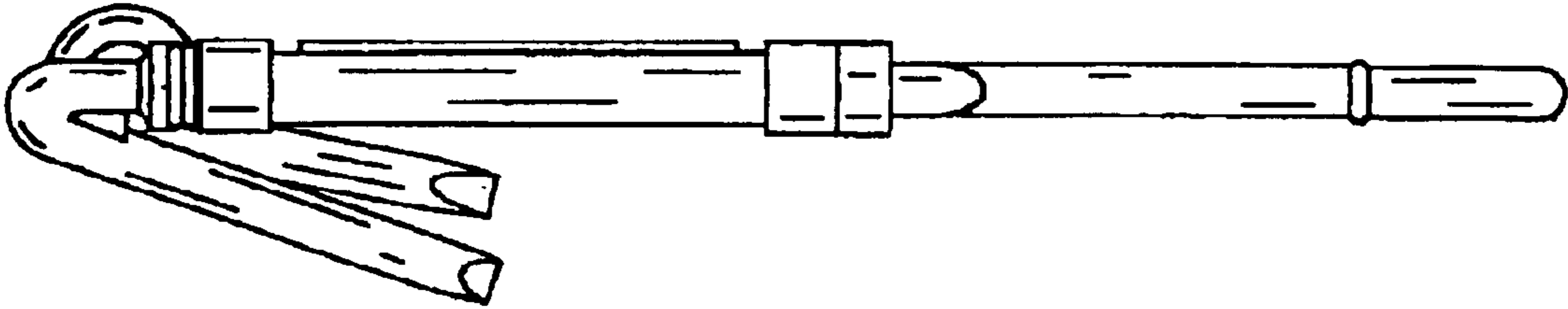


Fig. 12

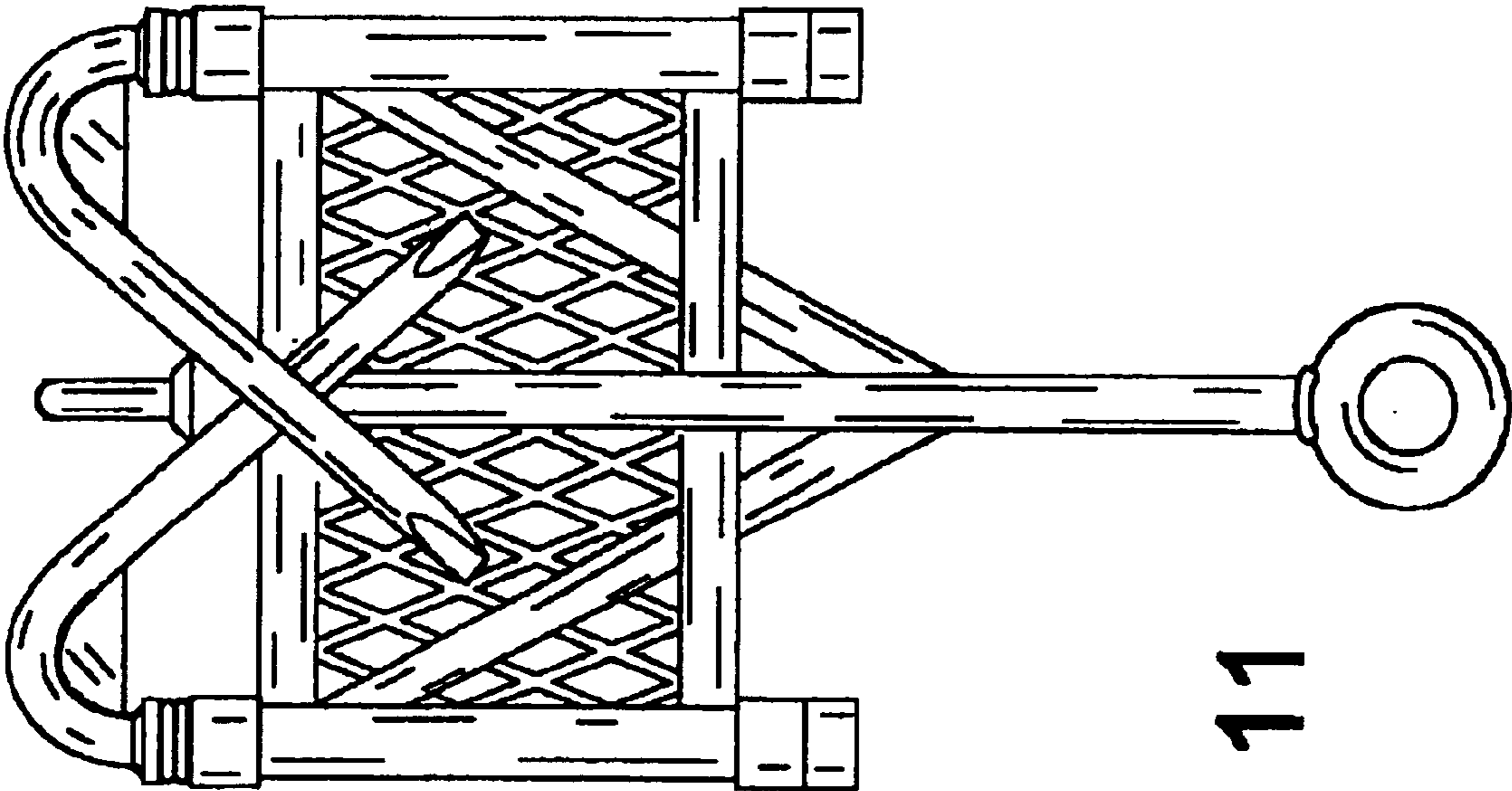


Fig. 11