

US00D508007S

(12) **United States Design Patent**  
**Koch**

(10) **Patent No.: US D508,007 S**

(45) **Date of Patent: \*\* \*Aug. 2, 2005**

(54) **TIRE RIM**

(75) **Inventor: Adolf Koch, Waiblingen-Neustadt (DE)**

(73) **Assignee: Sport-Service-Lorinser Sportliche  
Autoausrüstung, Winnenden (DE)**

(\*) **Notice:** This patent is subject to a terminal disclaimer.

(\*\*) **Term: 14 Years**

(21) **Appl. No.: 29/196,239**

(22) **Filed: Dec. 24, 2003**

(30) **Foreign Application Priority Data**

Jul. 4, 2003 (DE) ..... 4 03 04 663

(51) **LOC (8) Cl. .... 12-16**

(52) **U.S. Cl. .... D12/211**

(58) **Field of Search ..... D12/204-213;  
301/37.101, 64.101, 65**

(56) **References Cited**

**U.S. PATENT DOCUMENTS**

D415,991 S \* 11/1999 Wang ..... D12/211

D433,985 S	*	11/2000	Pfeiffer	.....	D12/209
D436,911 S	*	1/2001	Chung	.....	D12/211
D442,536 S	*	5/2001	Chung	.....	D12/211
D450,288 S	*	11/2001	Lee	.....	D12/209
D457,118 S	*	5/2002	Bhambra	.....	D12/211
D461,440 S		8/2002	Koch	.....	D12/211
D464,009 S	*	10/2002	Laengerer	.....	D12/211
D471,852 S	*	3/2003	Pfeiffer et al.	.....	D12/211
D473,506 S	*	4/2003	Laengerer	.....	D12/211
D475,006 S	*	5/2003	Yoshida	.....	D12/209
D477,556 S	*	7/2003	Koch	.....	D12/211
D488,761 S	*	4/2004	Kuninari et al.	.....	D12/209
D494,525 S	*	8/2004	Borkert	.....	D12/211

\* cited by examiner

*Primary Examiner*—Stacia Cadmus

(74) *Attorney, Agent, or Firm*—Nath & Associates PLLC;  
Gary M. Nath; Gregory B. Kang

(57) **CLAIM**

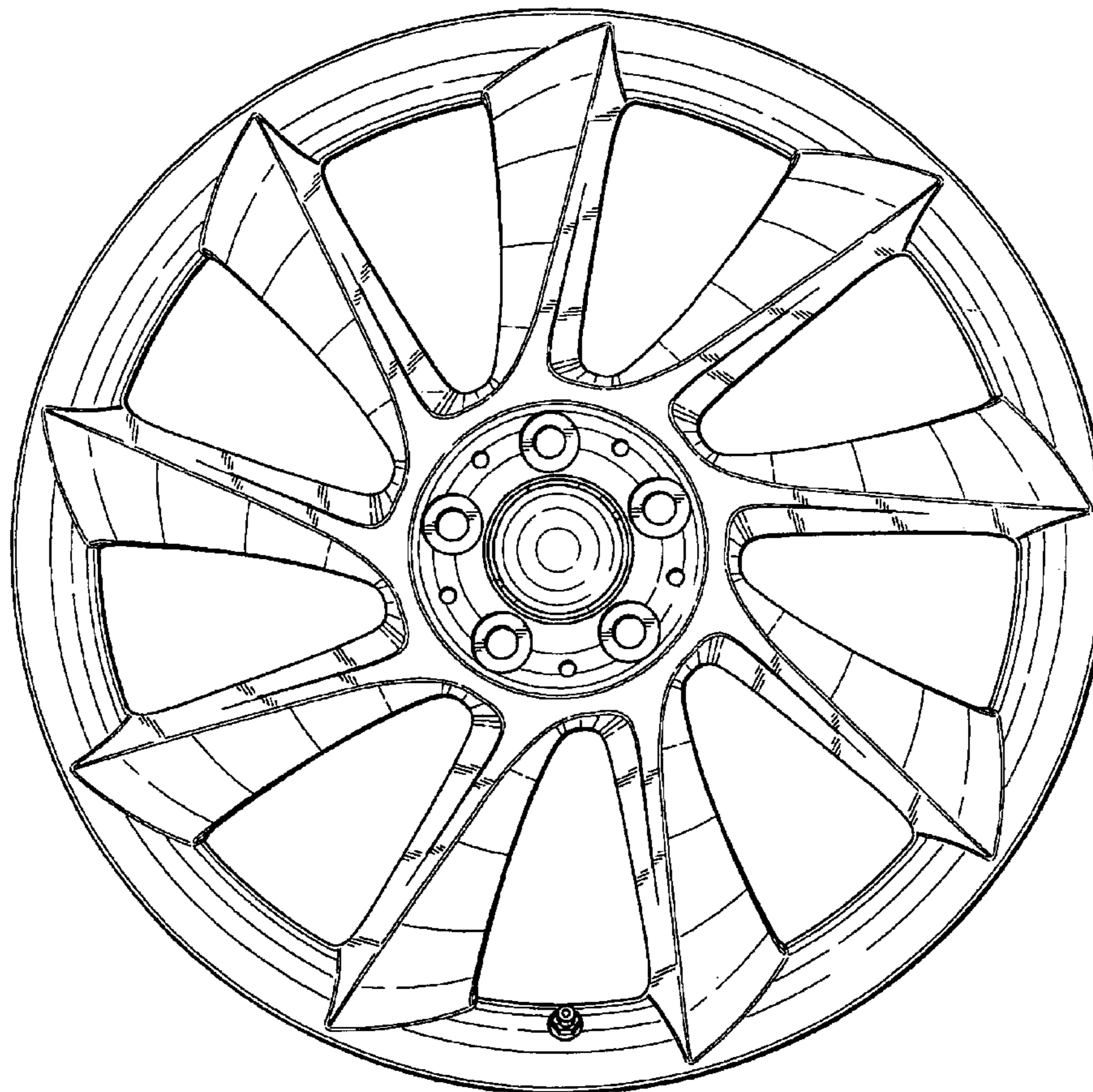
The ornamental desin for a tire rim, as shown and described.

**DESCRIPTION**

FIG. 1: is a side perspective view of the tire rim showing my new design; and,

FIG. 2: is a front elevation view thereof.

**1 Claim, 2 Drawing Sheets**



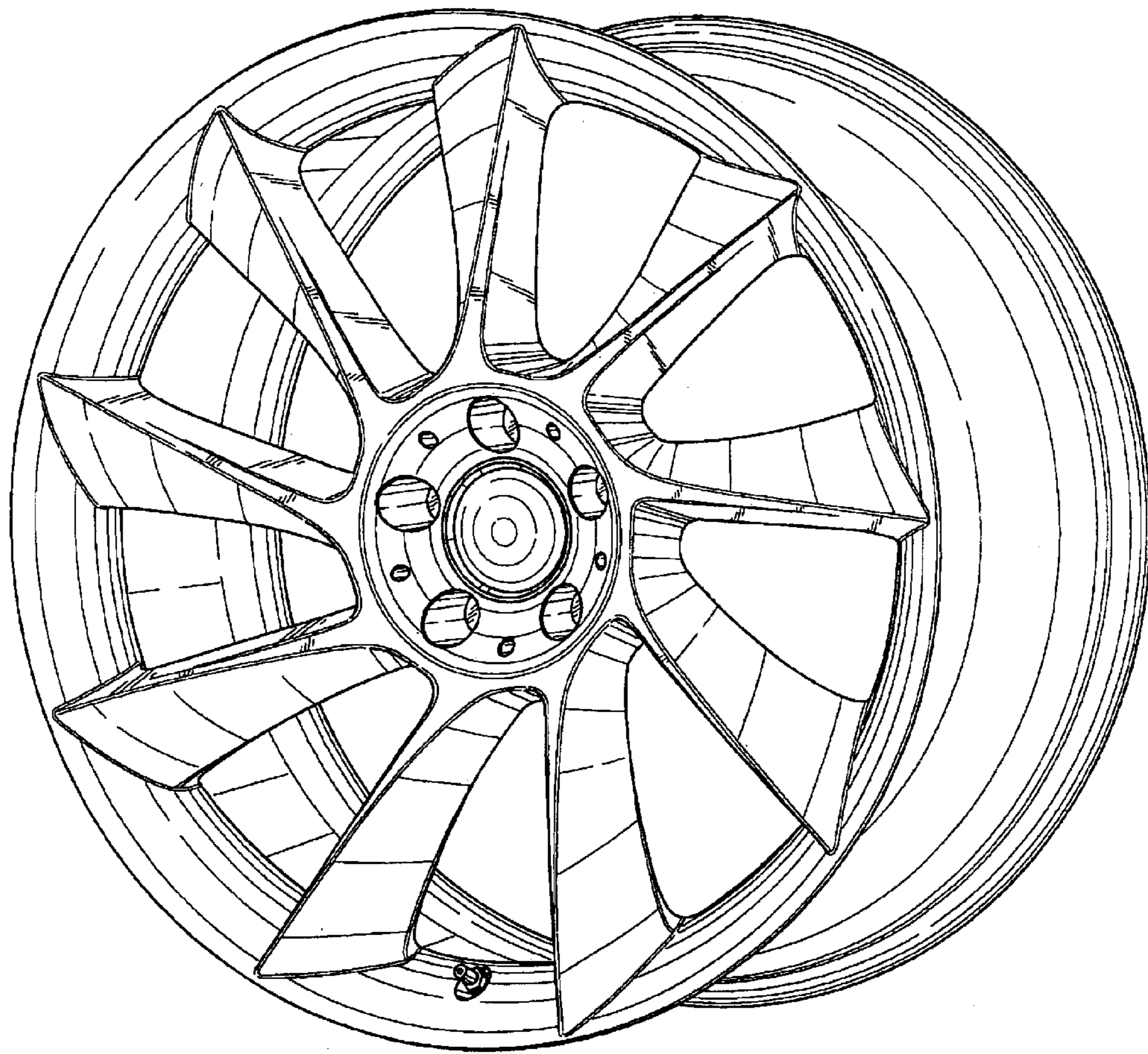


FIG. 1

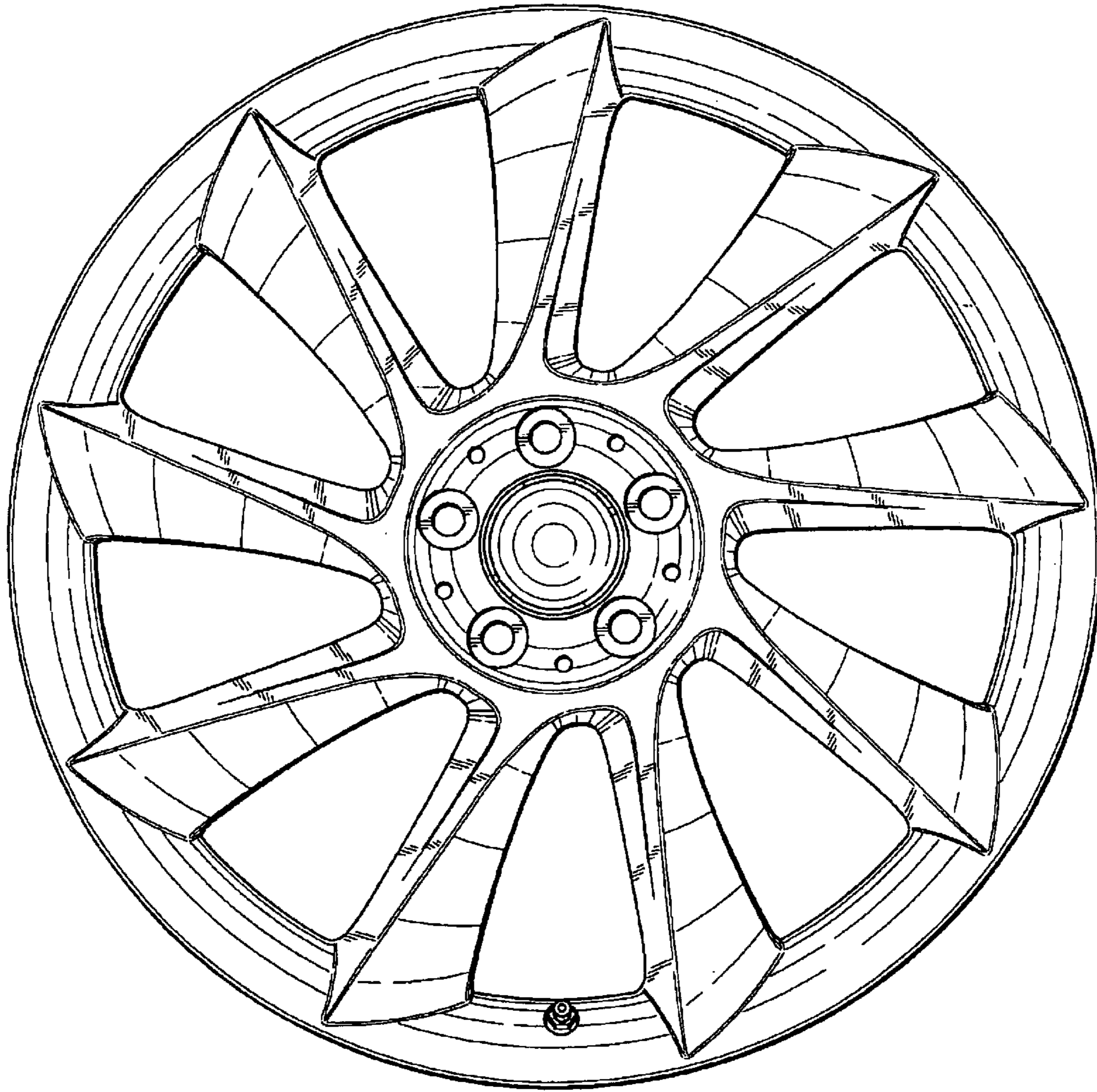


FIG. 2

UNITED STATES PATENT AND TRADEMARK OFFICE  
**CERTIFICATE OF CORRECTION**

PATENT NO. : Des. 508,007 S  
DATED : August 2, 2005  
INVENTOR(S) : Koch

Page 1 of 1

It is certified that error appears in the above-identified patent and that said Letters Patent is hereby corrected as shown below:

Title page,

Item [57], **CLAIM,**

Line 1, please delete "desin" and replace with -- design --.

Signed and Sealed this

Eleventh Day of October, 2005

A handwritten signature in black ink on a light gray dotted background. The signature reads "Jon W. Dudas" in a cursive style.

JON W. DUDAS

*Director of the United States Patent and Trademark Office*