

US00D508006S

(12) **United States Design Patent**
Laengerer

(10) **Patent No.:** **US D508,006 S**
(45) **Date of Patent:** **** Aug. 2, 2005**

(54) **FRONT FACE OF A VEHICLE WHEEL**

(75) **Inventor:** **Marcus Laengerer, Renningen (DE)**

(73) **Assignee:** **DaimlerChrysler AG, Stuttgart (DE)**

(**) **Term:** **14 Years**

(21) **Appl. No.:** **29/194,027**

(22) **Filed:** **Nov. 19, 2003**

(30) **Foreign Application Priority Data**

Jul. 16, 2003 (DE) 403 04 764

(51) **LOC (8) Cl.** **12-16**

(52) **U.S. Cl.** **D12/209**

(58) **Field of Search** D12/204-213;
301/37.101, 64.101, 65

(56) **References Cited**

U.S. PATENT DOCUMENTS

- D208,542 S * 9/1967 Halibrand D12/211
- D446,493 S * 8/2001 Sulahian et al. D12/211
- D459,691 S * 7/2002 Takechi D12/211
- D466,466 S * 12/2002 Laengerer D12/211
- D471,852 S * 3/2003 Pfeiffer et al. D12/211
- D475,961 S * 6/2003 Pfeiffer et al. D12/211

- D479,177 S * 9/2003 Nordmann D12/211
- D481,344 S * 10/2003 Mattin et al. D12/211
- D486,115 S * 2/2004 Chung D12/211
- D488,763 S * 4/2004 Takechi D12/211

* cited by examiner

Primary Examiner—Stacia Cadmus

(74) *Attorney, Agent, or Firm*—Crowell & Moring LLP

(57) **CLAIM**

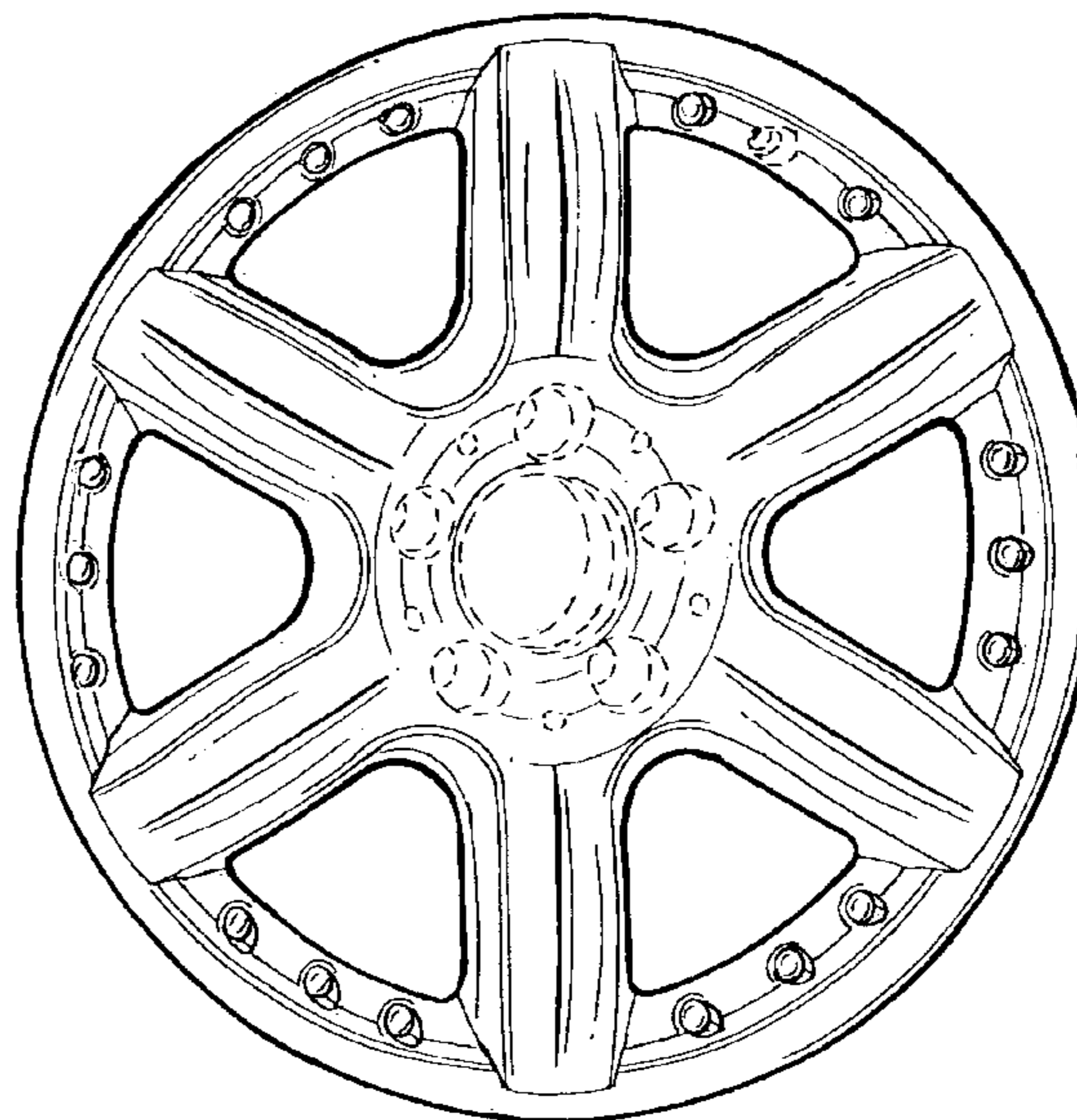
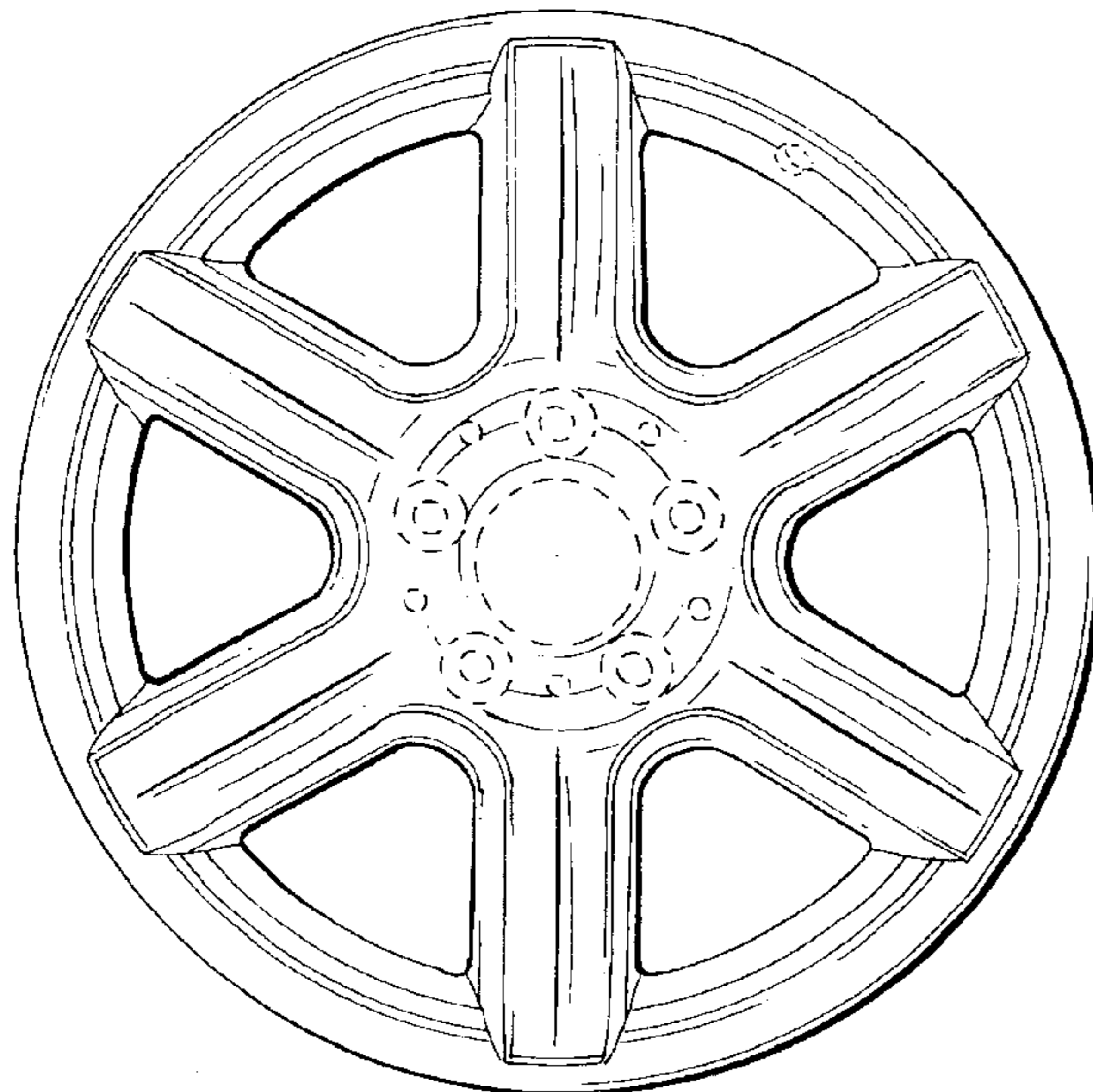
The ornamental design for a front face of a vehicle wheel, as shown and described.

DESCRIPTION

FIG. 1 is a front view of a first embodiment of a front face of a vehicle wheel according to my novel design; FIG. 2 is a perspective view of the first embodiment of the front face of a vehicle wheel according to my novel design; FIG. 3 is a front view of a second embodiment of the front face of a vehicle wheel according to my novel design; and, FIG. 4 is a perspective view of the second embodiment of the front face of a vehicle wheel according to my novel design.

The broken lines are for illustrative purposes only and form no part of the claimed design.

1 Claim, 2 Drawing Sheets



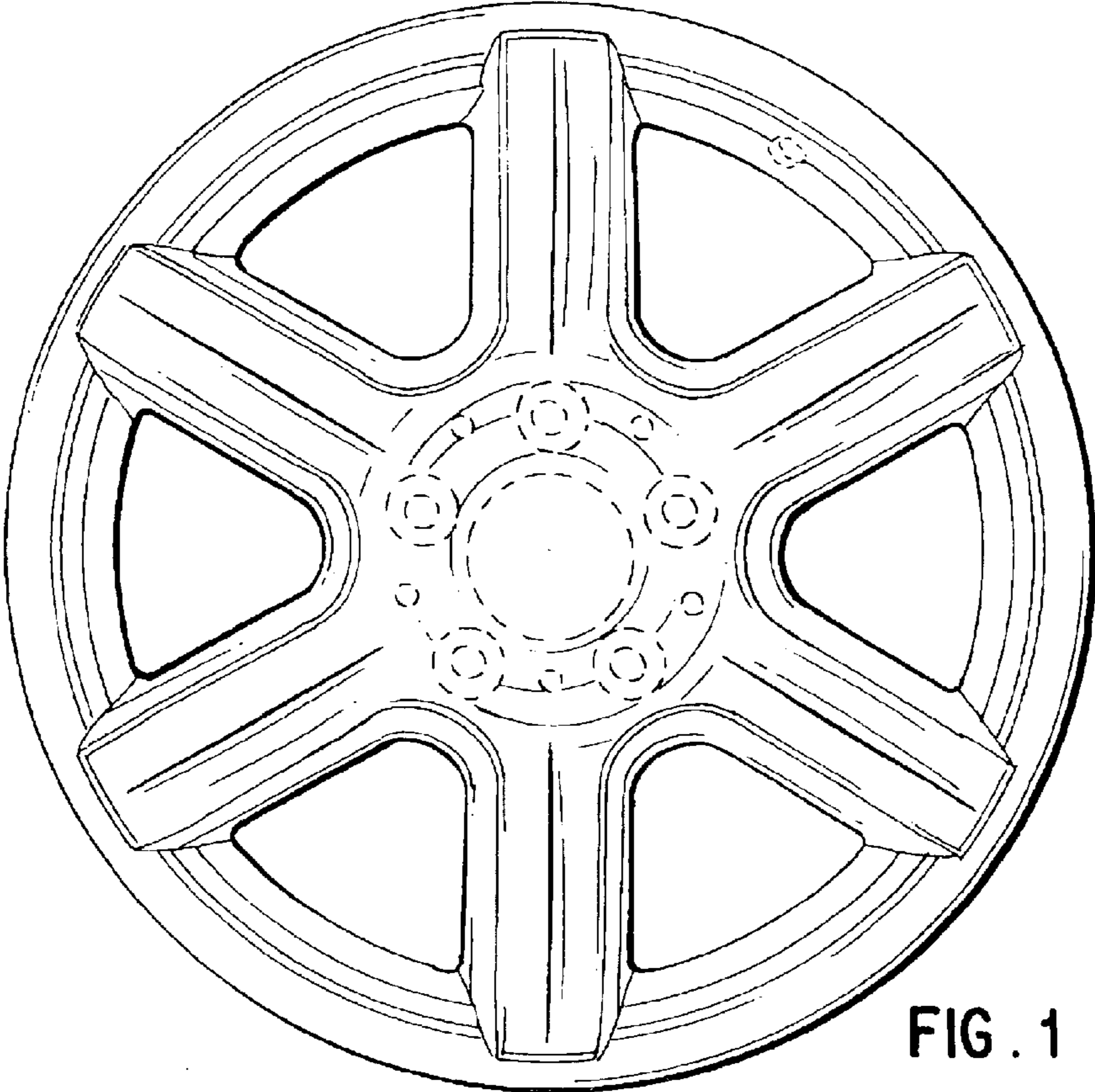


FIG. 1

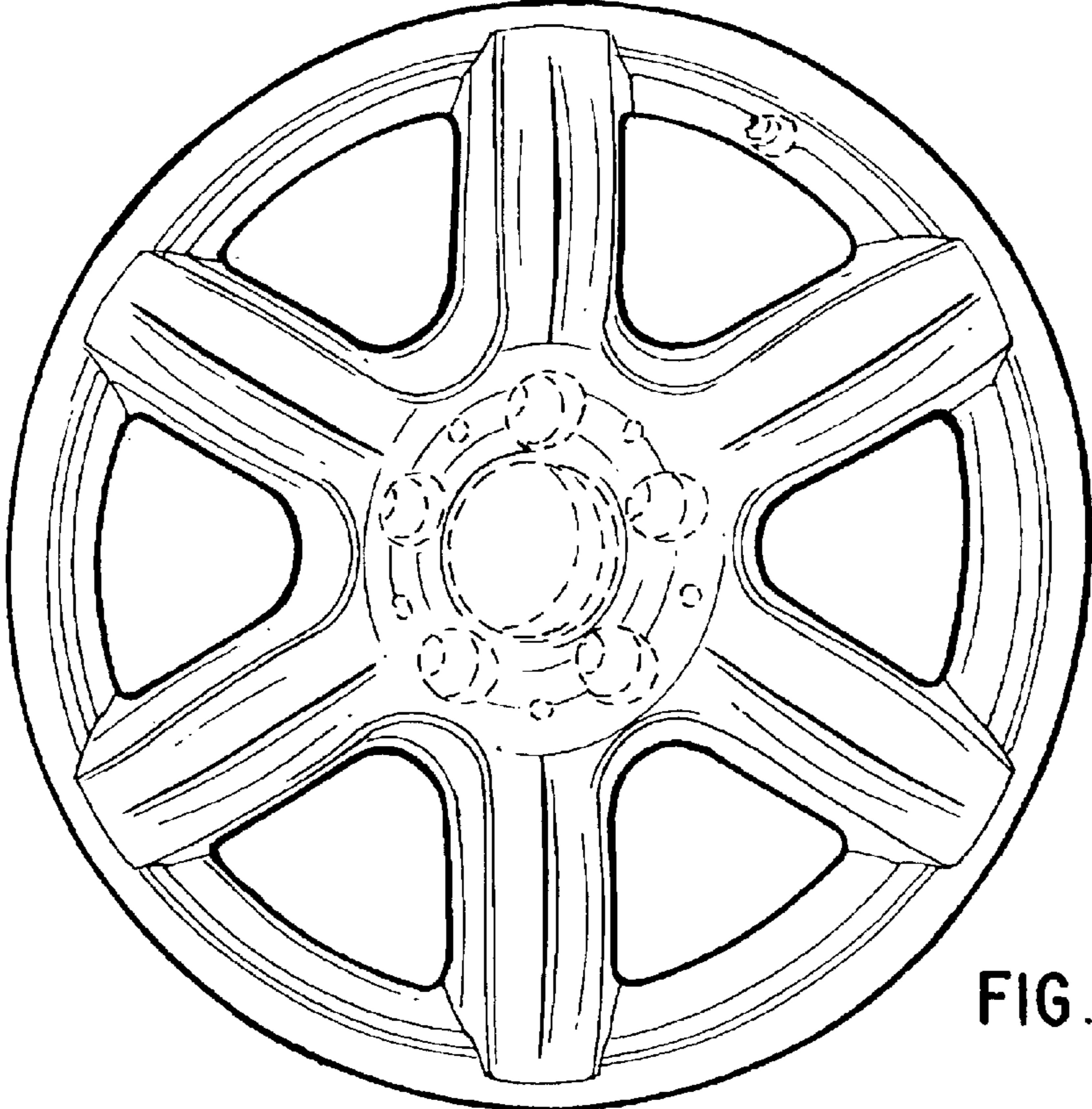


FIG. 2

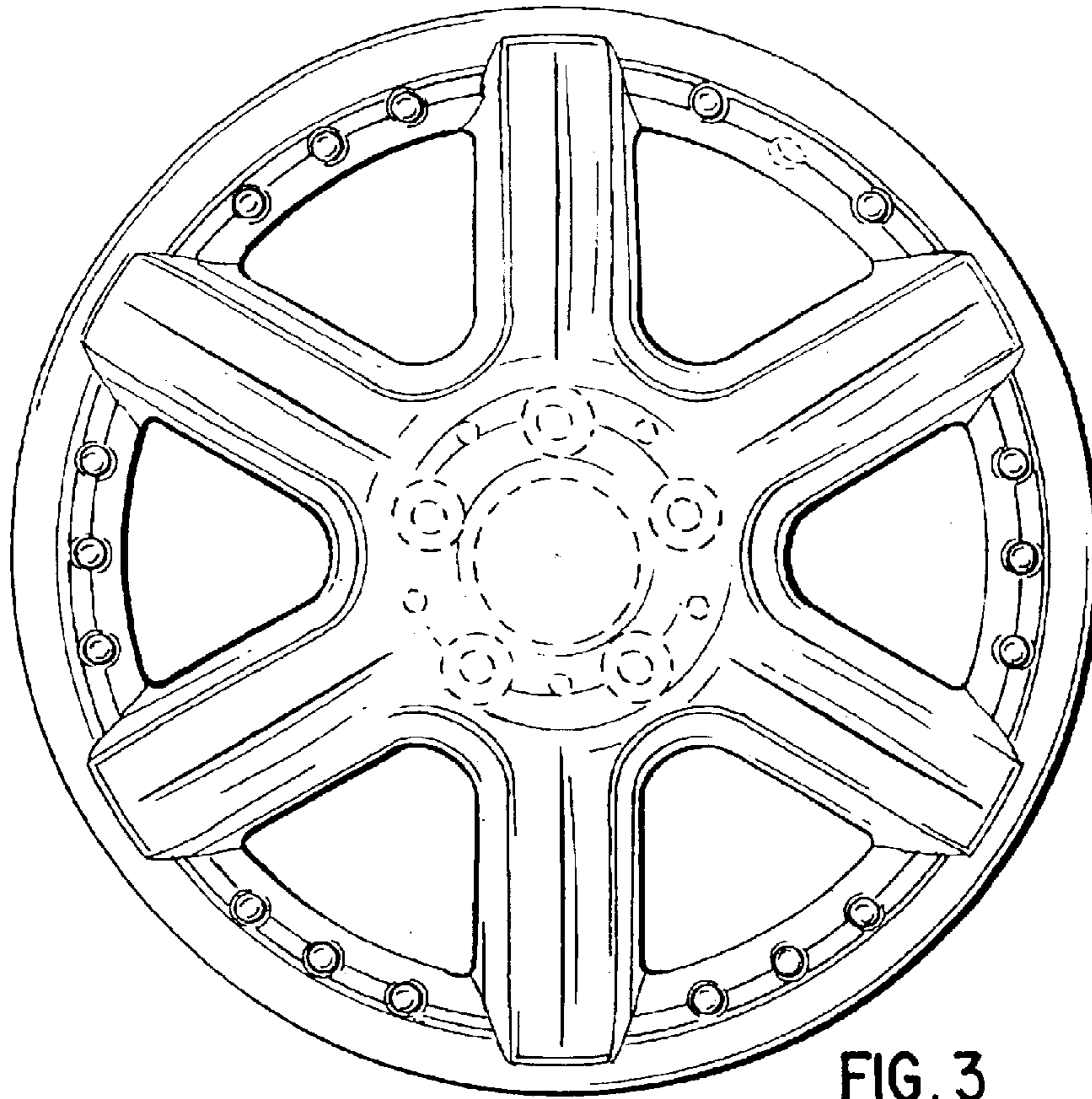


FIG. 3

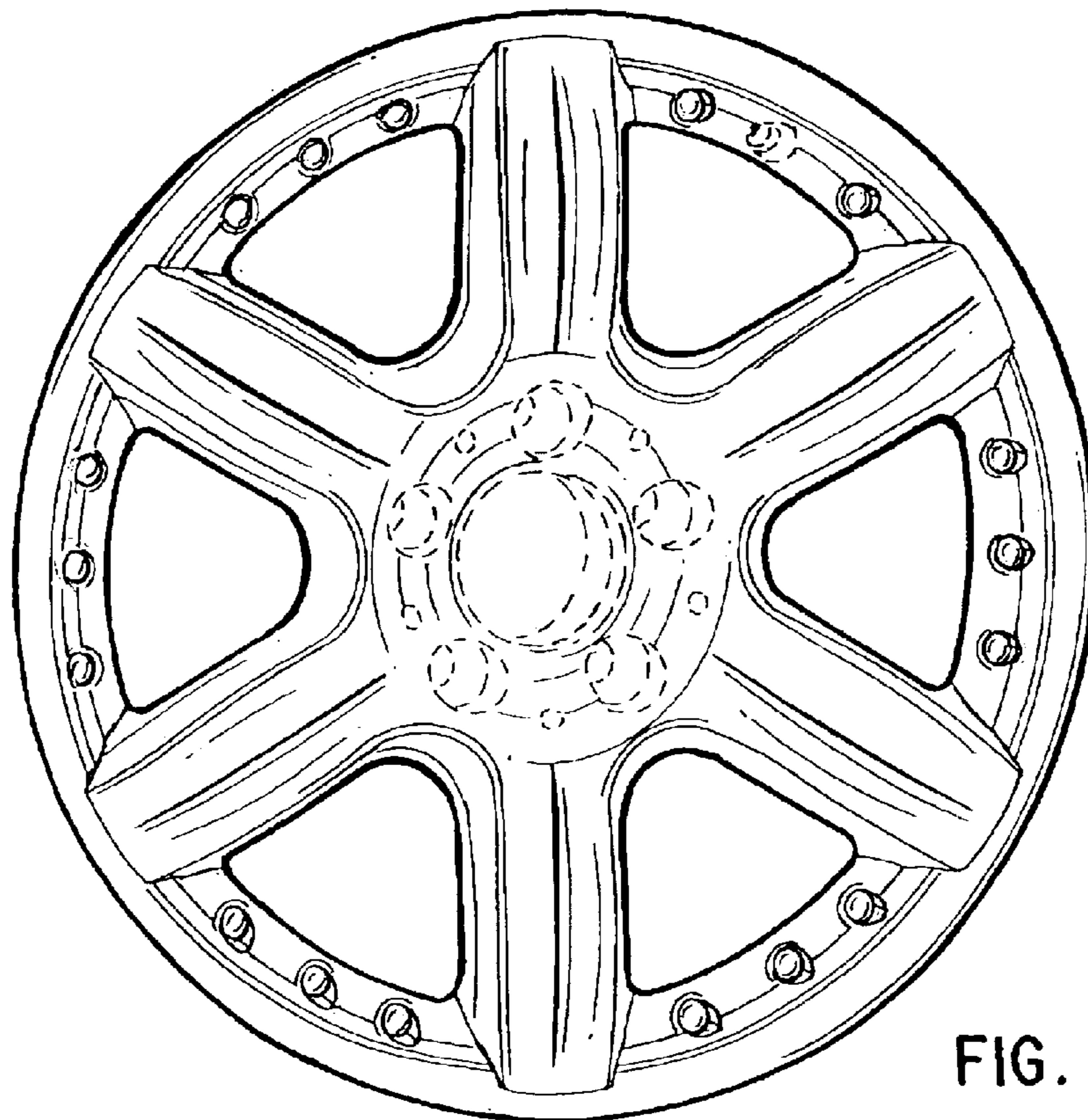


FIG. 4