

US00D508001S

(12) **United States Design Patent**
Matsumoto

(10) **Patent No.: US D508,001 S**
(45) **Date of Patent: ** Aug. 2, 2005**

(54) **CALIPER BODY OF DISK BRAKE FOR VEHICLE**

6,247,561 B1 * 6/2001 Doi et al. 188/73.39
D458,199 S * 6/2002 Demoise et al. D12/180
D491,500 S * 6/2004 Fujiwara et al. D12/180

(75) Inventor: **Yutaka Matsumoto, Ueda (JP)**

FOREIGN PATENT DOCUMENTS

(73) Assignee: **Nissin Kogyo Co., Ltd., Nagano-Ken (JP)**

JP 98 50 15 7/1997

(**) Term: **14 Years**

* cited by examiner

(21) Appl. No.: **29/202,320**

Primary Examiner—Melody N. Brown
(74) *Attorney, Agent, or Firm*—Sughrue Mion, PLLC

(22) Filed: **Mar. 30, 2004**

(57) **CLAIM**

(30) **Foreign Application Priority Data**

The ornamental design for a caliper body of disk brake for vehicle, as shown and described.

Sep. 30, 2003 (JP) 2003-028663

DESCRIPTION

(51) **LOC (8) Cl.** **12-16**

(52) **U.S. Cl.** **D12/180**

(58) **Field of Search** D12/180; 188/73.3,
188/73.31–73.39, 73.43, 73.45, 218 XL,
1.11 W; 192/70.17, 70.2

FIG. 1 is a perspective view of the top, front and left side of a caliper body of disk brake for vehicle showing my new design;

FIG. 2 is a front elevational view thereof;

FIG. 3 is a rear elevational view thereof;

FIG. 4 is a top plan view thereof;

FIG. 5 is a bottom plan view thereof;

FIG. 6 is a right side elevational view thereof;

FIG. 7 is a left side elevational view thereof;

FIG. 8 is a sectional view taken along the line 8—8 in FIG. 2; and,

FIG. 9 is a sectional view taken along the line 9—9 in FIG. 6.

(56) **References Cited**

U.S. PATENT DOCUMENTS

D351,365 S * 10/1994 Powers D12/180
D354,469 S * 1/1995 Powers D12/180
5,499,696 A * 3/1996 Kobayashi et al. 188/1.11 W
D373,340 S * 9/1996 Sands D12/180
D378,363 S * 3/1997 Sin D12/180
D413,292 S * 8/1999 Jones D12/180
D417,178 S * 11/1999 Gallagher D12/180
D426,180 S * 6/2000 Pink et al. D12/180

1 Claim, 5 Drawing Sheets

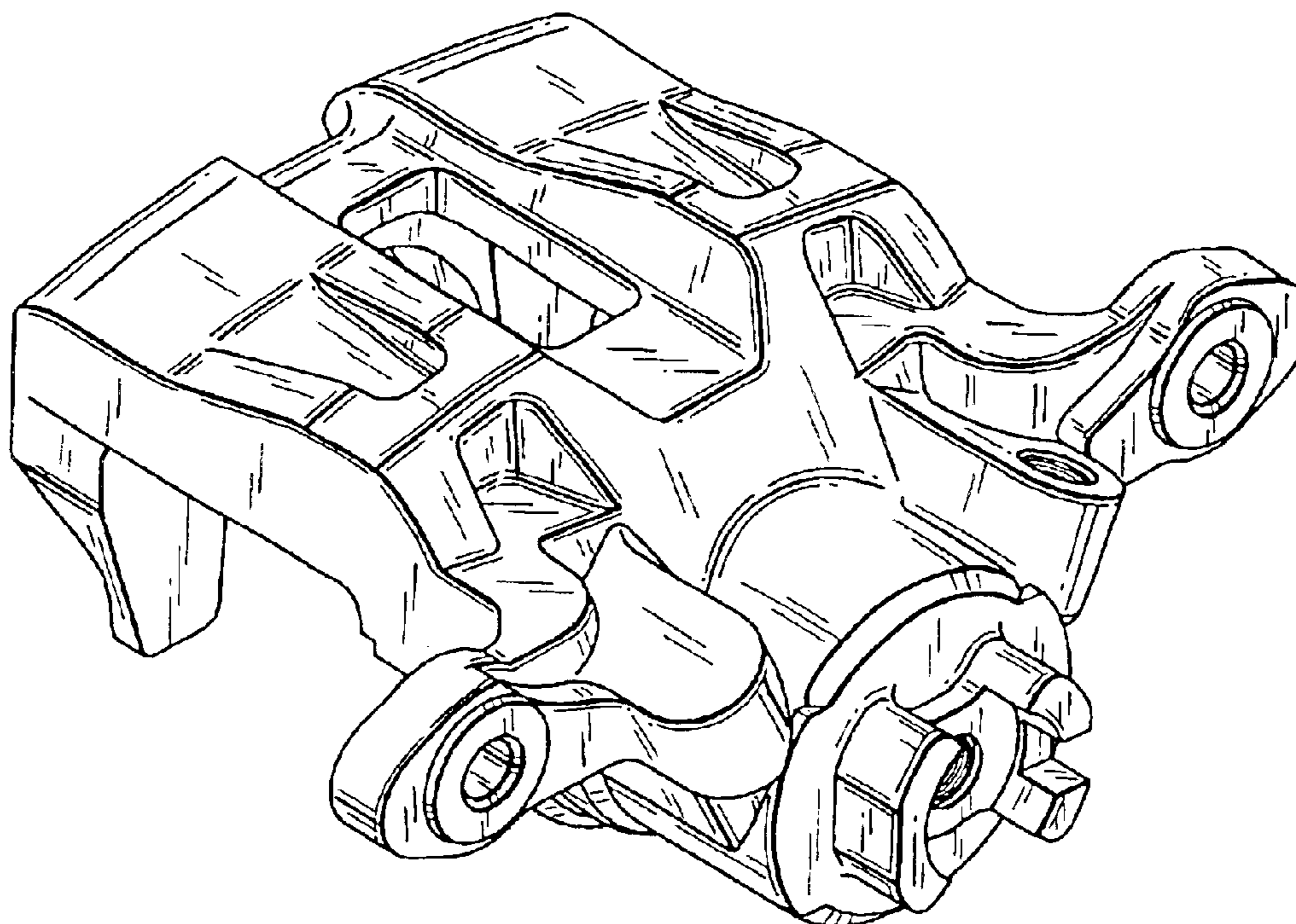


FIG. 1

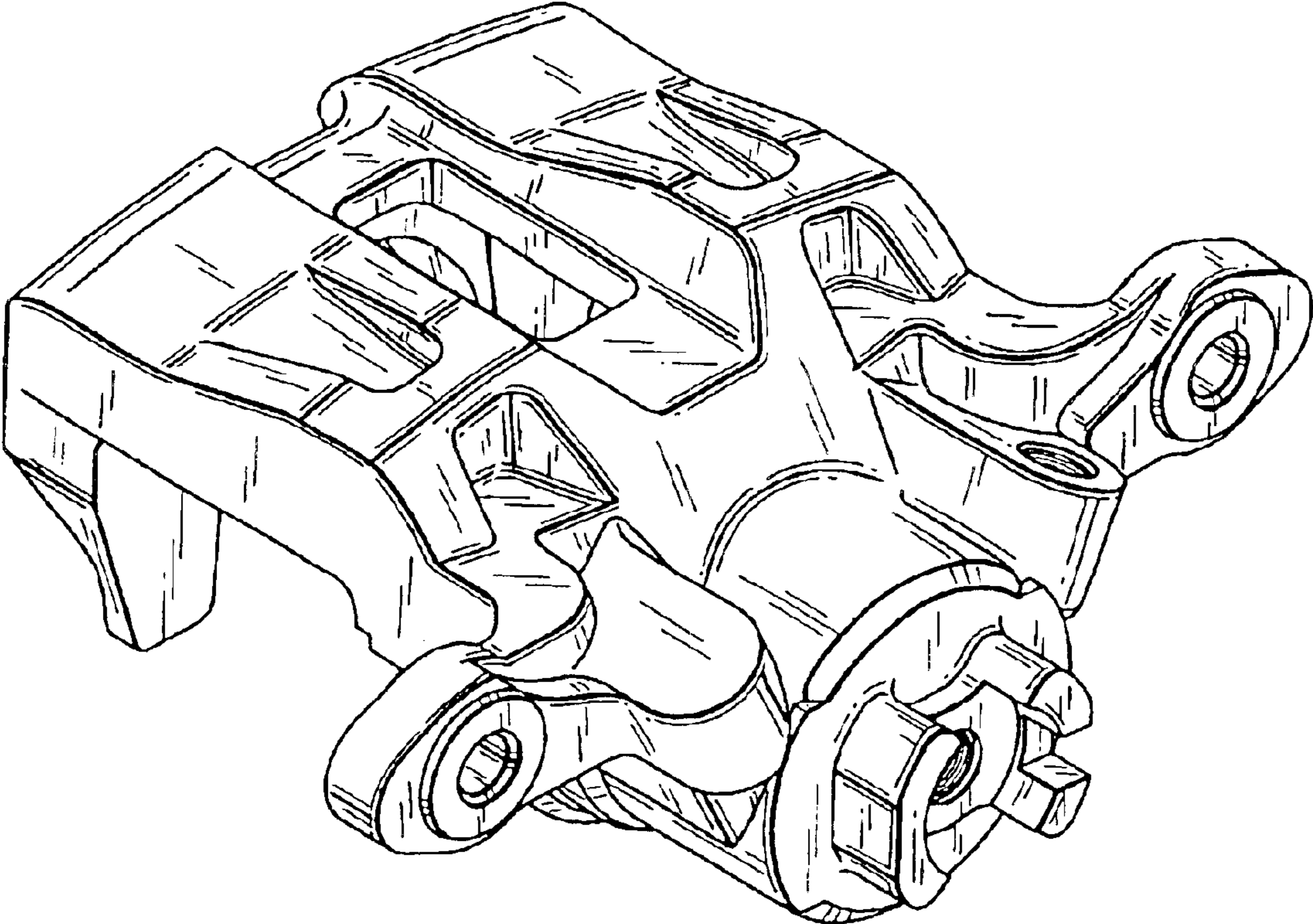


FIG. 2

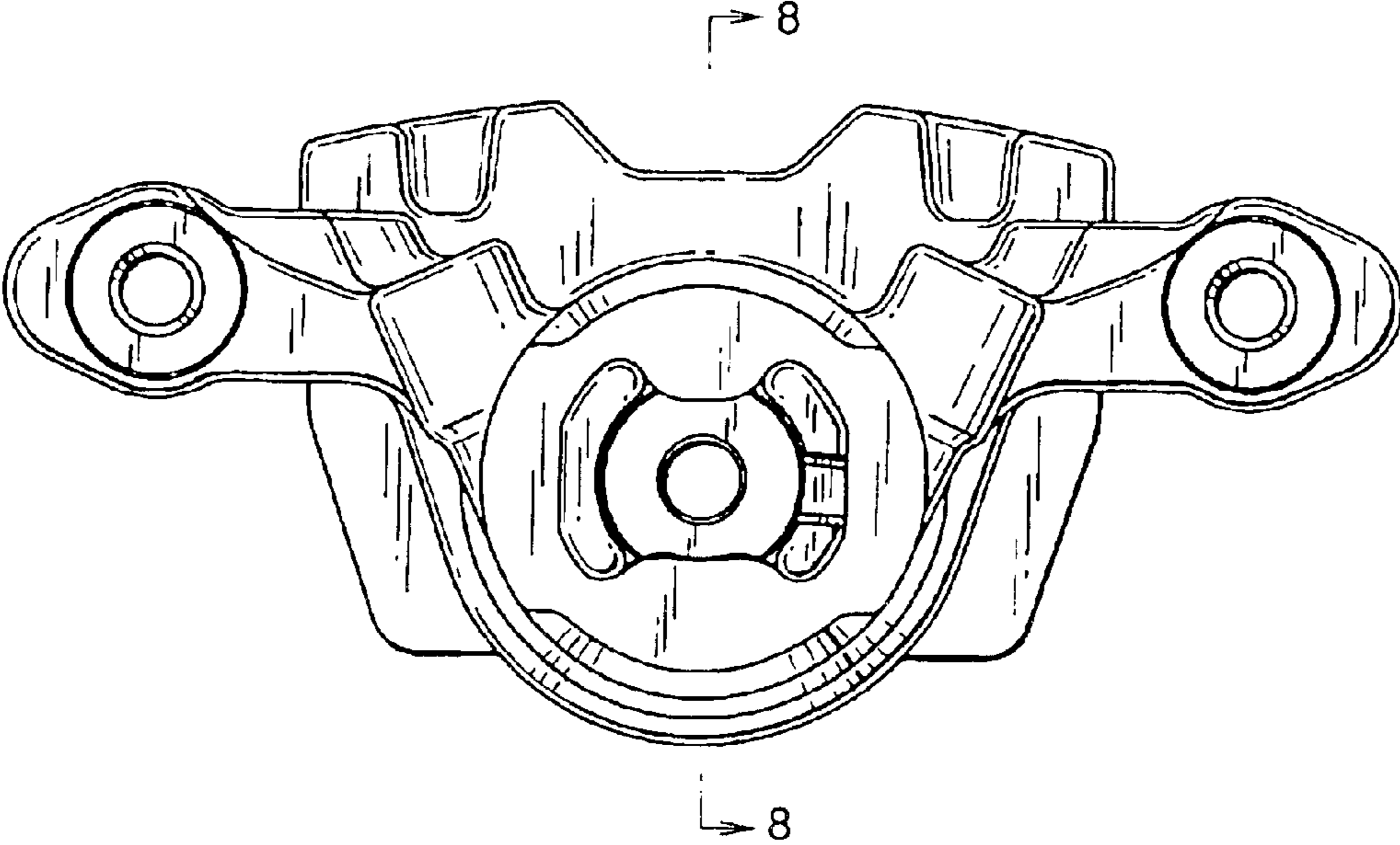


FIG. 3

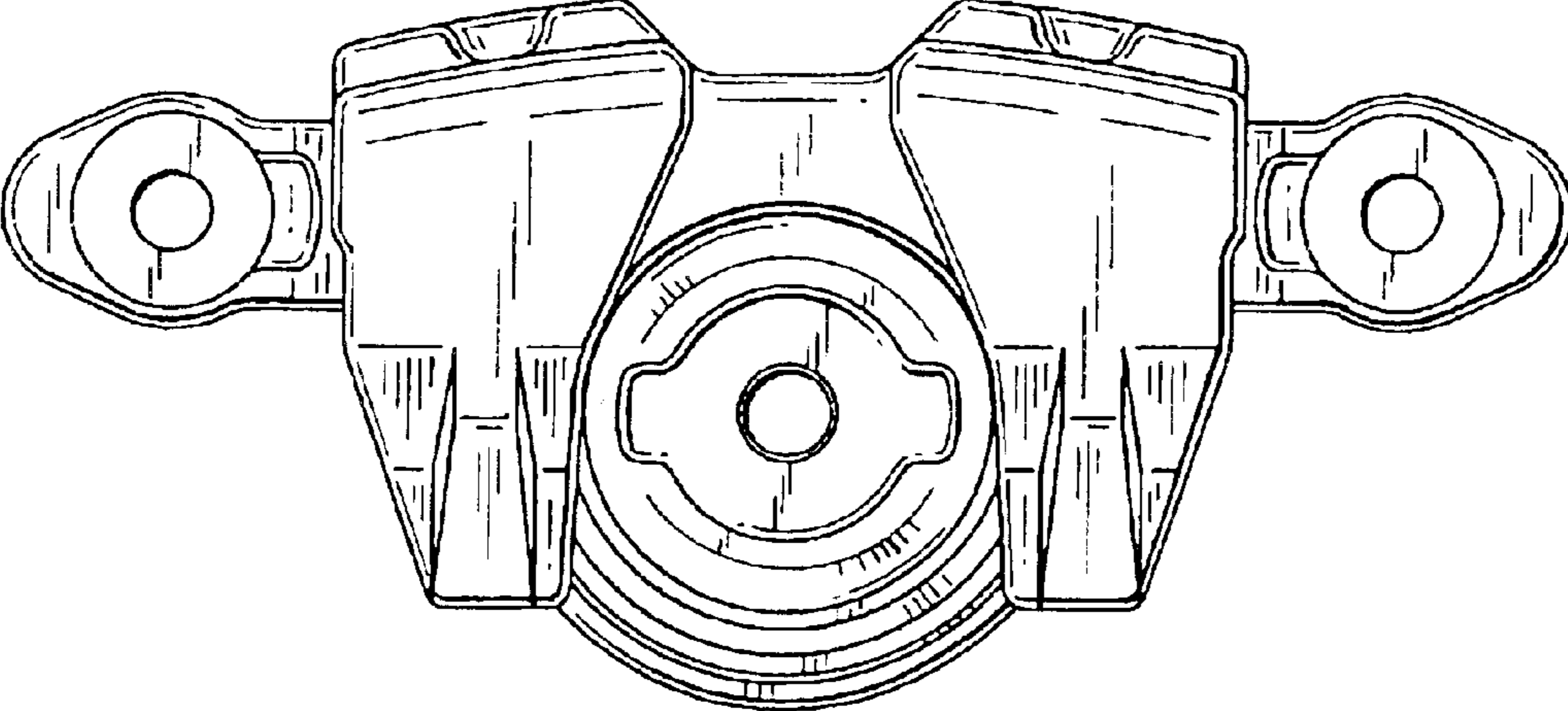


FIG. 4

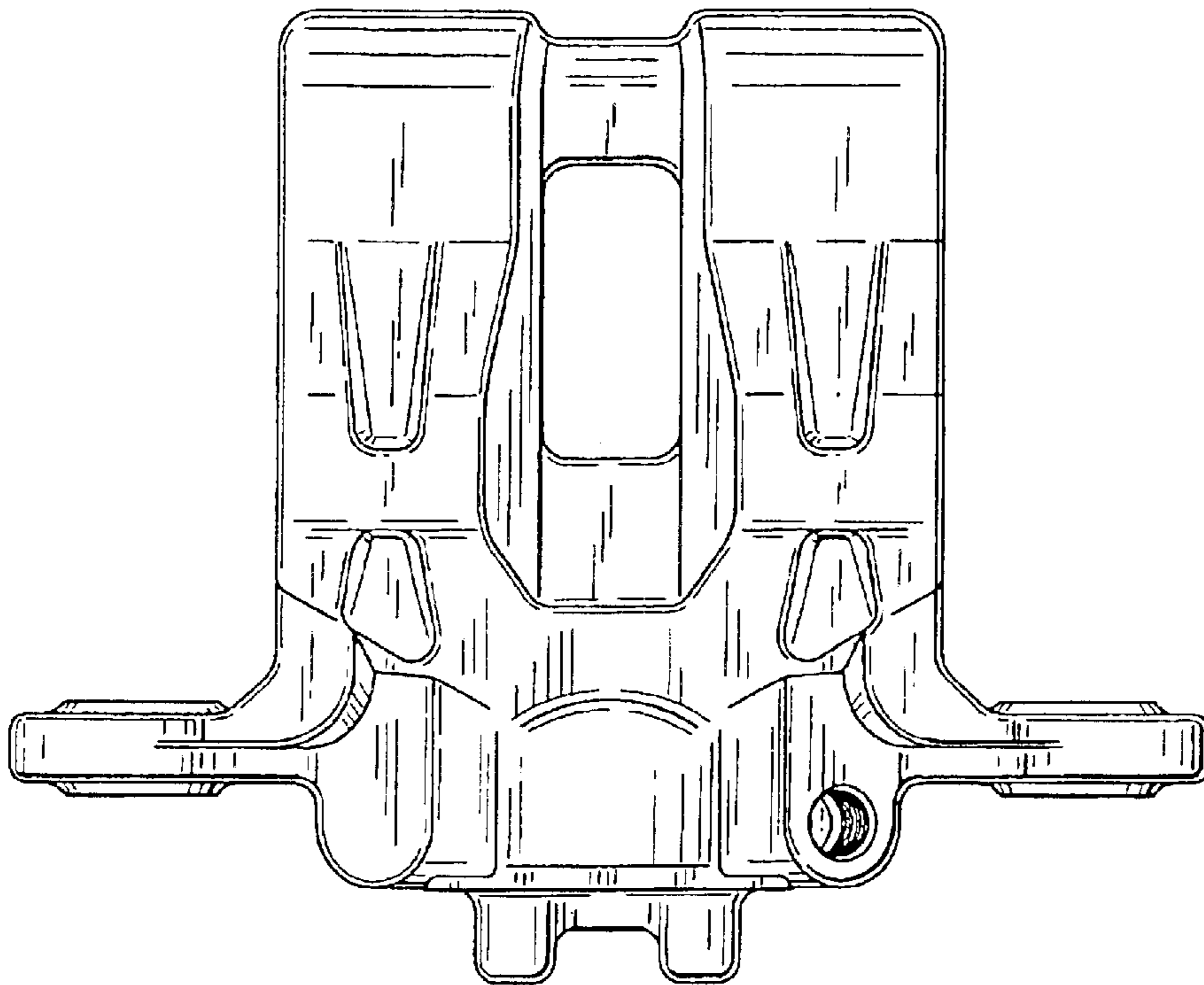


FIG. 5

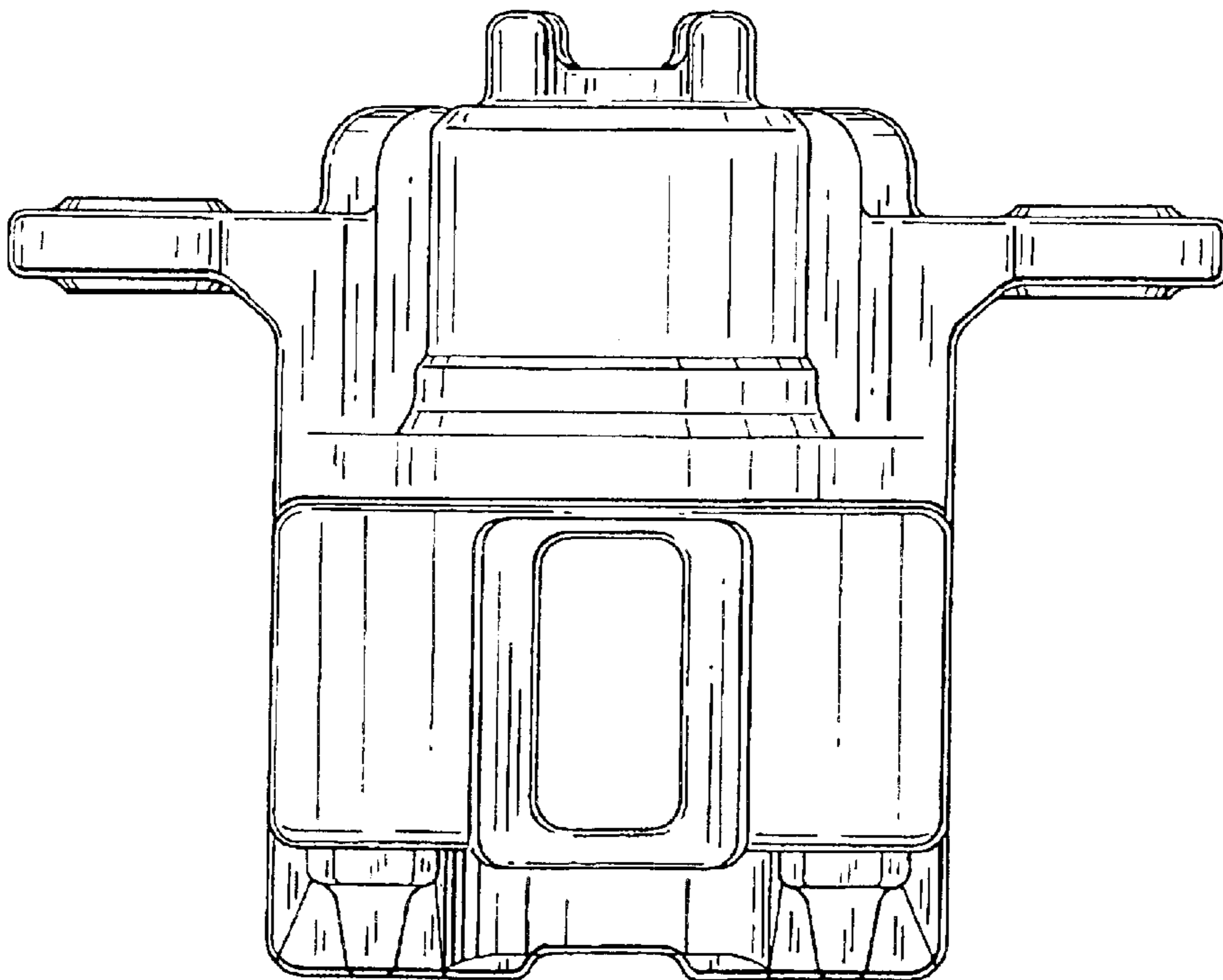
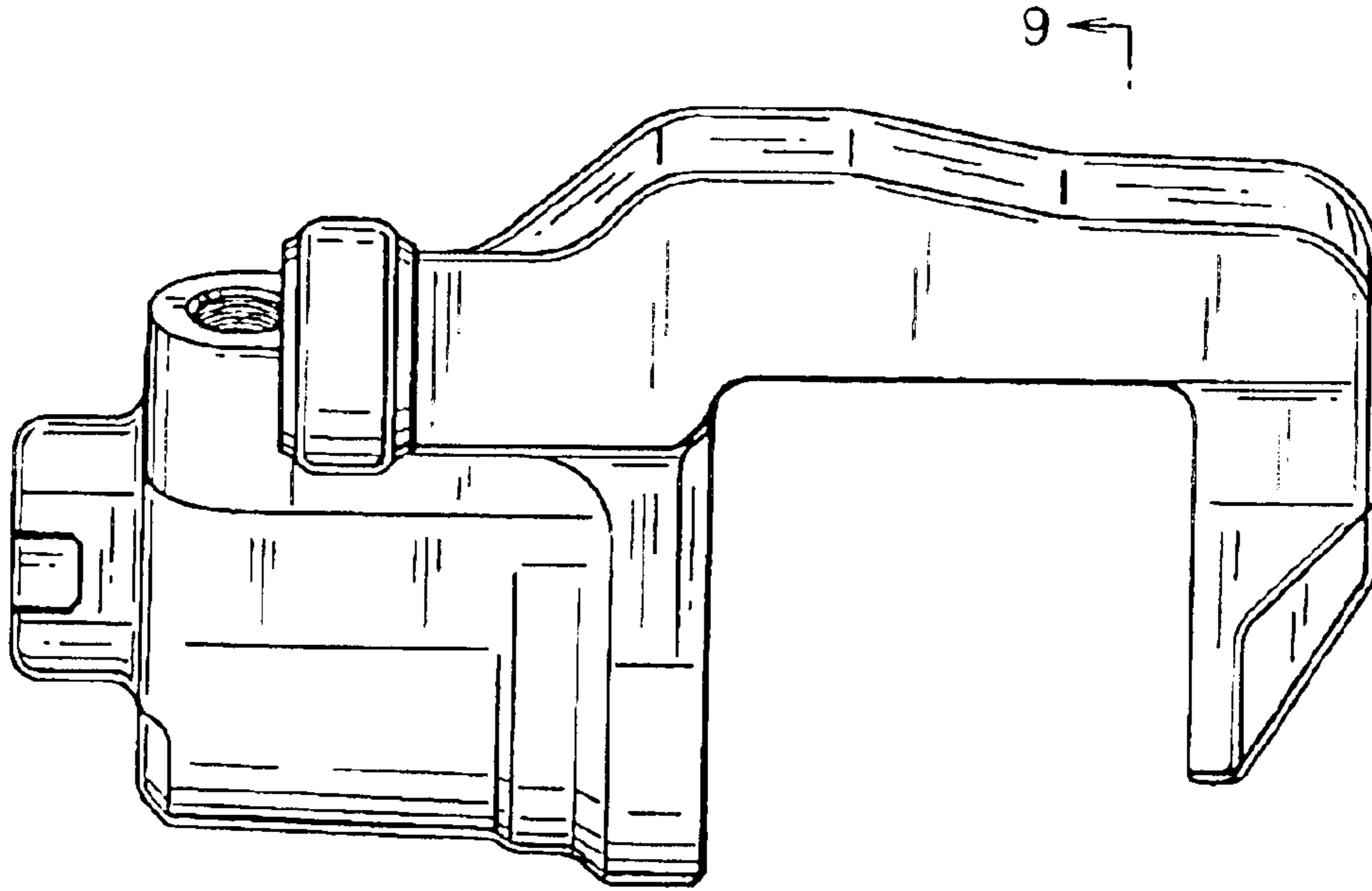


FIG. 6



9

FIG. 7

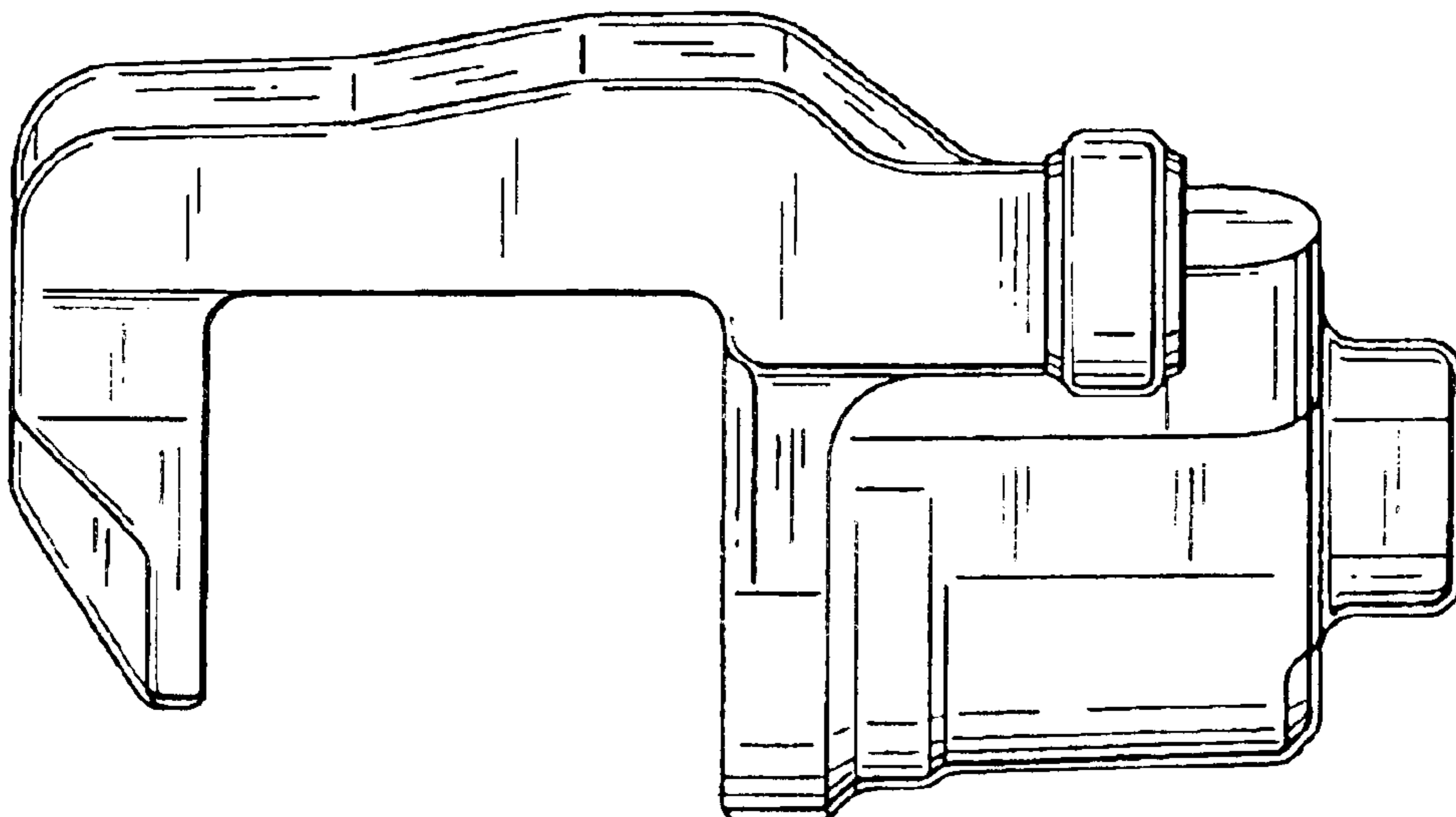


FIG. 8

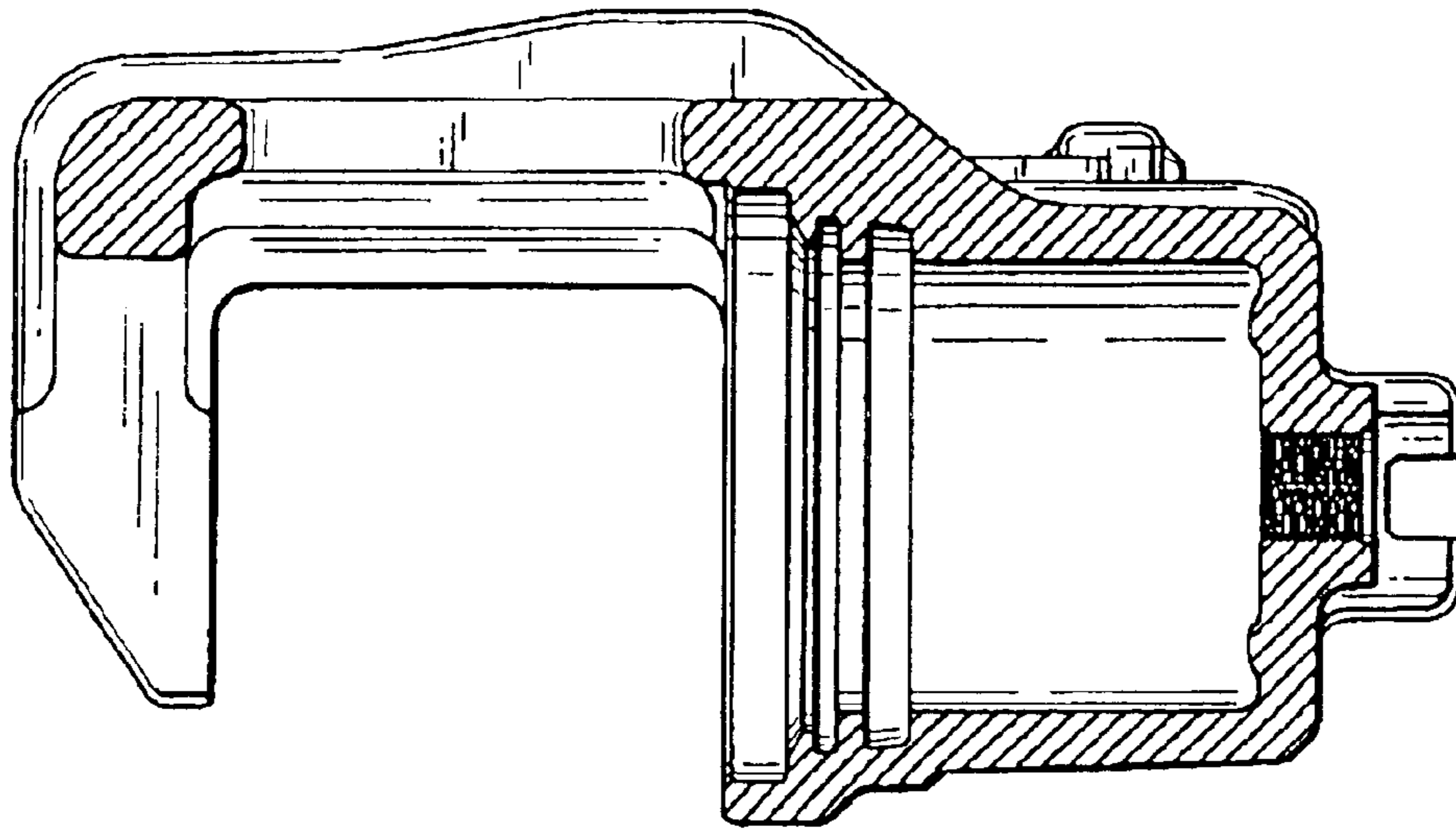


FIG. 9

