

US00D508000S

(12) **United States Design Patent**  
**Schorn et al.**

(10) **Patent No.: US D508,000 S**  
(45) **Date of Patent: \*\* Aug. 2, 2005**

(54) **BRAKE**  
(75) Inventors: **Michael Schorn**, Arcore (IT); **Giovanni Gotti**, Alme' (IT); **Giovanni Mario Tironi**, Dalmine (IT); **Enrico Battista Ongaretti**, Stezzano (IT)

D425,465 S \* 5/2000 Pink et al. .... D12/180  
6,247,561 B1 \* 6/2001 Doi et al. .... 188/73.99  
6,340,076 B1 \* 1/2002 Tsuchiya ..... 188/73.45  
D462,040 S \* 8/2002 Ueno et al. .... D12/180  
6,705,437 B2 \* 3/2004 Severinsson et al. .... 188/73.32  
D494,902 S \* 8/2004 Wen ..... D12/180

\* cited by examiner

(73) Assignee: **Freni Brembo S.p.A.**, Curno (IT)

(\*\*) Term: **14 Years**

*Primary Examiner*—Melody N. Brown  
(74) *Attorney, Agent, or Firm*—Hogan & Hartson LLP

(21) Appl. No.: **29/187,151**

(57) **CLAIM**

(22) Filed: **Jul. 29, 2003**

The ornamental design for a brake, as shown and described.

(30) **Foreign Application Priority Data**

**DESCRIPTION**

Jan. 30, 2003 (IT) ..... MI2003O0062

FIG. 1 is a front view of the brake showing my new design;  
FIG. 2 is a top view of the brake;  
FIG. 3 is a bottom view of the brake;  
FIG. 4 is a rear view of the brake;  
FIG. 5 is a first side view of the brake;  
FIG. 6 is a second side view of the brake;  
FIG. 7 is a top perspective view of the brake; and,  
FIG. 8 is a bottom perspective view of the brake.

(51) **LOC (8) Cl.** ..... **12-16**

(52) **U.S. Cl.** ..... **D12/180**

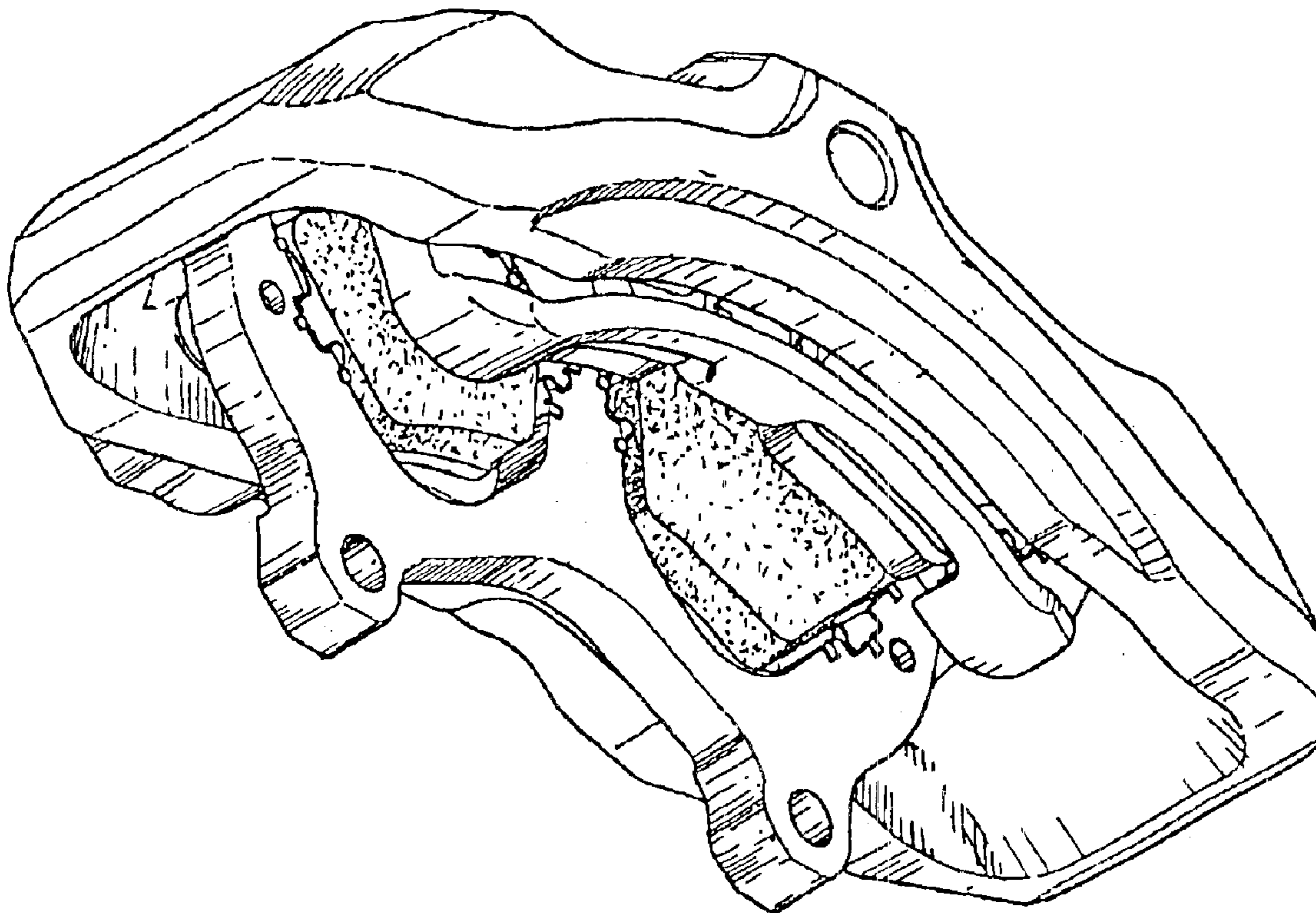
(58) **Field of Search** ..... D12/180; 188/73.3,  
188/73.31-73.39, 73.43, 73.45, 218 XL,  
1.11 W; 192/70.17, 70.2

(56) **References Cited**

**U.S. PATENT DOCUMENTS**

5,499,696 A \* 3/1996 Kobayashi et al. .... 188/1.11 W

**1 Claim, 8 Drawing Sheets**



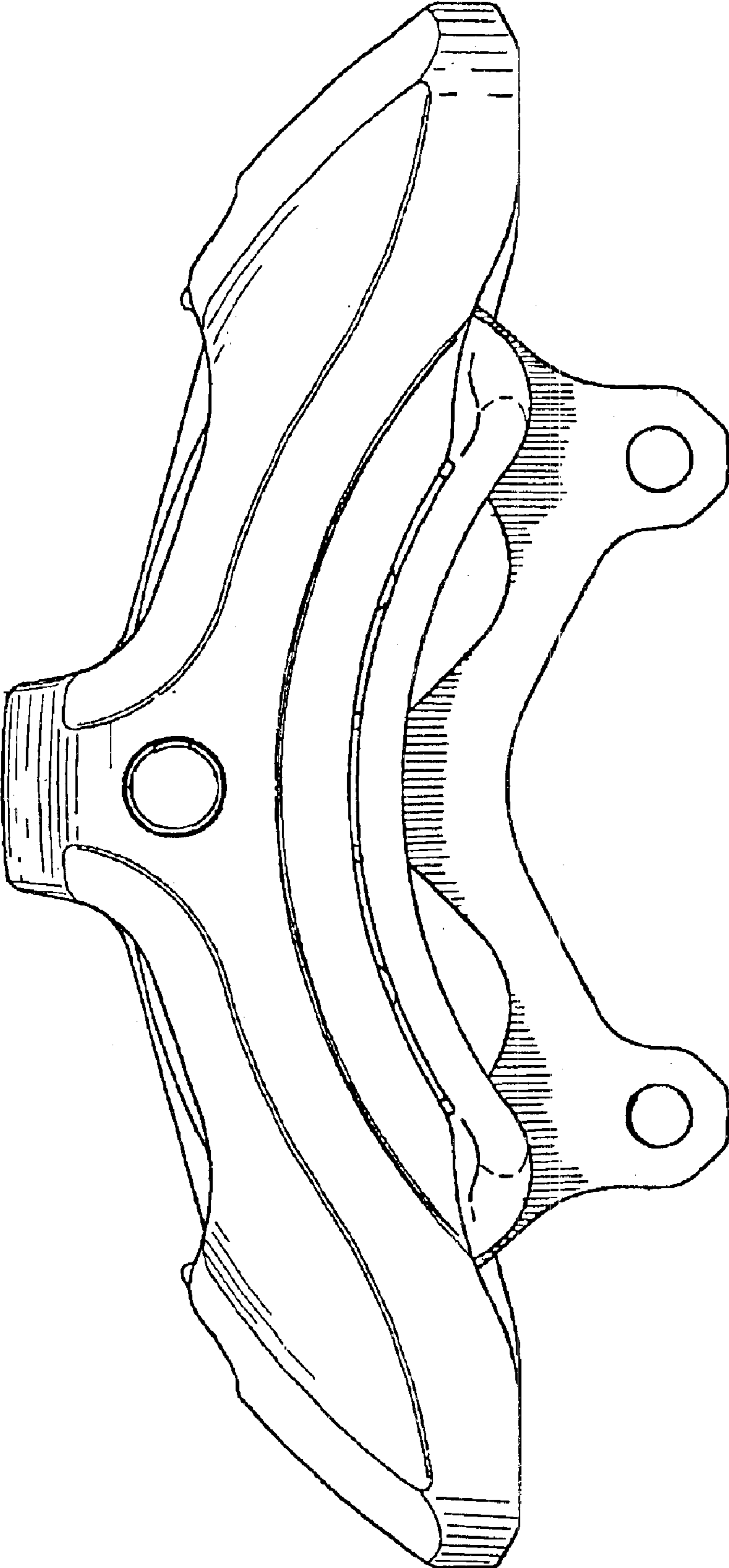


FIG. 1

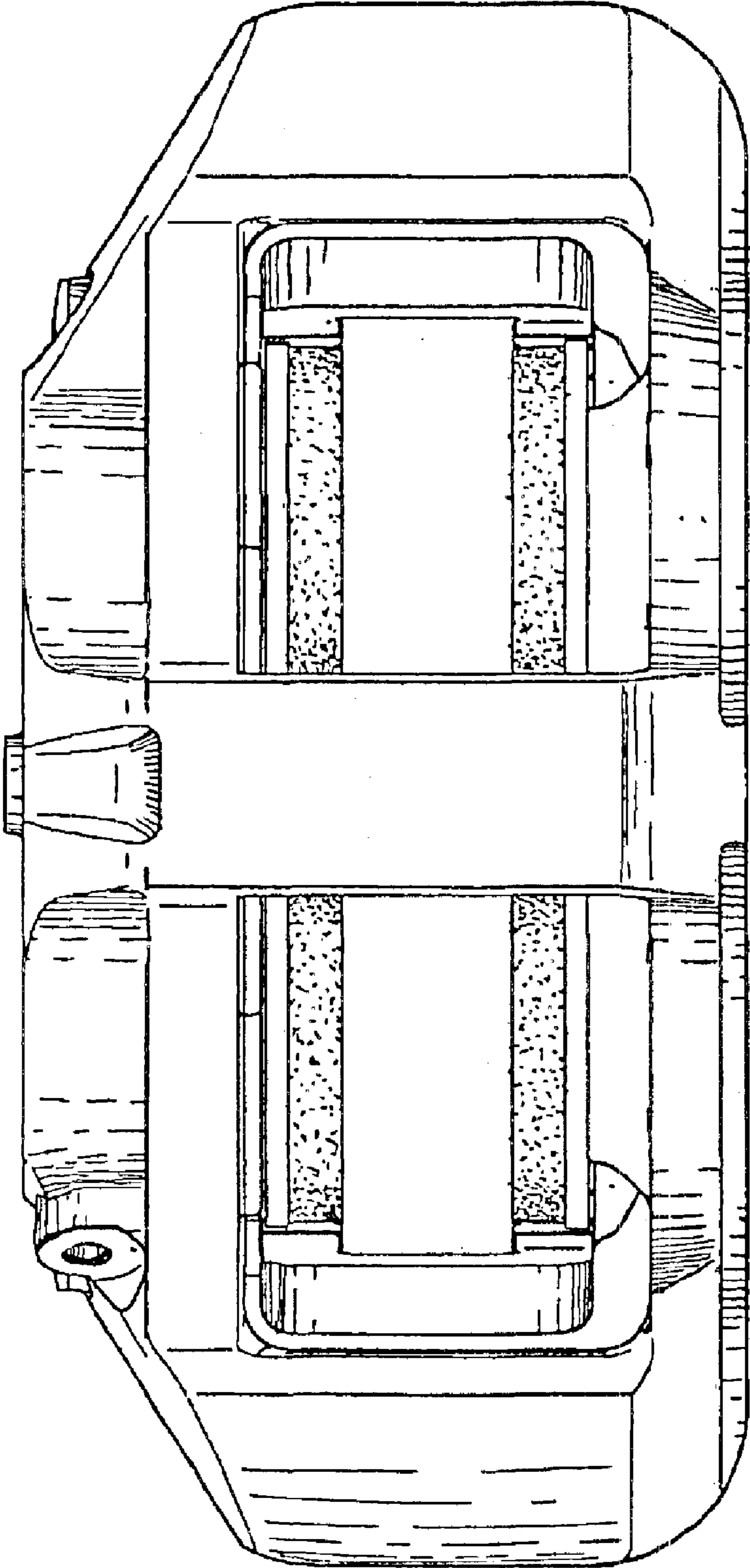


FIG. 2

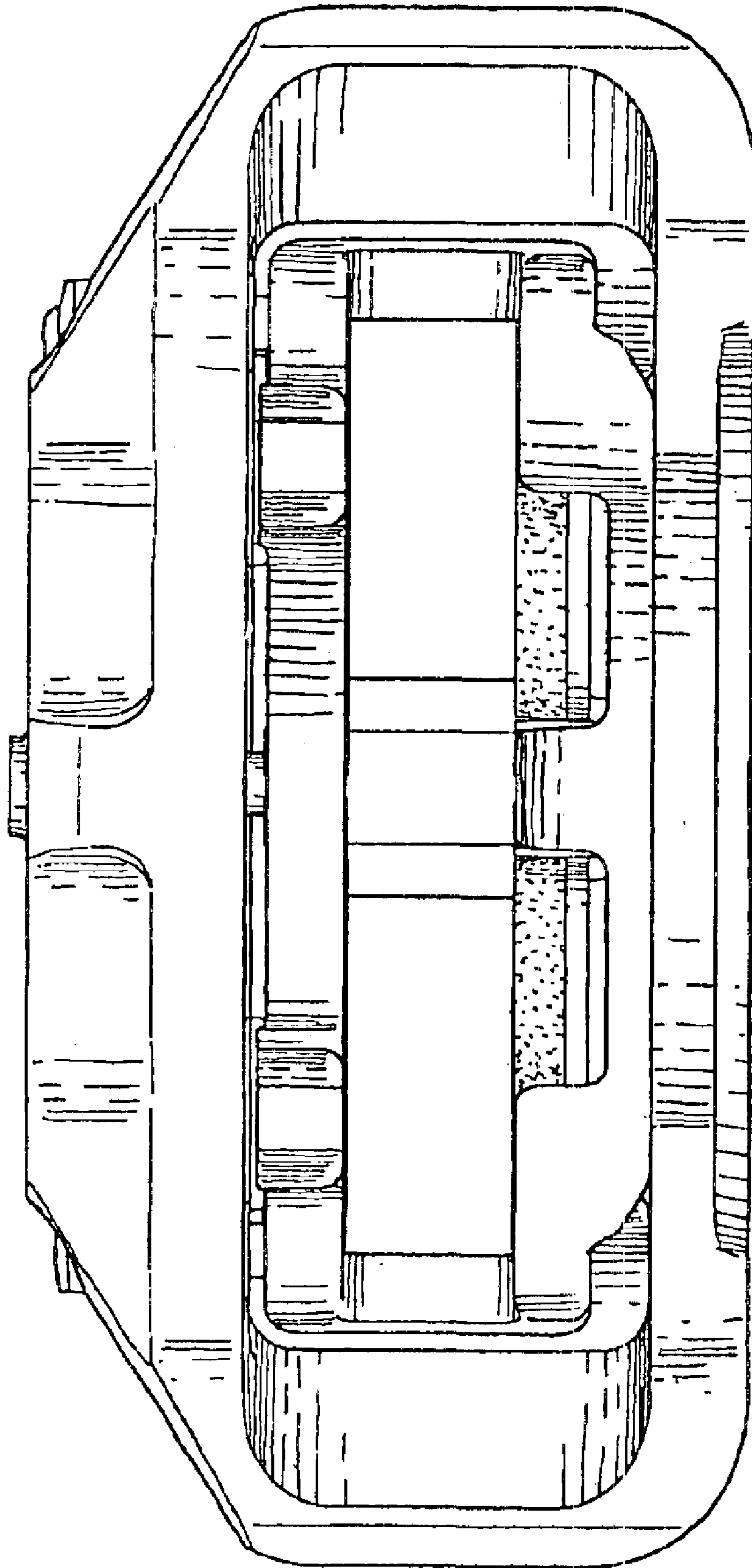


FIG. 3

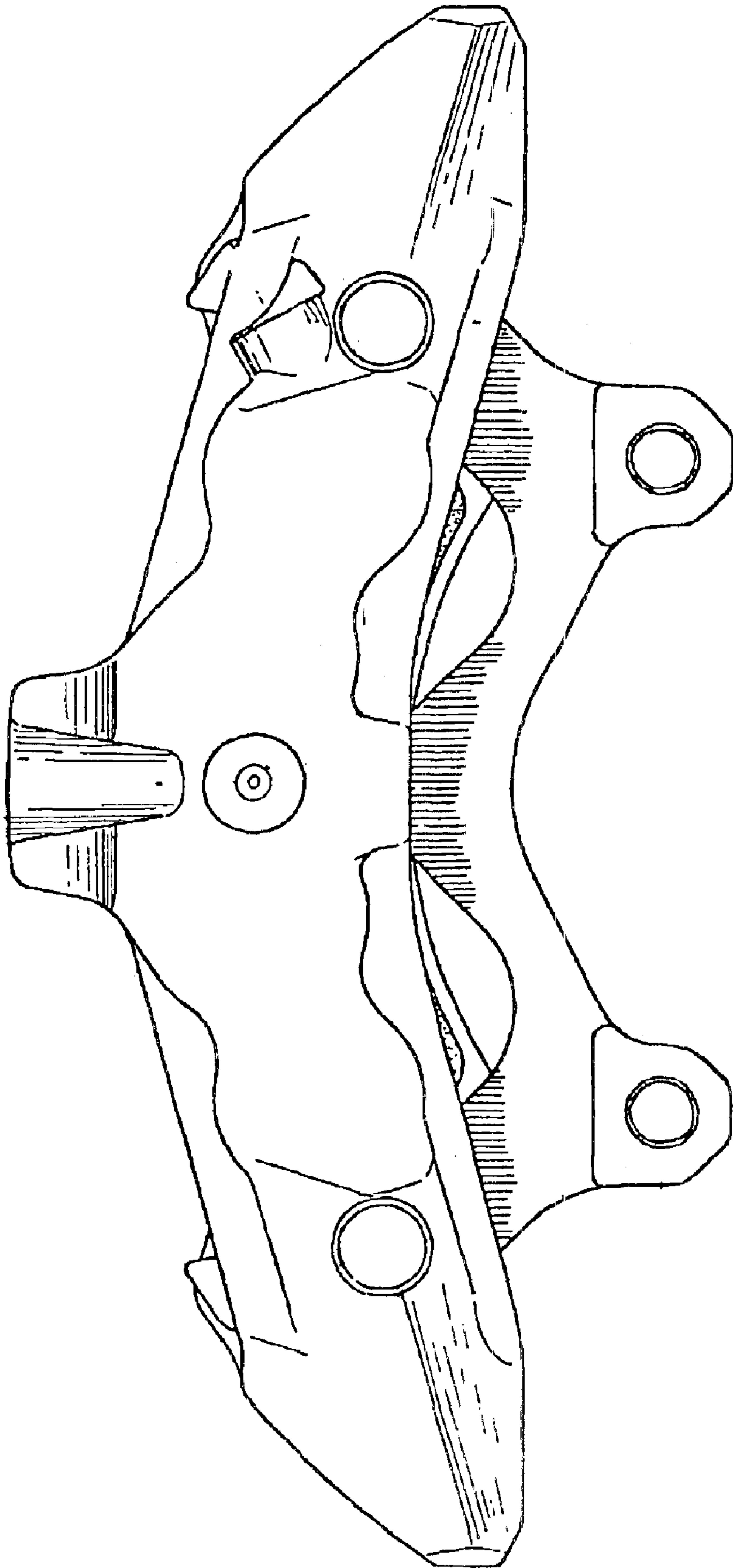


FIG. 4

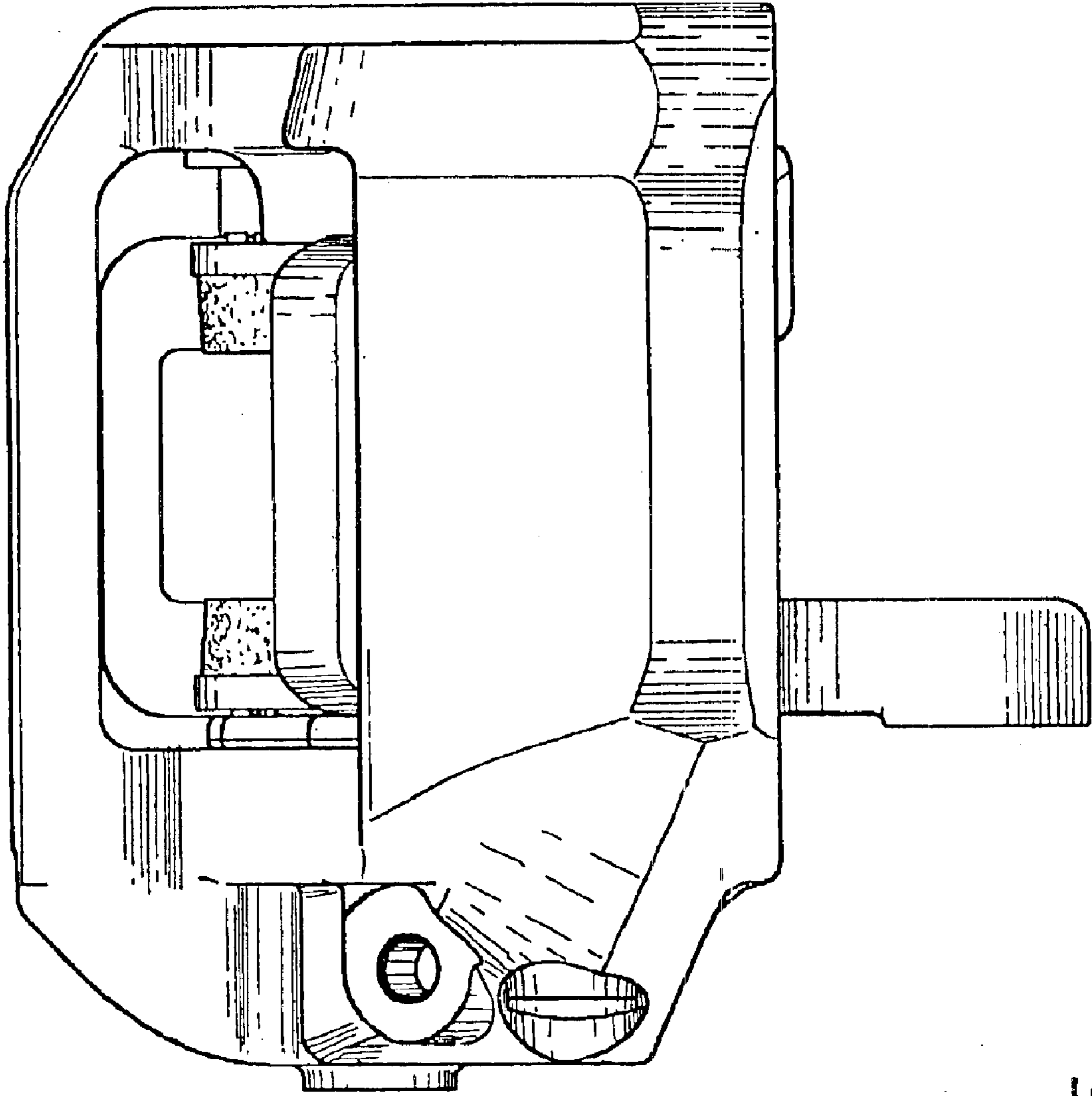


FIG. 5

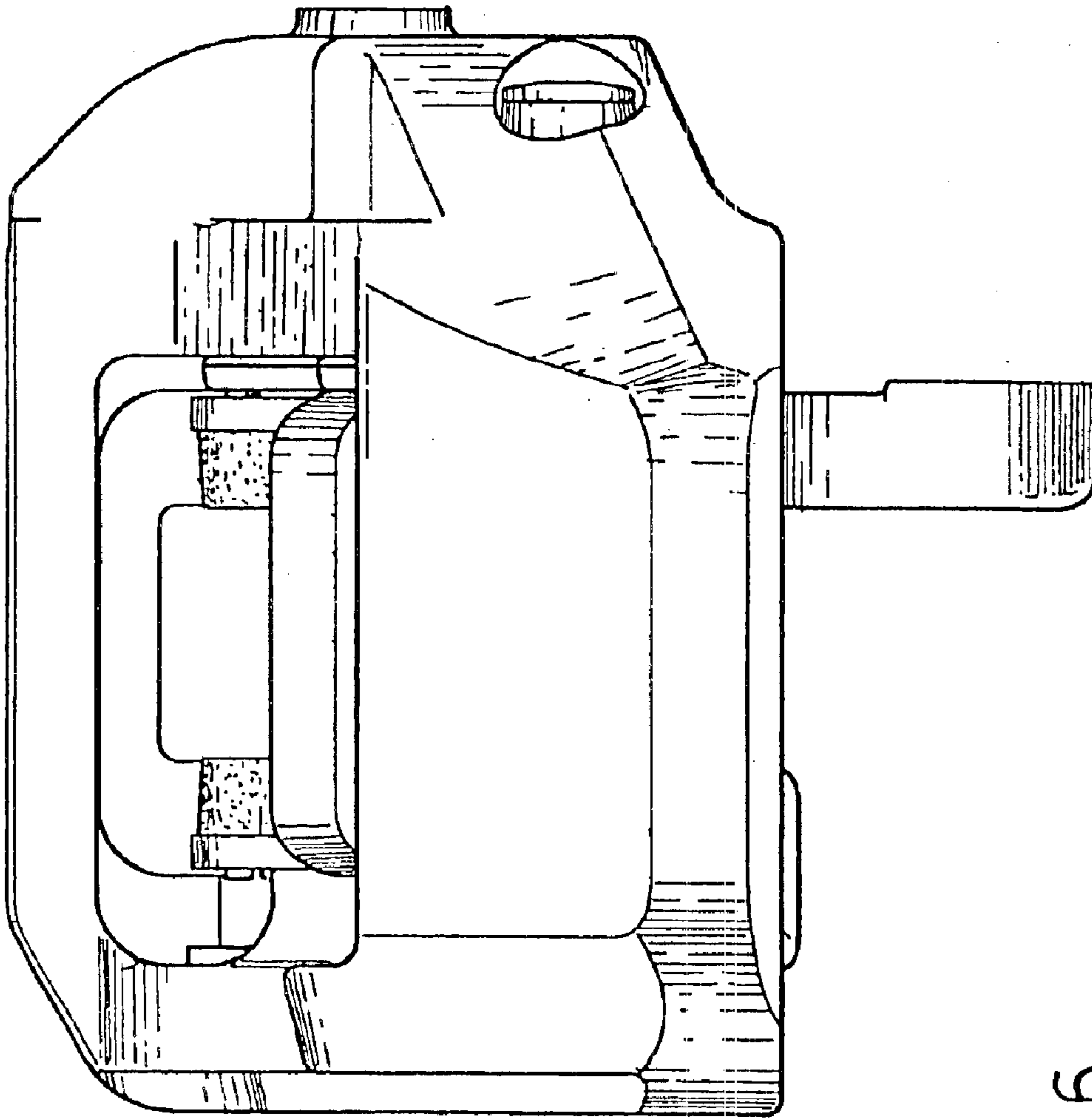


FIG. 6

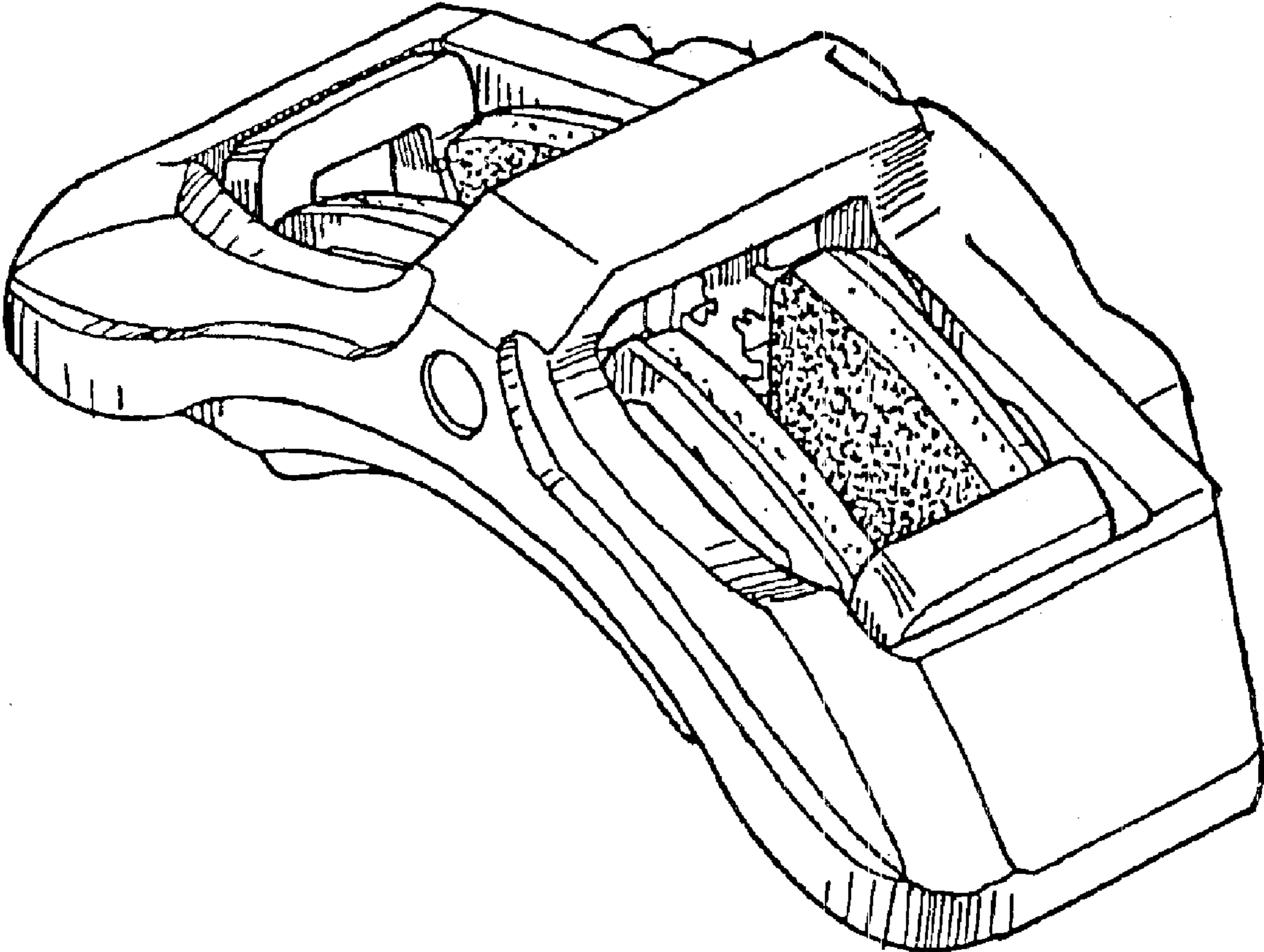


FIG. 7



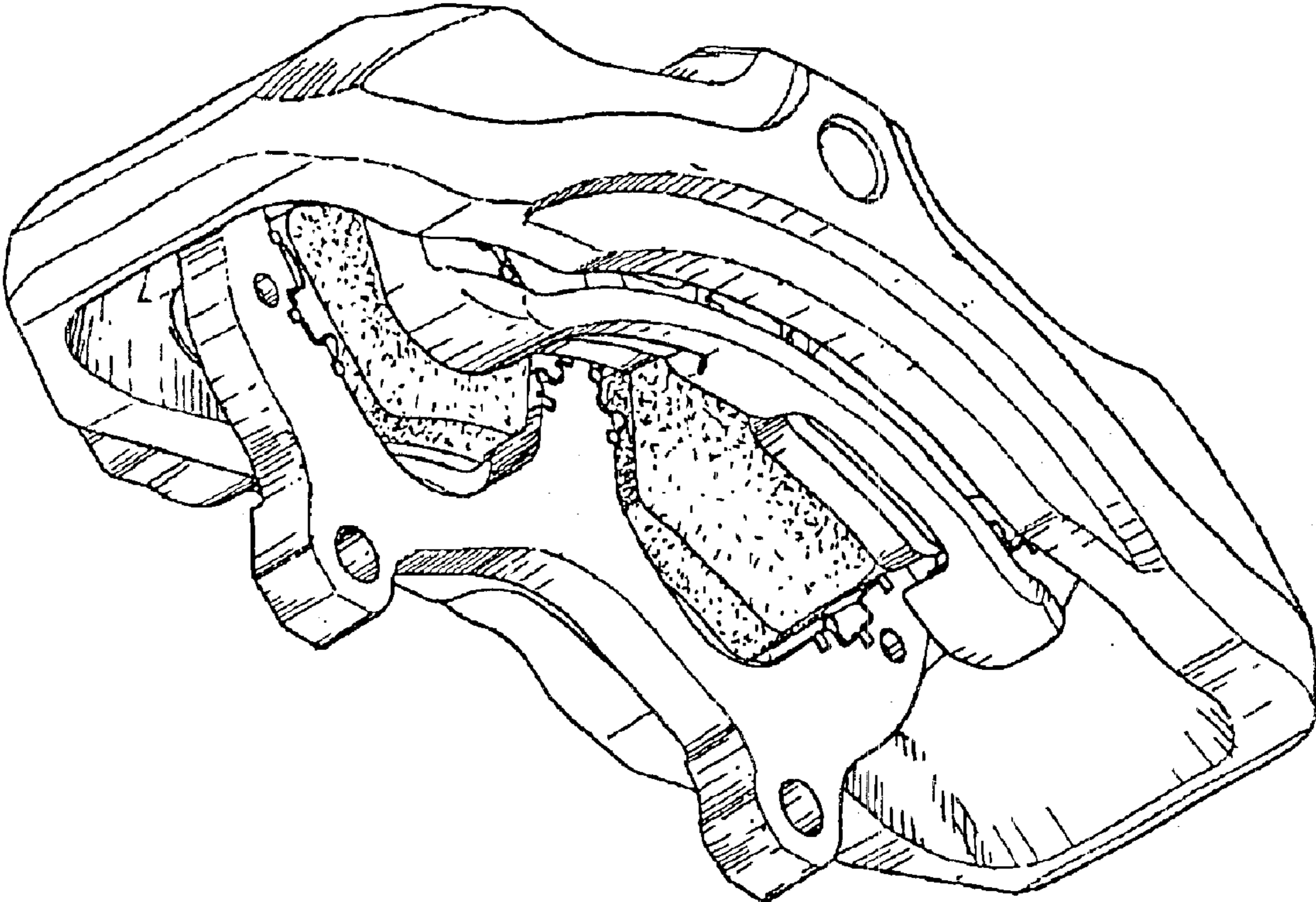


FIG. 8