

US00D507999S

(12) **United States Design Patent**
Potak

(10) **Patent No.:** **US D507,999 S**

(45) **Date of Patent:** **** Aug. 2, 2005**

(54) **“M” STYLE GUARD**

D422,953 S * 4/2000 Waagenaar D12/171
D427,121 S * 6/2000 Hartog D12/171

(75) Inventor: **Robert L. Potak**, Strongsville, OH
(US)

* cited by examiner

(73) Assignee: **Meyer Products, Inc.**, Cleveland, OH
(US)

Primary Examiner—Melody N. Brown
(74) *Attorney, Agent, or Firm*—Roger D. Emerson;
Timothy D. Bennett; Brouse McDowell

(**) Term: **14 Years**

(57) **CLAIM**

(21) Appl. No.: **29/200,547**

The ornamental design for a “M” style guard, as shown and described.

(22) Filed: **Mar. 1, 2004**

DESCRIPTION

(51) **LOC (8) Cl.** **12-16**

(52) **U.S. Cl.** **D12/171**

(58) **Field of Search** D12/171, 163;
293/102, 103, 115, 120, 121, 144; 180/86.1

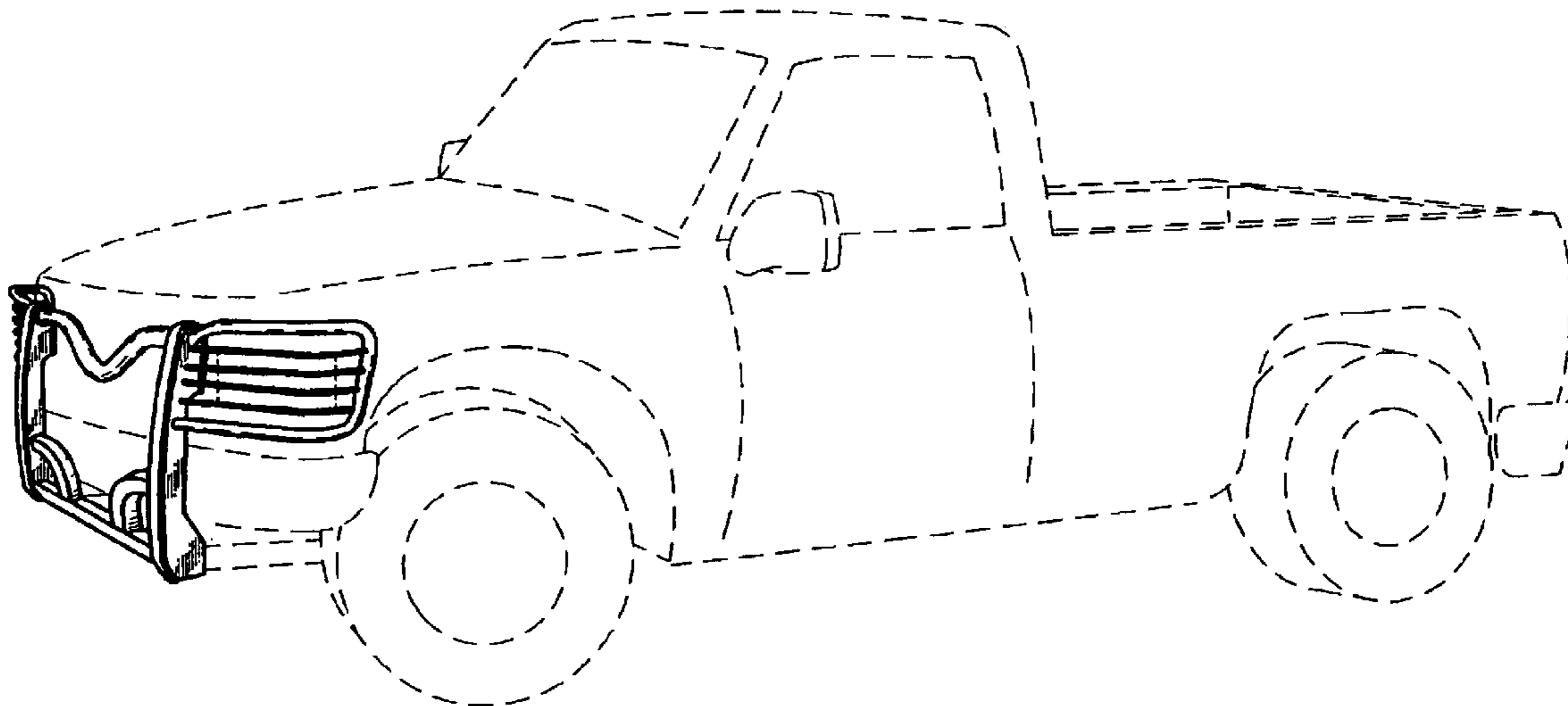
FIG. 1 is a perspective view of a “M” style guard showing my new design, the broken lines are for illustrative purposes only and form no part of the claimed design;
FIG. 2 is a front elevation view thereof;
FIG. 3 is a front view of the guard taken from FIG. 1;
FIG. 4 is a left side view of the guard taken from FIG. 1;
FIG. 5 is a right side view of the guard taken from FIG. 1;
and,
FIG. 6 is a top plan view of the guard taken from FIG. 1.

(56) **References Cited**

U.S. PATENT DOCUMENTS

D410,879 S * 6/1999 Orth, Sr. D12/171
D416,219 S * 11/1999 Waagenaar D12/171
D422,952 S * 4/2000 Waagenaar D12/171

1 Claim, 3 Drawing Sheets



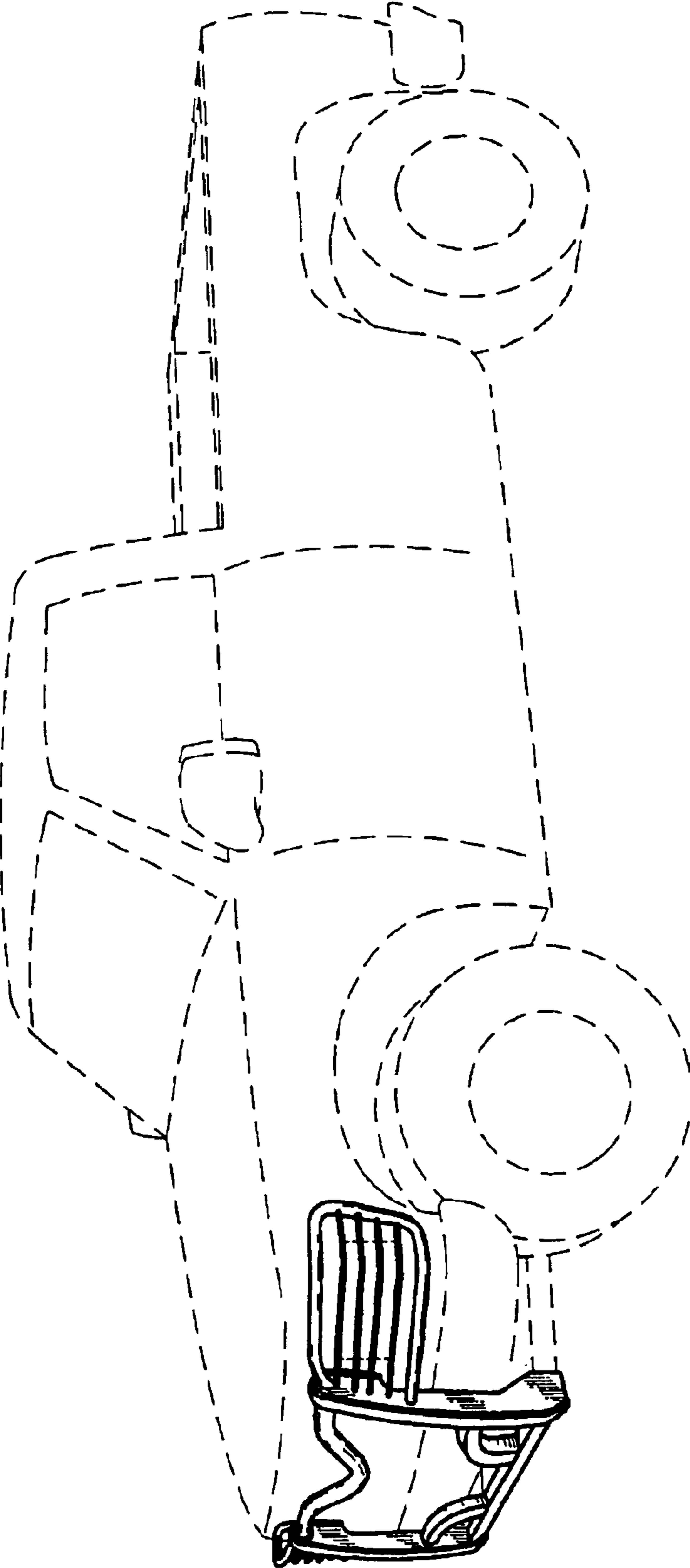


FIG-1

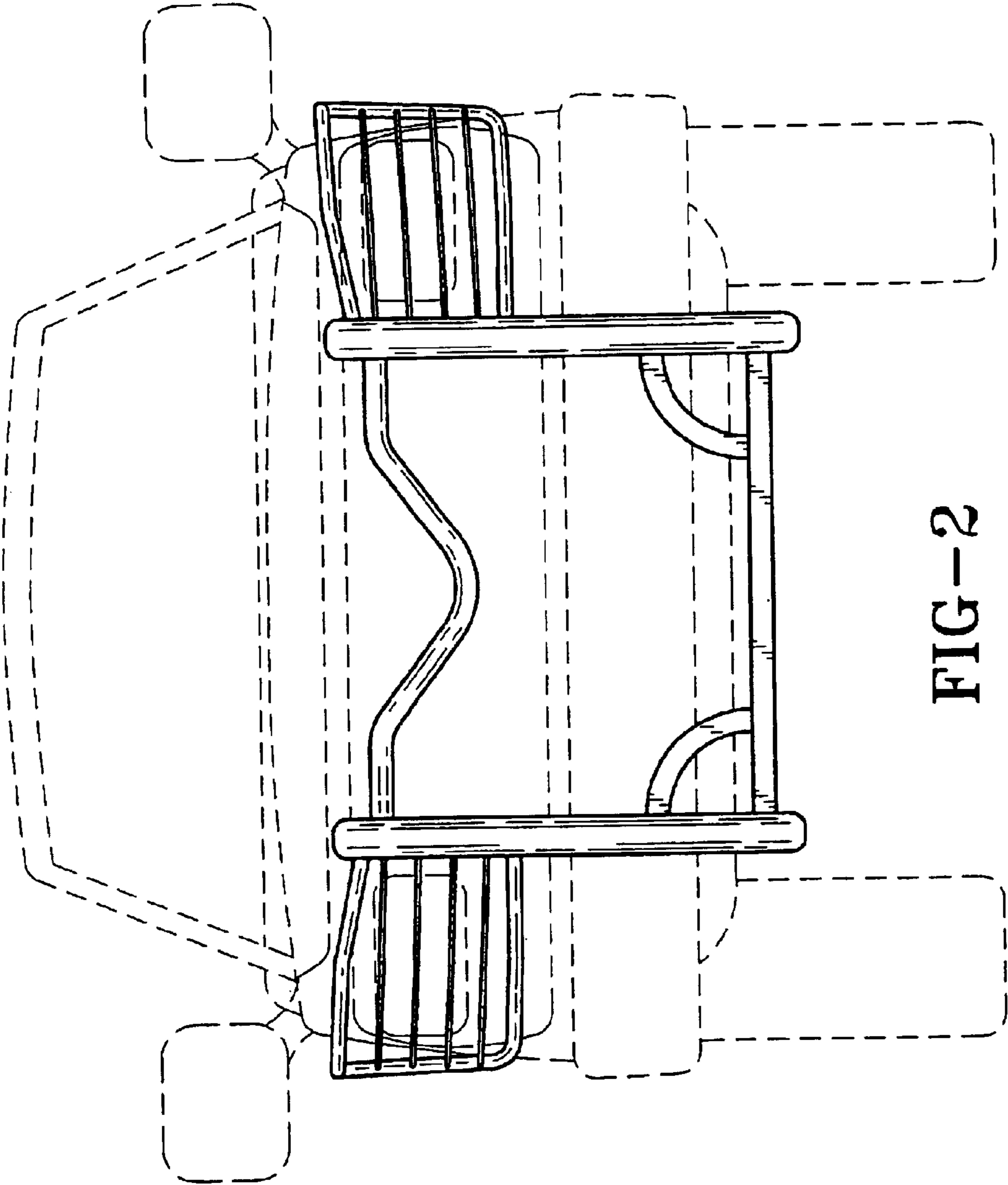


FIG-2

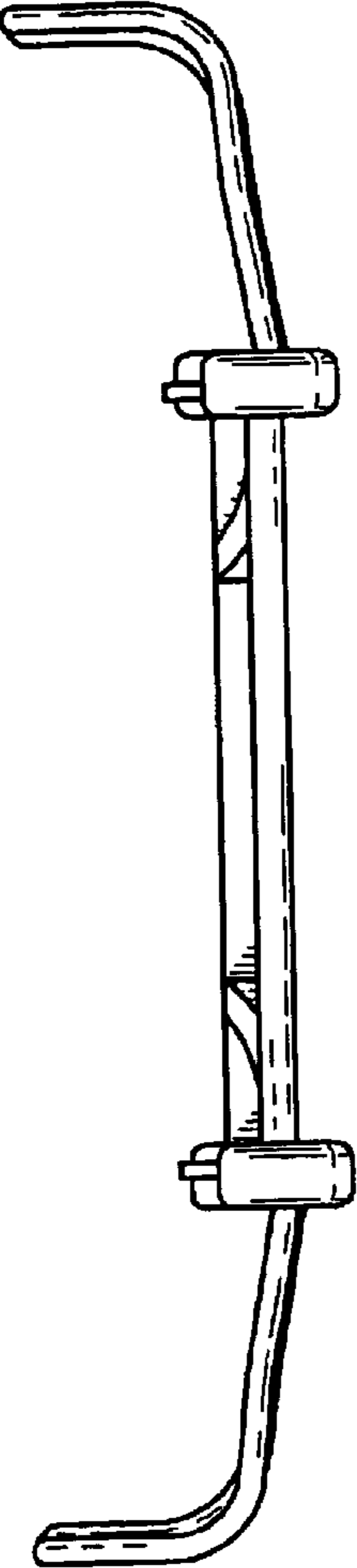


FIG-6

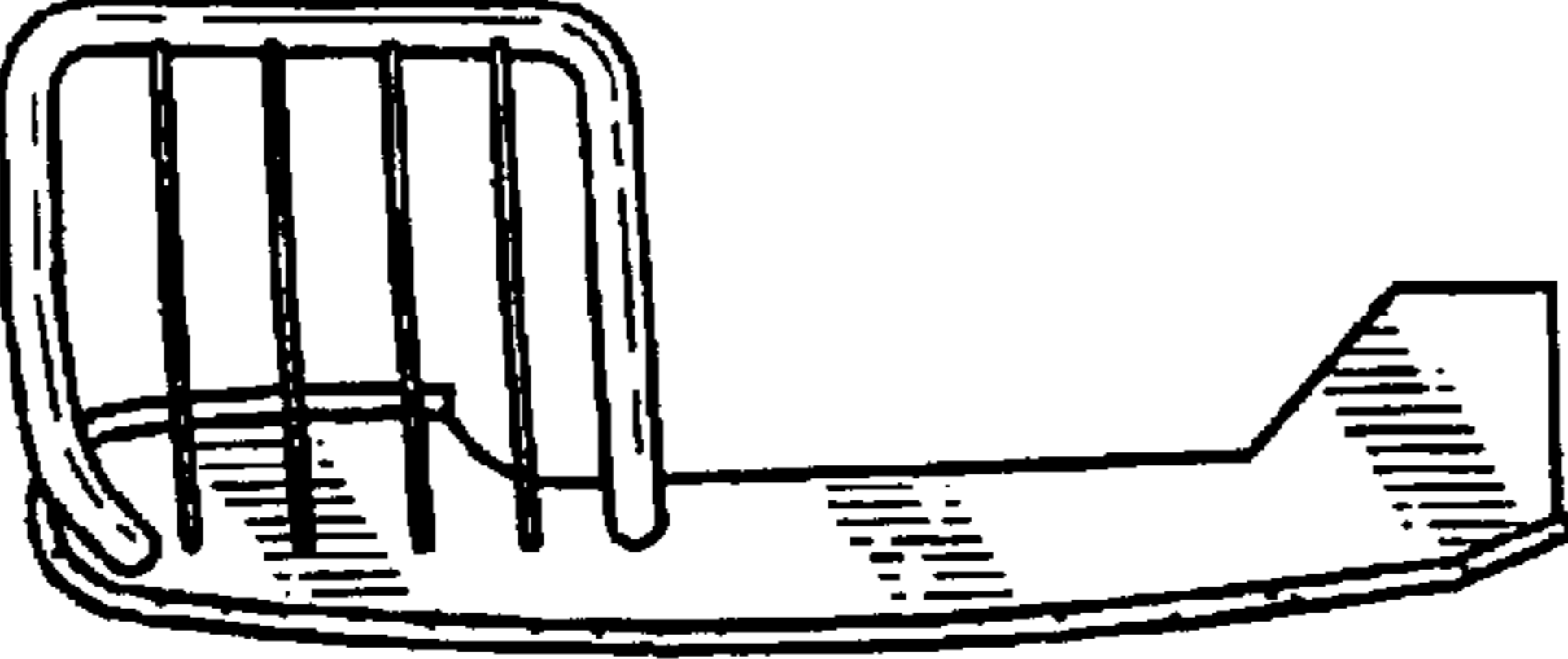


FIG-4

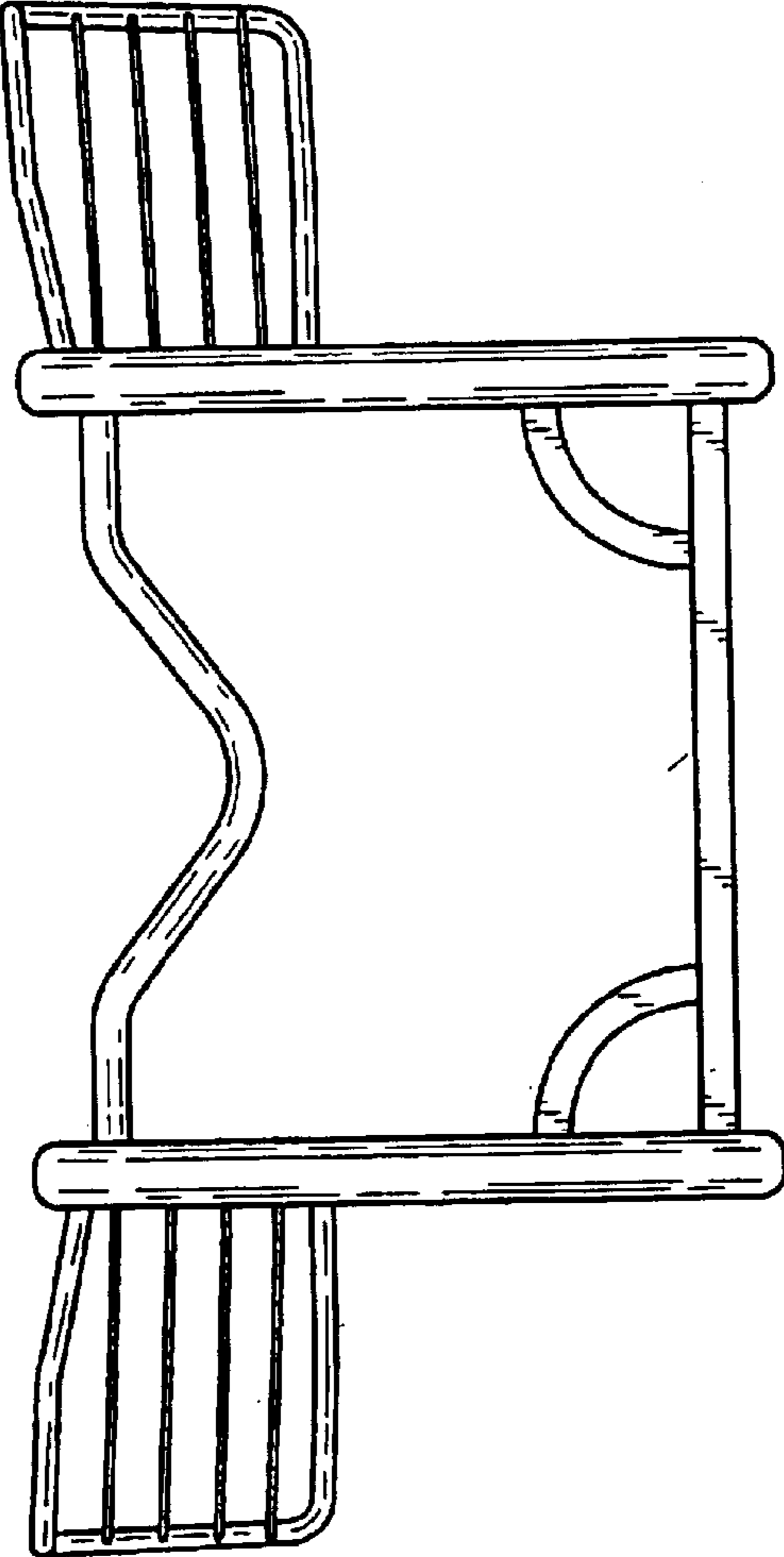


FIG-3

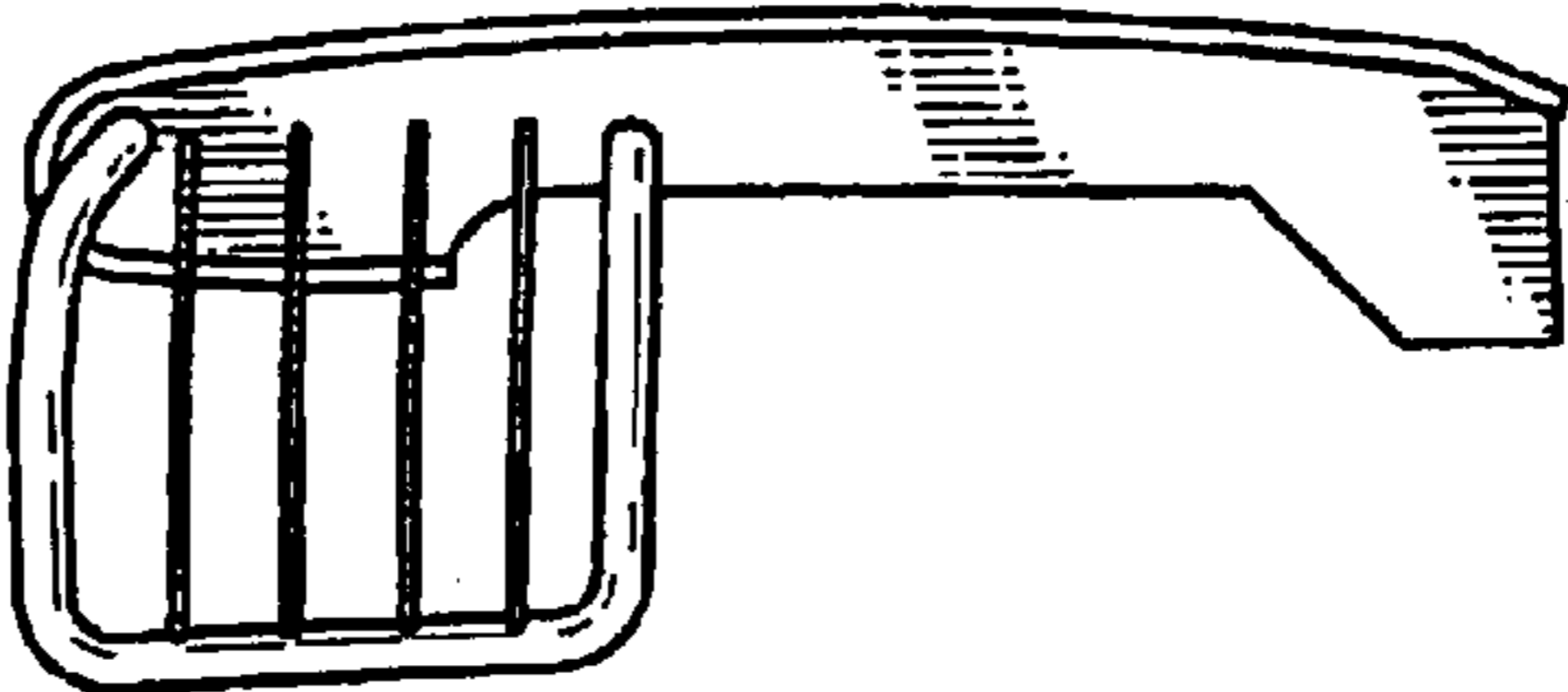


FIG-5