

US00D507995S

(12) **United States Design Patent**
Okada

(10) **Patent No.:** **US D507,995 S**

(45) **Date of Patent:** **** Aug. 2, 2005**

(54) **BICYCLE CHAIN CASE**

(75) Inventor: **Shigekatsu Okada**, Osaka (JP)

(73) Assignee: **Shimano Inc.**, Osaka (JP)

(**) Term: **14 Years**

(21) Appl. No.: **29/199,982**

(22) Filed: **Feb. 23, 2004**

(51) **LOC (8) Cl.** **12-11**

(52) **U.S. Cl.** **D12/127**

(58) **Field of Search** D12/111, 114,
D12/126, 127; 74/608, 609; 474/144-147;
280/288.1-288.4, 304.3, 152.2

(56) **References Cited**

U.S. PATENT DOCUMENTS

D376,569 S * 12/1996 Fang D12/127
2003/0224891 A1 * 12/2003 Chou 474/146

* cited by examiner

Primary Examiner—Alan P. Douglas

Assistant Examiner—Linda Brooks

(74) *Attorney, Agent, or Firm*—Shinju Global IP Counselors, LLP

(57) **CLAIM**

The ornamental design for a bicycle chain case, as shown and described.

DESCRIPTION

FIG. 1 is a rear outside perspective view of a bicycle chain case in accordance with my new design;

FIG. 2 is an outside elevational view of the bicycle chain case in accordance with my new design;

FIG. 3 is an inside elevational view of the bicycle chain case in accordance with my new design;

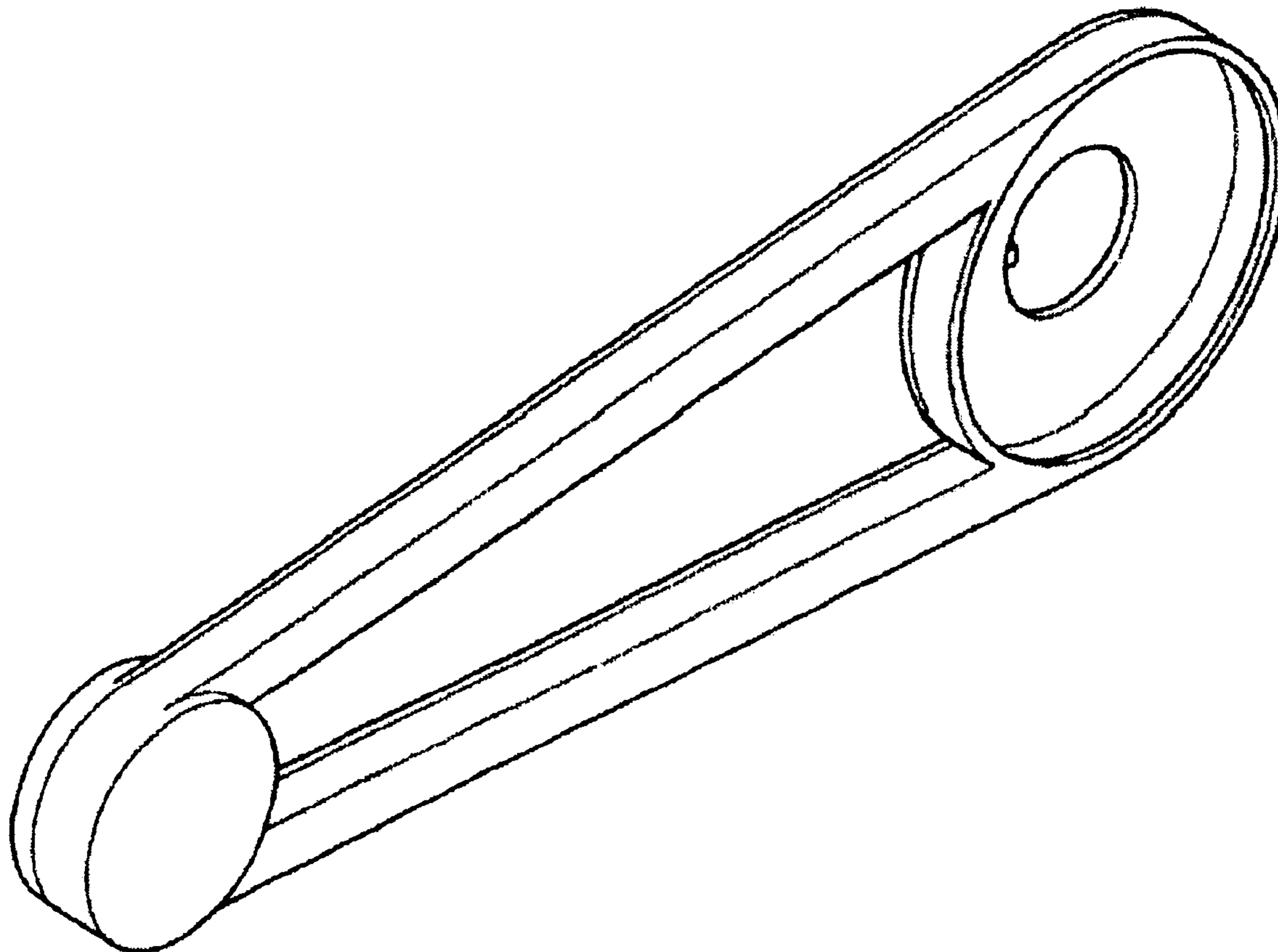
FIG. 4 is a front end elevational view of the bicycle chain case in accordance with my new design;

FIG. 5 is a rear end elevational view of the bicycle chain case in accordance with my new design;

FIG. 6 is a top plan view of the bicycle chain case in accordance with my new design; and,

FIG. 7 is a bottom plan view of the bicycle case in accordance with my new design.

1 Claim, 6 Drawing Sheets



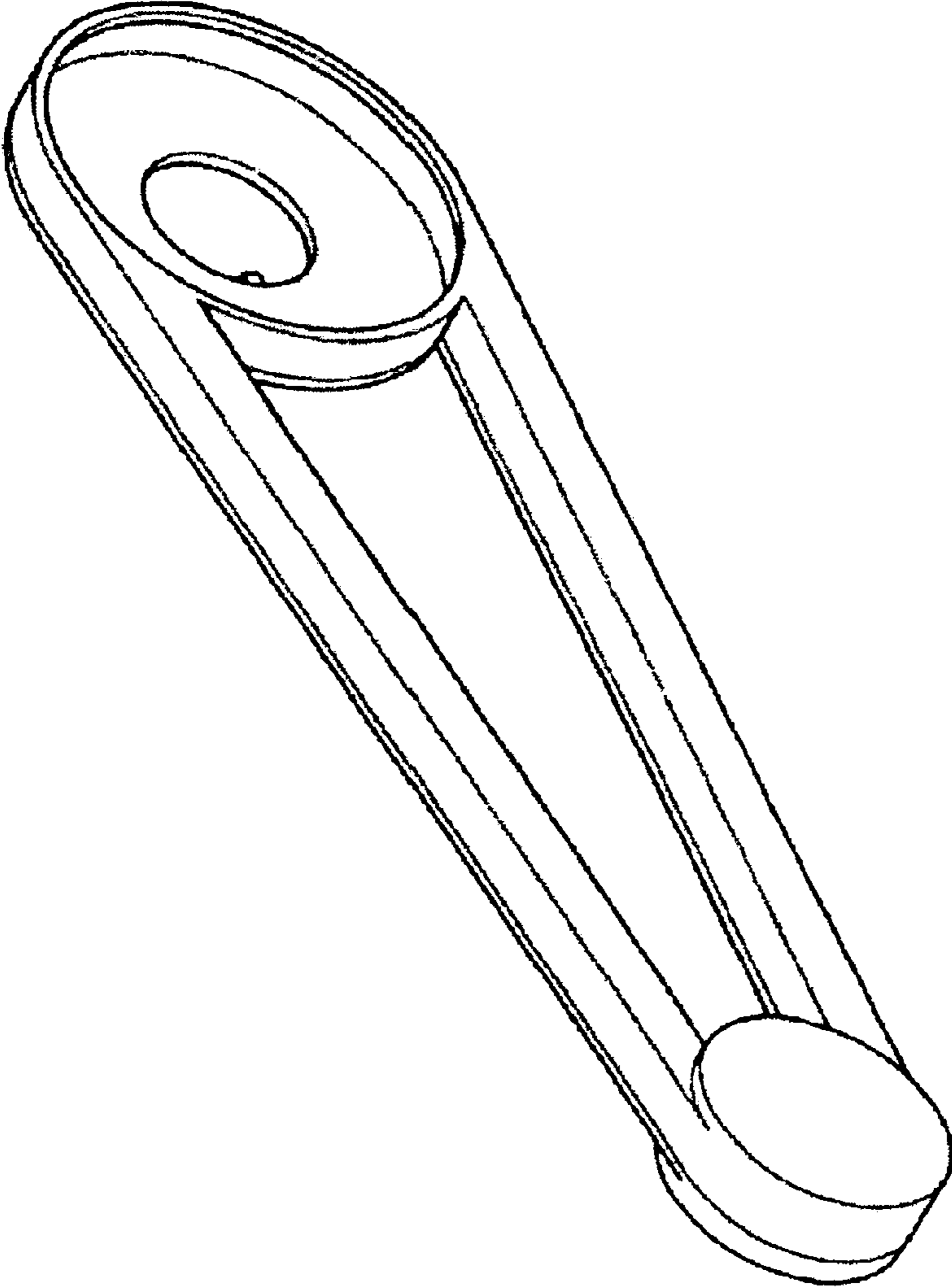


Fig. 1

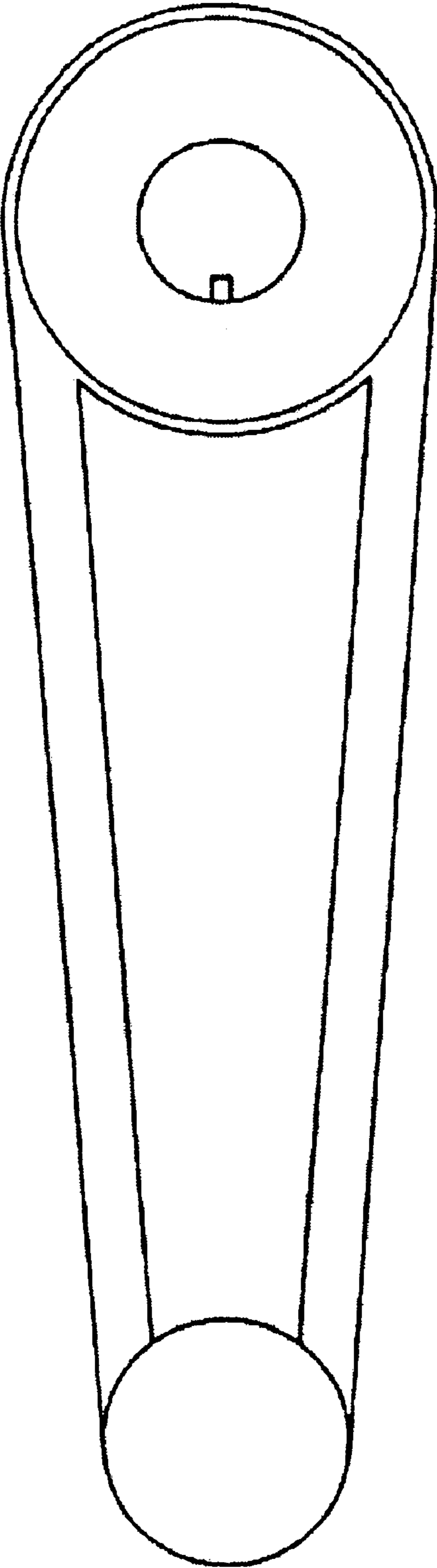


Fig. 2

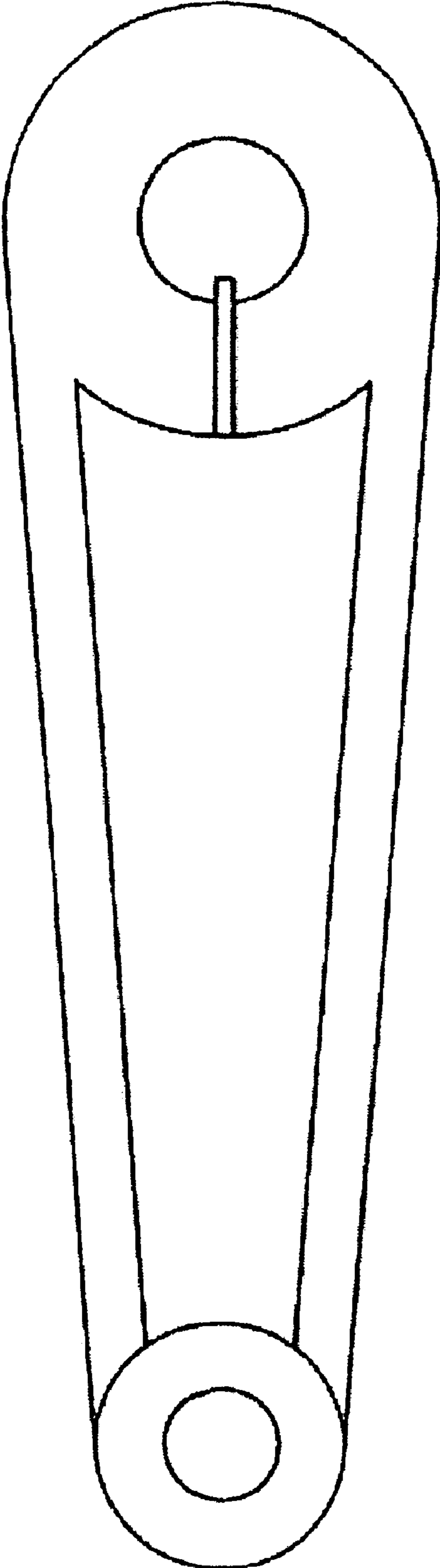


Fig. 3

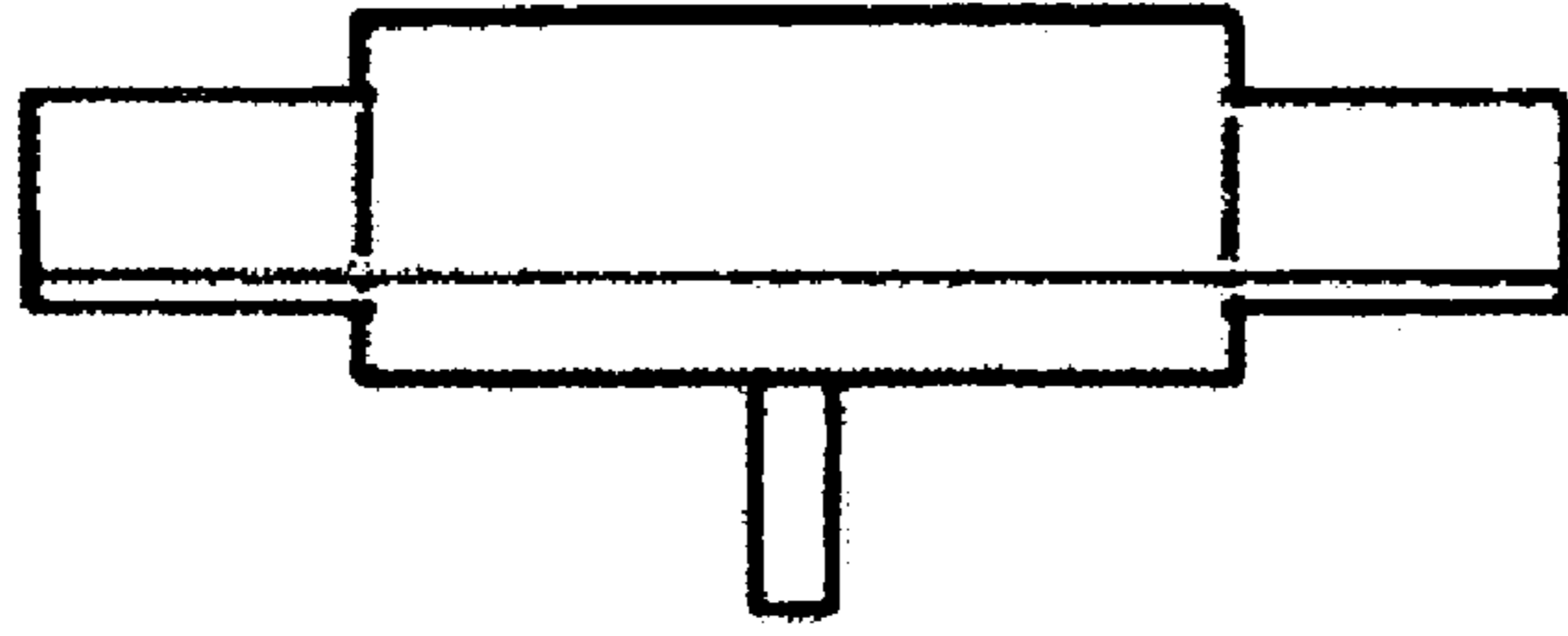


Fig. 5

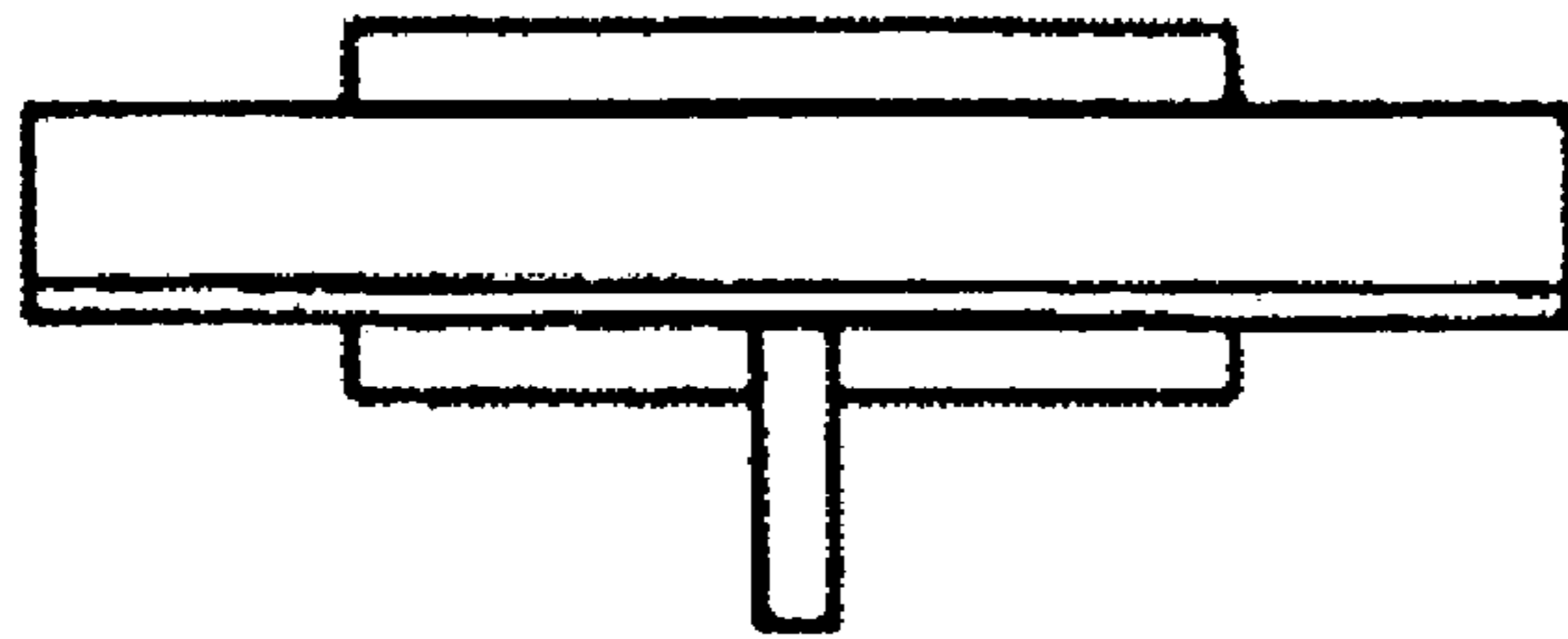


Fig. 4

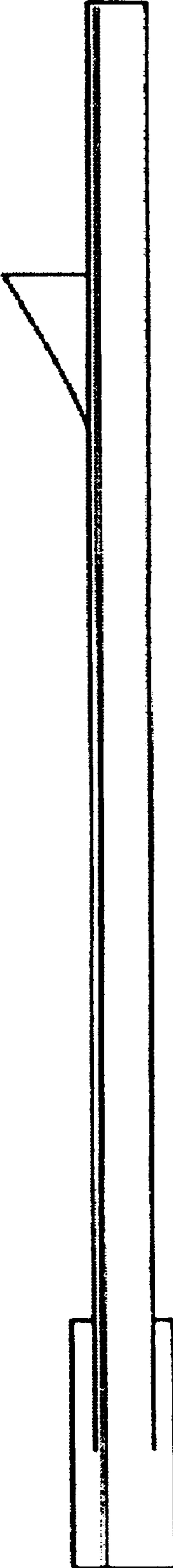


Fig. 6

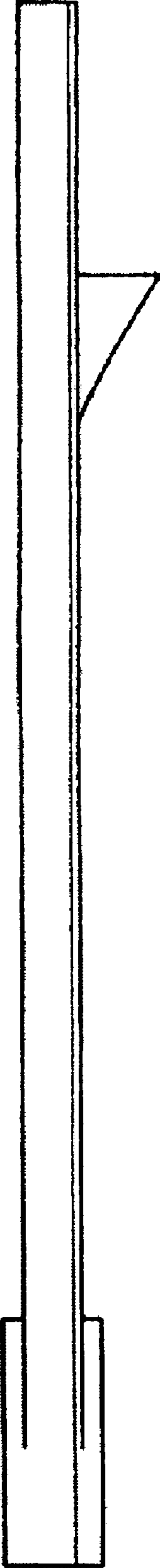


Fig. 7