

US00D507985S

(12) **United States Design Patent**
Sandberg

(10) **Patent No.:** **US D507,985 S**

(45) **Date of Patent:** **** Aug. 2, 2005**

(54) **EARRING**

(75) **Inventor:** **Sam Sandberg**, New York, NY (US)

(73) **Assignee:** **Sandberg & Sikorski Diamond Corp.**,
New York, NY (US)

(**) **Term:** **14 Years**

(21) **Appl. No.:** **29/189,147**

(22) **Filed:** **Aug. 29, 2003**

D245,591 S	*	8/1977	Rieger et al.	D11/44
D290,446 S	*	6/1987	Bulgari	D11/56
D415,711 S	*	10/1999	Pasquetti	D11/26
D422,527 S	*	4/2000	Pasquetti	D11/26
D440,519 S	*	4/2001	Versace	D11/78
D447,932 S	*	9/2001	Kelleghan	D8/356
6,324,868 B1	*	12/2001	Chen et al.	63/23
D455,670 S	*	4/2002	Kurylo	D11/81
D455,975 S	*	4/2002	Deorah	D11/40
D466,827 S	*	12/2002	Fornas	D11/79
D485,204 S	*	1/2004	Sandberg	D11/43

* cited by examiner

Related U.S. Application Data

(62) Division of application No. 29/175,946, filed on Feb. 13, 2003, now Pat. No. Des. 485,204.

(51) **LOC (8) Cl.** **11-01**

(52) **U.S. Cl.** **D11/43; D11/56**

(58) **Field of Search** D11/1-3, 6, 9-12,
D11/17, 22, 25, 26, 29, 34-35, 40-50,
53-79, 81, 94, 95, 103, 108; D8/356; 63/1.13,
12-13, 14.1-14.9, 20, 22-23, 26-28, 43,
55

Primary Examiner—Cathy Anne MacCormac

Assistant Examiner—Melanie Levy

(74) *Attorney, Agent, or Firm*—Jeffrey M. Kaden; Gottlieb,
Rackman & Reisman, P.C.

(57) **CLAIM**

The ornamental design for an earring, as shown and described.

DESCRIPTION

FIG. 1 is a front elevational view of an earring showing my new design;

FIG. 2 is a top elevational view thereof;

FIG. 3 is a side elevational view thereof;

FIG. 4 is a rear elevational view thereof; and,

FIG. 5 is a bottom elevational view thereof.

The broken lines are for illustrative purposes only and form no part of the claimed design.

(56) **References Cited**

U.S. PATENT DOCUMENTS

D22,150 S	*	1/1893	Nye	D11/56
D38,622 S	*	6/1907	Fishel	D11/56
D171,784 S	*	3/1954	Katz	D11/75
D218,192 S	*	7/1970	Mechanic	D11/56
D242,644 S	*	12/1976	Spruck	D11/44

1 Claim, 2 Drawing Sheets

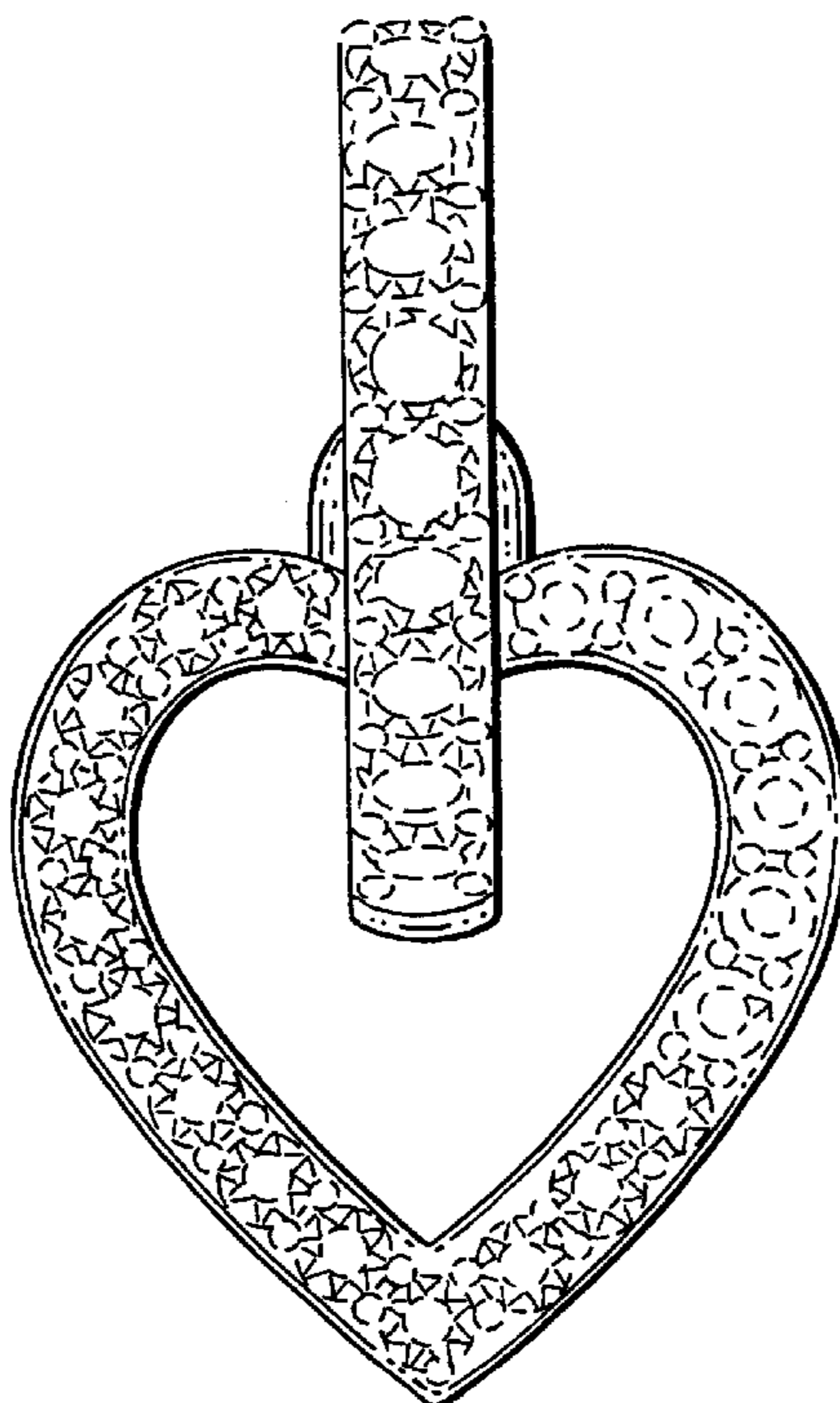


FIG. 1

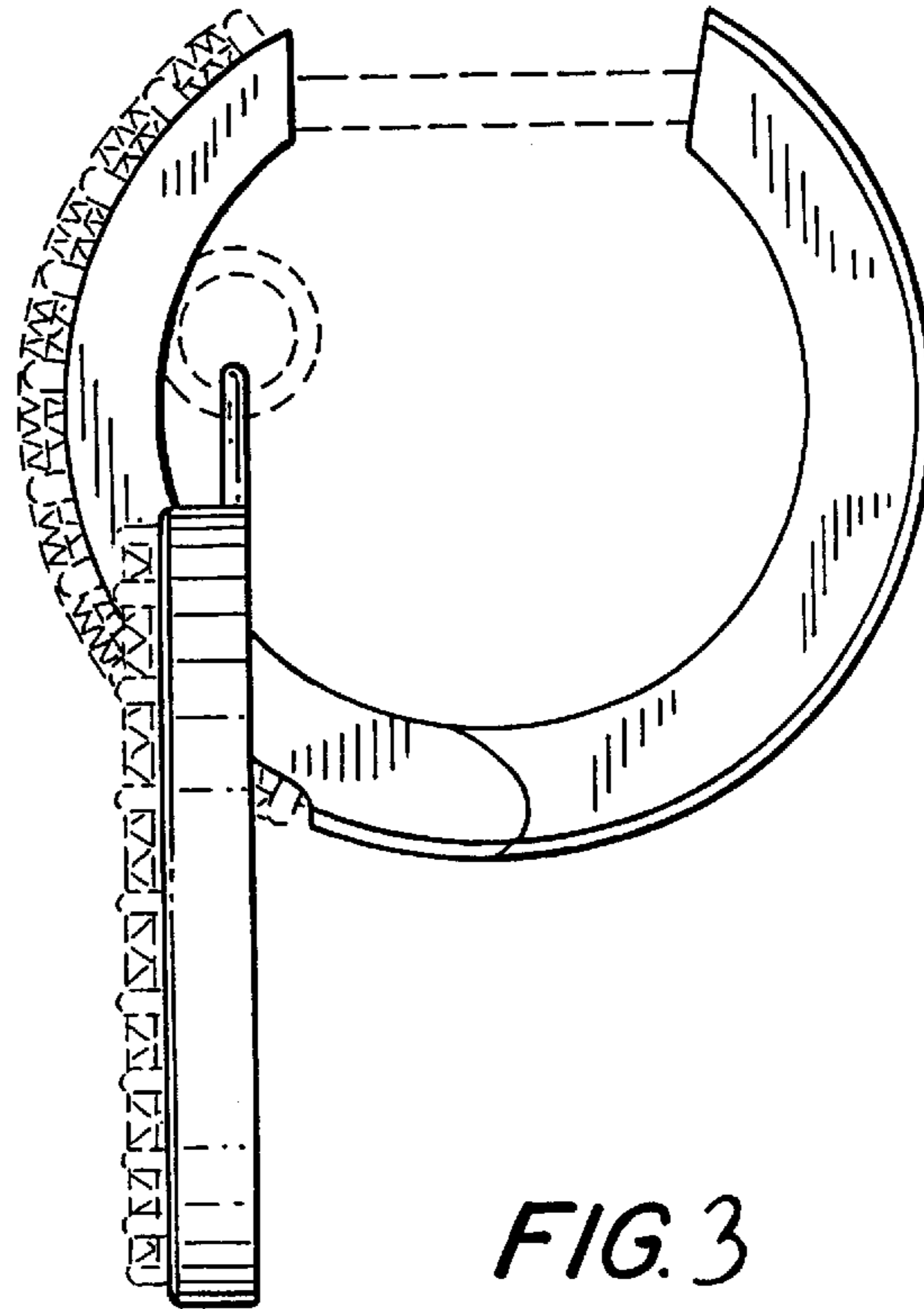
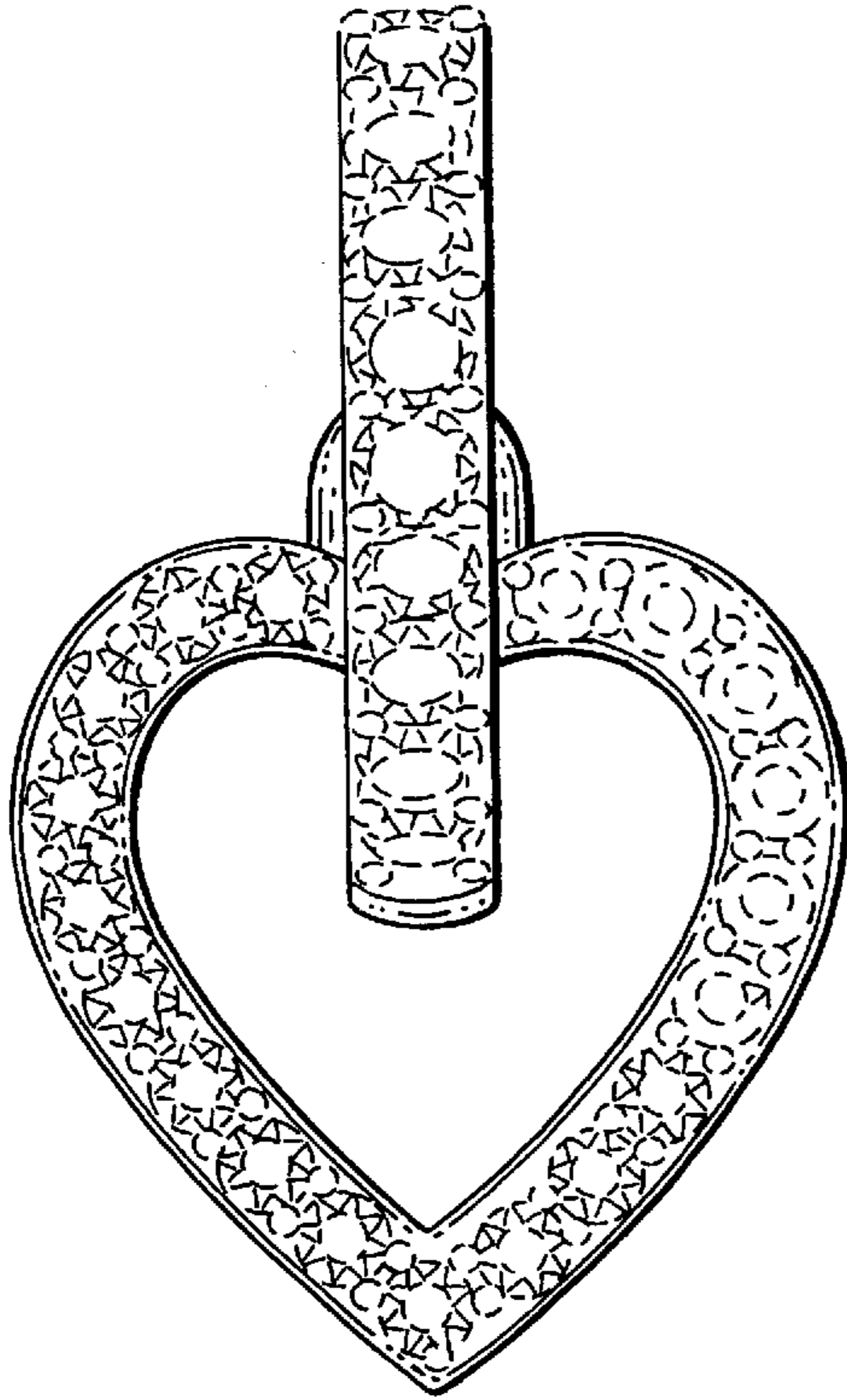


FIG. 3

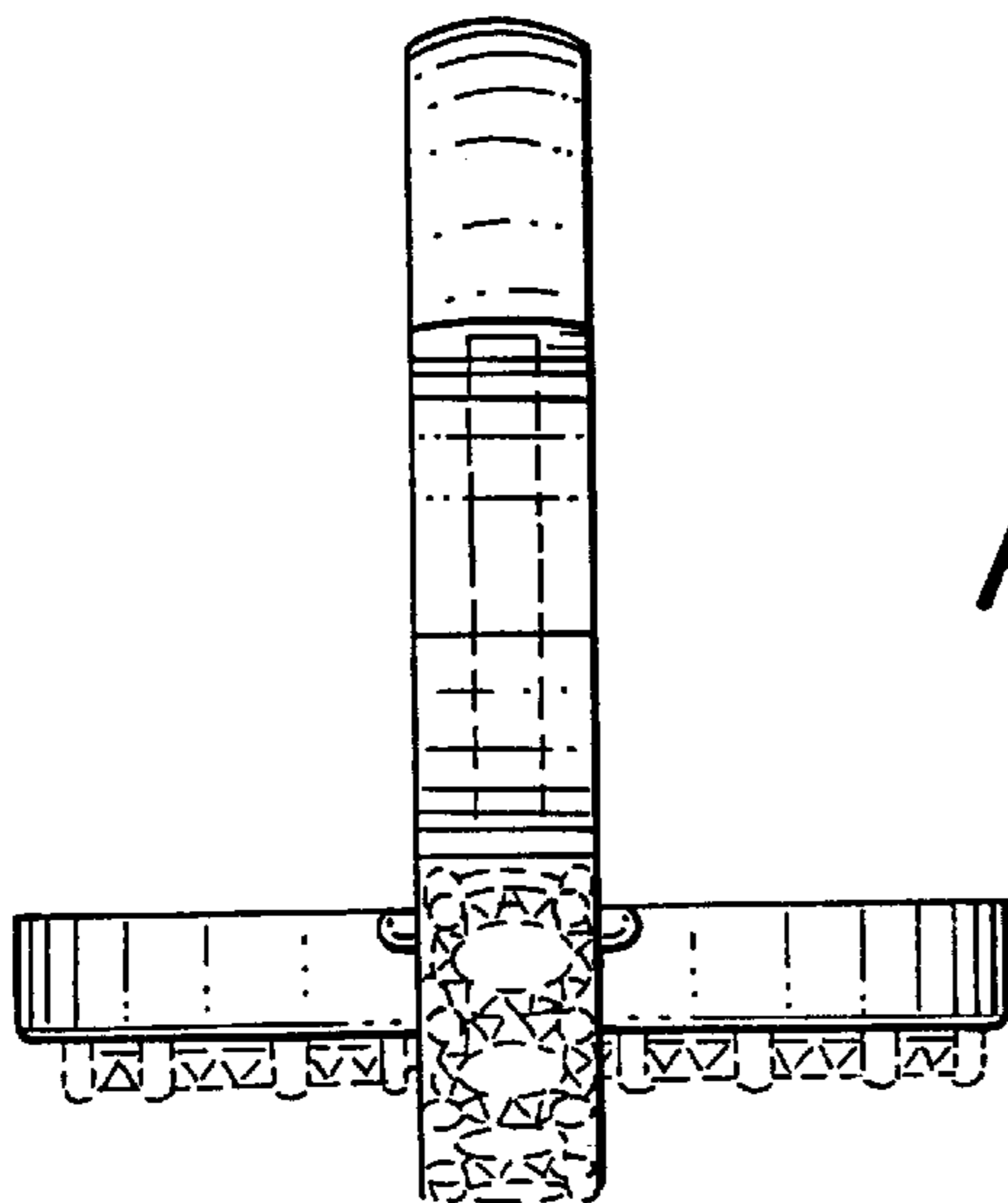


FIG. 2

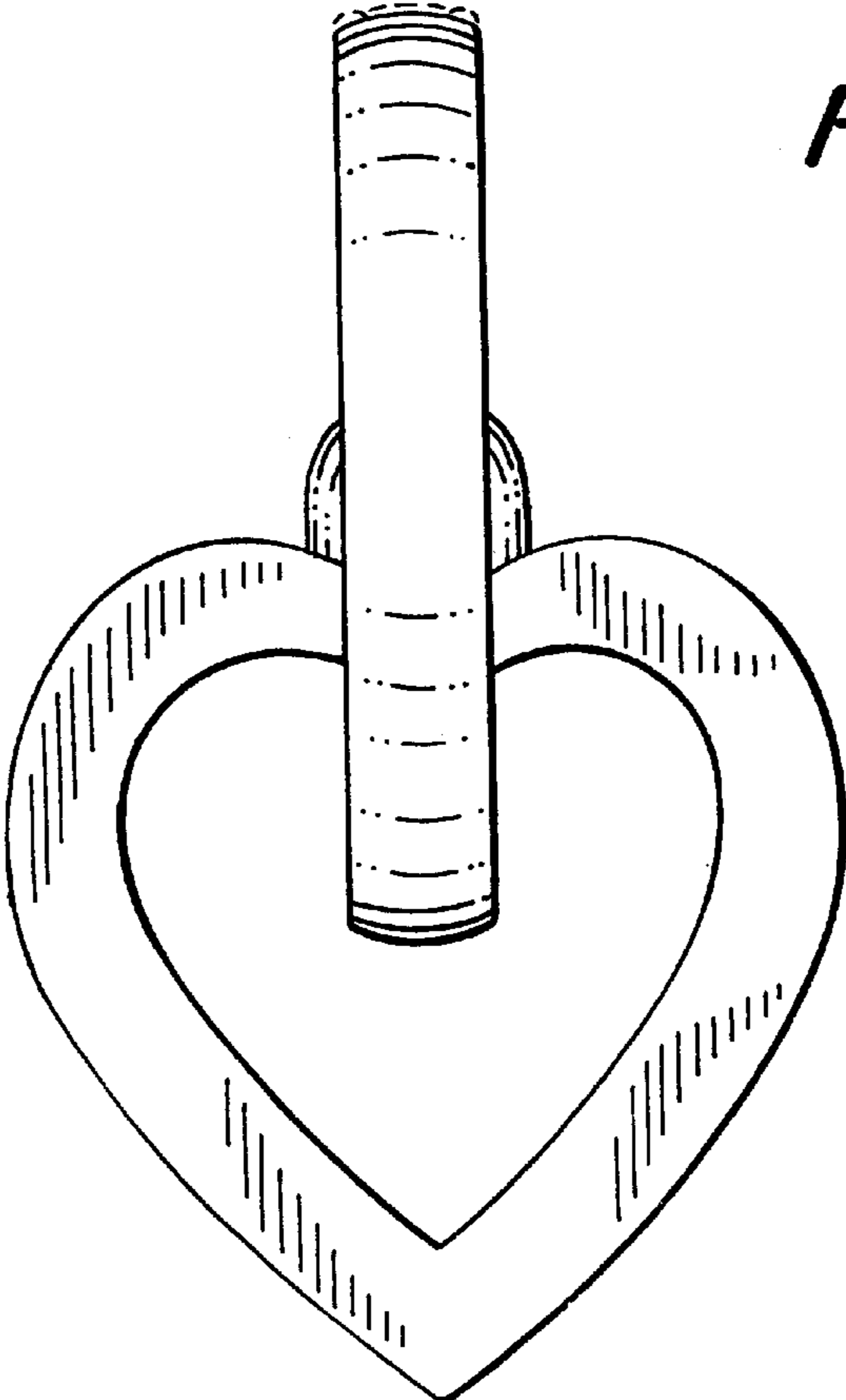


FIG. 4

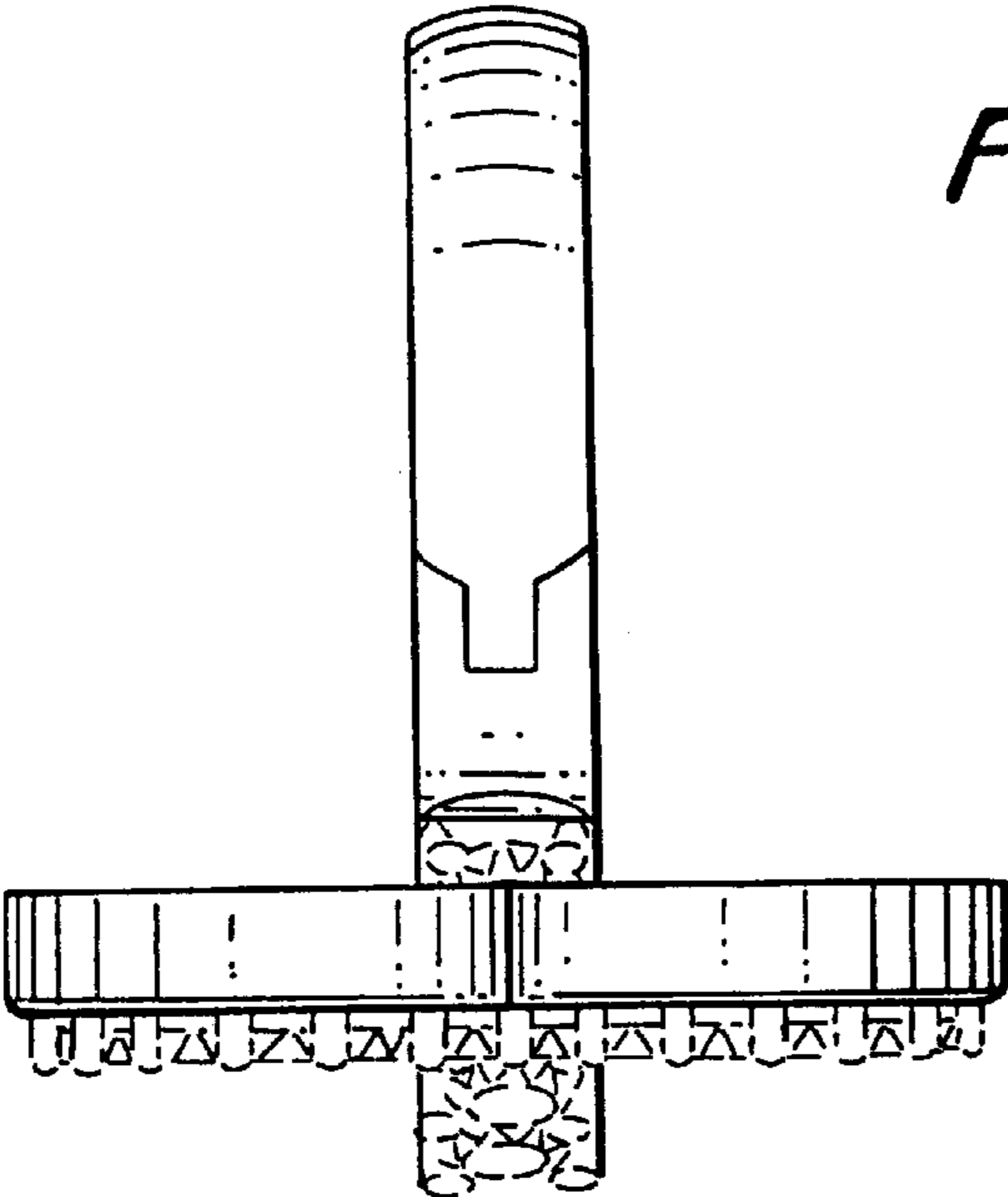


FIG. 5