

US00D507977S

(12) **United States Design Patent**  
**Welch et al.**

(10) **Patent No.: US D507,977 S**  
(45) **Date of Patent: \*\* Aug. 2, 2005**

(54) **THERMISTOR SENSOR PROBE**

(75) Inventors: **Richard E. Welch**, Lexington, OH (US); **Tung-Sheng Yang**, Mansfield, OH (US); **William E. Miller**, Centerburg, OH (US)

(73) Assignee: **Therm-O-Disc, Incorporated**, Mansfield, OH (US)

(\*\*) Term: **14 Years**

(21) Appl. No.: **29/204,868**

(22) Filed: **May 5, 2004**

(51) **LOC (8) Cl.** ..... **10-04**

(52) **U.S. Cl.** ..... **D10/57**

(58) **Field of Search** ..... D10/57; 73/75; 123/41.05; 219/721, 719, 506; 338/22 R, 28; 340/606, 622; 374/45, 155; 604/916; 606/13, 27, 99, 105

(56) **References Cited**

**PUBLICATIONS**

*Thermodisc Product Catalog*, Jun. 2003, pp. 94–96, 115–116, 153–191.\*

Thermodisc Bulletin No. 96J “96J Series Tuff-Sensor™ Thermistor Probes.” (date unknown).\*

\* cited by examiner

*Primary Examiner*—Antoine D. Davis

(74) *Attorney, Agent, or Firm*—Harness, Dickey & Pierce, PLC

(57) **CLAIM**

The ornamental design for a thermistor sensor probe, as shown and described.

**DESCRIPTION**

FIG. 1 is a perspective view of a thermistor sensor probe constructed in accordance with the new design;

FIG. 2 is a top view thereof (the bottom view being identical);

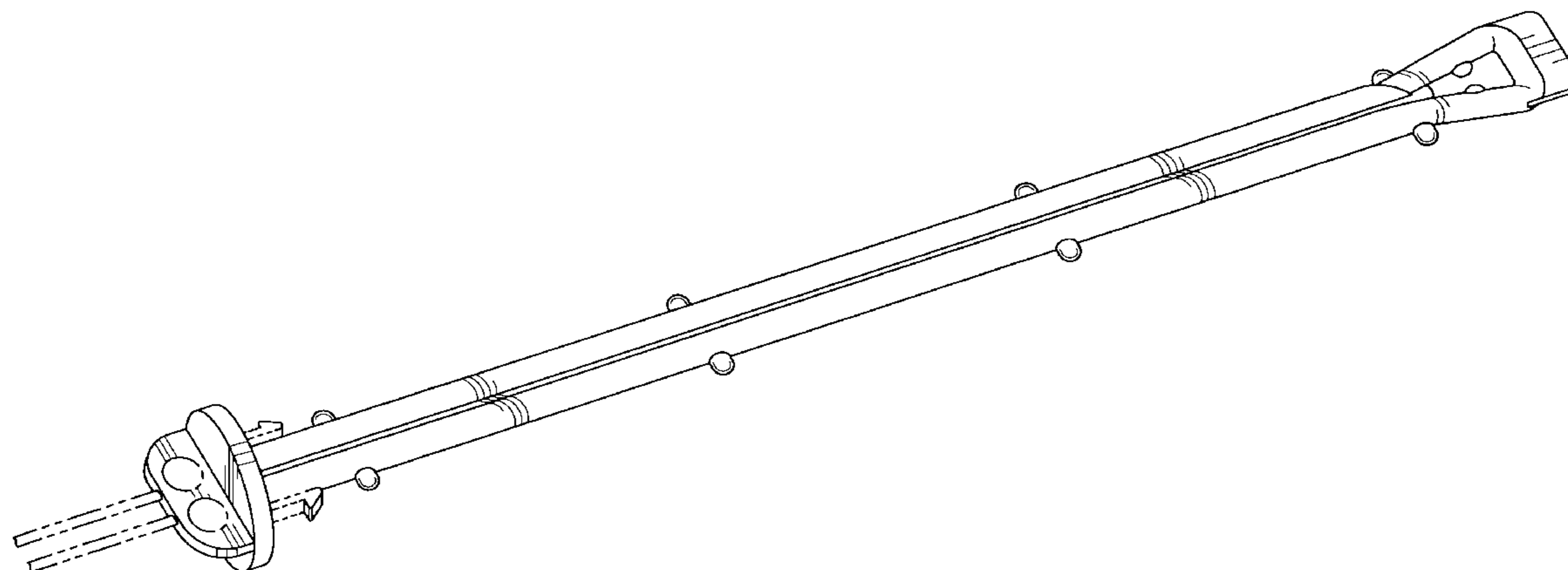
FIG. 3 is a front view thereof (the back view being identical);

FIG. 4 is a right side view thereof; and,

FIG. 5 is a left side view thereof.

It should be further understood that the broken lines showing in Figures are for illustrative purposes only, and form no part of the subject invention.

**1 Claim, 2 Drawing Sheets**



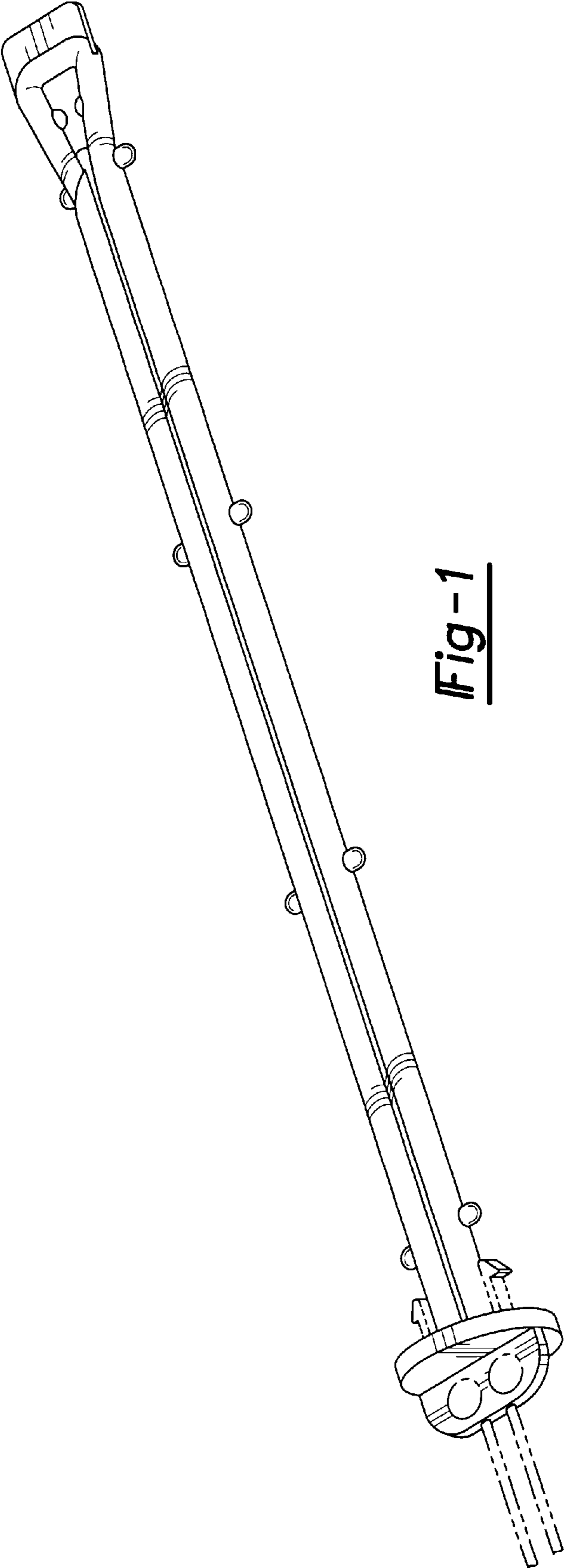


Fig-1

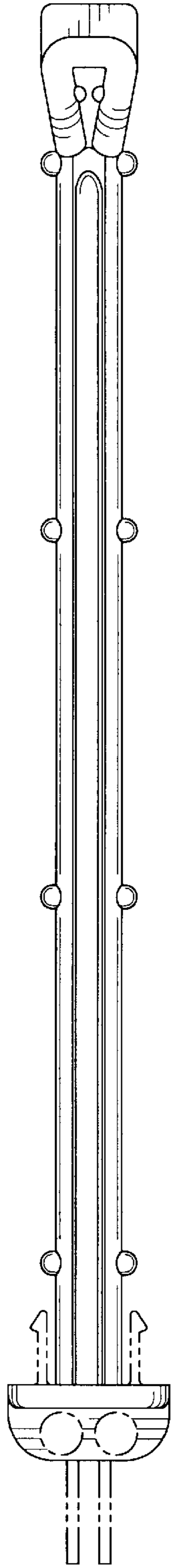


Fig-2

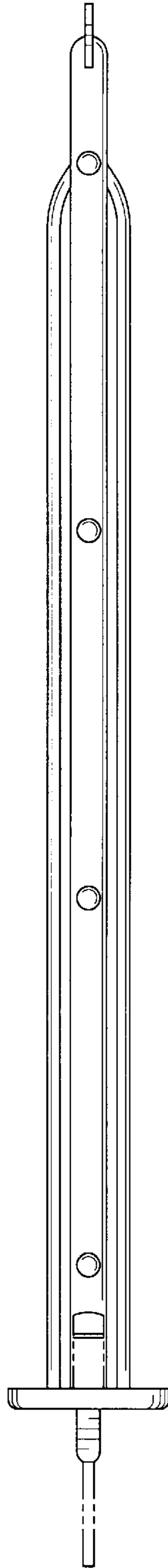


Fig-3

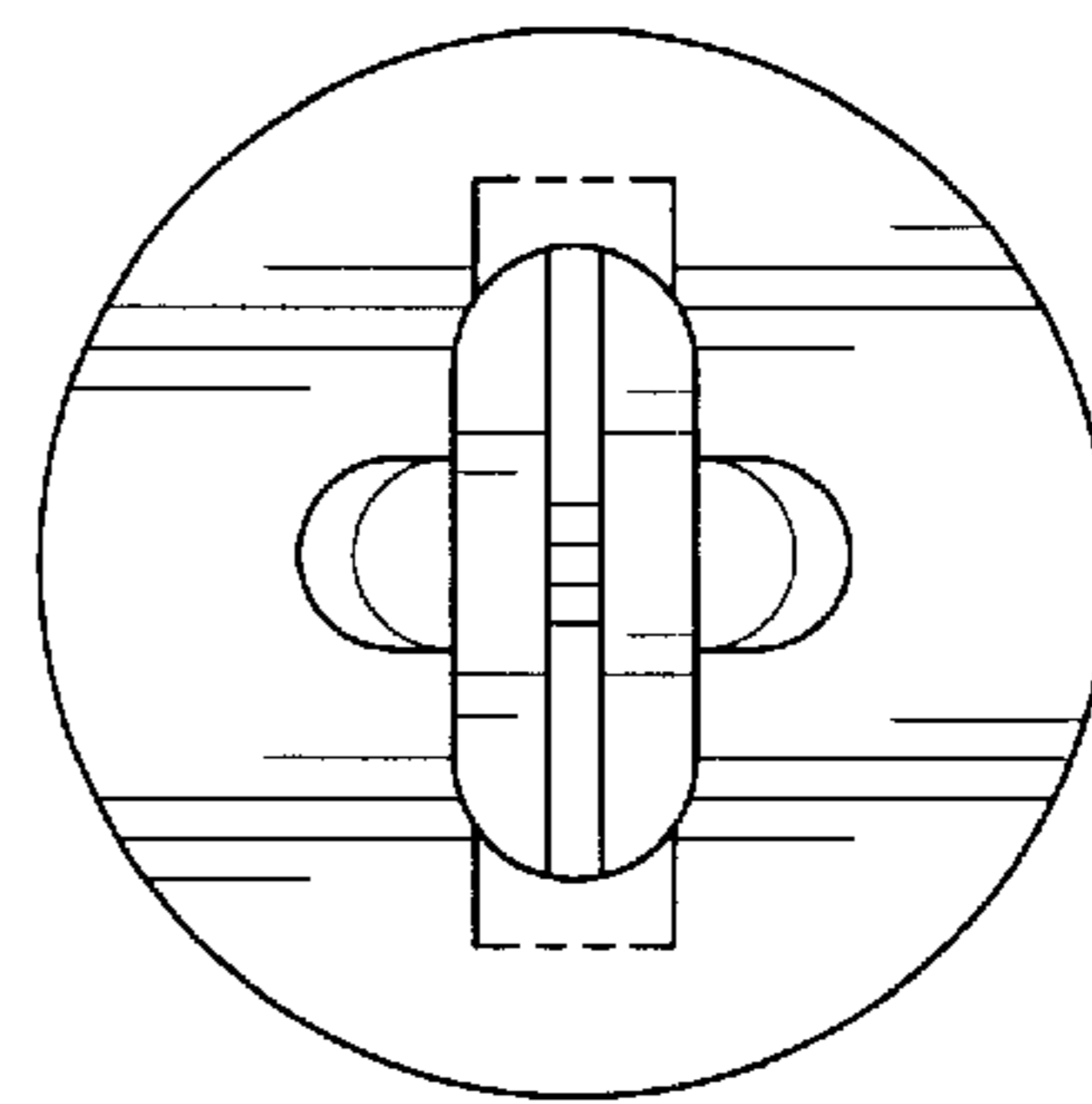


Fig-4

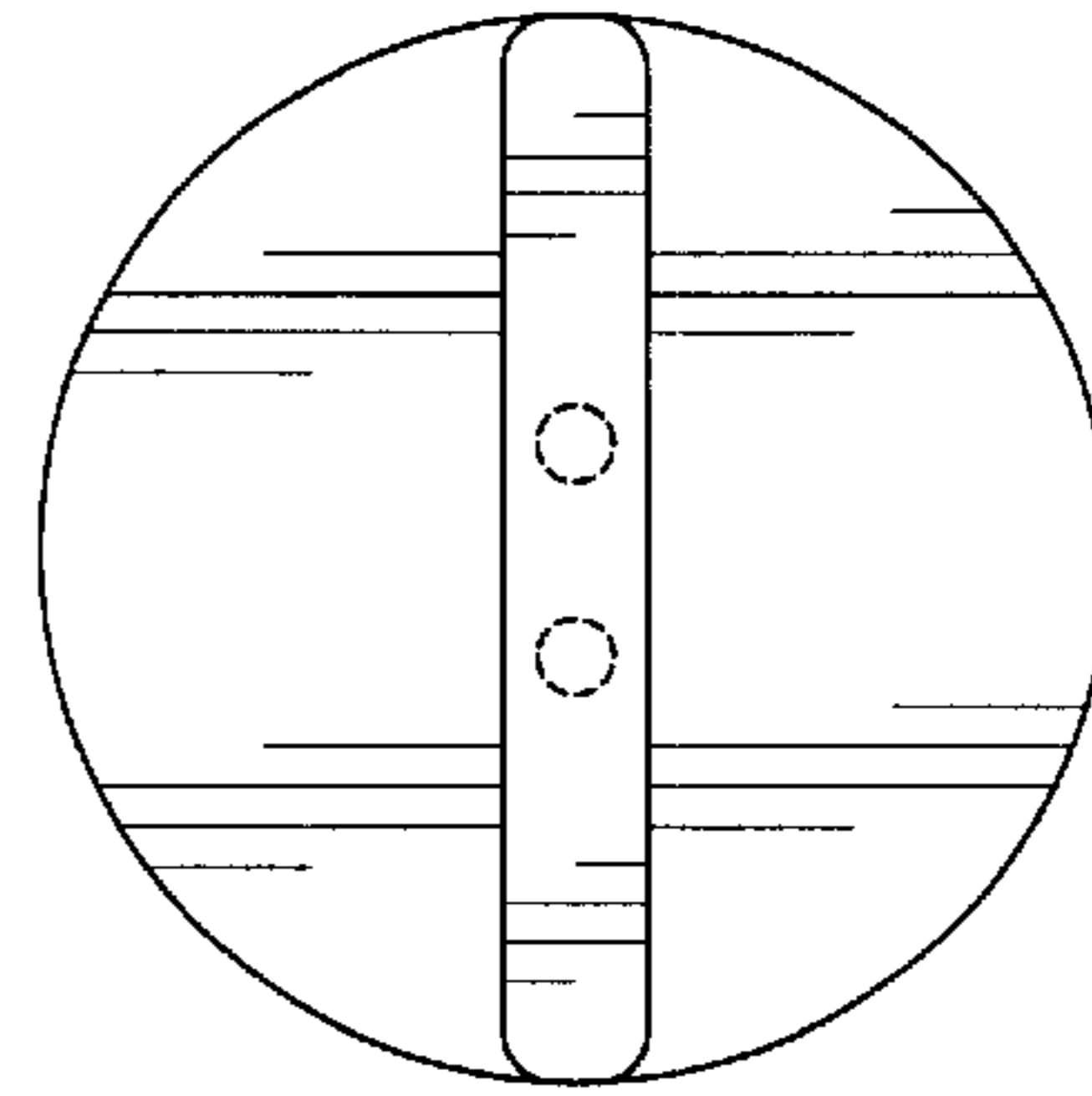


Fig-5

UNITED STATES PATENT AND TRADEMARK OFFICE  
**CERTIFICATE OF CORRECTION**

PATENT NO. : Des. 507,977 S  
DATED : August 2, 2005  
INVENTOR(S) : Richard E. Welch et al.

Page 1 of 1

It is certified that error appears in the above-identified patent and that said Letters Patent is hereby corrected as shown below:

Title page.

Item [56], **References Cited**, OTHER PUBLICATIONS, please insert -- Thermodisc Midwest Components Products Group brochure, 1997, pp. 14-16 --.

Signed and Sealed this

Eighth Day of November, 2005

A handwritten signature in black ink on a light gray dotted background. The signature reads "Jon W. Dudas" in a cursive style.

JON W. DUDAS

*Director of the United States Patent and Trademark Office*