

US00D507976S

(12) **United States Design Patent**
Roher et al.

(10) **Patent No.:** **US D507,976 S**

(45) **Date of Patent:** **** Aug. 2, 2005**

(54) **CONTROL DEVICE**

(75) Inventors: **Michael Allen Roher**, Fort Wayne, IN (US); **Chad M. Johnson**, Carmel, IN (US); **Rajendra K. Shah**, Indianapolis, IN (US); **Mark James Fisher**, Highland Park, IL (US); **Mark Alexander Jones**, Evanston, IL (US); **Shu Kun Chang**, Evanston, IL (US)

(73) Assignee: **Carrier Corporation**, Farmington, CT (US)

(**) Term: **14 Years**

(21) Appl. No.: **29/200,428**

(22) Filed: **Feb. 27, 2004**

(51) **LOC (8) Cl.** **10-04**

(52) **U.S. Cl.** **D10/50**

(58) **Field of Search** D10/50; 236/46 R, 236/47, 49.3, 78 R, 94 D, 94, 1 C; 337/345, 392, 398

(56) **References Cited**

U.S. PATENT DOCUMENTS

5,107,918 A * 4/1992 McFarlane et al. 236/46 R

D403,972 S * 1/1999 Gaskell et al. D10/50
5,934,554 A * 8/1999 Charles et al. 236/46 R
6,460,774 B2 * 10/2002 Sumida et al. 236/94

* cited by examiner

Primary Examiner—Antoine D. Davis

(57) **CLAIM**

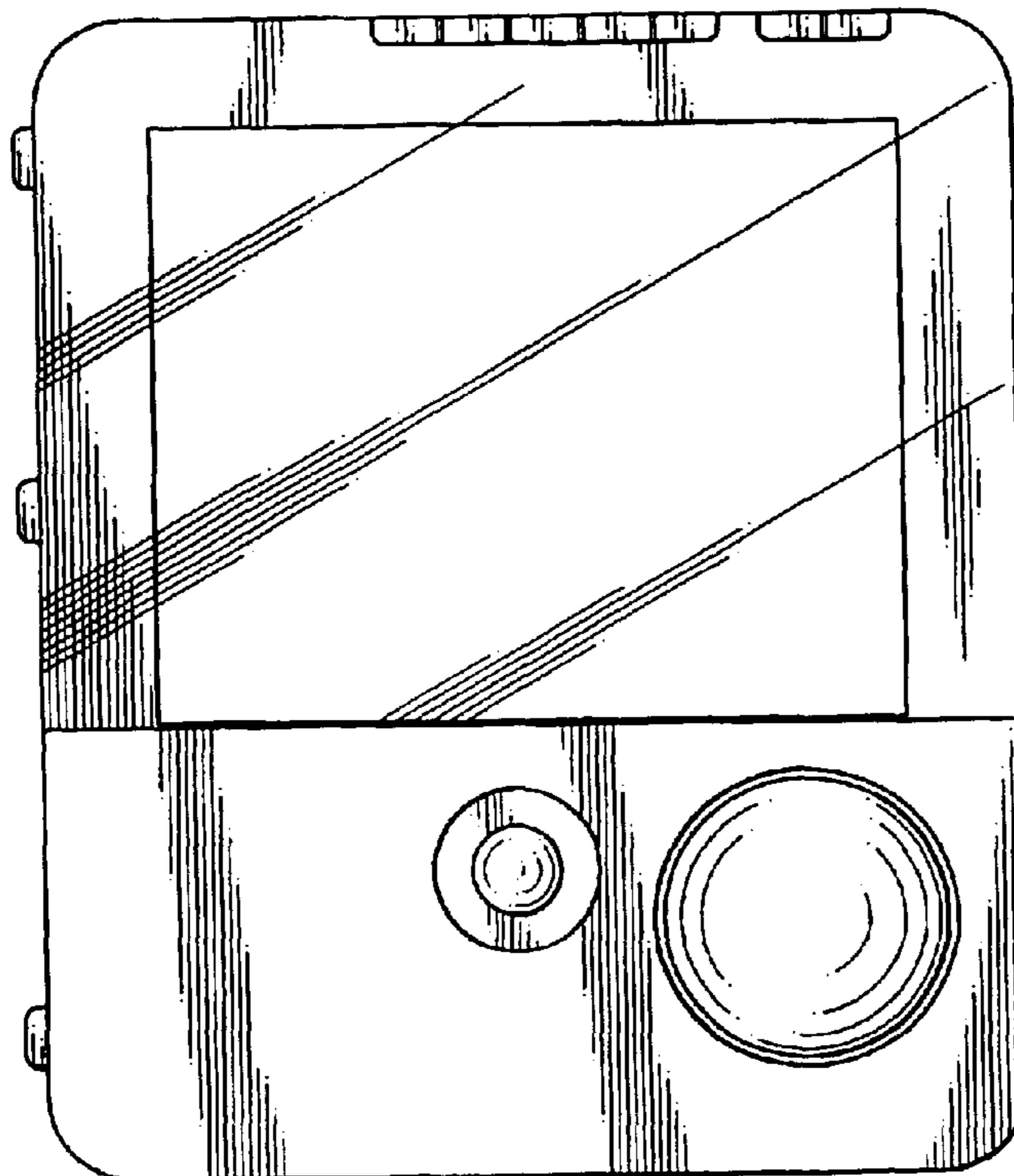
The ornamental design for a control device, as shown and described.

DESCRIPTION

The present design is embodied in a control device for use in heating, ventilating and air conditioning systems.

FIG. 1 is a front elevational view of the control device; FIG. 2 is a top elevational view of the control device; FIG. 3 is a bottom elevational view of the control device; FIG. 4 is a left side elevational view of the control device; FIG. 5 is a right side elevational view of the control device; FIG. 6 is a front elevational view of the control device when a front cover is rotated about a hinge to reveal an interior control panel; FIG. 7 is a front elevation view of the control device shown in a condition of use; and, FIG. 8 is a perspective view illustrating the front, top, and right sides of the control device.

1 Claim, 3 Drawing Sheets



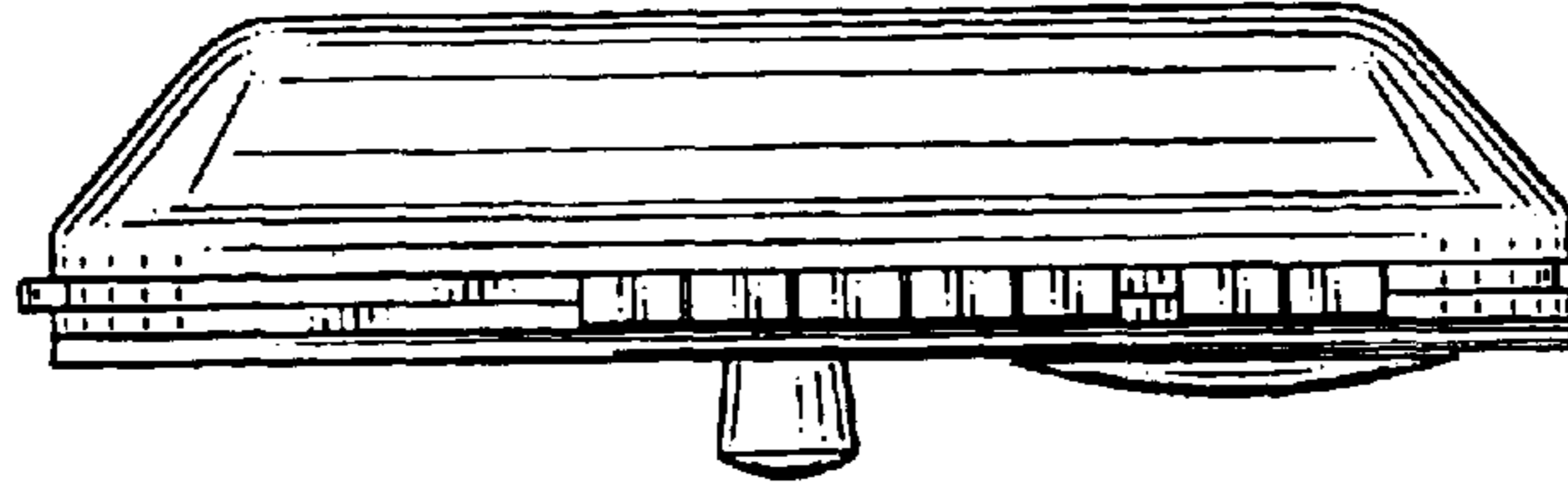


FIG. 2

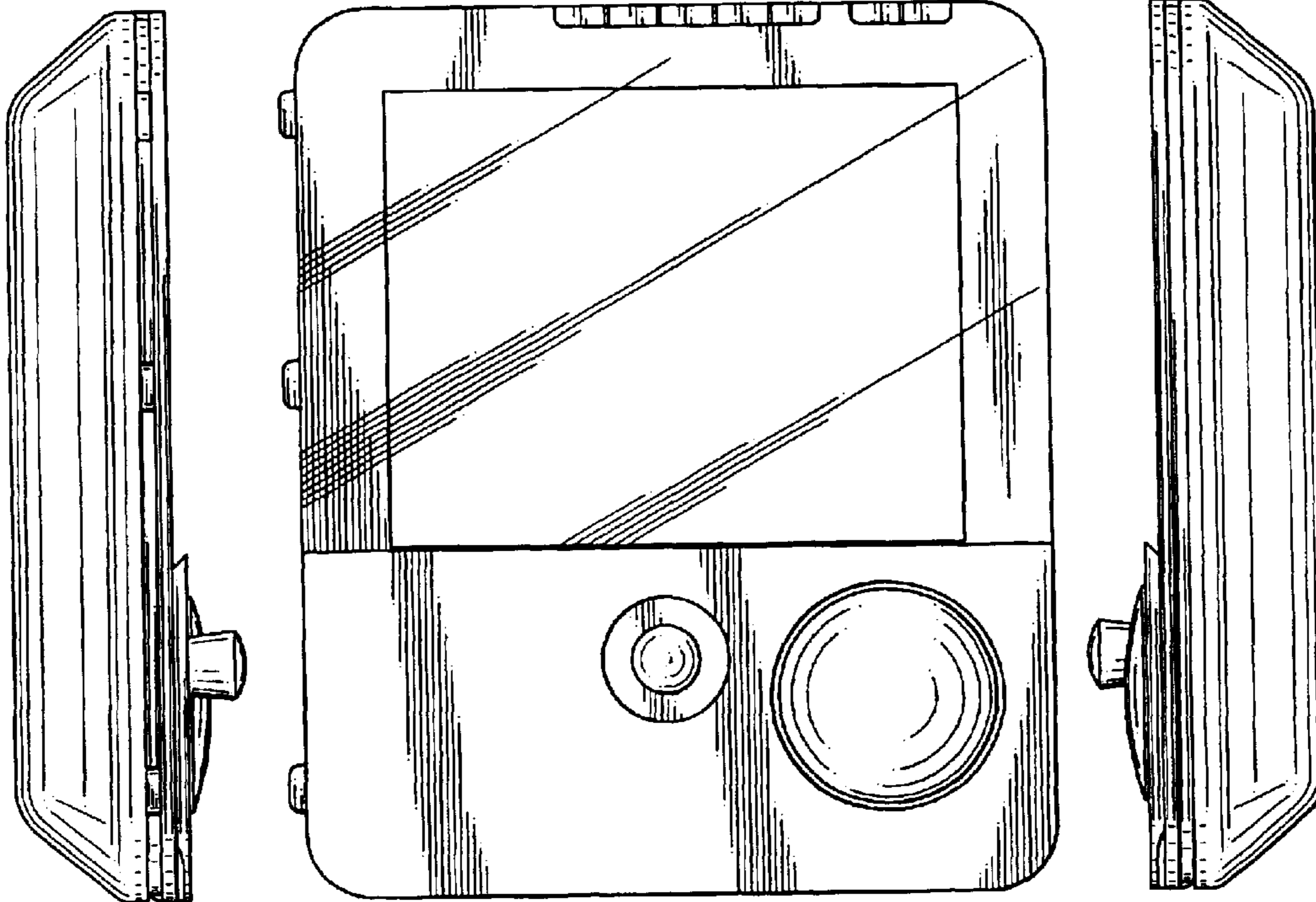


FIG. 1

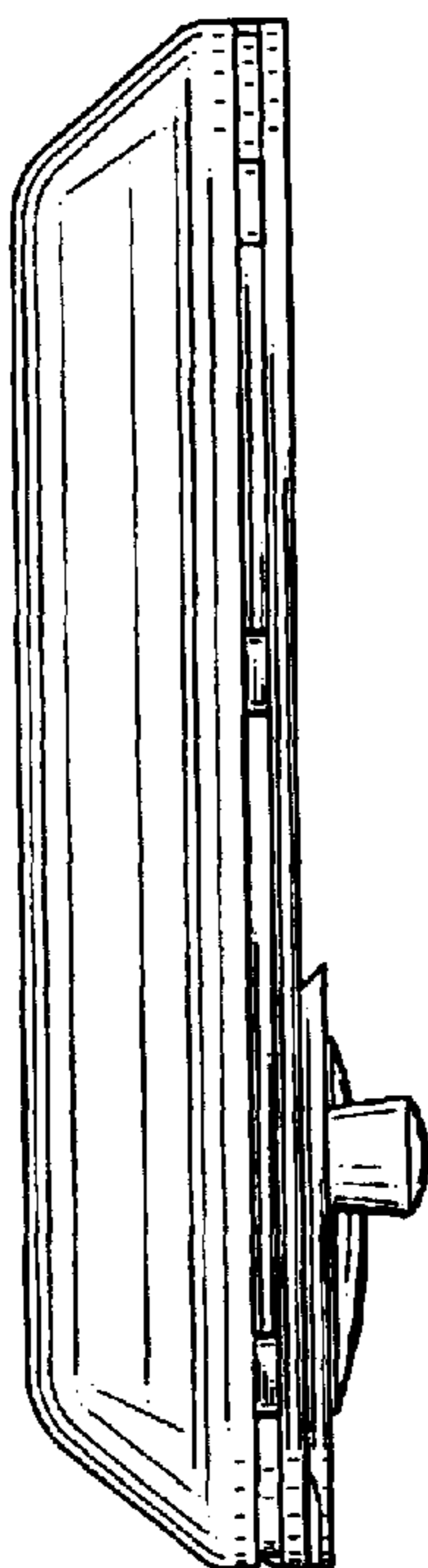


FIG. 4



FIG. 5

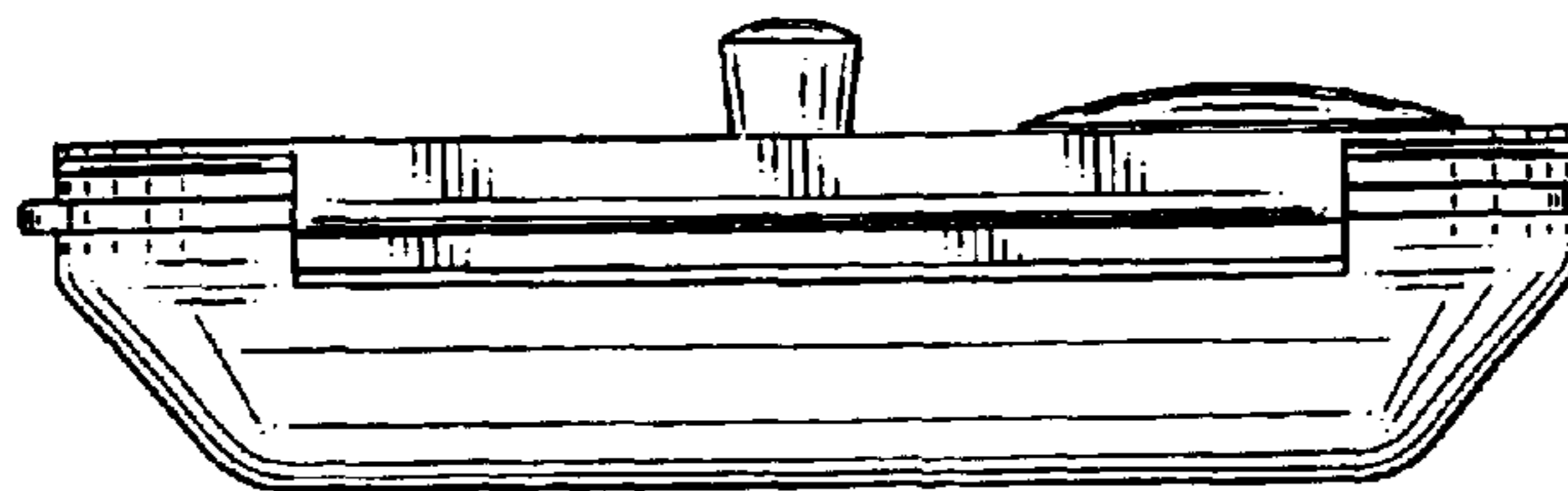


FIG. 3

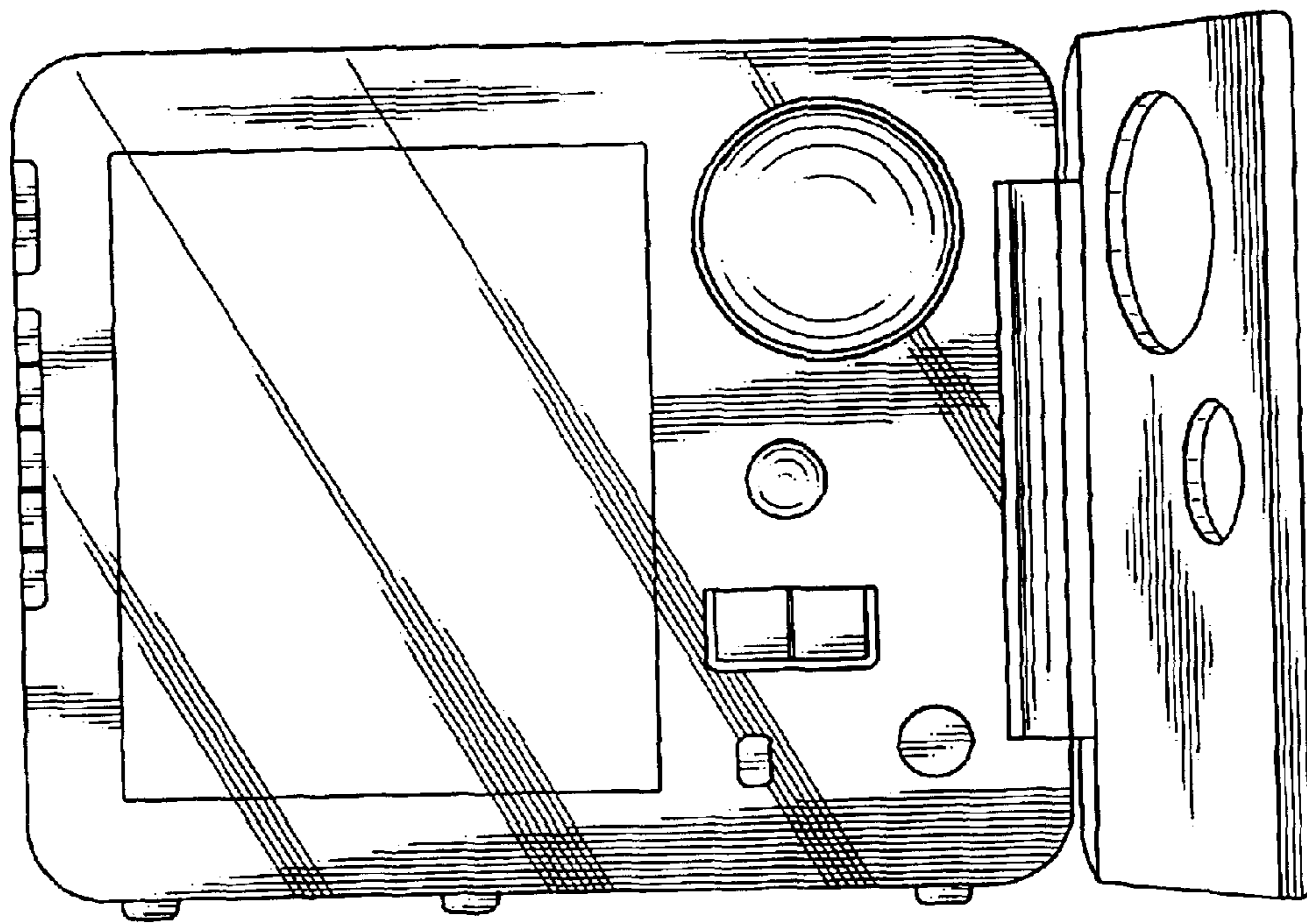


FIG. 6

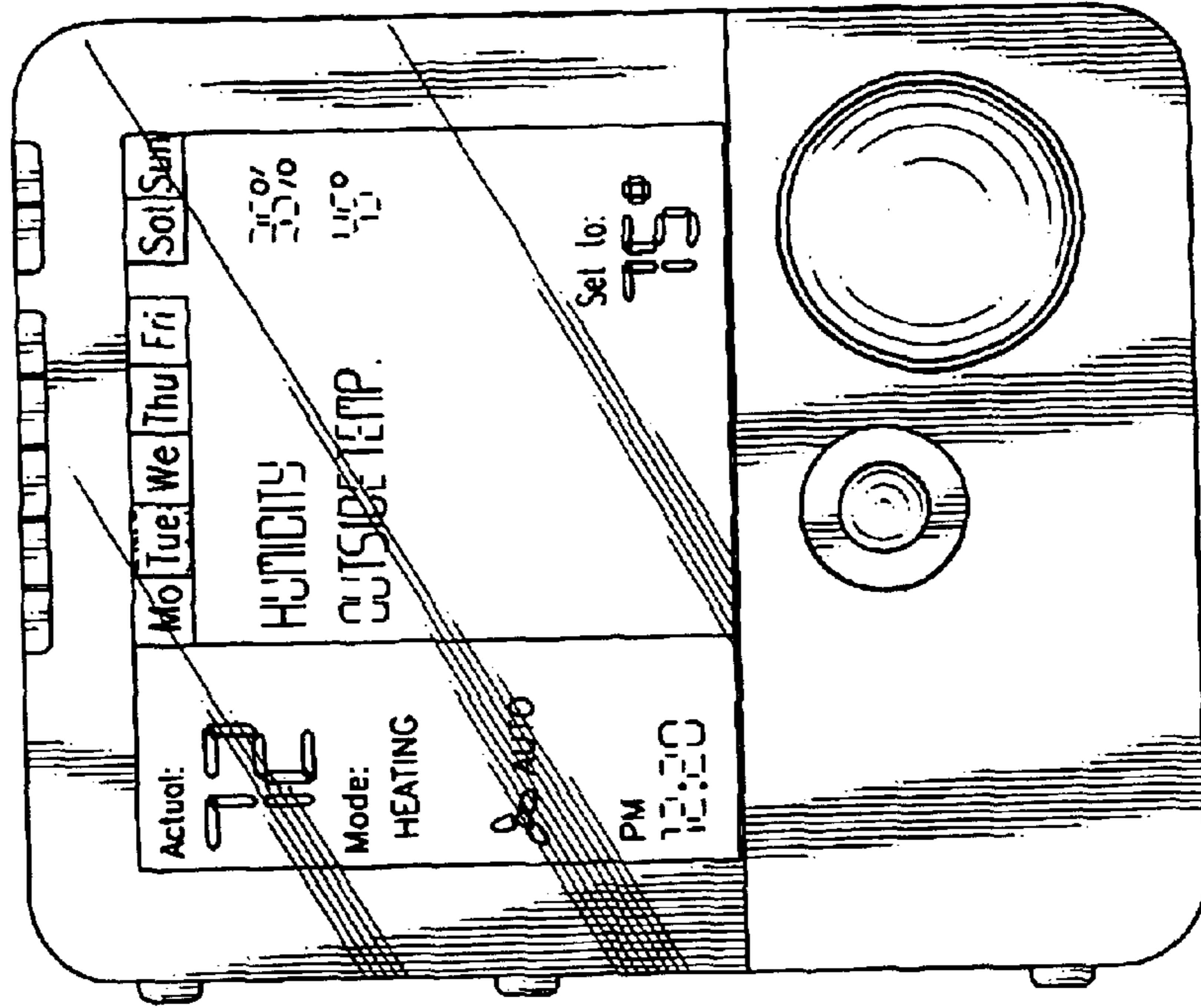


FIG. 7

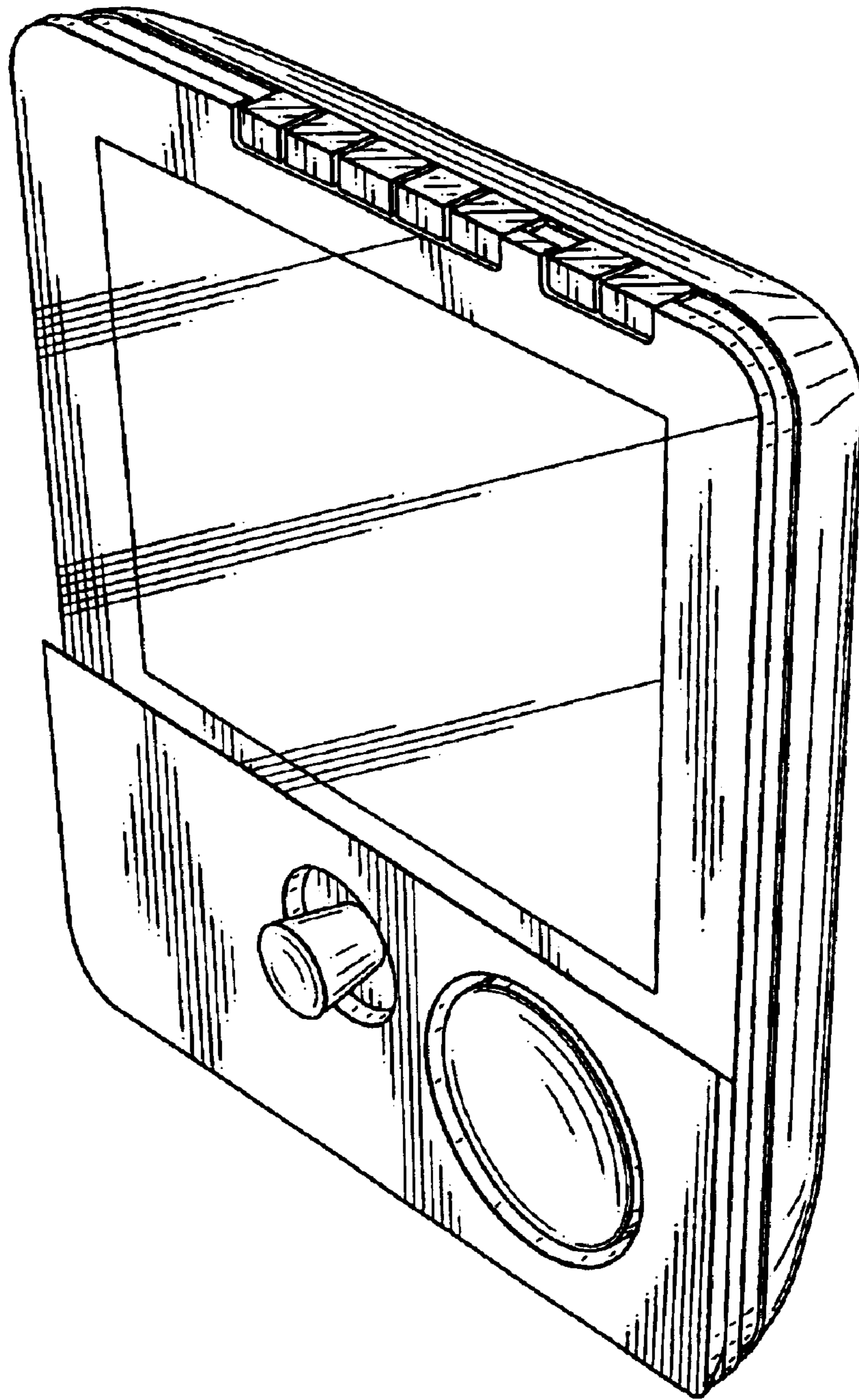


FIG.8