

US00D507971S

(12) **United States Design Patent**
Harris et al.

(10) **Patent No.:** **US D507,971 S**
(45) **Date of Patent:** **** Aug. 2, 2005**

(54) **LABEL PANEL**
(75) Inventors: **Ivan Harris**, Ypsilanti, MI (US);
Shriram Venkataraman, Danbury, CT
(US)
(73) Assignee: **Ancor Limited**, Abbotsford Victoria
(AU)
(**) Term: **14 Years**

D446,458 S * 8/2001 Gans D9/538
D465,158 S * 11/2002 Peek et al. D9/538
D466,414 S * 12/2002 Venkataraman et al. D9/538
D468,213 S 1/2003 Moore et al.
D472,815 S 4/2003 Zhang et al.
D480,315 S 10/2003 Sadeghi et al.
D485,765 S * 1/2004 Thierjung et al. D9/538
D494,475 S * 8/2004 Thierjung et al. D9/538
D495,601 S * 9/2004 Klemm et al. D9/516

* cited by examiner

(21) Appl. No.: **29/189,622**
(22) Filed: **Sep. 8, 2003**

Primary Examiner—Carol Rademaker
(74) *Attorney, Agent, or Firm*—Harness, Dickey & Pierce,
P.L.C.

(51) **LOC (8) Cl.** **09-01**
(52) **U.S. Cl.** **D9/516; D9/541**
(58) **Field of Search** D9/516, 530, 537–543,
D9/545–546, 549–550, 556, 558–559, 563,
569, 574–575; 215/381–385, 396, 398,
400

(57) **CLAIM**

The ornamental design for a label panel, as shown and described.

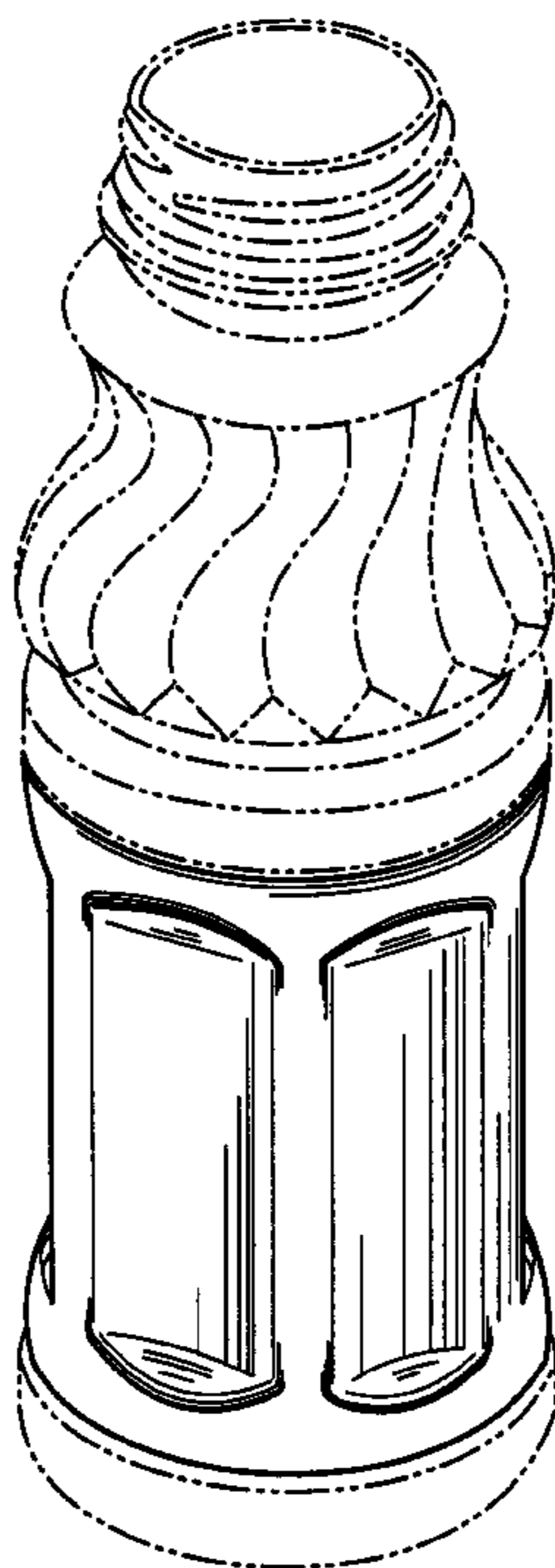
DESCRIPTION

FIG. 1 is a front perspective view of a container having a label panel showing our new design;
FIG. 2 is a front elevational view of the container having the label panel shown in FIG. 1, the rear, left side and right side elevational views being identical;
FIG. 3 is a cross-sectional view of the label panel along line 3—3 of FIG. 2;
FIG. 4 is a cross-sectional view of the label panel along line 4—4 of FIG. 2; and,
FIG. 5 is a cross-sectional view of the label panel along line 5—5 of FIG. 2.
The broken lines are for environmental purposes only and form no part of the claimed design.

(56) **References Cited**
U.S. PATENT DOCUMENTS

D212,276 S * 9/1968 Lodding D9/538
D294,462 S * 3/1988 Ota et al. D9/556
4,805,788 A * 2/1989 Akiho 215/381
4,907,709 A * 3/1990 Abe et al. 215/252
D309,102 S * 7/1990 Wild D9/560
D348,006 S * 6/1994 Feen D9/552
5,704,503 A * 1/1998 Krishnakumar et al. 215/381
D423,939 S 5/2000 Ogg
D441,641 S * 5/2001 Piccioli et al. D9/667
D442,493 S 5/2001 Bretz et al.
D445,693 S * 7/2001 Rashid D9/538

1 Claim, 2 Drawing Sheets



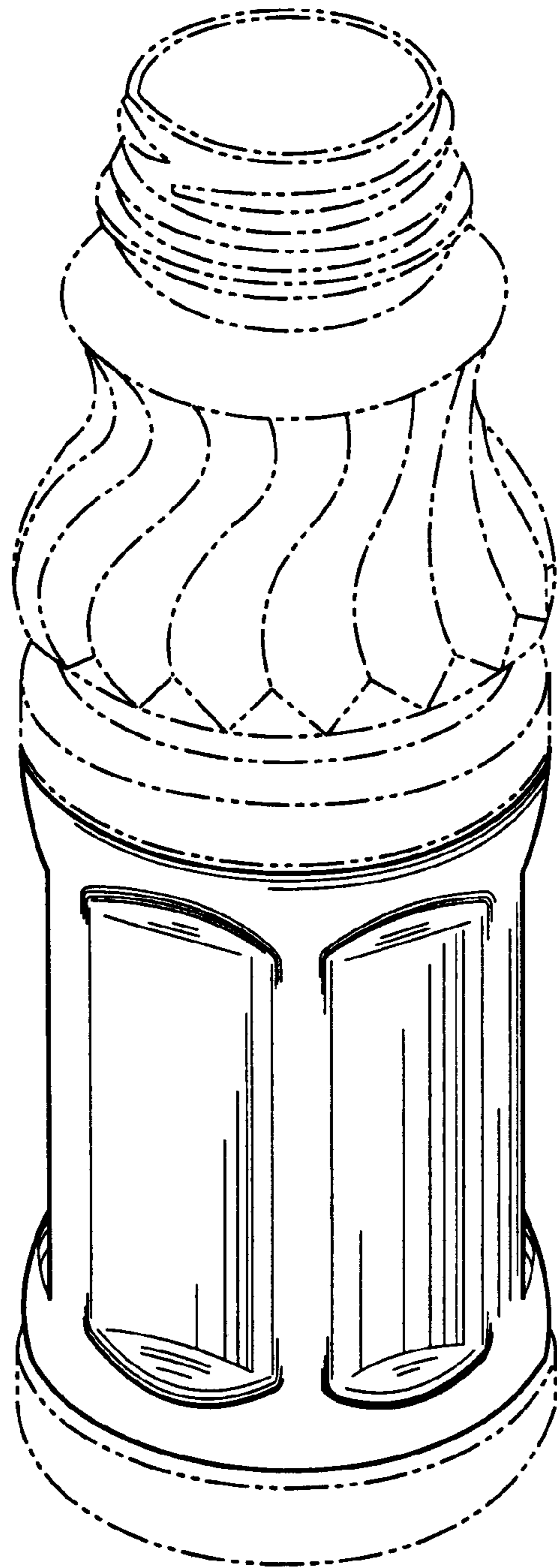


Fig. 1

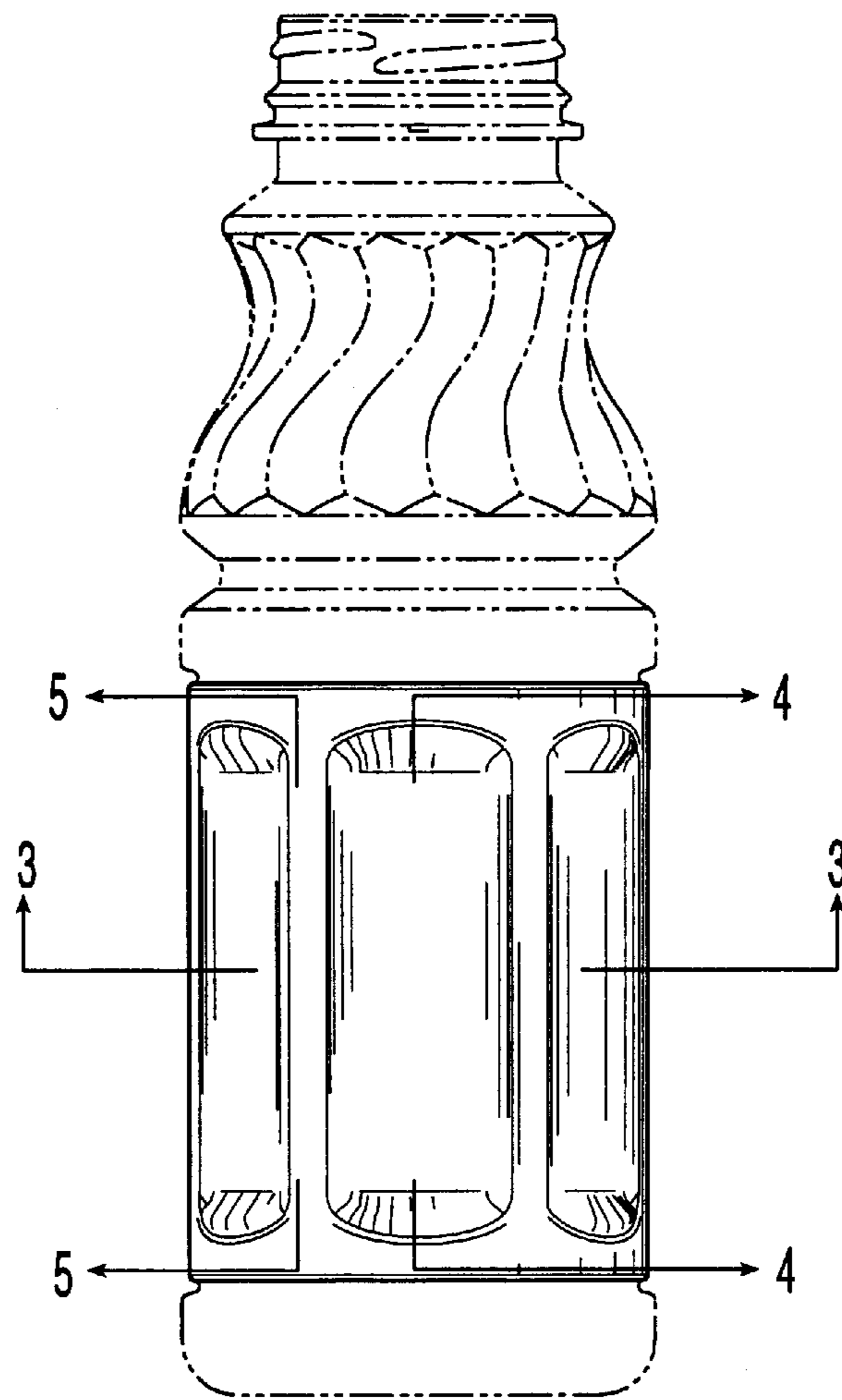


Fig. 2

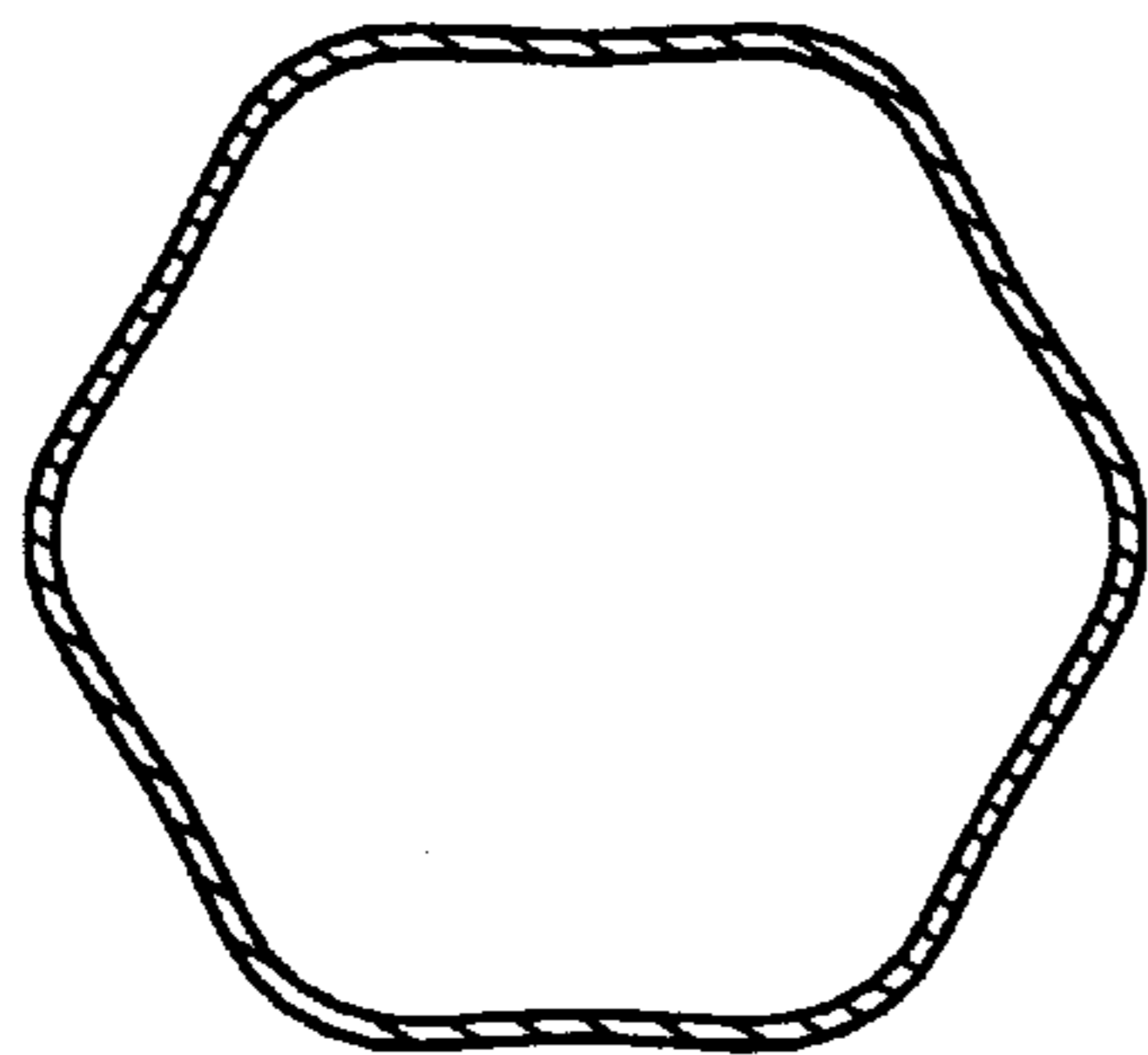


Fig. 3



Fig. 4



Fig. 5