

US00D507970S

(12) **United States Design Patent** (10) **Patent No.:** **US D507,970 S**
Bonaldes et al. (45) **Date of Patent:** **** Aug. 2, 2005**

(54) **BOTTLE**

(75) Inventors: **Cristina E. Bonaldes**, Union, NJ (US);
Charles D. Denton, Columbia, PA
(US); **Heath A. Doty**, St. Louis, MO
(US); **Bryan Holmes**, Maplewood, NJ
(US); **Marc Hunter**, Clayton, MO
(US); **Victoria Noble**, Mahwah, NJ
(US); **Randal D. Porter**, Norcross, GA
(US); **Kim Sines**, Glen Ridge, NJ (US);
John E. Smethers, Summit, NJ (US);
Russell Wright, Warwick, NY (US)

(73) Assignee: **Warner-Lambert Company LLC**,
Morris Plains, NJ (US)

(**) Term: **14 Years**

(21) Appl. No.: **29/187,336**

(22) Filed: **Jul. 30, 2003**

(51) **LOC (8) Cl.** **09-01**

(52) **U.S. Cl.** **D9/516; D9/530; D9/541**

(58) **Field of Search** D9/516, 523, 527-531,
D9/537-543, 560-561, 563-564, 570-572,
574-575; 215/381-385, 396, 398, 400;
222/206, 212-213, 215

(56) **References Cited**

U.S. PATENT DOCUMENTS

D279,167 S * 6/1985 Haney et al. D9/540
4,993,565 A * 2/1991 Ota et al. 215/384
D318,798 S * 8/1991 Biesecker D9/540

D319,011 S * 8/1991 Biesecker D9/540
D319,584 S * 9/1991 Biesecker D9/540
D382,807 S * 8/1997 Silvers et al. D9/543 X
D390,114 S * 2/1998 Young D9/520
D429,152 S * 8/2000 Lane D9/434
D432,920 S * 10/2000 Johnson et al. D9/543
6,277,321 B1 * 8/2001 Vaillencourt et al. 264/529
D467,813 S * 12/2002 Silvers et al. D9/538
D472,814 S * 4/2003 Wright D9/530
D472,816 S * 4/2003 Wright D9/543

* cited by examiner

Primary Examiner—Carol Rademaker

(74) *Attorney, Agent, or Firm*—Kenneth G. Lemke; Evan J. Federman

(57) **CLAIM**

The ornamental design for a bottle, as shown and described.

DESCRIPTION

FIG. 1 is a top, front, and left side perspective of the bottle; FIG. 2 is a top, rear, and left side perspective thereof; FIG. 3 is a front elevational view thereof; FIG. 4 is a right side elevational view thereof; FIG. 5 is a rear elevational view thereof; and, FIG. 6 is a sectional view of the bottle taken along line 6—6 of FIG. 4.

The dash-dash-dash lines shown in the drawings show the boundary of the claimed design.

The dash-dot-dash lines shown in the drawings are for environmental purposes only and form no part of the claimed design.

1 Claim, 6 Drawing Sheets

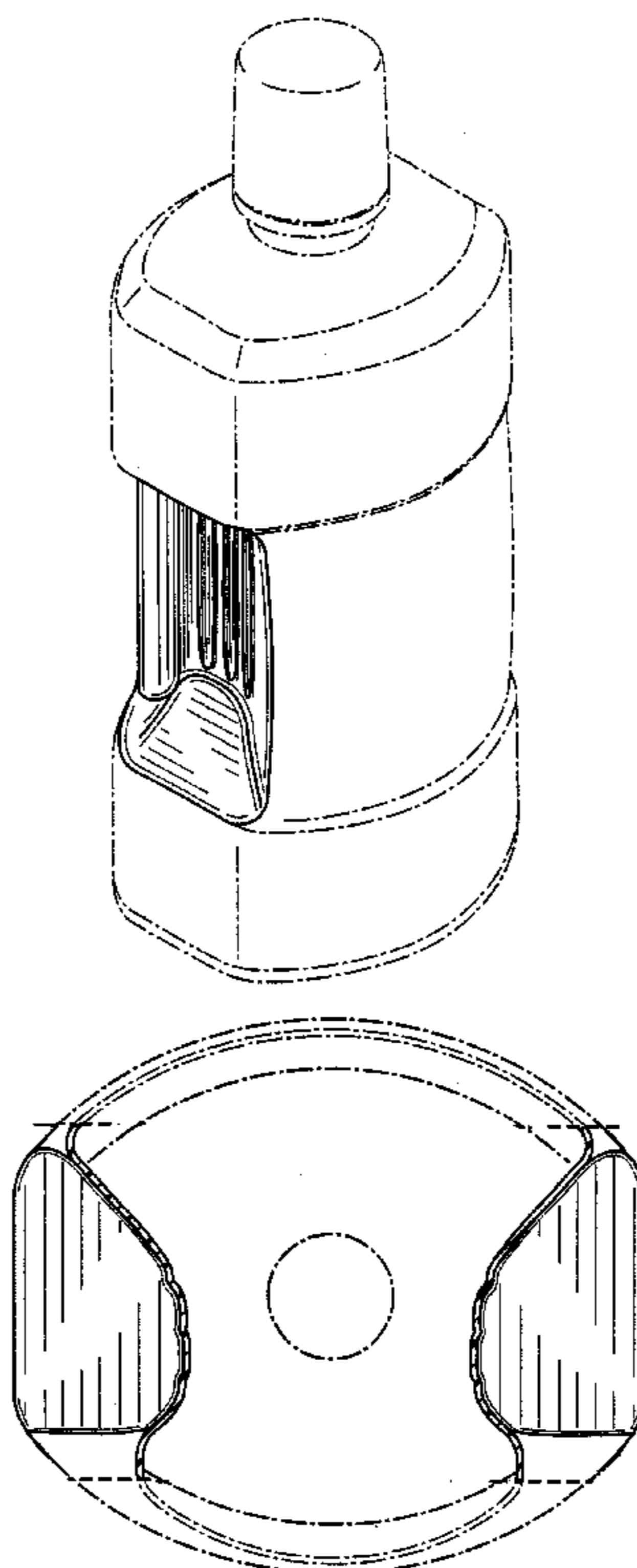


FIG. 1

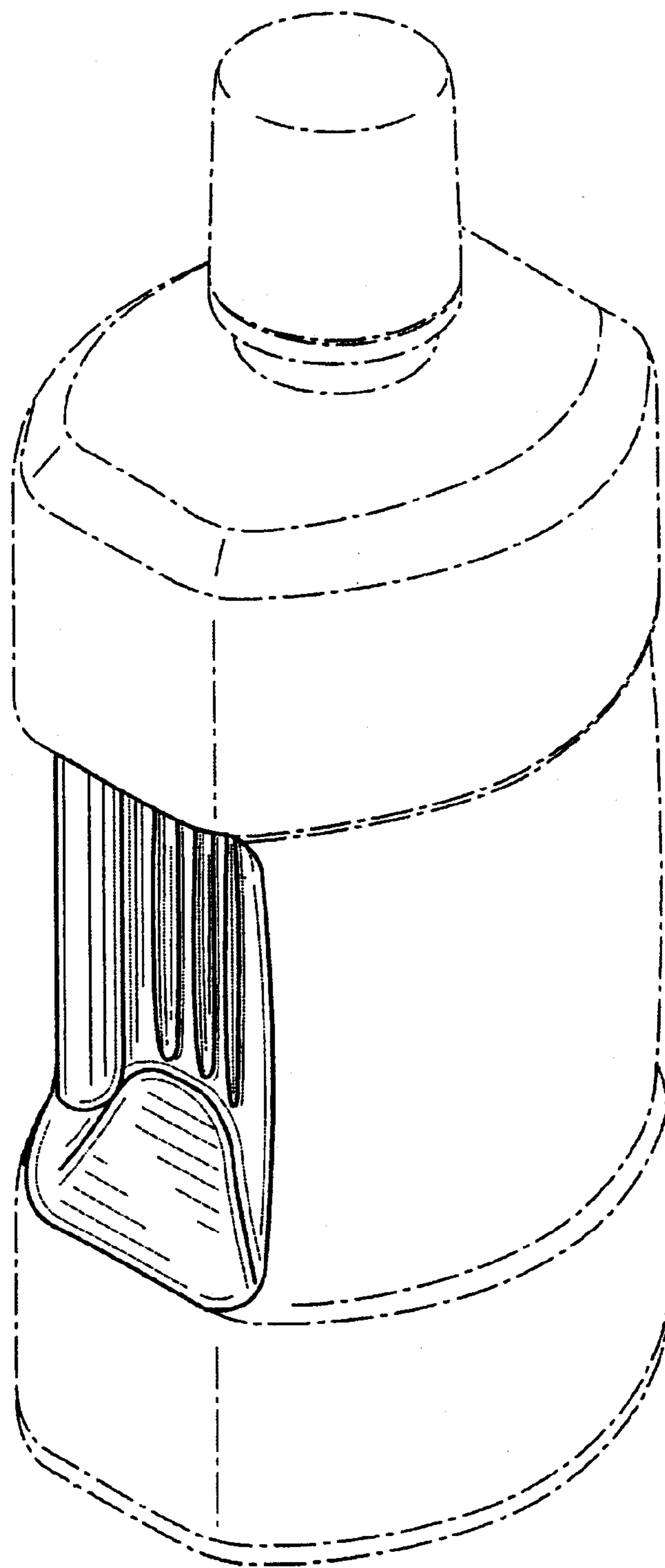


FIG. 2

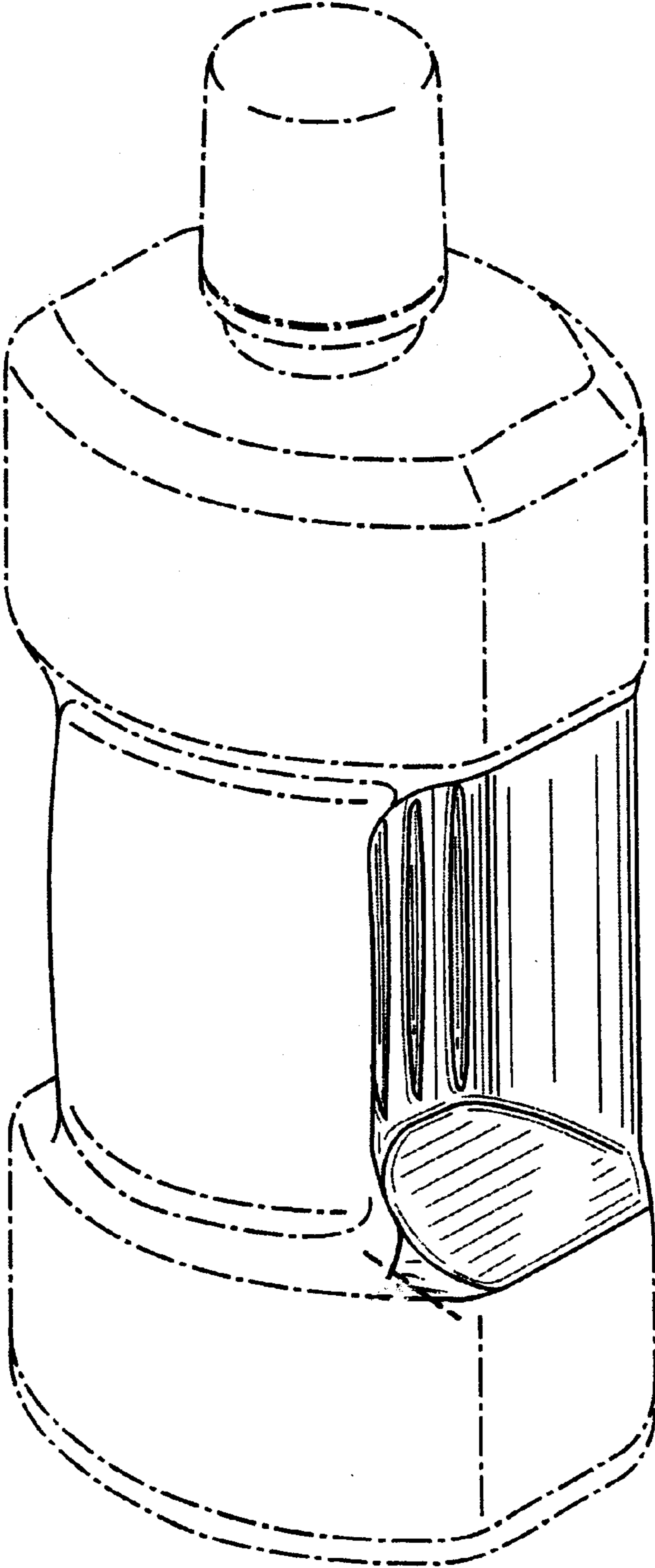


FIG. 3

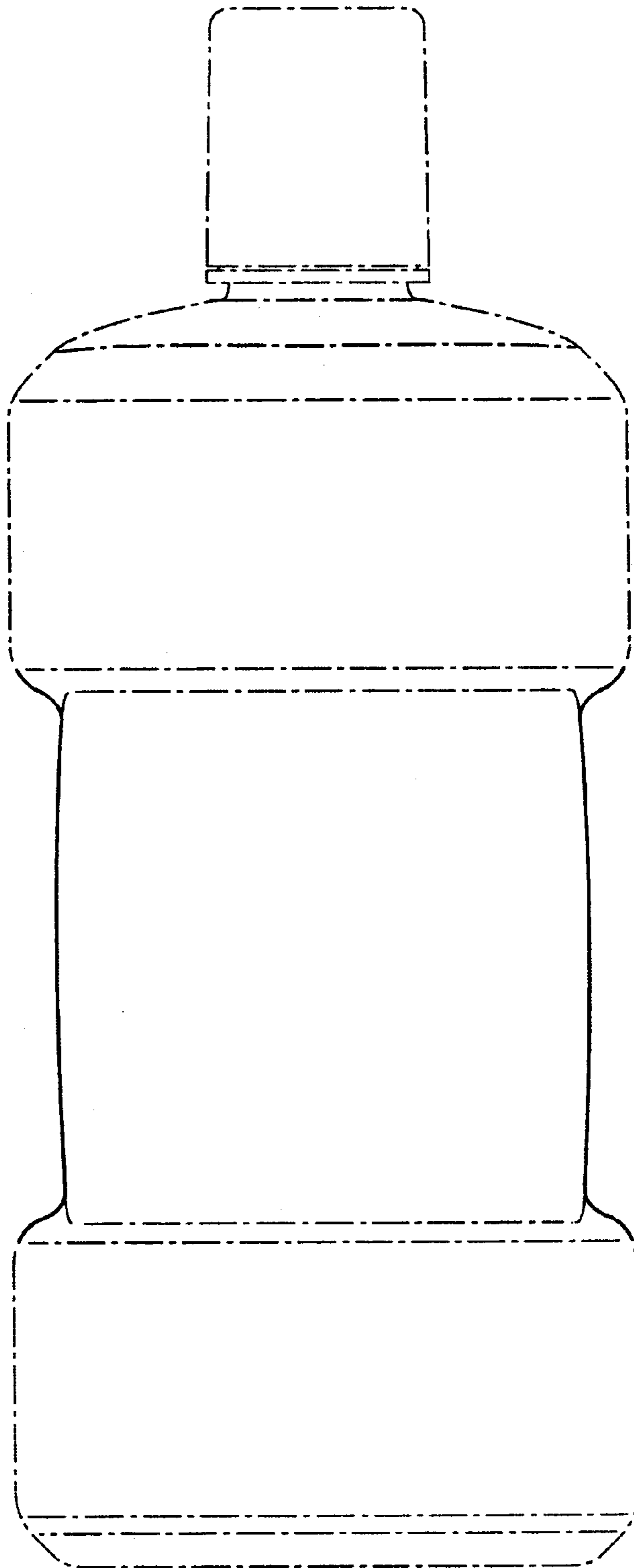


FIG. 4

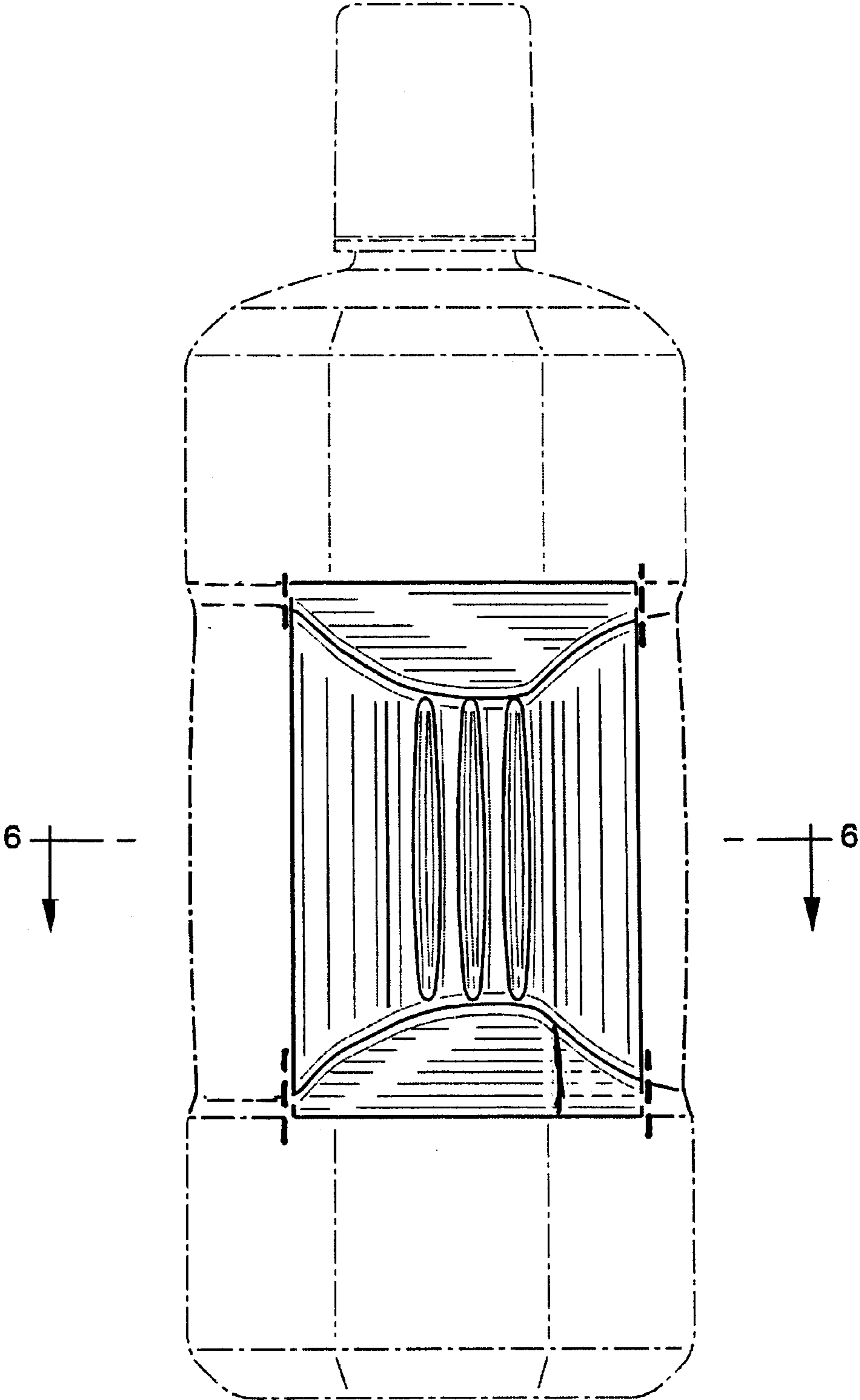


FIG. 5

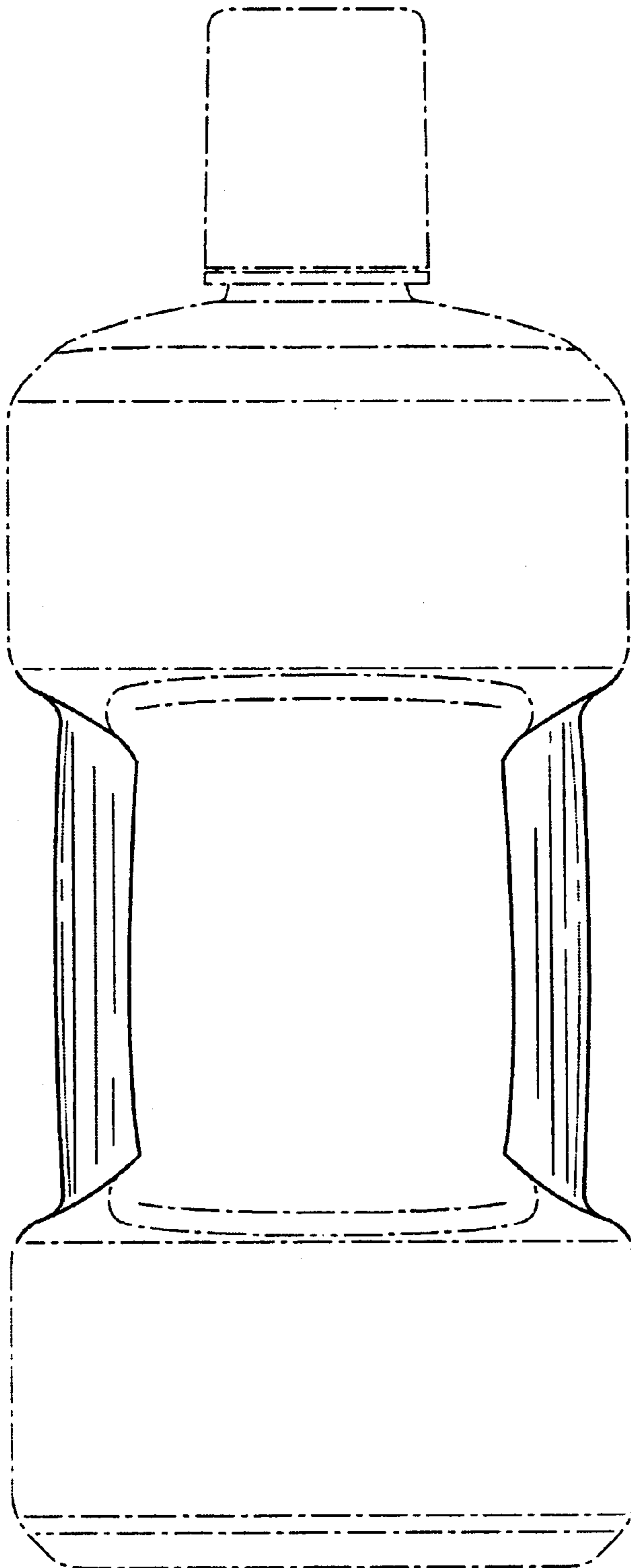


FIG. 6

