

US00D507969S

(12) **United States Design Patent**
Novakovich et al.

(10) **Patent No.:** **US D507,969 S**
(45) **Date of Patent:** **** Aug. 2, 2005**

(54) **ERGONOMIC HANDLE**

(76) Inventors: **Jeffrey P. Novakovich**, 8216 E. Camino Adele, Scottsdale, AZ (US) 85255; **John E. Mosca**, 8217 E. Camino Adele, Scottsdale, AZ (US) 85255; **Ronald W. Riley**, 36623 N. Romping Rd., Carefree, AZ (US) 85377

(**) Term: **14 Years**

(21) Appl. No.: **29/208,179**

(22) Filed: **Jun. 25, 2004**

(51) **LOC (8) Cl.** **09-07**

(52) **U.S. Cl.** **D9/434**

(58) **Field of Search** D9/434, 433, 432; 220/528; 229/117.16, 117.9, 117.17, 103, 103.3, 116.1, 5.5, 906, 122; 294/171, 137

(56) **References Cited**

U.S. PATENT DOCUMENTS

874,515 A	12/1907	Lorenz	
1,819,142 A	8/1931	Wily	
2,004,396 A	6/1935	Sage	
2,367,371 A	* 1/1945	Painter	40/310
2,846,134 A	8/1958	Moubayed	
3,688,935 A	9/1972	Owen et al.	
D239,919 S	* 5/1976	Wilson	D9/434
4,871,264 A	10/1989	Robbins, III et al.	
D317,246 S	6/1991	Driscoll	
D325,156 S	* 4/1992	Sweeny	D9/434
5,257,845 A	11/1993	McConnell	

5,658,029 A	8/1997	Franko	
D442,085 S	* 5/2001	Bozlee	D9/434
6,234,946 B1	5/2001	Fricano	
D451,390 S	* 12/2001	Bozlee	D9/434
6,378,925 B1	* 4/2002	Greenlee	294/171
D498,141 S	* 11/2004	Burr et al.	D9/434

* cited by examiner

Primary Examiner—Robert M. Spear
Assistant Examiner—Susan Bennett Hattan
(74) *Attorney, Agent, or Firm*—Steptoe & Johnson LLP; Tyson York Winaski

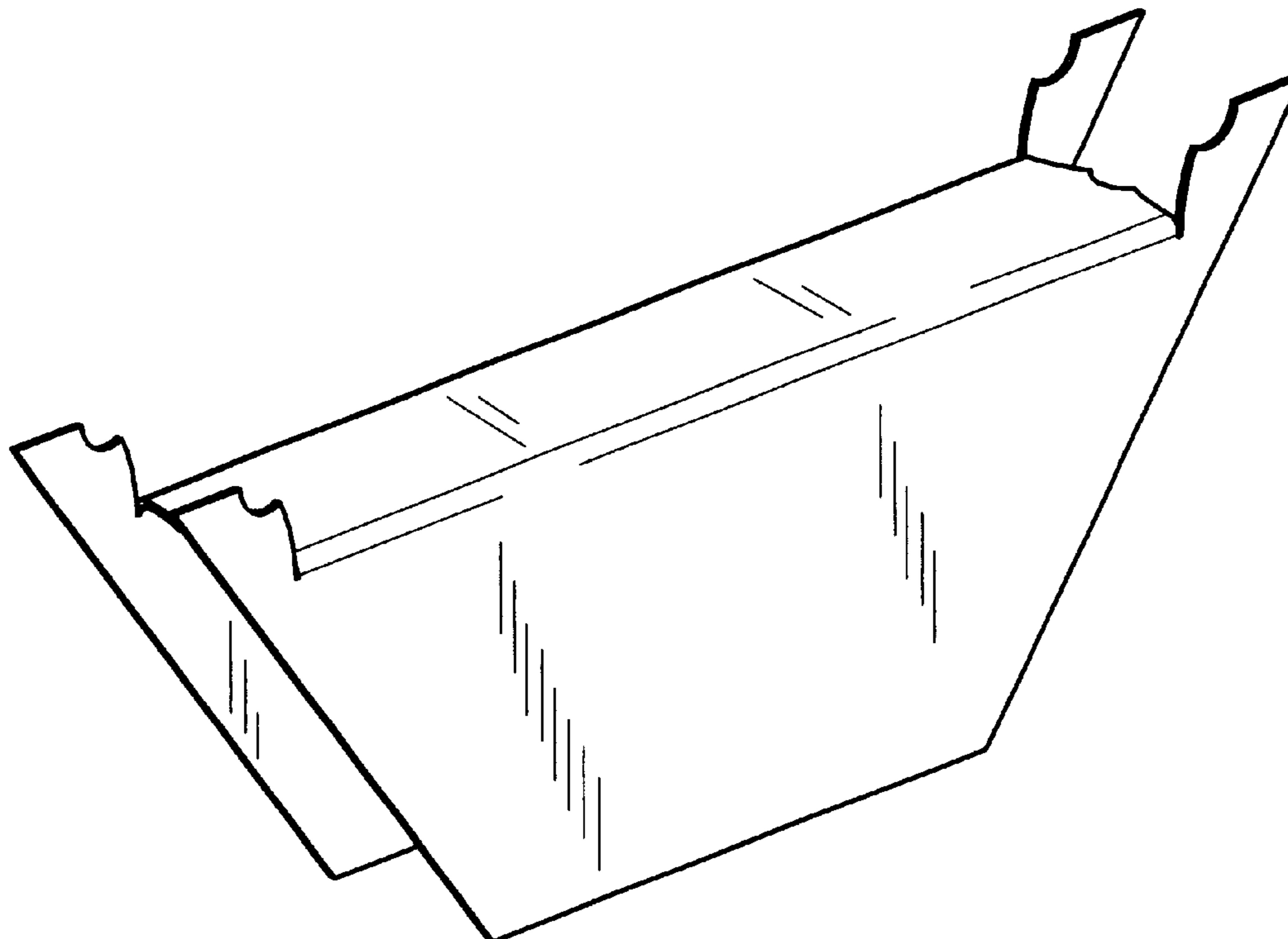
(57) **CLAIM**

The ornamental design for a ergonomic handle, as shown and described.

DESCRIPTION

FIG. 1 illustrates a bottom isometric view of an ergonomic handle in a folded configuration;
FIG. 2 illustrates a top isometric view thereof;
FIG. 3 illustrates a top view of the ergonomic handle in an unfolded configuration;
FIG. 4 illustrates an edge view thereof;
FIG. 5 illustrates a left end view of the ergonomic handle in an open configuration;
FIG. 6 illustrates a top view thereof;
FIG. 7 illustrates a side view thereof;
FIG. 8 illustrates a bottom view thereof; and,
FIG. 9 illustrates a right end view thereof.

1 Claim, 3 Drawing Sheets



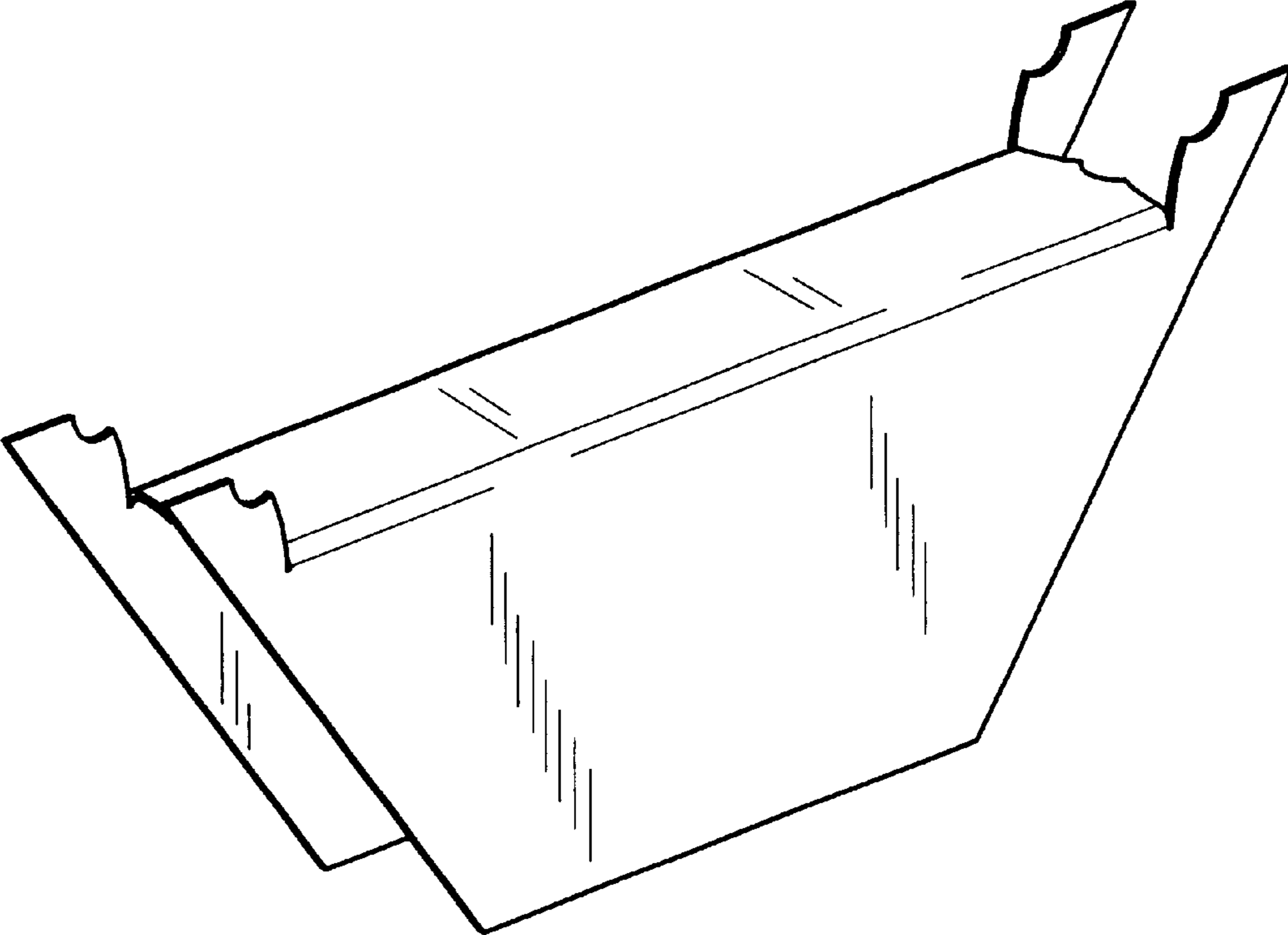


FIG. 1

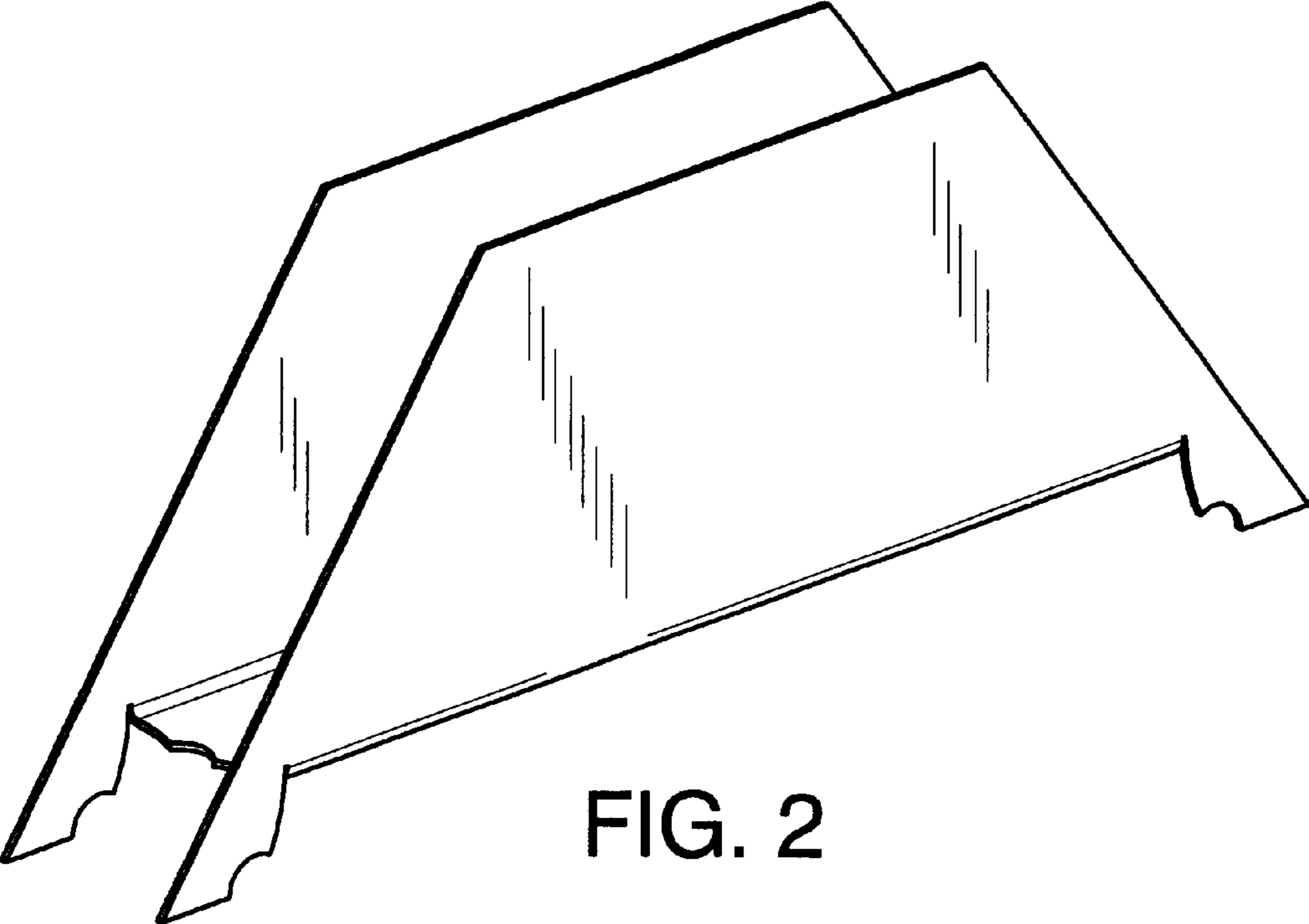


FIG. 2

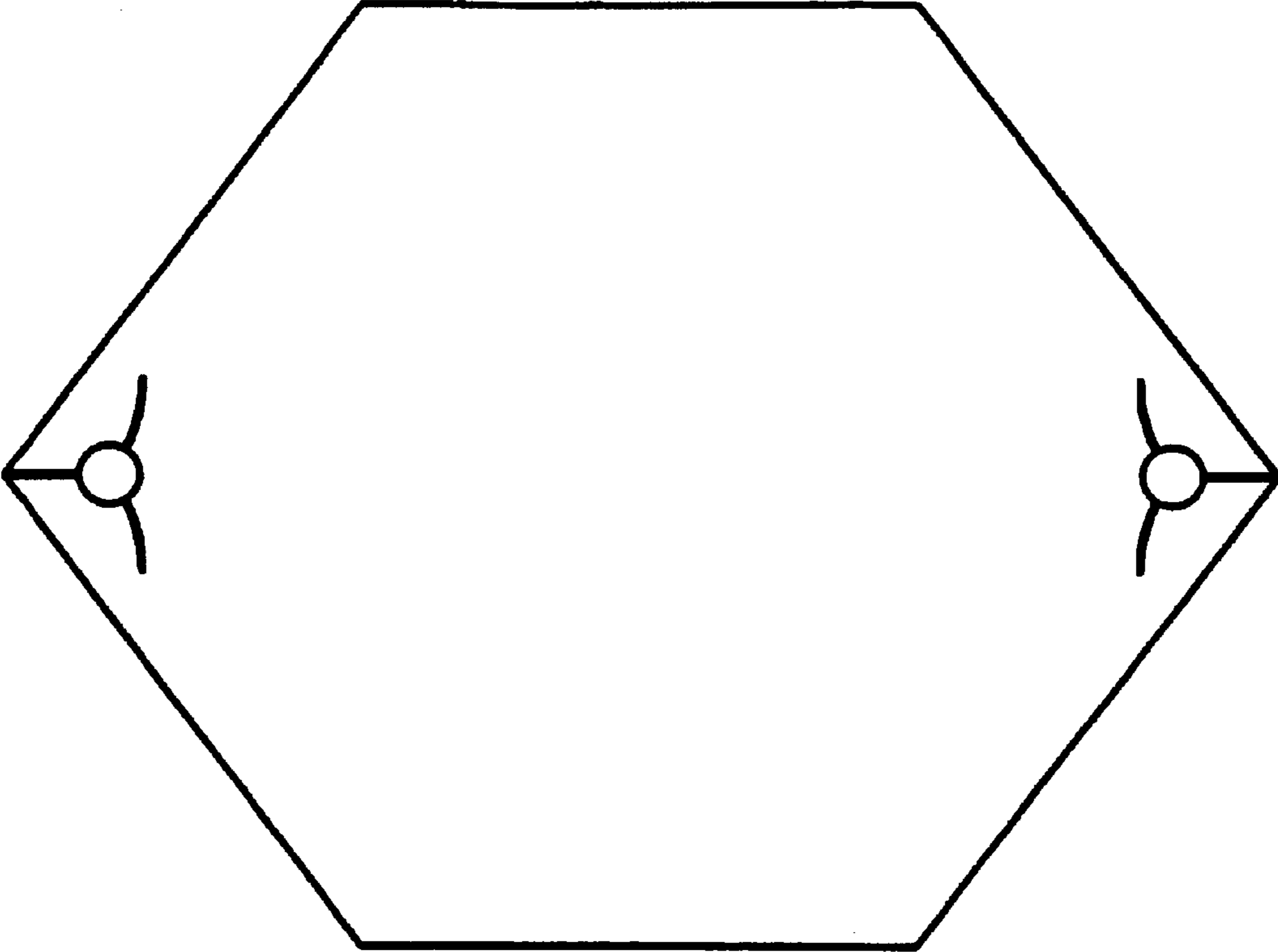


FIG. 3



FIG. 4



FIG. 5

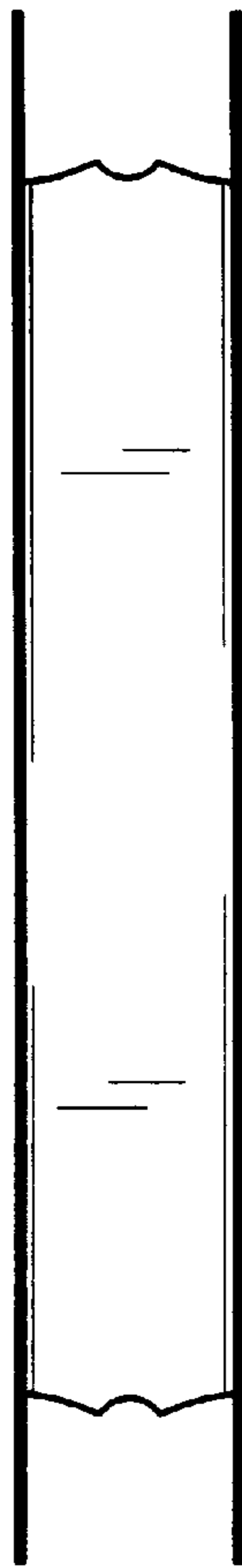


FIG. 6

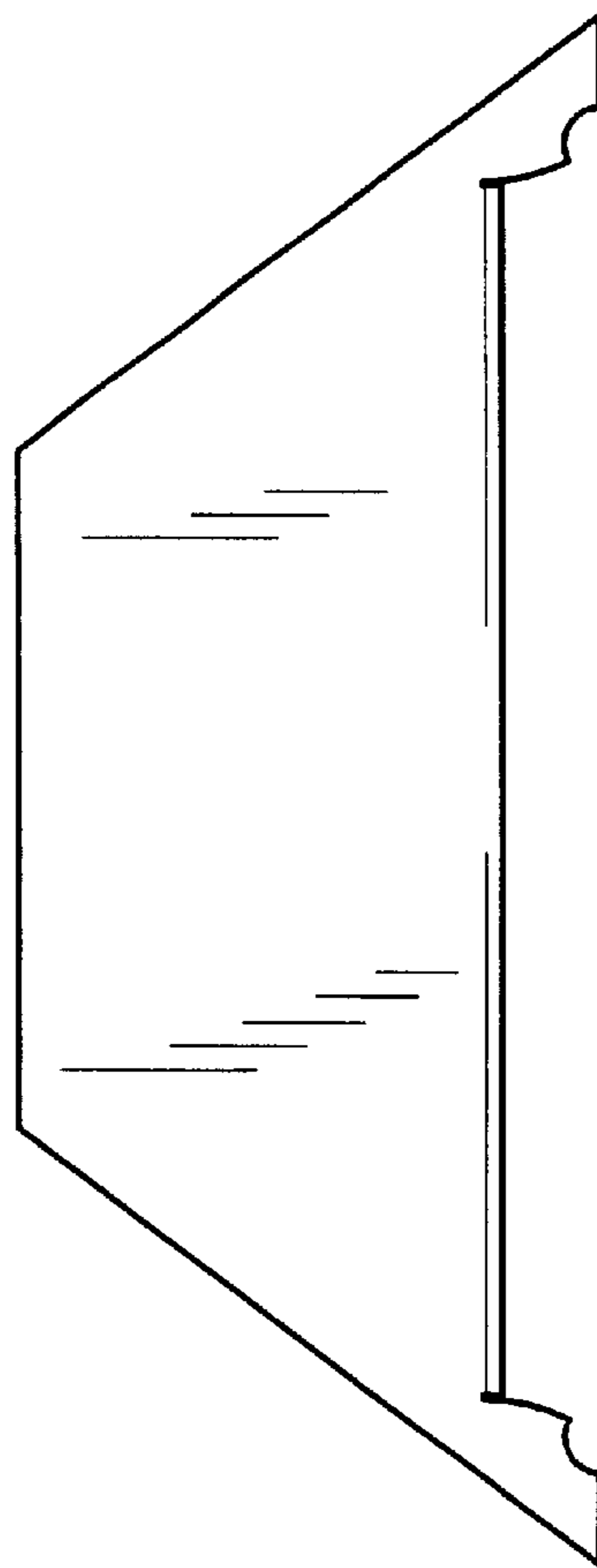


FIG. 7

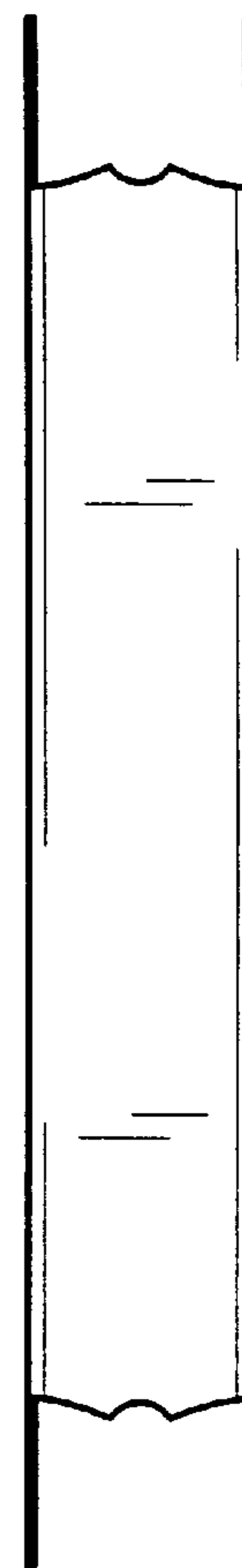


FIG. 8



FIG. 9