

US00D507968S

(12) **United States Design Patent** (10) **Patent No.:** **US D507,968 S**  
**Dixon et al.** (45) **Date of Patent:** **\*\* Aug. 2, 2005**

- (54) **FOOD CONTAINER ASSEMBLY** 3,833,143 A 9/1974 Starkermann et al.  
 4,113,098 A 9/1978 Howard  
 (75) Inventors: **Keith Antonio Dixon**, Flanders, NJ 4,126,224 A 11/1978 Laauwe et al.  
 (US); **Allen McDowell**, South Yorkshire 4,295,565 A 10/1981 Takeuchi  
 (GB) 4,301,917 A 11/1981 Ancell  
 4,691,456 A 9/1987 Ackeret  
 (73) Assignee: **Kraft Foods Holdings, Inc.**, Northfield, 4,898,195 A 2/1990 Sussman  
 IL (US) 5,038,932 A 8/1991 Sheu  
 (\*\*) Term: **14 Years** 5,080,222 A \* 1/1992 McNary ..... 206/1.5  
 5,275,291 A \* 1/1994 Sledge ..... 206/531

(Continued)

(21) Appl. No.: **29/201,429**

(22) Filed: **Mar. 15, 2004**

(51) **LOC (8) Cl.** ..... **09-07**

(52) **U.S. Cl.** ..... **D9/422; D9/424**

(58) **Field of Search** ..... D9/420-424, 414,  
 D9/730; D3/201, 298, 901, 905; 220/345.2,  
 23.2, 345.3, 351, 354.4, 253, 8, 811, 812;  
 206/216, 538, 539, 540, 828, 581, 541;  
 D7/602, 629; 221/307-310

(56) **References Cited**

**U.S. PATENT DOCUMENTS**

- 161,225 A 3/1875 Hall  
 476,353 A 6/1892 Allred  
 806,985 A 12/1905 Mallory  
 828,151 A 8/1906 Upjohn  
 1,451,279 A 4/1923 Strietelmeier  
 1,658,496 A 2/1928 Qvarnstrom  
 1,958,101 A \* 5/1934 Duell ..... 221/246  
 1,988,134 A \* 1/1935 Nitardy ..... 206/534.1  
 2,064,241 A 12/1936 Batdorf  
 2,083,356 A 6/1937 Batdorf  
 2,093,508 A 9/1937 Batdorf  
 2,102,508 A 12/1937 Romig  
 2,295,747 A 9/1942 Mills  
 2,463,586 A 3/1949 Anderson  
 D161,225 S 12/1950 Westrate  
 2,534,100 A 12/1950 Baumgartner  
 3,362,564 A 1/1968 Mueller  
 3,421,658 A 1/1969 Cooksey  
 3,567,071 A 3/1971 Benson  
 3,610,466 A 10/1971 Raybois

**FOREIGN PATENT DOCUMENTS**

- EP 0232 674 B1 12/1986  
 JP 2000-272622 10/2000  
 WO WO 02/06135 A1 1/2002  
 WO WO 03/097483 A2 11/2003  
 WO WO 03/106283 A1 12/2003

**OTHER PUBLICATIONS**

Product Sample, Lip Lickers, "Pink Bubble Gum Lip Balm," ©1987, Fragrance Marketing Group, Minnetonka, Minnesota 55343 USA, four images.

*Primary Examiner*—Prabhakar Deshmukh

(74) *Attorney, Agent, or Firm*—Fitch, Even, Tabin & Flannery

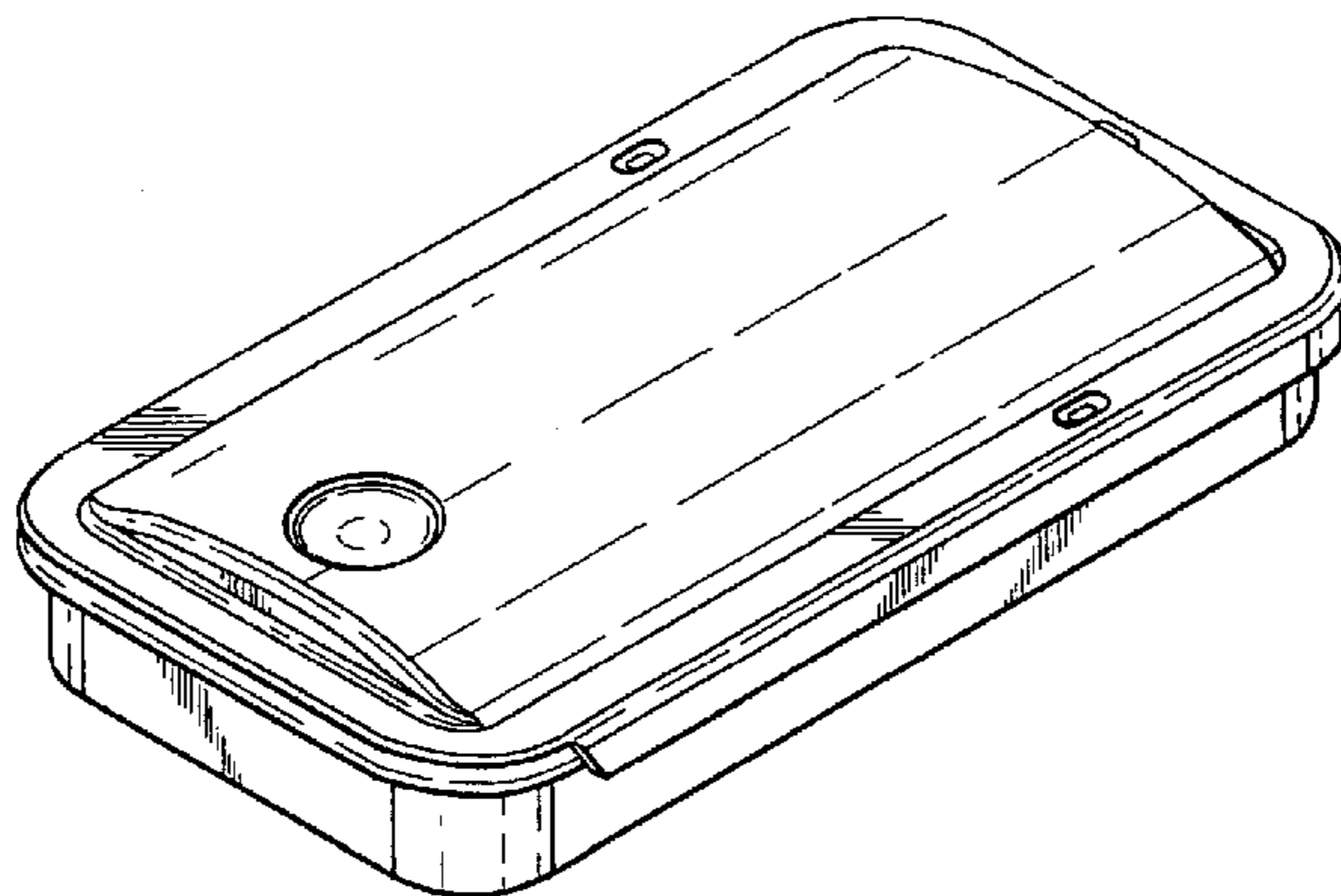
(57) **CLAIM**

The ornamental design for a food container assembly, as shown and described.

**DESCRIPTION**

FIG. 1 is a perspective view of a food container assembly showing the new design;  
 FIG. 2 is top plan view thereof;  
 FIG. 3 is a bottom plan view thereof;  
 FIG. 4 is a side elevational view thereof, the opposite side elevational view being the same;  
 FIG. 5 is an end view thereof; and,  
 FIG. 6 is an opposite end view thereof.

**1 Claim, 3 Drawing Sheets**



# US D507,968 S

Page 2

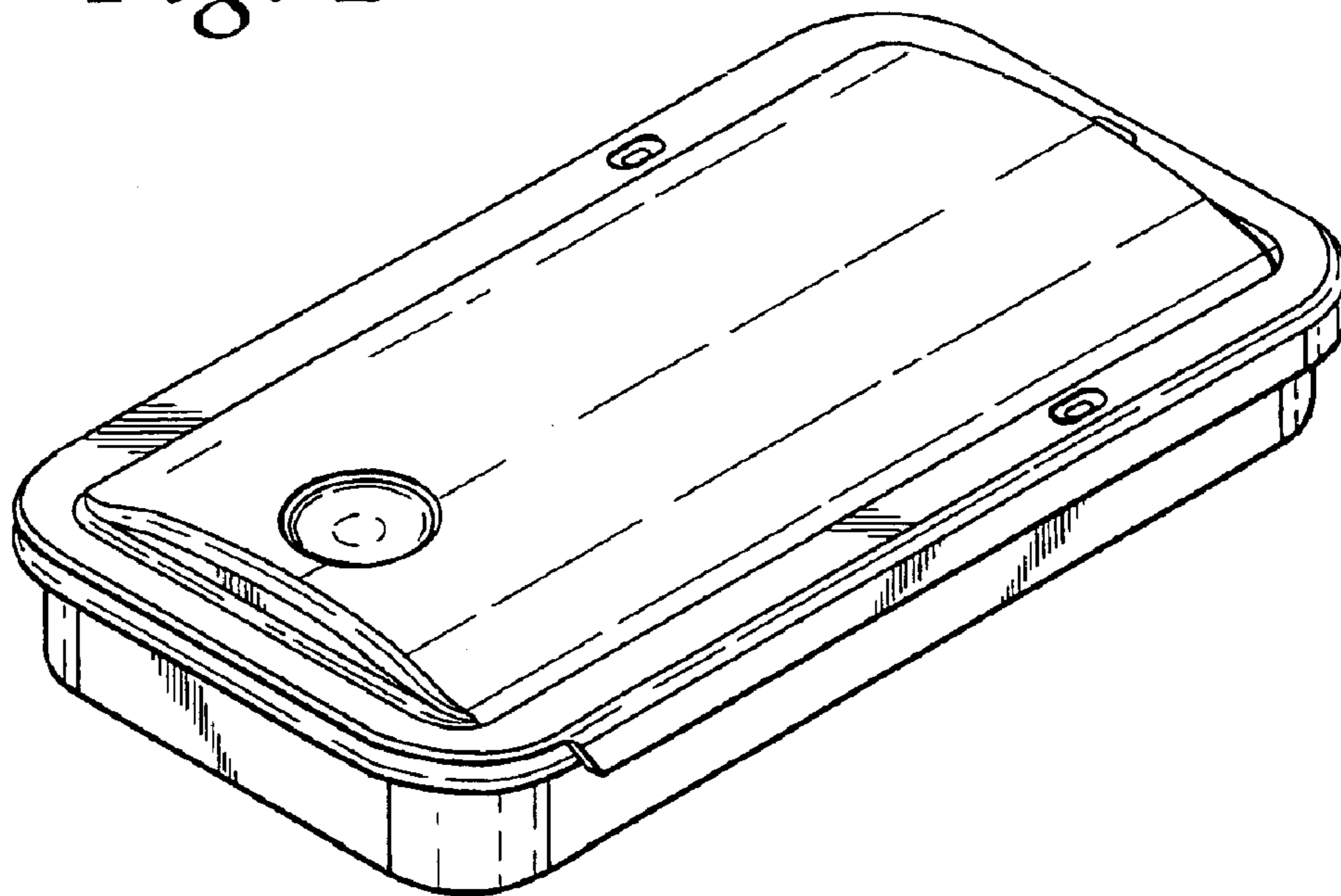
---

## U.S. PATENT DOCUMENTS

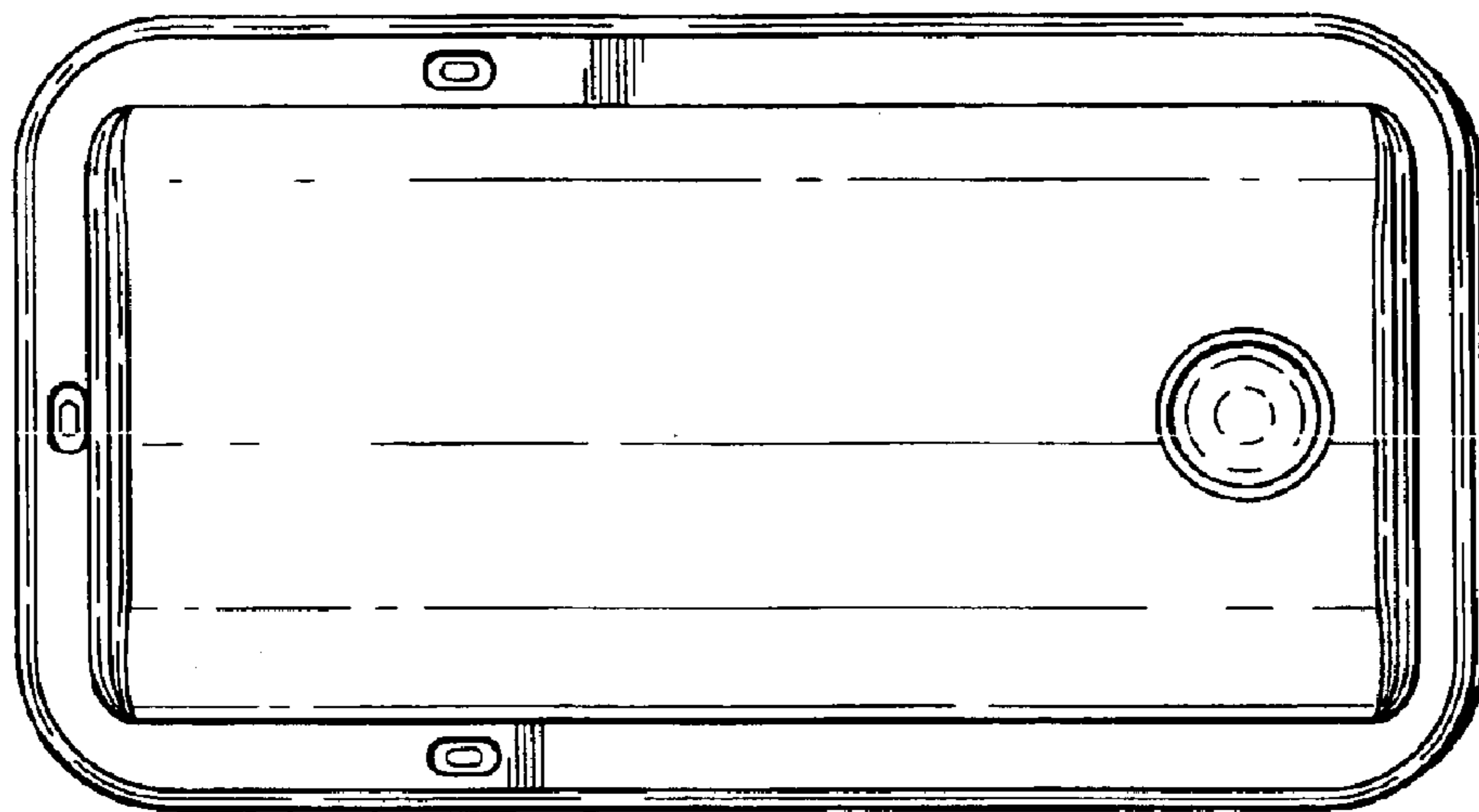
5,285,897 A	*	2/1994	Ozaki	.....	206/387.12	D433,940 S	11/2000	Lindsay et al.
D352,895 S		11/1994	Loo			D446,718 S	8/2001	Anderson
D371,723 S		7/1996	Hirao			D465,729 S	11/2002	Nishimura
D373,725 S	*	9/1996	Weil	.....	D9/422	D469,607 S	2/2003	Wolff
D390,781 S	*	2/1998	Neusy	.....	D9/422	D479,462 S	* 9/2003	Chan ..... D9/422
5,878,887 A		3/1999	Parker et al.			6,637,431 B2	* 10/2003	Ekelius et al. .... 128/203.15
D407,972 S		4/1999	Hilton			D484,409 S	12/2003	Haggerty et al.
D422,460 S		4/2000	Haner et al.			D485,749 S	1/2004	Zaksenberg et al.
D423,301 S		4/2000	Haner et al.			6,672,471 B2	1/2004	Cross
D423,302 S		4/2000	Haner et al.			D498,139 S	* 11/2004	Haggerty et al. .... D9/417
D432,911 S		10/2000	Clarke et al.			2002/0139802 A1	10/2002	Cross

\* cited by examiner

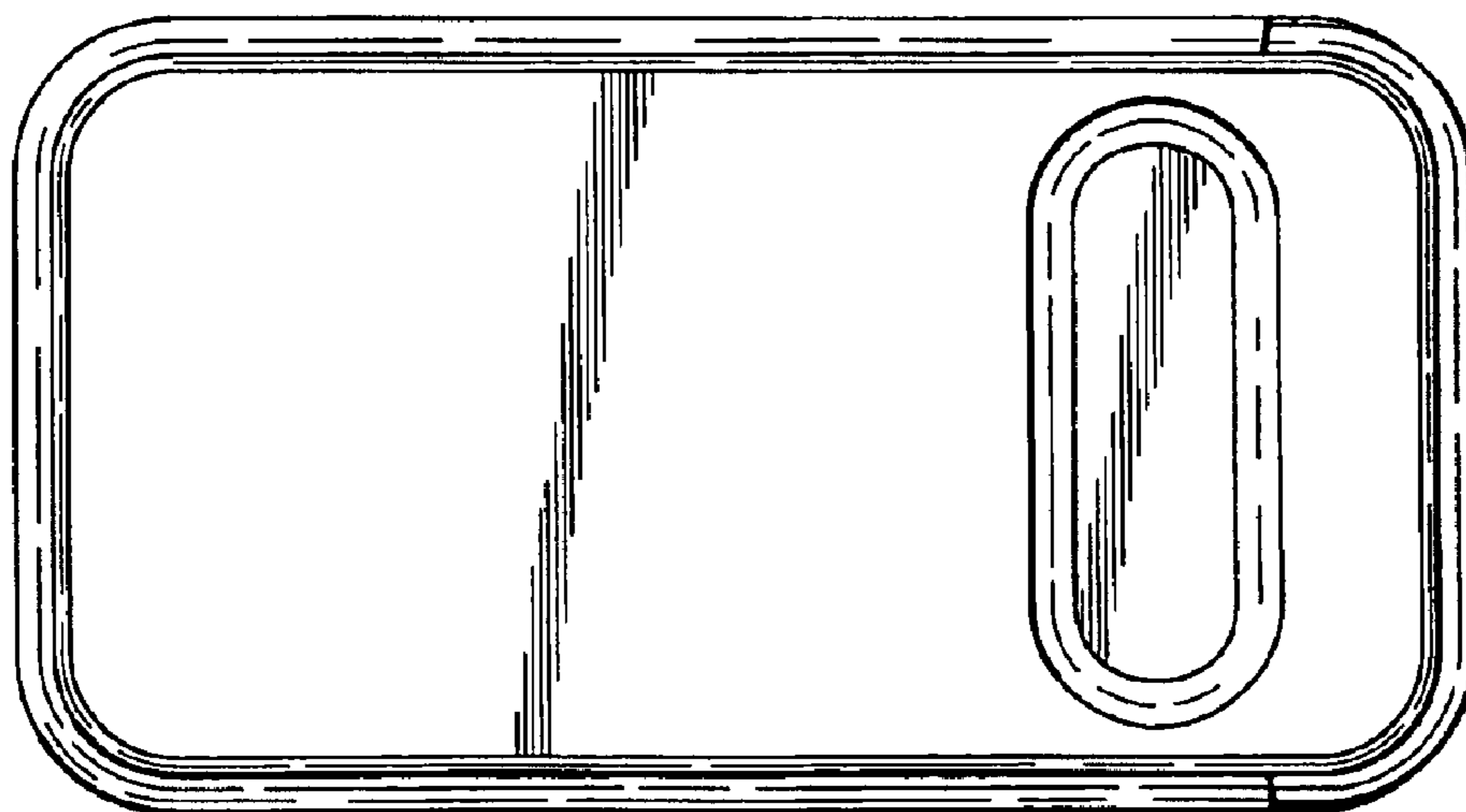
*Fig. 1*



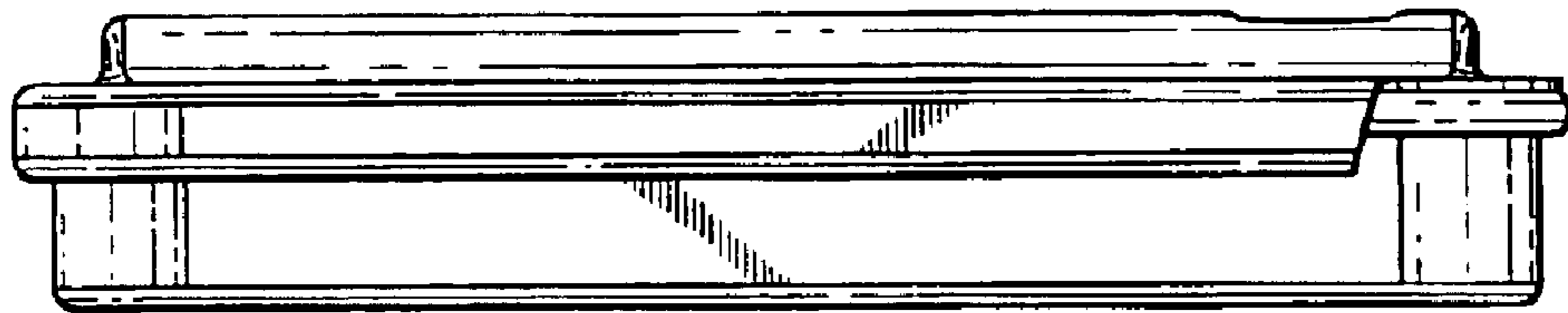
*Fig. 2*



*Fig. 3*



*Fig. 4*



*Fig. 5*



*Fig. 6*

